



US00D353091S

United States Patent [19]
Mumford

[11] **Patent Number: Des. 353,091**
[45] **Date of Patent: ** Dec. 6, 1994**

[54] **COMBINATION FOOD TRAY AND TRASH CONTAINER**

[76] **Inventor: Lee W. Mumford, 601 St. Christopher's Rd., Richmond, Va. 23226**

[**] **Term: 14 Years**

[21] **Appl. No.: 10,489**

[22] **Filed: Jul. 12, 1993**

[52] **U.S. Cl. D9/346; D9/433**

[58] **Field of Search D9/341-348, D9/416, 433, 418, 456; 229/904, 1.5 H; 206/562, 563, 557**

[56] **References Cited**

U.S. PATENT DOCUMENTS

D. 176,455	12/1955	Gentry	D9/346
D. 305,205	12/1989	Grindrod et al.	D9/418
D. 306,828	3/1990	Schuster	D9/418
3,181,770	5/1965	Coe	229/904 X
3,730,419	5/1973	Botterman et al.	229/904 X
4,156,484	5/1979	Wischusen	229/904 X
5,301,871	4/1994	Gross et al.	229/1.5 H

OTHER PUBLICATIONS

Modern Packaging—1967, p. 27 Parkway Package.

Primary Examiner—Prabhakar G. Deshmukh
Attorney, Agent, or Firm—B. Parker Livingston, Jr.

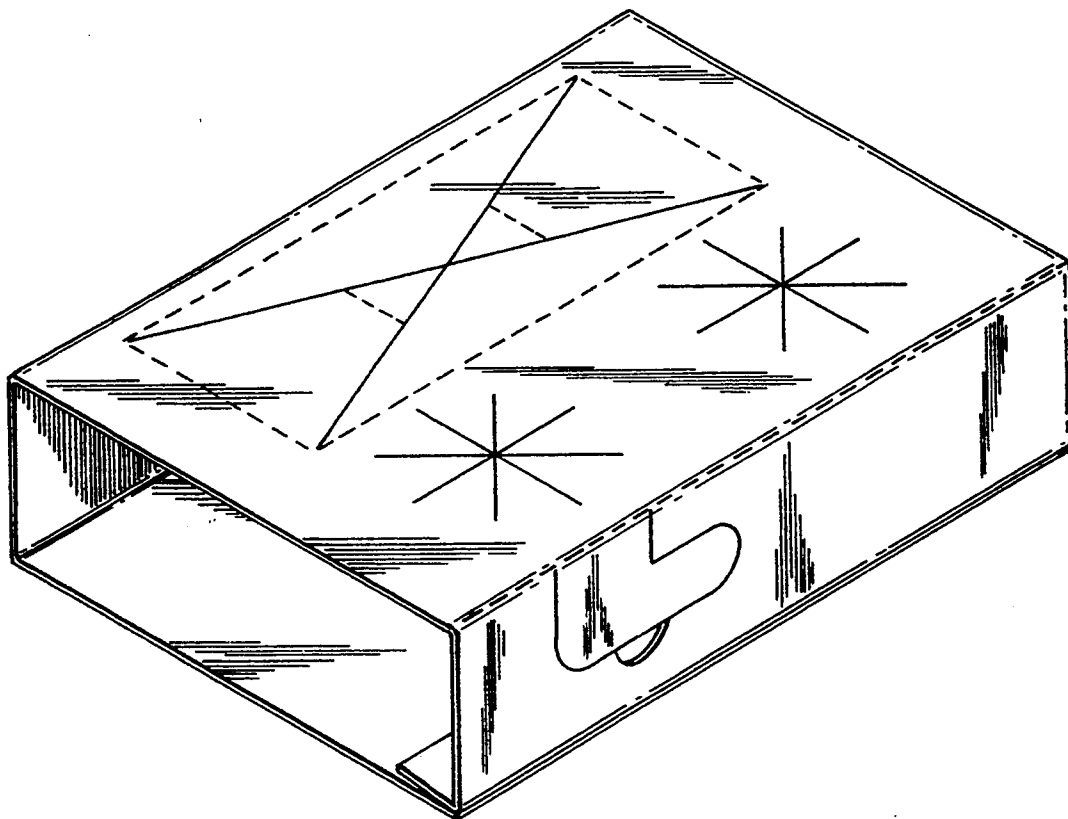
[57] **CLAIM**

An ornamental design for a combination food tray and trash container, as shown and described.

DESCRIPTION

FIG. 1 is a perspective view of a combination food tray and trash container showing my new design; FIG. 2 is a top plan view thereof; FIG. 3 is a right side elevational view thereof; FIG. 4 is a bottom plan view thereof; FIG. 5 is a left side elevational view thereof; FIG. 6 is a rear elevational view thereof; FIG. 7 is a front elevational view thereof; FIG. 8 is a perspective view thereof; with perforations shown in their open positions for clarity of illustration; and, FIG. 9 is a perspective view thereof; shown in an alternate position; with its flap shown in an open position for clarity of illustration.

The broken line showing of a support in FIG. 9 is for illustrative purpose only and forms no part of the claim. Other broken lines represent break lines.



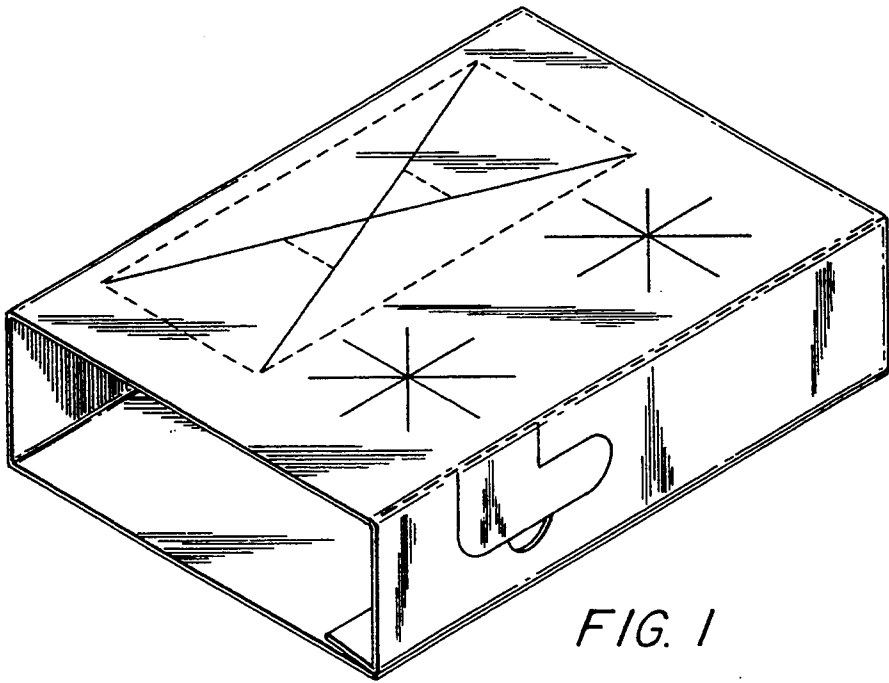


FIG. 1

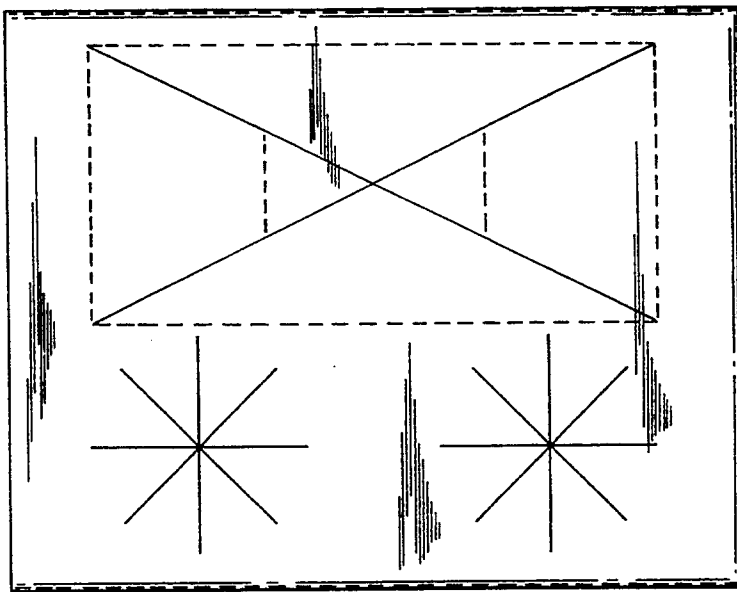


FIG. 2

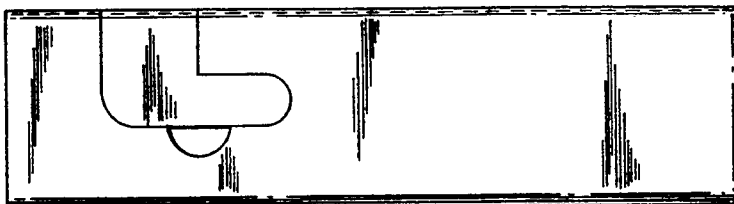


FIG. 3

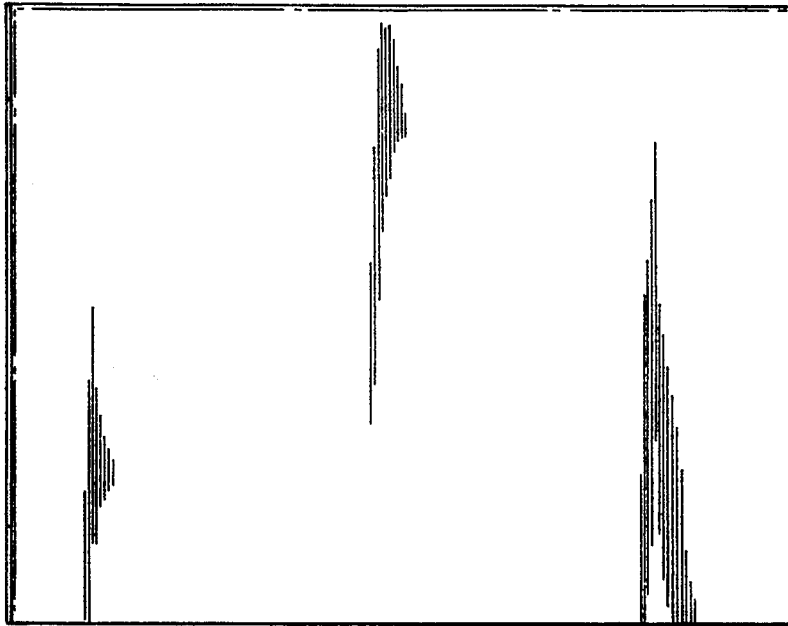


FIG. 4



FIG. 5

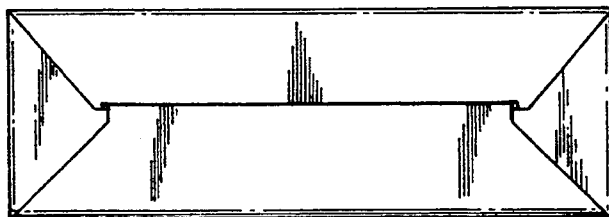


FIG. 6

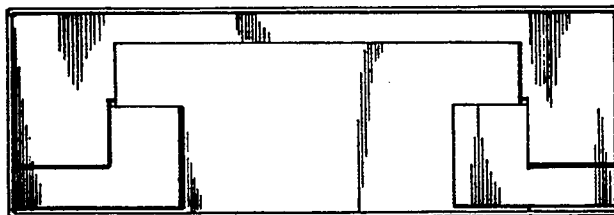


FIG. 7

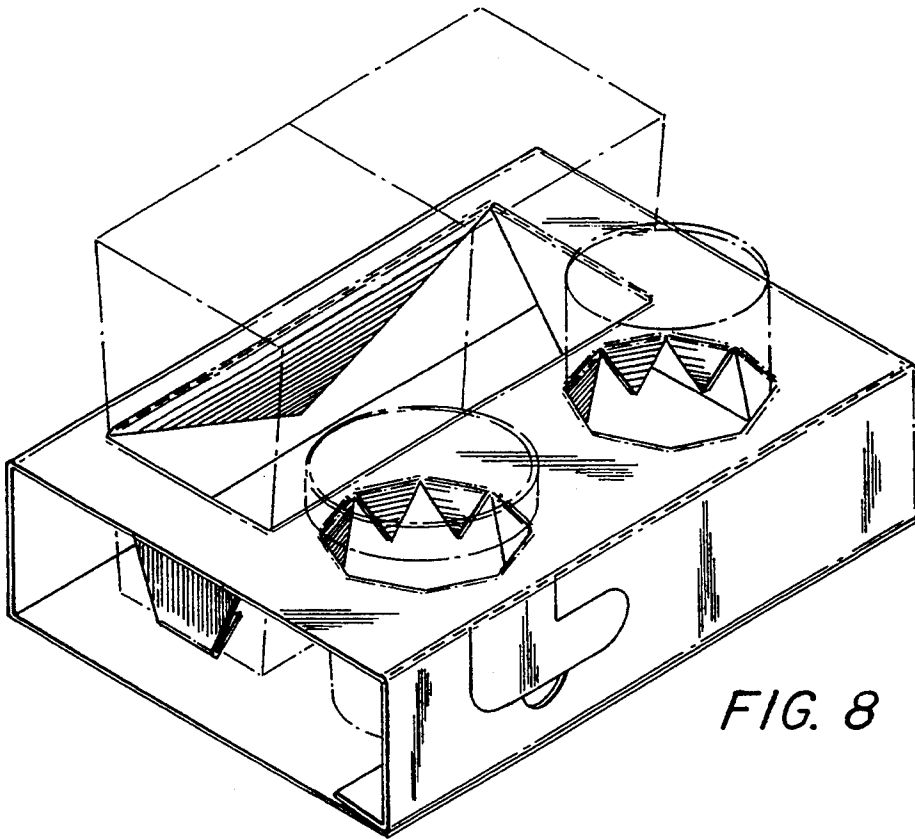


FIG. 8

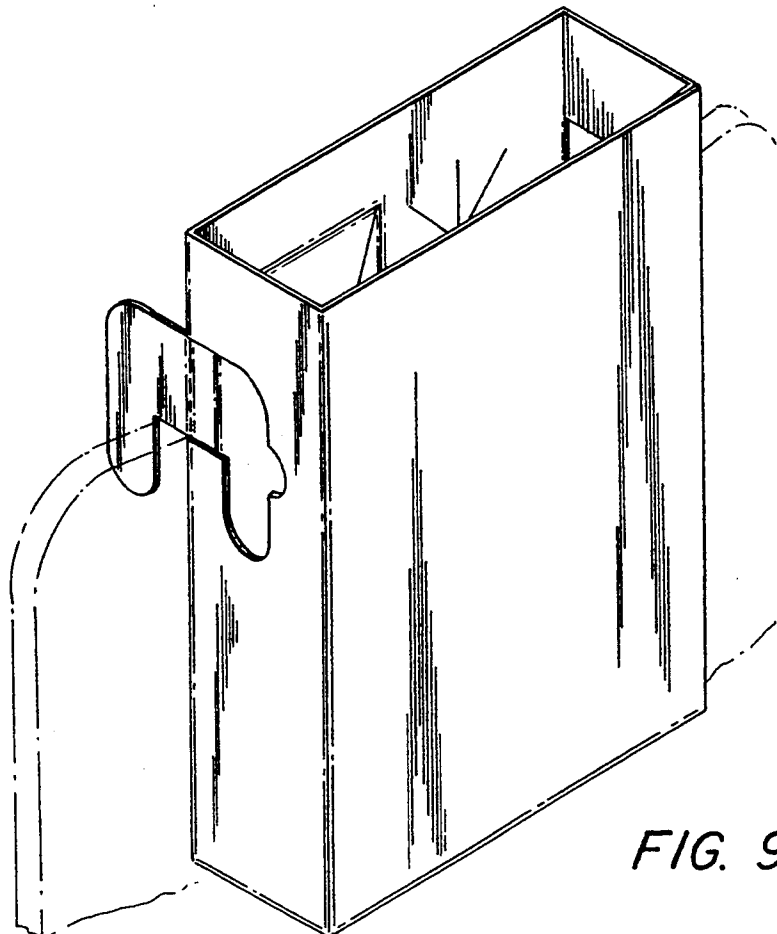


FIG. 9