

(19) World Intellectual Property Organization
International Bureau



(43) International Publication Date
13 November 2003 (13.11.2003)

PCT

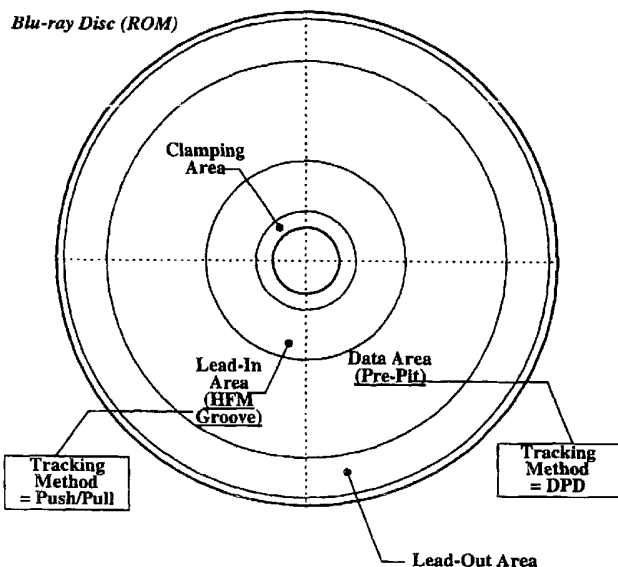
(10) International Publication Number
WO 03/094158 A1

- (51) International Patent Classification⁷: **G11B 7/007** Guemgok-dong, Boondang-gu, Sunghnam-si, Kyunggdo 463-717 (KR).
- (21) International Application Number: PCT/KR03/00867
- (22) International Filing Date: 30 April 2003 (30.04.2003)
- (25) Filing Language: English
- (26) Publication Language: English
- (30) Priority Data:
 - 10-2002-0023983 1 May 2002 (01.05.2002) KR
 - 10-2002-0054705 10 September 2002 (10.09.2002) KR
 - 10-2002-0077358 6 December 2002 (06.12.2002) KR
- (71) Applicant: **LG ELECTRONICS INC.** [KR/KR]; 20, Yoido-dong, Youngdungpo-gu, Seoul 150-010 (KR).
- (72) Inventors: **KIM, Jin-Yong**; 109-602, Seonkyung Apt., Yatap-dong, Bundang-gu, Seongnam, Kyunggi-do 463-928 (KR). **PARK, Kyung-Chan**; 75-201, Hyundai Apt., Apgujung-dong, Kangnam-gu, Seoul 135-110 (KR). **SUH, Sang-Woon**; 110-709, Hyundai Apt., 1346, Seocho 2-dong, Seocho-gu, Seoul 137-861 (KR). **SHIN, Yun-Sup**; 811-1403, Daewon Apt., Chungsol Maeul,
- (74) Agent: **PARK, Lae-Bong**; 1Fl., Dongun Bldg., 413-4, Dook 2-dong, Kangnam-gu, Seoul 135-272 (KR).
- (81) Designated States (*national*): AE, AG, AL, AM, AT, AU, AZ, BA, BB, BG, BR, BY, BZ, CA, CH, CN, CO, CR, CU, CZ, DE, DK, DM, DZ, EC, EE, ES, FI, GB, GD, GE, GH, GM, HR, HU, ID, IL, IN, IS, JP, KE, KG, KP, KZ, LC, LK, LR, LS, LT, LU, LV, MA, MD, MG, MK, MN, MW, MX, MZ, NI, NO, NZ, OM, PH, PL, PT, RO, RU, SC, SD, SE, SG, SK, SL, TJ, TM, TN, TR, TT, TZ, UA, UG, UZ, VC, VN, YU, ZA, ZM, ZW.
- (84) Designated States (*regional*): ARIPO patent (GH, GM, KE, LS, MW, MZ, SD, SL, SZ, TZ, UG, ZM, ZW), Eurasian patent (AM, AZ, BY, KG, KZ, MD, RU, TJ, TM), European patent (AT, BE, BG, CH, CY, CZ, DE, DK, EE, ES, FI, FR, GB, GR, HU, IE, IT, LU, MC, NL, PT, RO, SE, SI, SK, TR), OAPI patent (BF, BJ, CF, CG, CI, CM, GA, GN, GQ, GW, ML, MR, NE, SN, TD, TG).

Published:
— with international search report

[Continued on next page]

(54) Title: HIGH-DENSITY READ-ONLY OPTICAL DISC, AND OPTICAL DISC APPARATUS AND METHOD USING THE SAME BACKGROUND OF THE INVENTION



(57) Abstract: A high-density read-only optical disc, and an optical disc apparatus and method using the same. The apparatus and method record data on a lead-in area of a high-density read-only optical disc such as a BD-ROM (Blu-ray disc ROM (Read Only Memory)) in the form of pre-pit strings associated with an HFM (High-Frequency Modulated) groove applied to a BD-RW (Blu-ray Disc Rewritable). Moreover, the apparatus and method continuously apply the same tracking servo operation to an entire area of the same high-density read-only optical disc or rewritable optical disc. Therefore, the apparatus and method can simplify an algorithm for controlling a plurality of tracking servo operations, and avoid an increased size of the optical disc apparatus.

WO 03/094158 A1



For two-letter codes and other abbreviations, refer to the "Guidance Notes on Codes and Abbreviations" appearing at the beginning of each regular issue of the PCT Gazette.

DESCRIPTION

HIGH-DENSITY READ-ONLY OPTICAL DISC, AND OPTICAL DISC APPARATUS AND METHOD USING THE SAME BACKGROUND OF THE INVENTION

1. TECHNICAL FIELD

The present invention relates to a high-density read-only optical disc on which large-capacity video and audio data are recorded and stored, and an optical disc apparatus and method of using the same.

2. BACKGROUND ART

Recently, standardization of a new high-density rewritable optical disc, which can permanently record and store high-quality video data and audio data, e.g., a BD-RW (Blu-ray Disc Rewritable), is rapidly progressing. It is expected that related products will be developed, presented and commercialized in the near future.

With reference to Fig. 1, the structure of a BD-RW is divided into an inner surface, an intermediate surface and an outer surface. The inner surface includes a clamping area, a transition area, a BCA (Burst Cutting Area) and a lead-in area formed in that order. The intermediate and outer surfaces include a data area and a lead-out area, respectively.

The lead-in area is divided into a first guard-1 sub-area ("Guard 1"), a Permanent Information and Control data sub-area ("PIC"), a second guard-2 sub-area ("Guard 2"), an "Info 2" sub-area, an Optimum Power Control sub-area ("OPC"), etc. The first guard-1 sub-area and the PIC sub-area are pre-recorded areas where data is previously recorded, whereas the lead-in area, the data area and the lead-out area are rewritable areas on which new data is rewritable.

The PIC sub-area is an area on which disc information is

permanently recorded and stored. A HFM (High-Frequency Modulated) groove is formed on the PIC sub-area.

As shown in Fig. 2, the HFM groove has disc data modulated by a bi-phase modulation and stored thereon. For example, if the HFM groove is formed in the form of in-phase patterns in a recording section of 36T, a data value of "1" is recorded on the HFM groove. Further, if the HFM groove is formed in the form of anti-phase patterns in the recording section of 36T, a data value of "1" is recorded on the HFM groove.

A tracking servo for tracking a signal of the HFM groove, recorded on the PIC sub-area, uses the well-known push/pull method. In this case, an optical disc apparatus as shown in Fig. 3 includes a 2-element PD (photodiode) 12 for converting light received through an OL (Objective Lens) 10 and a CL (Collimating Lens) 11 into electric signals E_a and E_b ; and a differential amplifier 13 for carrying out a differential amplification for the electric signals E_a and E_b outputted by the 2-element PD 12 and then outputting a tracking error signal $TE = (E_a - E_b)$.

The optical disc apparatus performs a tracking servo operation by referring to the tracking error signal $TE = (E_a - E_b)$. Moreover, in relation to a wobbled groove formed on the data area and the lead-in area, the optical disc apparatus enables a tracking servo operation for the wobbled groove to be carried out by referring to the tracking error signal $TE = (E_a - E_b)$.

A BD-ROM (Blu-ray disc ROM (Read Only Memory)), in contrast with the above-described BD-RW, is a high-density read-only optical disc. As shown in Fig. 4, a structure of the BD-ROM is divided into an inner surface, an intermediate surface and an outer surface. The inner surface includes a clamping area and a lead-in area. The intermediate and outer

surfaces include a data area and a lead-out area, respectively. The lead-in area has disc information recorded on the basis of an HFM (High-Frequency Modulated) groove as in the BD-RW. The data area and the lead-out area have data in pre-pit strings as
5 in a conventional CD-ROM (Compact Disc-Read Only Memory) or DVD-ROM (Digital Versatile Disc-Read Only Memory).

If the lead-in area of the BD-ROM has the disc information recorded in the HFM groove as in the BD-RW, a tracking servo based on a push/pull method for the HFM groove
10 is required. Simultaneously, another tracking servo based on a DPD (Differential Phase Detection) method for the pre-pit strings recorded on the data area and the lead-out area is also required.

Where only the HFM groove is formed on the lead-in area
15 and the pre-pit data is not recorded on the lead-in area, there is a problem in that concatenated playback of the lead-in area and the data area is cut off because a PLL (Phase Locked Loop) circuit using an RF (Radio Frequency) does not operate.

Fig. 5 is a view illustrating the configuration of a
20 tracking servo based on a DPD (Differential Phase Detection) method, which is applied to a conventional optical disc apparatus.

As shown in Fig. 5, the optical disc apparatus includes a
4-element PD (photodiode) 22 for converting light received
25 through an OL (Objective Lens) 20 and a CL (Collimating Lens) 21 into electric signals Ea, Eb, Ec and Ed; phase detectors (PHs) 26, 27, 28 and 29 for detecting phases of the electric signals Eb, Ed, Ec and Ea; summing amplifiers 23 and 24 for summing the electric signals Eb and Ed outputted from the phase
30 detectors 26 and 27 and the electric signals Ec and Ea outputted from the phase detectors 28 and 29 to generate summed electric signals $E_b + E_d$ and $E_c + E_a$; and a differential amplifier 25 for carrying out a differential amplification for

the summed electric signals $E_b + E_d$ and $E_a + E_c$ outputted by the summing amplifiers 23 and 24 and then outputting a tracking error signal $TE = ((E_a + E_c) - (E_b + E_d))$.

Further, different tracking servo operations, i.e., a tracking servo operation based on a push/pull method and another tracking servo operation based on the DPD method, must be carried out for the same BD-ROM inserted into the optical disc apparatus. As a result, because the conventional optical disc apparatus requires a complex algorithm to control the different tracking servo operations, there is another problem in that a size of the conventional optical disc apparatus increases to accommodate these two tracking servo systems.

3. DISCLOSURE OF INVENTION

It is an object of the present invention to provide an apparatus and method capable of recording data on a lead-in area of a high-density read-only optical disc such as, a BD-ROM (Blu-ray disc ROM (Read Only Memory)) in the form of pre-pit strings associated with an HFM (High-Frequency Modulated) groove, and continuously applying the same tracking servo operation to an entire area of the high-density read-only optical disc or a high-density rewritable optical disc.

In accordance with one aspect of the present invention, the above and other objects can be accomplished by the provision of a high-density read-only optical disc including a lead-in area, a data area and a lead-out area, on which data of pre-pit strings are recorded, wherein the lead-in area has the pre-pit strings continuously formed on a same track line in a predetermined recording section or has the pre-pit strings discontinuously formed on different positions within a same track line in a predetermined recording section.

In accordance with another aspect of the present invention, there is provided a high-density optical disc

apparatus, comprising: photoelectric conversion means for receiving light reflected from an optical disc and outputting a plurality of electric signals; first detection means for carrying out a summing operation and a differential
5 amplification for the outputted electric signals and detecting a tracking error signal based on a push/pull method; second detection means for detecting the outputted electric signals, carrying out a summing operation and a differential operation for electric signals having
10 different phases, and detecting a tracking error signal based on a DPD (Differential Phase Detection) method; and output means for selectively outputting one of the tracking error signals based on the push/pull method and the DPD method detected by the first and second detection means
15 according to a type of the optical disc.

In accordance with yet another aspect of the present invention, there is provided a method for reproducing data from an optical disc, comprising the steps of: (a) converting light reflected from the optical disc into a plurality of electric
20 signals; (b) carrying out a summing operation and a differential amplification for the outputted electric signals and detecting a tracking error signal based on a push/pull method and a tracking error signal based on a DPD (Differential Phase Detection) method; and (c) selecting one of the tracking
25 error signals based on the push/pull method and the DPD method detected by the first and second detection means according to a type of the optical disc and carrying out a tracking servo operation corresponding to the selected tracking error signal.

In accordance with an aspect of the present invention,
30 the above and other objects can be accomplished by the provision of a high-density read-only optical disc including a lead-in area, a data area and a lead-out area, having: a specific area contained in the lead-in area on which pit

strings having a recording pattern of an HFM (High-Frequency Modulated) groove, based on a bi-phase modulation, are formed, wherein the specific area has $2n+1$ (odd) number of spaces and marks or marks and spaces repeatedly formed in a same-level
5 recording section of the HFM groove based on the bi-phase modulation.

In accordance with another aspect of the present invention, the above and other objects can be accomplished by the provision of a high-density read-only optical disc
10 including a lead-in area, a data area and a lead-out area, having: a specific area contained in the lead-in area on which a pit string of a mark and space or a space and mark having a recording pattern of an HFM (High-Frequency Modulated) groove based on a bi-phase modulation, is formed, wherein the HFM
15 groove based on the bi-phase modulation has a level transition point formed on the basis of a center of a space.

4. BRIEF DESCRIPTION OF DRAWINGS

The above and other objects, features and other advantages of the present invention will be more clearly
20 understood from the following detailed description taken in conjunction with the accompanying drawings, in which:

Fig. 1 is a view illustrating the structure of a conventional BD-RW (Blu-ray Disc Rewritable);

Fig. 2 is a view illustrating the shape of an HFM (High-
25 Frequency Modulated) groove formed on a lead-in area of the conventional BD-RW;

Fig. 3 is a view illustrating the configuration of a tracking servo based on a push/pull method, which is applied to an optical disc apparatus for the conventional BD-RW;

30 Fig. 4 is a view illustrating the structure of a conventional BD-ROM (Blu-ray disc ROM (Read Only Memory));

Fig. 5 is a view illustrating the configuration of a

tracking servo based on a DPD (Differential Phase Detection) method, which is applied to a conventional optical disc apparatus;

Fig. 6 is a view illustrating the structure of a BD-ROM
5 (Blu-ray disc ROM (Read Only Memory)) in accordance with an embodiment of the present invention;

Fig. 7 is a view illustrating the shape of pre-pit strings formed on a lead-in area of the BD-ROM in accordance with the present invention; and

10 Fig. 8 is a view illustrating the configuration of a tracking servo based on a push/pull method and a DPD (Differential Phase Detection) method, which is applied to an optical disc apparatus and method using an optical disc.

Figs. 9 to 11 are views illustrating wobbled spaces and
15 marks formed on a PIC (Permanent Information and Control data) sub-area of the BD-ROM in accordance with an embodiment of the present invention.

Figs. 12 to 15 are views illustrating wobbled spaces and
20 marks formed on a PIC (Permanent Information and Control data) sub-area of the BD-ROM in accordance with an embodiment of the present invention.

5. MODES FOR CARRYING OUT THE INVENTION

Hereinafter, preferred embodiments of a high-density read-only optical disc, and an optical disc apparatus and
25 method using the same in accordance with the present invention will be described in detail with reference to annexed drawings.

Fig. 6 is a view illustrating the structure of a BD-ROM (Blu-ray disc ROM (Read Only Memory)) of a high-density read-only optical disc in accordance with an embodiment of the
30 present invention.

Fig. 6 illustrates a structure of the BD-ROM having an inner surface, an intermediate surface and an outer surface,

that is similar to that described above in conjunction with Fig. 4. The inner surface includes a clamping area and a lead-in area. The intermediate and outer surfaces include a data area and a lead-out area, respectively. The data area and the lead-out area have data recorded in pre-pit strings as in a conventional CD-ROM (Compact Disc-Read Only Memory) or DVD-ROM (Digital Versatile Disc-Read Only Memory).

However, unlike conventional read-only optical discs, data in the form of pre-pit strings are recorded and stored on the lead-in area in a manner similar to the HFM groove having pre-recorded data formed in the PIC sub-area of the lead-in area contained on the BD-RW. In other words, the data, in the form of the pre-pit strings, are recorded on the lead-in area of the BD-ROM in a manner to recording data in pre-pit areas on the data area and the lead-out area of the BD-ROM.

An optical disc apparatus for reproducing the data of the pre-pit strings enables a tracking servo operation based on the DPD (Differential Phase Detection) method to be consistently applied to an entire area of the same BD-ROM when inserted into the apparatus. Or more simply, the same servo tracking method may be used in each of the lead-in, data and lead-out areas.

Fig. 7 is a view illustrating the shape of pre-pit strings formed on the lead-in area of the BD-ROM in accordance with the present invention. As shown there, in a pattern of the pre-pit strings formed on the lead-in area, the pre-pit strings can be continuously formed on the same track line in a predetermined recording section. Alternatively, the pre-pit strings can be discontinuously formed on different positions within the same track.

For example, a data sequence having a value of "0101" is recorded on the lead-in area. The length of each bit cell is $36T$, where T corresponds to the length of a Channel bit. A

recording section of 36T has a data value of "0" when six 3T pre-pits are formed on the same track line, whereas another recording section of 36T has a data value of "1" when two strings are formed on different positions within the same track, 5 wherein each of the two strings has three 3T pre-pits. As the pre-pit strings are formed as described above, disc information can be recorded by forming the pre-pit strings as described above, similarly to the HFM groove.

Light reflected from the pre-pit strings, continuously 10 and discontinuously formed on the lead-in area, is converted into electric signals by a 4-element photodiode (not shown), which is applied to a tracking servo based on a conventional DPD method. At this time, the electric signals Ea, Eb, Ec and Ed are applied to a plurality of phase detectors (PHs) 33, 34, 15 35 and 36, first and second summing amplifiers 30 and 31 and a differential amplifier 32. A tracking error signal $TE = ((Ea + EC) - (Eb + Ed))$ is then produced based on the DPD method. The tracking error signal is thereafter outputted from the differential amplifier 32.

20 Thus, a tracking servo operation based on the DPD method for the pre-pit strings can be applied to the lead-in area. The recorded data sequence of "0101" is detected and decoded by filtering a DPD signal in accordance with a corresponding frequency. The optical disc apparatus continuously carries out 25 a tracking servo operation based on the DPD method, such that the optical disc apparatus can appropriately apply the tracking servo operation to an entire area of the BD-ROM. As a result, disc information can be recorded using the pre-pit strings (as in the HFM groove), and the same PLL (Phase Locked Loop) 30 circuit operation can be carried out from the lead-in area to other areas.

Lengths of respective pits formed on the lead-in area can be the same as each other. Alternatively, for example, two or

three types of the lengths of respective pits can be formed on the lead-in area.

Unique patterns or shapes of the pit strings may represent, different values of information. Adjusting the depth of a pit to be shallower or deeper than the depth of " $\lambda/4$ " may be used for detecting a small push/pull signal. For example, the depth of a pit has a value of " $3\lambda/4$ " in the case of the BD-ROM, and the depths of pits of the lead-in area and the data area have different values of " $\lambda/8$ " and " $\lambda/4$ " in the case of the BD-RW, respectively.

The pre-pit strings use a modulation code in the data area. The modulation code is based on a length selected from the group consisting of $2T$, $3T$ or others. A plurality of different data can be additionally recorded on pits.

In a different embodiment, Fig. 8 is a view illustrating the configuration of a tracking servo based on a push/pull method and a DPD (Differential Phase Detection) method, which is applied to an optical disc apparatus and method using an optical disc. The optical disc apparatus in accordance with the present invention enables a tracking servo operation corresponding to the optical disc to be selectively carried out where a BD-RW or a BD-ROM is inserted into the apparatus.

For this, the optical disc apparatus includes an OL (Objective Lens) 50, a CL (Collimating Lens) 51, a 4-element PD (photodiode) 52, a plurality of summing amplifiers 53, 54, 63 and 64, differential amplifiers 55 and 65, and a selection switch 56. The functionalities of components included in the optical disc apparatus will be described in detail.

First, where a BD-RW or BD-ROM is inserted into the optical disc apparatus, light reflected through the OL 50 and the CL 51 is converted into electric signals E_a , E_b , E_c and E_d . In the case of a ROM, the electric signals E_a , E_b , E_c and E_d are applied to the first and second summing amplifiers 53 and

54 and the first differential amplifier 55. As a result, a tracking error signal $TE_DPD = (Ea + Ec) - (Eb + Ed)$ based on the DPD method is detected and outputted.

In the case of a BD-RW (or rewritable case), the electric 5 signals Ea , Eb , Ec and Ed outputted by the 4-element PD 52 are applied to the third and fourth summing amplifiers 63 and 64 and the second differential amplifier 65. As a result, a tracking error signal $TE_P/P = ((Ea + Eb) - (Ec + Ed))$ based on the push/pull method is detected and outputted.

10 Where an optical disc inserted into the apparatus is a BD-ROM, a microcomputer (not shown) and a servo controller (not shown), provided in the optical disc apparatus, control an operation of a selection switch 56 such that the tracking error signal TE_DPD based on the DPD method detected and outputted by 15 the first differential amplifier 55 can be selectively outputted. Otherwise, where an optical disc inserted into the apparatus is a BD-RW, the microcomputer and the servo controller, provided in the optical disc apparatus, control an operation of the selection switch 56 such that the tracking 20 error signal TE_P/P based on the push/pull method detected and outputted by the second differential amplifier 65 can be selectively outputted.

In other words, the tracking servo operation based on the push/pull method is selectively carried out in the case of a 25 BD-RW, whereas the tracking servo operation based on the DPD method is selectively carried out in the case of a BD-ROM.

Where an optical disc apparatus for the BD-ROM is developed and supplied, only the tracking servo operation based on the DPD method as described above can be employed.

30 Another aspect of the invention will be described in detail with reference to Figs. 9 to 11.

A push/pull signal must be continuously detected at wobbled spaces and marks or at spaces and marks repeatedly

formed on the PIC sub-area without cutoff such that major information of the optical disc permanently recorded on the PIC sub-area contained in a lead-in area of the BD-ROM can be correctly decoded.

5 First, the PIC sub-area of the BD-ROM in accordance with the present invention can include pit strings having a recording pattern of a HFM (High-Frequency Modulated) groove based on a bi-phase modulation, wherein the major information is recorded in the form of the pit strings.

10 Moreover, if a HFM groove of in-phase patterns is formed in a recording section of $36T$, a data value of "0" is recorded. Otherwise, if a HFM groove of anti-phase patterns is formed in the recording section of $36T$, a data value of "1" is recorded. At this time, $2n+1$ (odd) number of spaces and marks or marks
15 and spaces are repeatedly formed in the same level section.

For example, as shown in Fig. 9, a space $6T_s$, a mark $6T_m$ and a space $6T_s$ each having a length $6T$ are sequentially and repeatedly formed in $18T$ recording sections of a high recording level corresponding to the data value of "1". Further, a mark
20 $6T_m$, a space $6T_s$ and a mark $6T_m$, each having a length $6T$, are sequentially and repeatedly formed in $18T$ recording sections of a low recording level corresponding to the data value of "1".

That is, the "space, mark, space" or "mark, space, mark" combinations have a predetermined length that are sequentially
25 and repeatedly formed in the $18T$ recording sections. At this time, the sum of space(s) and mark(s) repeatedly formed in the recording section of the low or high recording level is three, i.e., an odd number. Moreover, the spaces or marks are formed at start and end parts of a corresponding recording section.

30 In contrast, a space $4T_s$ and a mark $4T_m$ each having a length $4T$ are sequentially and repeatedly formed in each of $36T$ recording sections of the high recording level corresponding to the data value of "0". Further, a mark $4T_m$ and a space $4T_s$

each having a length $4T$ are sequentially and repeatedly formed in each of $36T$ recording sections of the low recording level corresponding to the data value of "0".

That is, the "space and mark" or the "mark and space" combinations have a predetermined length that are sequentially and repeatedly formed in each of the $36T$ recording sections. At this time, the sum of the spaces and marks repeatedly formed in the recording section of the low or high recording level is nine, i.e., an odd number. Moreover, the spaces or marks are formed at start and end parts of a corresponding recording section.

A space and mark are respectively formed at the left and right of a low-level transition point of the HFM groove based on the bi-phase modulation. A mark and space are respectively formed at the left and right of a high-level transition point of the HFM groove based on the bi-phase modulation, respectively.

For example, as shown in Fig. 9, a space $6T_s$, and a mark $6T_m$ each having a length $6T$, are formed at the left and right of a level transition point Tr_2 directed to an $18T$ recording section of the low recording level from an $18T$ recording section of the high recording level corresponding to the data value of "1", respectively. A mark $6T_m$ of a length $6T$ and a space $4T_s$ of a length $4T$ are respectively formed at the left and right of a level transition point Tr_2 directed to a $36T$ recording section of the high recording level from an $18T$ recording section of the low recording level corresponding to the data value of "1".

A space $4T_s$ of a length $4T$ and a mark $4T_m$ of a length $4T$ are respectively formed at the left and right of a level transition point Tr_3 directed to a $36T$ recording section of the low recording level from a $36T$ recording section of the high recording level. Accordingly, the cutoff of the push/pull

signal detected at the level transition point is minimized.

As shown in Fig. 10, a mark $6T_m$ and a space $6T_s$ each having a length $6T$ are respectively formed at the left and right of a level transition point Tr_4 directed to an $18T$ recording section of the low recording level from an $18T$ recording section of the high recording level corresponding to the data value of "1". Further, a space $6T_s$ of a length $6T$ and a mark $4T_m$ of a length $4T$ are respectively formed at the left and right of a level transition point Tr_5 directed to a $36T$ recording section of the high recording level from an $18T$ recording section of the low recording level corresponding to the data value of "1". At this time, the push/pull signal detected at the level transition point can be cut off and hence a decoding operation cannot be correctly carried out.

It is an advantage that a frequency of the push/pull signal is far away from a frequency of general data signal such that the push/pull signal detected from the wobbled space and mark can be classified and detected more correctly than an RF (Radio Frequency) signal detected from general pre-pit data. Thus, it is preferable that the pit length of a space or mark is short, if possible. For example, the pit length of a space or mark can be $2T$, $3T$ or others.

Moreover, it is preferable that the pit length of the space or mark formed in the same level section of the HFM groove based on the bi-phase modulation is set for an appropriate tracking servo operation such that a DSV (Digital Sum Value) becomes zero or a minimum value.

For example, as shown in Fig. 11, where a space $6T_s$, a mark $6T_m$, and a space $6T_s$, each having a length $6T$, are sequentially formed in the $18T$ recording section of the high recording level corresponding to the data value of "1", the DSV calculated by a conventional equation becomes "+6". However as illustrated in the lower portion of Fig. 11, where a

combination of a space 2Ts or 3Ts of the length 2T or 3T and a mark 2Tm or 3Tm of the length 2T or 3T is formed in the 18T recording section, the DSV becomes "+2". Under these conditions, the tracking servo operation can be more
5 appropriately performed.

It is preferable that a space or mark, having a relatively longer pit length among the spaces and marks of the lengths where the DSV becomes zero or a minimum value, is formed at an end part of the same level section.

10 For example, ten spaces 3Ts or marks 3Tm, and, three spaces 2Ts or marks 2Tm, can be formed in the "36T" recording section of the high recording level corresponding to the data value of "0". Where spaces and marks are formed in the order of 2Ts, 3Tm, 3Ts, 3Tm, 3Ts, 3Tm, 2Ts, 3Tm, 3Ts, 3Tm, 3Ts, 3Tm
15 and 2Ts as a first embodiment or formed in the order of 3Ts, 3Tm, 2Ts, 3Tm, 3Ts, 3Tm, 2Ts, 3Tm, 3Ts, 3Tm, 2Ts, 3Tm and 3Ts as a second embodiment, both DSVs in the first and second embodiments become zero. However, the space having the relatively longer length, i.e., the space 3Ts of a length 3T,
20 is formed at the end part of the recording section as in the second embodiment such that the push/pull signal can be detected more correctly at the level transition point.

For reference, where six spaces 3Ts or marks 3Tm having a length 3T and nine spaces 2Ts or marks 2Tm having a length 2T
25 are formed in the "36T" recording section, it is preferable that the spaces and marks or the marks and spaces are formed in the order of 2Ts, 2Tm, 2Ts, 3Tm, 3Ts, 3Tm, 2Ts, 2Tm, 2Ts, 3Tm, 3Ts, 3Tm, 2Ts, 2Tm and 2Ts.

Moreover, where four spaces 3Ts or marks 3Tm having the
30 length 3T and three spaces 2Ts or marks 2Tm having the length 2T are formed in the "18T" recording section, it is preferable that the spaces and marks or the marks and spaces are formed in the order of 2Ts, 3Tm, 3Ts, 2Tm, 3Ts, 3Tm and 2Ts.

The level transition point can be set such that a level transition is accomplished on the basis of a center of a space. At this time, the sum of marks and spaces or the sum of spaces and marks is kept as an odd number.

5 With reference to Figs. 12-15, a push/pull signal must be continuously detected at wobbled spaces and marks or at spaces and marks repeatedly formed on the PIC sub-area without cutoff such that major information of the optical disc permanently recorded on the PIC sub-area contained in a lead-in area of the
10 BD-ROM can be correctly decoded. This will be described in detail.

As discussed previously, a BD-ROM (Blu-ray Disc ROM (Read Only Memory)) includes a PIC (Permanent Information and Control data) sub-area on which pit strings having a recording pattern
15 of an HFM (High-Frequency Modulated) groove based on a bi-phase modulation are formed. The PIC sub-area has information recorded in the form of pit strings. A level transition or level transition point of the HFM groove based on the bi-phase modulation is made on the basis of a center of a space.

20 If the HFM groove is formed of in-phase patterns in a recording section of 36T, a data value of "0" is recorded on the HFM groove. Otherwise, if the HFM groove is formed of anti-phase patterns in the recording section of 36T, a data value of "1" is recorded on the HFM groove.

25 For example, as shown in Fig. 12, a level transition or level transition point of the HFM groove based on bi-phase modulation is made on the basis of a center of a space. A mark 3T_m and a space 3T_s having a length 3T are repeatedly formed in a recording section of 18T having a high recording level
30 corresponding to the data value of "1". Further, the mark 3T_m and the space 3T_s having a length 3T are repeatedly formed in the recording section of 18T having a low recording level corresponding to the data value of "1".

Similarly, the mark $3T_m$ and the space $3T_s$ having length $3T$ are repeatedly formed in the recording section of $36T$ having a high recording level corresponding to the data value of "0". Further, the mark $3T_m$ and the space $3T_s$ having the length $3T$ are repeatedly formed in the recording section of $36T$ having a low recording level corresponding to the data value of "0".

As shown in Fig. 13, since a level transition or a level transition point of the HFM groove based on bi-phase modulation is made on the basis of a center of a space, the level transition point matches the zero crossing point of a push/pull signal. Therefore, a data value can be correctly detected on the basis of the zero crossing point of the push/pull signal.

The space and mark can be formed in a length of at least $2T$ or $3T$, respectively. As shown in Fig. 12, the bilaterally symmetrical marks having the same length are formed on the basis of the level transition point. After a level of the push/pull signal is sliced, the data value of a recovered signal can be correctly detected.

Since the level of the push/pull signal corresponding to the mark and space increases, where the lengths of the mark and space are $5T$ or more, respectively, an erroneous level transition point can be detected. The length of the mark or space should be limited to the lengths of $2T$, $3T$ or $4T$ such that the erroneous level transition point is not detected. Lengths of marks and spaces are combined, selected and formed such that the DSV becomes zero or a minimum value to correctly perform a servo control operation.

For example, and as shown in Fig. 14, a pit string is formed by a combination of the marks and spaces having the lengths of $2T$, $3T$ and $4T$. Simultaneously, the lengths of the marks and spaces are combined and selected such that a DSV associated with the pit string becomes zero or a minimum value.

Marks and spaces having a length of $2T$ are not consecutively repeated 7 times or more to meet conditions of a 17-PP (Parity Preserve) modulation code and a prohibit RMTR (Run Limited Transition) associated with a BD-RE (rewritable),
5 which limits the maximum number of repeats of marks and spaces having a length of at least $2T$ to "6" such that an RF (Radio Frequency) signal can be appropriately detected.

Furthermore, the shorter the length of a space according to the level transition is, the sharper a level transition
10 waveform of the push/pull signal is. The length of the space is limited to within the length of $4T$, if possible.

Bilaterally symmetrical marks, having the same length, are formed on the basis of the level transition point. The length of the mark is determined according to a diameter of a
15 laser beam spot formed on an optical disc. For example, where a wavelength and NA for a laser beam used in the BD-RE are 400 nm and 0.85, respectively, the diameter of the beam spot formed on the optical disc is approximately 580 nm ($= 1.22 \times (400 \text{ nm} \times 0.85)$), and the diameter of a valid beam spot is approximately
20 450 nm.

Thus, the length of $1T$ corresponds to 80 nm, and 450 nm corresponding to the diameter of the valid beam spot corresponds to approximately $6T$. As shown in Fig. 15, marks bilaterally symmetrical with respect to a space of the level
25 transition are formed such that the sum of lengths of the marks can be $6T$.

The marks bilaterally symmetrical with respect to the space of the level transition can be formed such that the sum of lengths of the marks is more than $6T$. However, where the
30 marks are symmetrical with respect to the space having a length less than the diameter of the valid beam spot or where the marks are symmetrical with respect to the space, an offset of the push/pull signal is generated, thereby increasing an amount

of jitter.

As apparent from the above description, the present invention provides a high-density read-only optical disc, and an optical disc apparatus and method using the same, which can
5 simplify an algorithm for controlling a plurality of tracking servo operations, avoid an increased size of the optical disc apparatus, and quickly stabilize a playback reference clock by enabling a PLL (Phase Locked Loop) circuit operation using pre-pits to be carried out from a lead-in area to other areas.

10 The preferred embodiments of the present invention have been disclosed for illustrative purposes. Those skilled in the art can readily implement the tracking servo based on the push/pull method and the tracking servo based on the DPD method by referring to the embodiments of the present invention.
15 Further, those skilled in the art will appreciate that various modifications, additions and substitutions are possible, without departing from the scope and spirit of the invention as disclosed in the accompanying claims.

CLAIMS

1. A high-density read-only optical disc, comprising:
a lead-in area, a data area and a lead-out area,
wherein the lead-in area includes a plurality of pre-pit
5 strings formed of wobbled pits.

2. A high-density read-only optical disc, comprising:
a lead-in area, a data area and a lead-out area,
wherein the lead-in area includes a plurality of pre-pit
strings continuously and discontinuously formed on a same track
10 line in a predetermined recording section.

3. The high-density read-only optical disc as set forth
in claim 1, wherein

the plurality of pre-pit strings formed on the lead-in
area have a shape corresponding to a wobbled groove.

15 4. The high-density read-only optical disc as set forth
in claim 1, wherein

the plurality of pre-pit strings having a recording
pattern of an HFM (High Frequency Modulated) groove based on a
bi-phase modulation, the HFM groove being formed on a PIC
20 (Permanent Information and control data) sub-area of the lead-
in area, the PIC sub-area having major information permanently
recorded and stored thereon.

5. The high-density read-only optical disc as set forth
in claim 4, wherein the plurality of pre-pit strings defining a
25 plurality of recording sections, each recording section having
a length of $36T$, where T corresponds to the length of a channel
bit.

6. The high-density read-only optical disc as set forth
in claim 5, wherein said each recording section having a
30 length of $36T$ represents a first data value when six $3T$ pre-
pits are formed on a same track line and a second data value

when less than six 3T pre-pits are formed on a same track line.

7. The high-density read-only optical disc as set forth in claim 5, wherein said each recording section having a length of 36T includes a space-mark-space combination of a predetermined length that is sequentially and repeatedly formed in recording sub-sections.

8. The high-density read-only optical disc as set forth in claim 5, wherein said each recording section having a length of 36T includes a mark-space-mark combination of a predetermined length that is sequentially and repeatedly formed in recording sub-sections.

9. The high-density read-only optical disc as set forth in claim 7, wherein the predetermined length of each space and mark is 6T.

10. The high-density read-only optical disc as set forth in claim 8, wherein the predetermined length of each space and mark is 6T.

11. The high-density read-only optical disc as set forth in claim 7, wherein the predetermined length of each space and mark is 4T.

12. The high-density read-only optical disc as set forth in claim 8, wherein the predetermined length of each space and mark is 4T.

13. The high-density read-only optical disc as set forth in claim 4, wherein said plurality of pre-pits having a mark before and a space following each transition point from high to low or low to high in the recording pattern of an HFM (High Frequency Modulated) groove based on a bi-phase modulation.

14. The high-density read-only optical disc as set forth in claim 13, wherein the mark before and space following have a combined length of 6T.

15. The high-density read-only optical disc as set forth in claim 4, wherein said plurality of pre-pits having a space

before and a mark following each transition point from high to low or low to high in the recording pattern of an HFM (High Frequency Modulated) groove based on a bi-phase modulation.

15 15. The high-density read-only optical disc as set forth
5 in claim 4, wherein said plurality of pre-pits having a mark
before each transition point from high to low and a space
before each transition from low to high in the recording
pattern of an HFM (High Frequency Modulated) groove based on a
bi-phase modulation.

10 16. The high-density read-only optical disc as set forth
in claim 4, wherein said plurality of pre-pits having a space
that spans each transition point from high to low or low to
high in the recording pattern of an HFM (High Frequency
Modulated) groove based on a bi-phase modulation.

15 17. The high-density read-only optical disc as set forth
in claim 16, wherein the space that spans each transition point
having a length of $3T$.

 18. The high-density read-only optical disc as set forth
in claim 16, wherein the space that spans each transition point
20 is greater than or equal to $2T$.

 19. The high-density read-only optical disc as set forth
in claim 1, wherein said plurality of pre-pit strings having a
first group of pits of a pit depth shallower than a depth of $\lambda/4$
and a second group of pits of a pit depth deeper than a depth
25 of $\lambda/4$.

 20. The high-density read-only optical disc as set forth
in claim 1, wherein said plurality of pre-pit strings having
pits of a pit length of selected from the group consisting of
 $2T$ and $3T$.

30 21. The high-density read-only optical disc as set forth
in claim 2,

 wherein the predetermined recording section corresponds
to a first data value if the lead-in area has pre-pit strings

continuously formed on the same track line in the predetermined recording section, and

wherein the predetermined recording section corresponds to a second data value if the lead-in area has the pre-pit strings discontinuously formed on different positions within a same track line in a predetermined recording section.

22. A high-density optical disc apparatus, comprising:

photoelectric conversion means for receiving light reflected from an optical disc and outputting a plurality of electric signals;

first detection means for carrying out a summing operation and a differential amplification for the outputted electric signals and detecting a tracking error signal based on a push/pull method;

second detection means for detecting the outputted electric signals, carrying out a summing operation and a differential operation for electric signals having different phases, and detecting a tracking error signal based on a DPD (Differential Phase Detection) method; and

output means for selectively outputting one of the tracking error signals based on the push/pull method and the DPD method detected by the first and second detection means according to a type of the optical disc.

23. The high-density optical disc apparatus as set forth in claim 22, wherein the output means selectively outputs the tracking error signal based on the DPD method if the optical disc is a BD-ROM (Blu-ray Disc-Read Only Memory), and

wherein the output means selectively outputs the tracking error signal based on the push/pull method if the optical disc is a BD-RW (Blu-ray Disc Rewritable).

24. A method for reproducing an optical disc, comprising the steps of:

converting light reflected from the optical disc into a

plurality of electric signals;

carrying out a summing operation and a differential amplification for the outputted electric signals and detecting a tracking error signal based on a push/pull method and a tracking error signal based on a DPD (Differential Phase Detection) method; and

selecting one of the tracking error signals based on the push/pull method and the DPD method detected by the first and second detection means according to a type of the optical disc and carrying out a tracking servo operation corresponding to the selected tracking error signal.

25. The method as set forth in claim 24, wherein the step (c) is carried out by enabling the tracking servo operation corresponding to the selected tracking error signal to be continuously applied to an entire area of a same optical disc.

26. A high-density read-only optical disc comprising:

a lead-in area, a data area and a lead-out area;

the lead-in area having a specific area on which pit strings having a recording pattern of an HFM (High-Frequency Modulated) groove based on a bi-phase modulation are formed,

wherein the specific area has $2n+1$ (odd) number of spaces and marks or marks and spaces repeatedly formed in a same-level recording section of the HFM groove based on the bi-phase modulation.

27. The high-density read-only optical disc as set forth in claim 26, wherein the specific area is a recording area corresponding to a PIC (Permanent Information and Control data) sub-area on which major information is permanently recorded and stored, the PIC sub-area.

28. The high-density read-only optical disc as set forth in claim 26, wherein a space and mark are formed at the left and right of a low-level transition point of the HFM groove based on the bi-phase modulation, respectively, and

wherein the mark and space are formed at the left and right of a high-level transition point of the HFM groove based on the bi-phase modulation, respectively.

29. The high-density read-only optical disc as set forth
5 in claim 26, wherein at least one of the formed spaces and marks is of a minimum pit length.

30. The high-density read-only optical disc as set forth
in claim 26, wherein the spaces and marks or the marks and
spaces are formed in predetermined pit lengths in the same-
10 level recording section of the HFM groove based on the bi-phase
modulation such that a DSV (Digital Sum Value) equals zero or a
minimum value.

31. The high-density read-only optical disc as set forth
in claim 26, wherein the spaces and marks or the marks and
15 spaces are repeatedly formed in the predetermined pit lengths
in the same-level recording section of the HFM groove based on
the bi-phase modulation such that the DSV becomes zero or a
minimum value, and

wherein an end part of the same-level recording section
20 includes a space or mark having a relatively longer pit length
among the spaces and marks of the lengths meeting a requirement
that the DSV becomes zero or a minimum value.

32. A high-density read-only optical disc, comprising:
a lead-in area, a data area and a lead-out area;
25 the lead-in area having a specific area on which a pit
string of a mark and space or a space and mark having a
recording pattern of an HFM (High-Frequency Modulated) groove
based on a bi-phase modulation, is formed,

wherein the HFM groove based on the bi-phase modulation
30 has a level transition point formed on the basis of a center of
a space.

33. The high-density read-only optical disc as set forth
in claim 32, wherein at least one mark having the same length

is formed at each of left and right sides of the level transition point of the HFM groove based on the bi-phase modulation.

34. The high-density read-only optical disc as set forth
5 in claim 32, wherein the mark or space has a length less than or equal to $4T$.

35. The high-density read-only optical disc as set forth
10 in claim 32, wherein the mark and space or the space and mark formed in the same recording section of the HFM groove based on the bi-phase modulation are combined and formed in arbitrary pit lengths such that a DSV (Digital Sum Value) becomes zero or a minimum value.

36. The high-density read-only optical disc as set forth
15 in claim 35, wherein the space and mark or the mark and space are combined and formed such that each of the mark and space or the space and mark having a length of $2T$ are not repeatedly detected 7 times or more.

37. The high-density read-only optical disc as set forth
20 in claim 32, wherein the length of the space associated with a level transition is less than or equal to $4T$.

38. The high-density read-only optical disc as set forth
25 in claim 32, wherein a sum of a length of the space associated with a level transition and lengths of marks bilaterally symmetrical with respect to the space of the level transition is substantially equal to a valid diameter of a laser beam spot.

39. The high-density read-only optical disc as set forth
30 in claim 32, wherein a sum of a length of the space associated with a level transition and lengths of marks bilaterally symmetrical with respect to the space of the level transition is larger than a valid diameter of a laser beam spot, and the lengths of the marks symmetrically formed at left and right sides of the space of the level transition are the same.

40. A Blu-ray Disc-Read Only Memory comprising:
a lead-in area, a data area and a lead-out area,
wherein the lead-in area includes a plurality of pre-pit
strings continuously and discontinuously formed on a same
5 track line in a predetermined recording section.

41. A method for reading a high density Read-Only disc,
comprising :

positioning a reader to inner position of the disc ;
reading a pre-pit signal formed of wobbled in the inner
10 position ; and
controlling the reader to read the pre-pit signal in
accordance with the wobble.

42. The method of claim 41, further comprising :
reading a signal formed of not wobbled in a data area of
15 disc.

43. The method of claim 41, wherein the controlling step
control the reader to read the pre-pit signal without cut off
such that a data recorded as pre-pit is correctly decoded.

FIG. 1

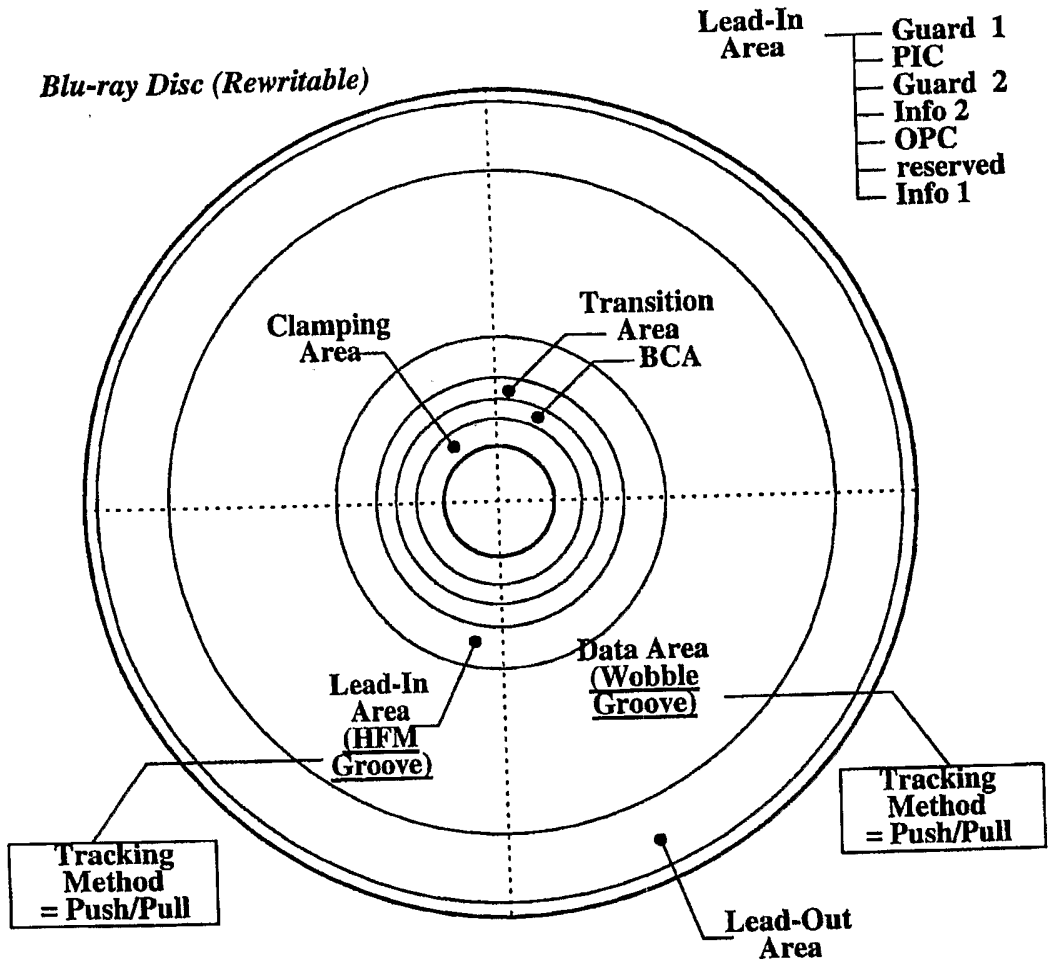


FIG. 2

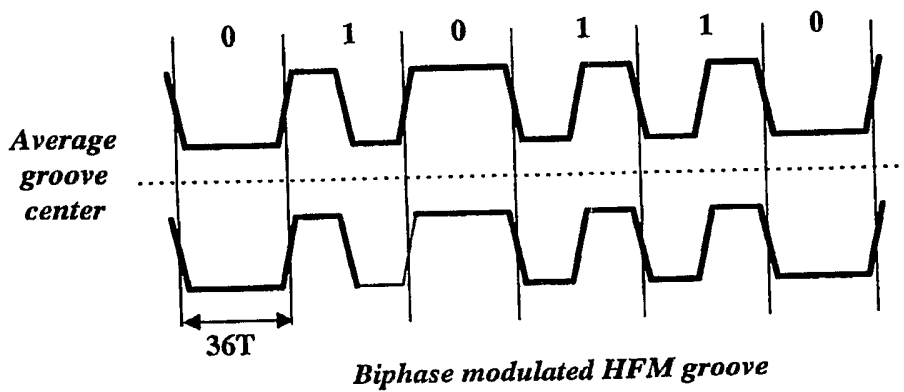
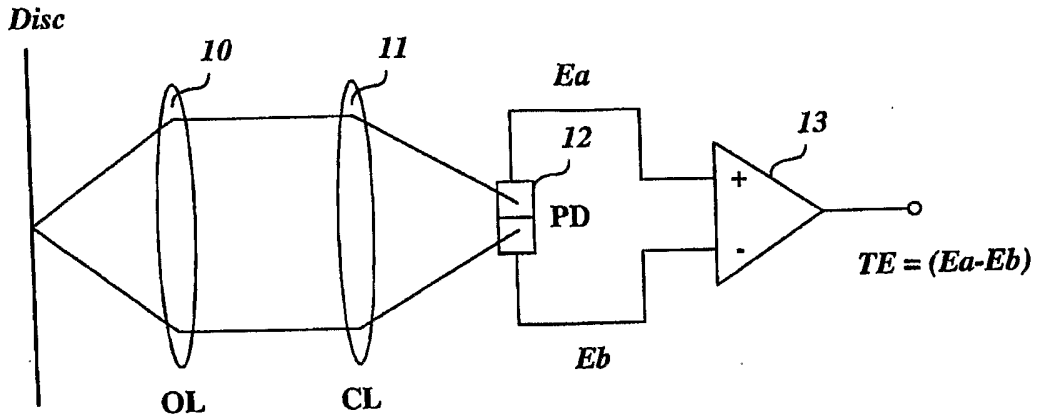


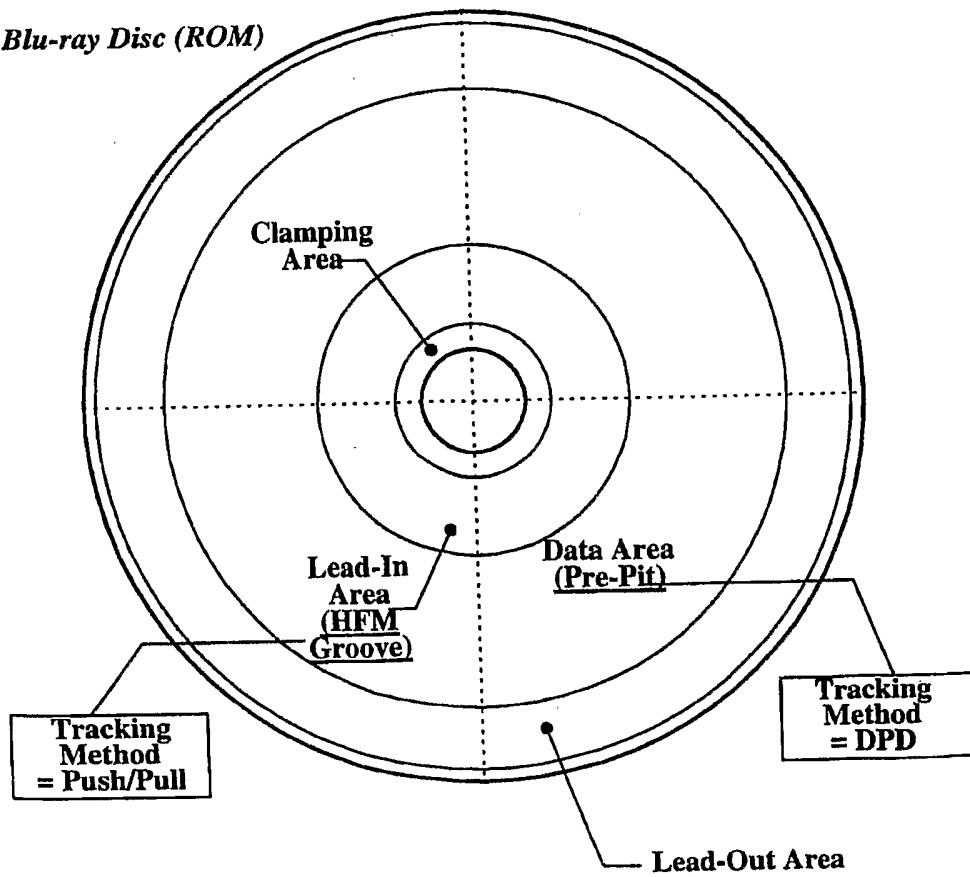
FIG. 3

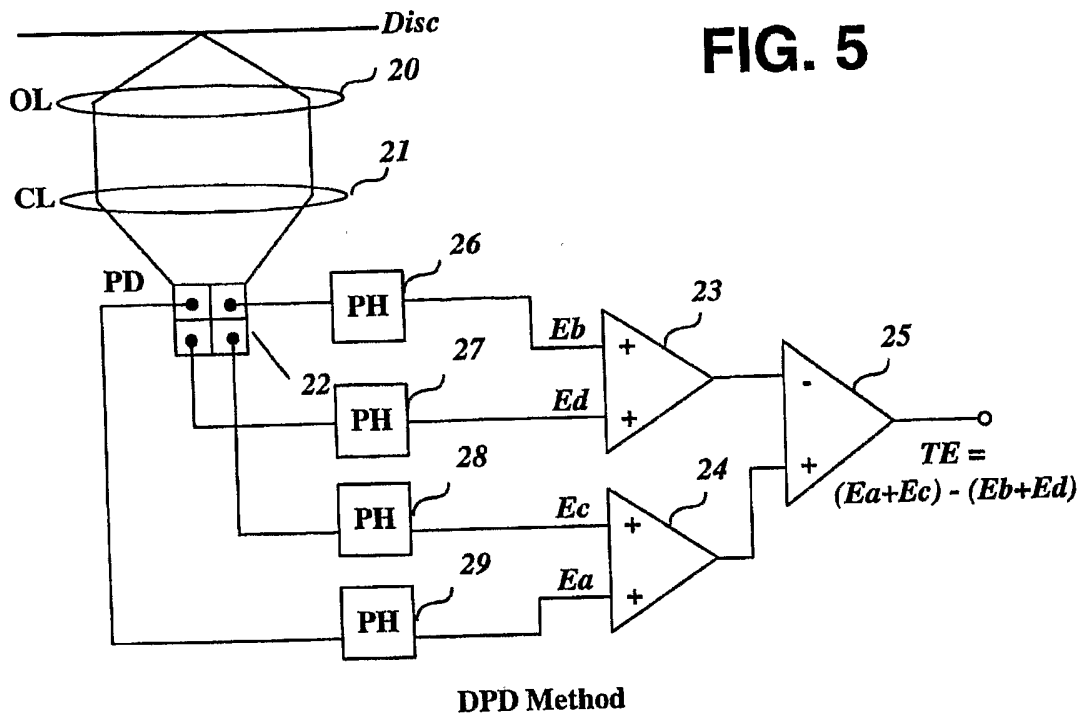


Push / Pull Method

FIG. 4

Blu-ray Disc (ROM)





Blu-ray Disc (ROM)

FIG. 6

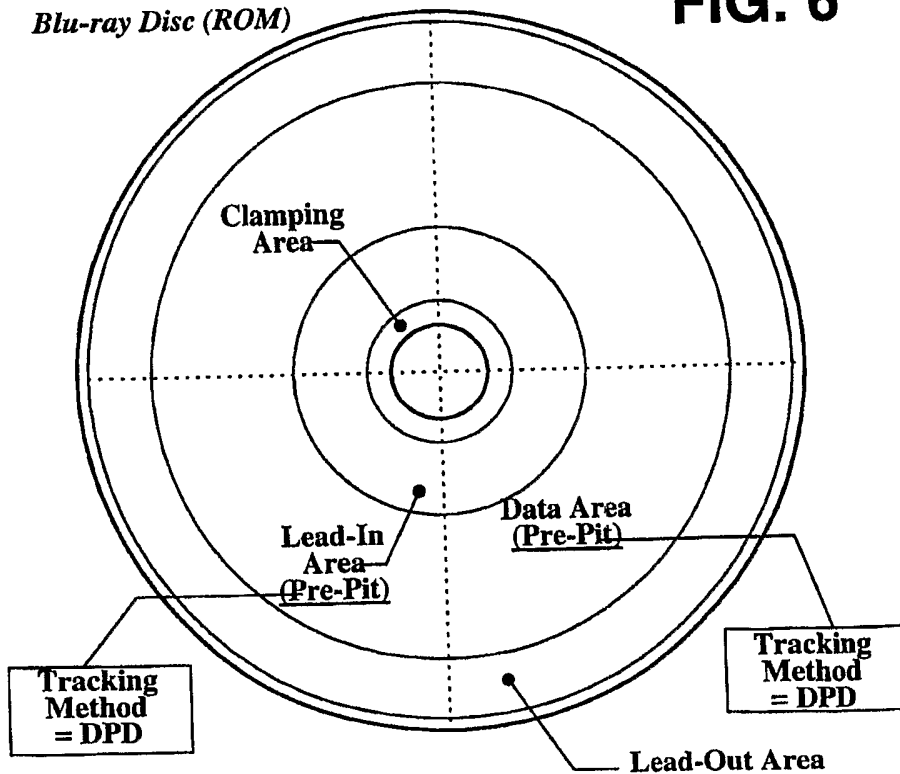


FIG. 7

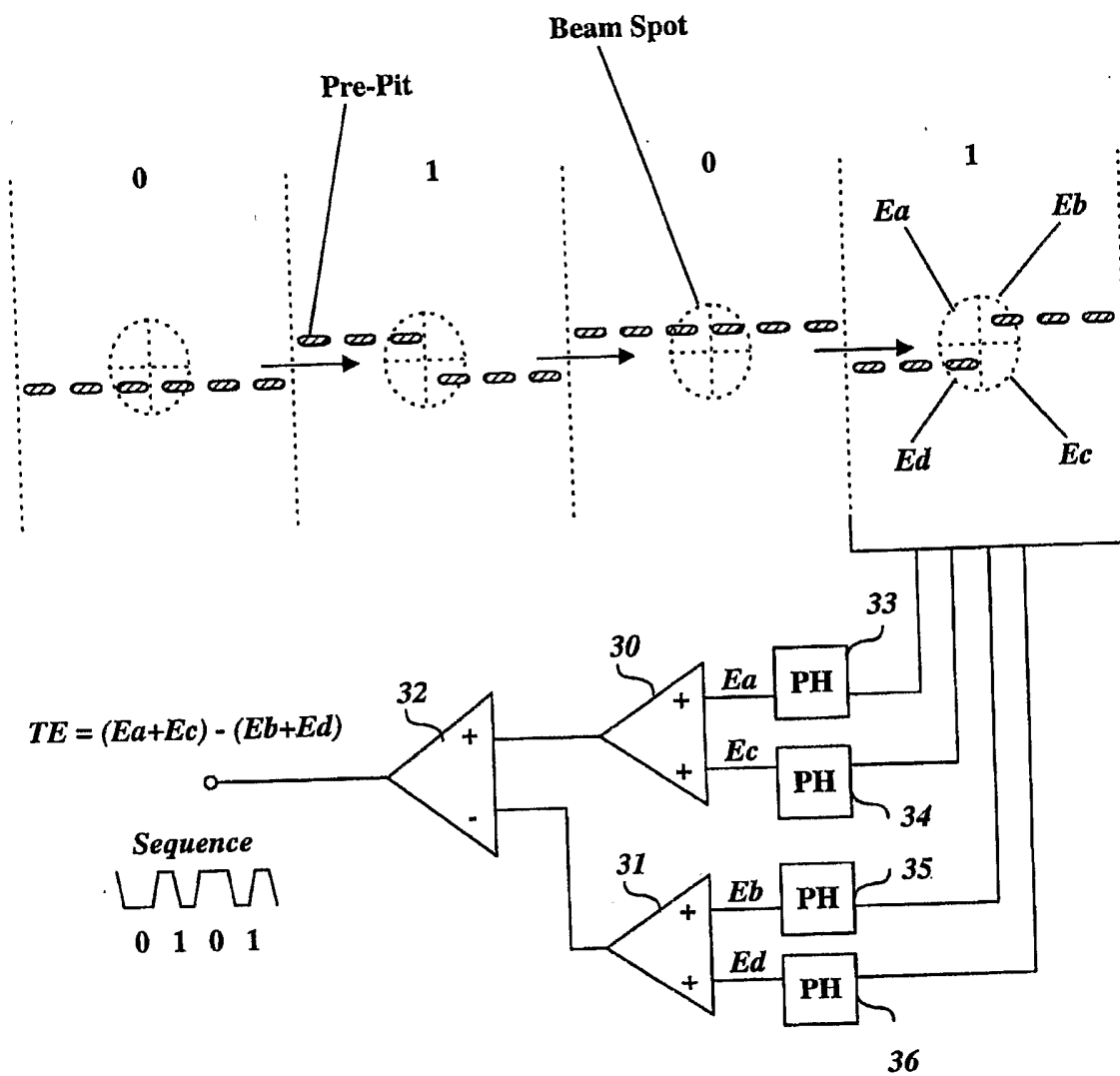


FIG. 8

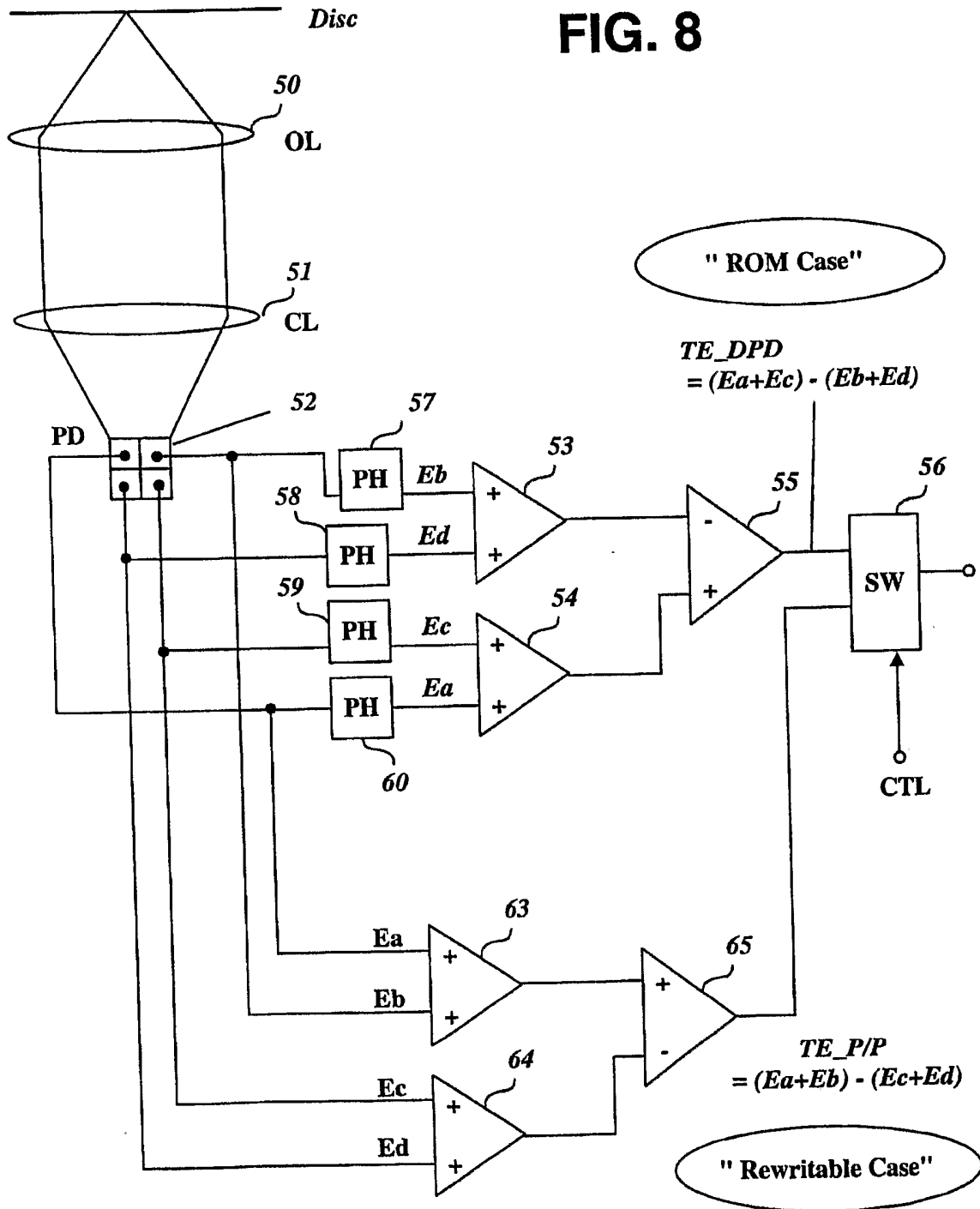


FIG. 9

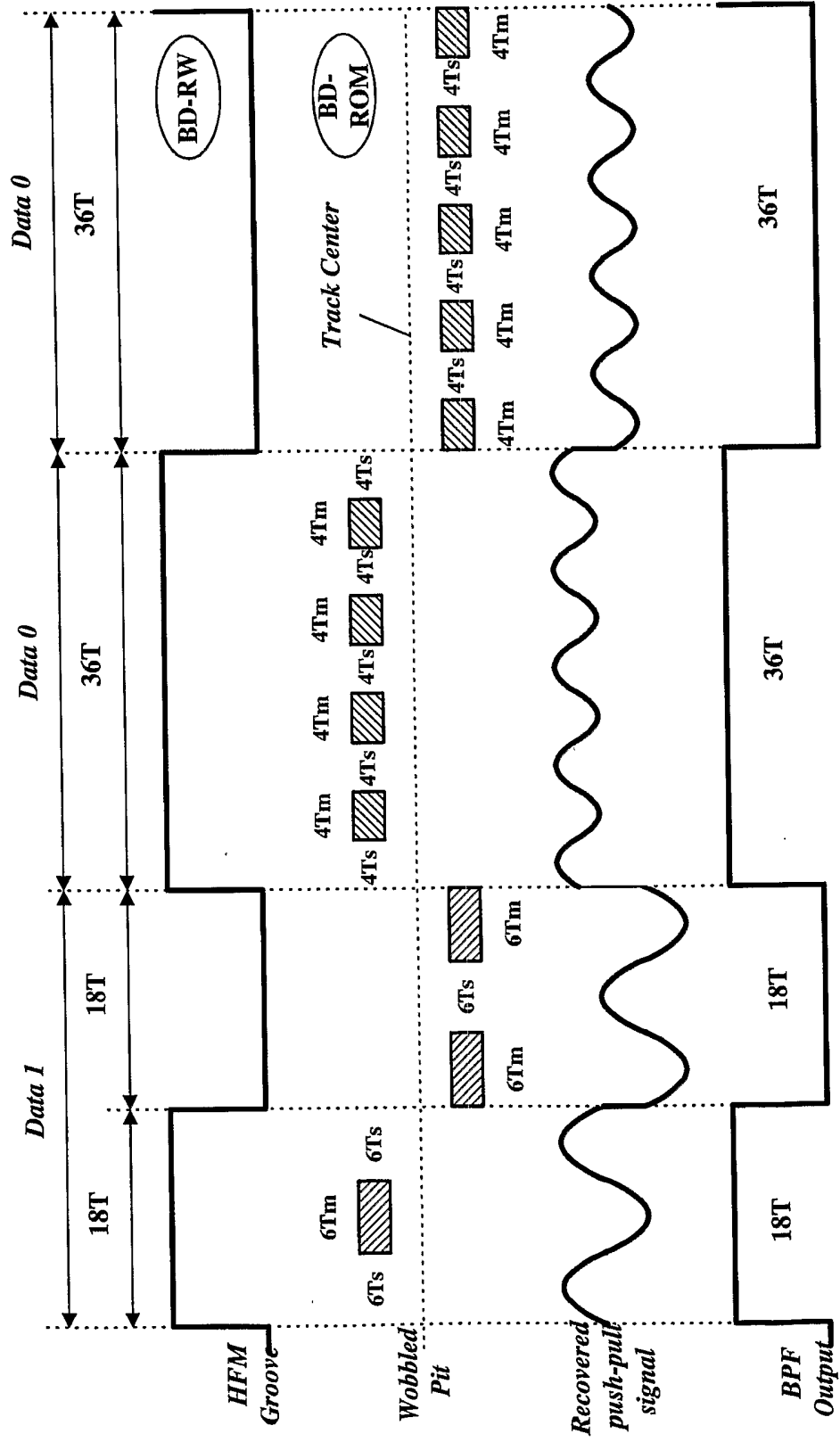


FIG. 10

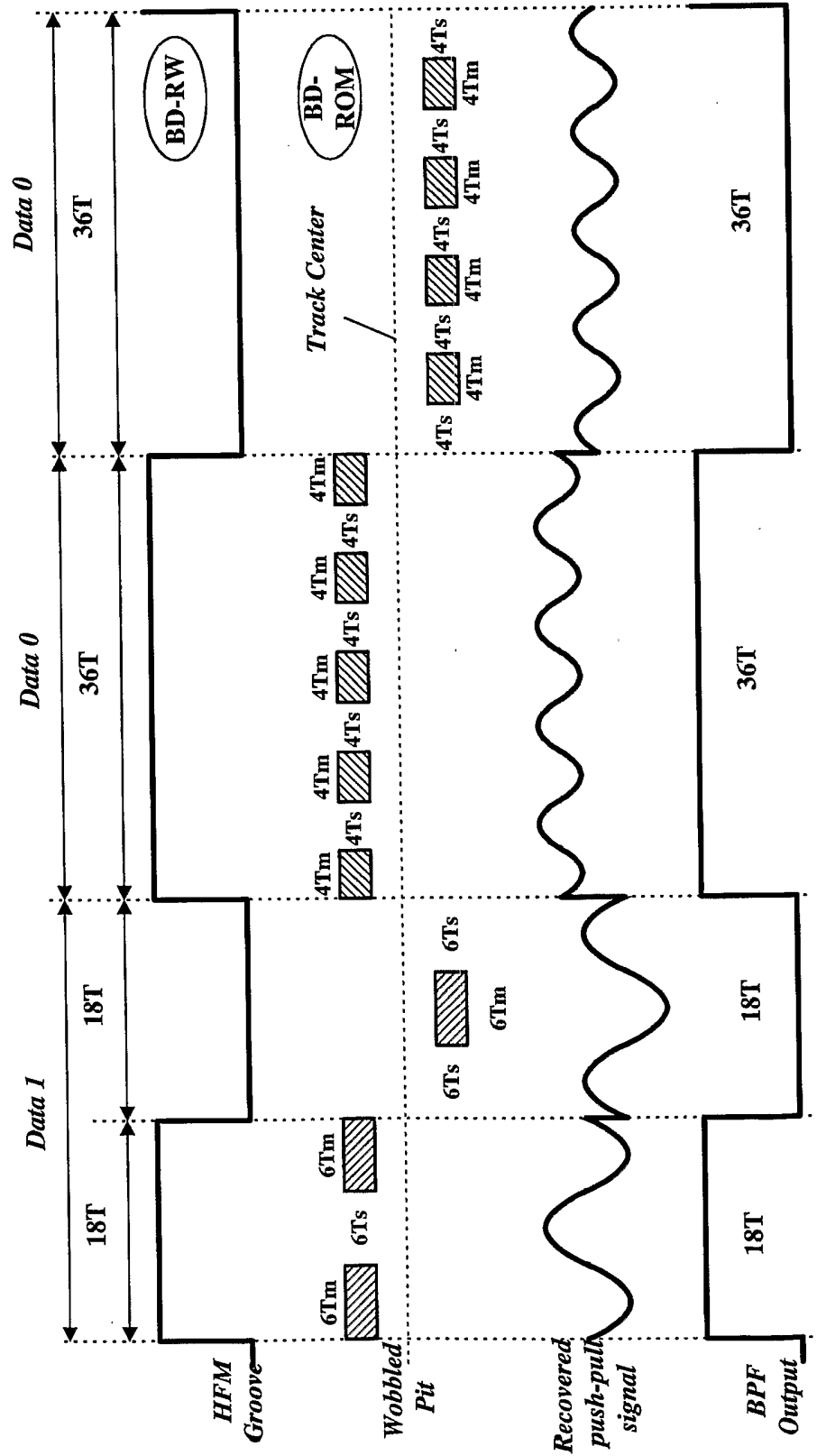


FIG. 11

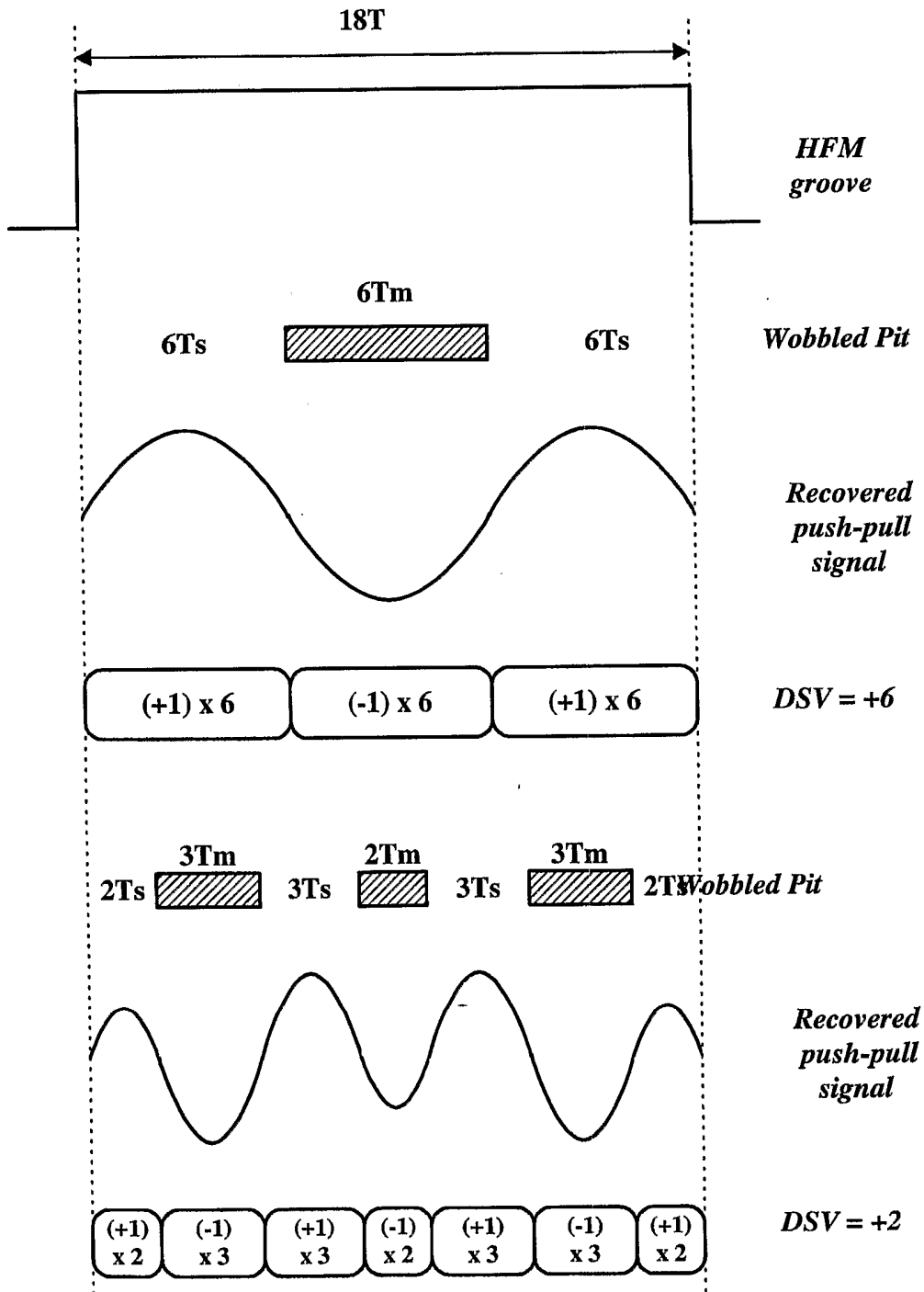
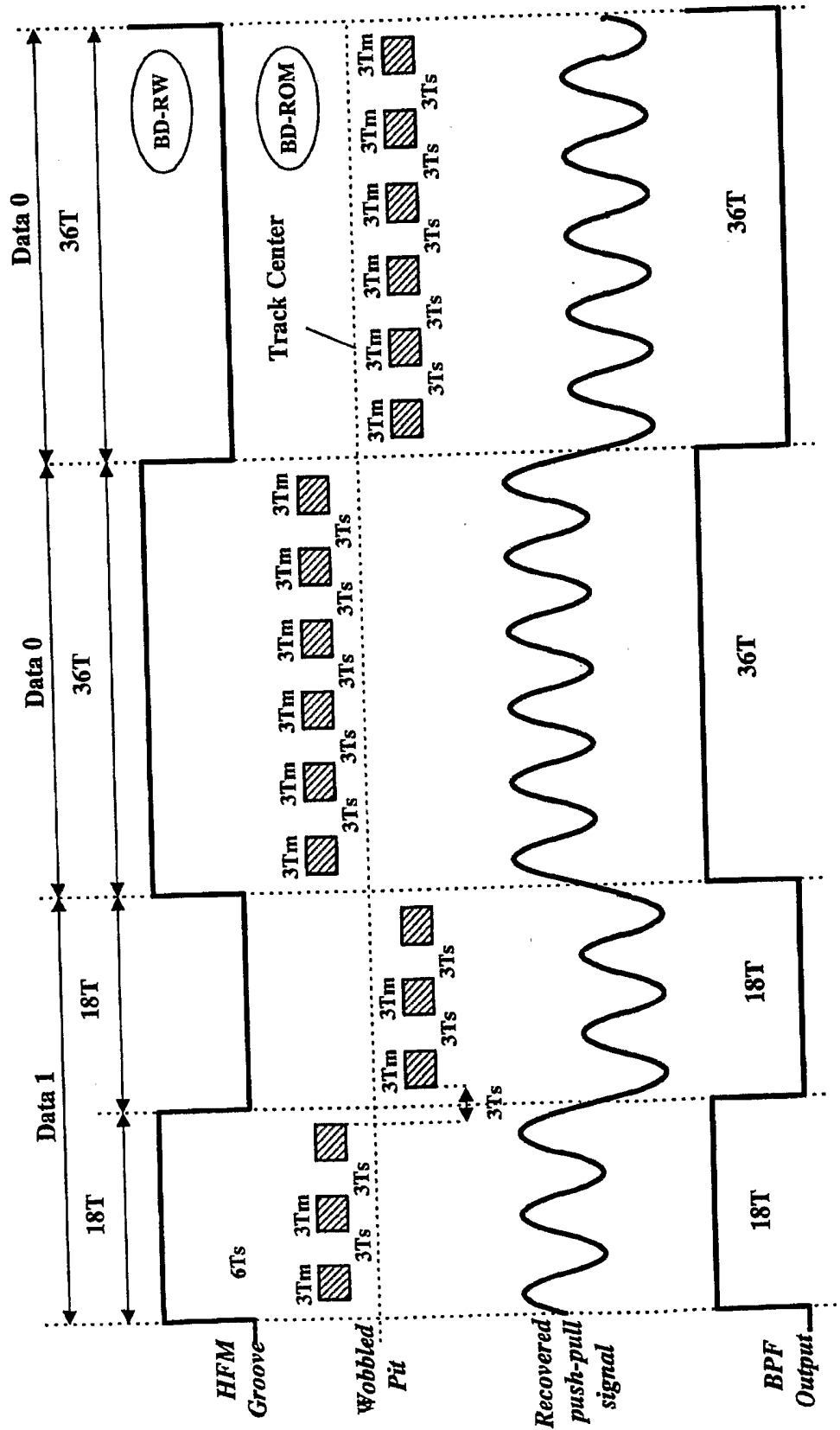


FIG. 12



10/12

FIG. 13

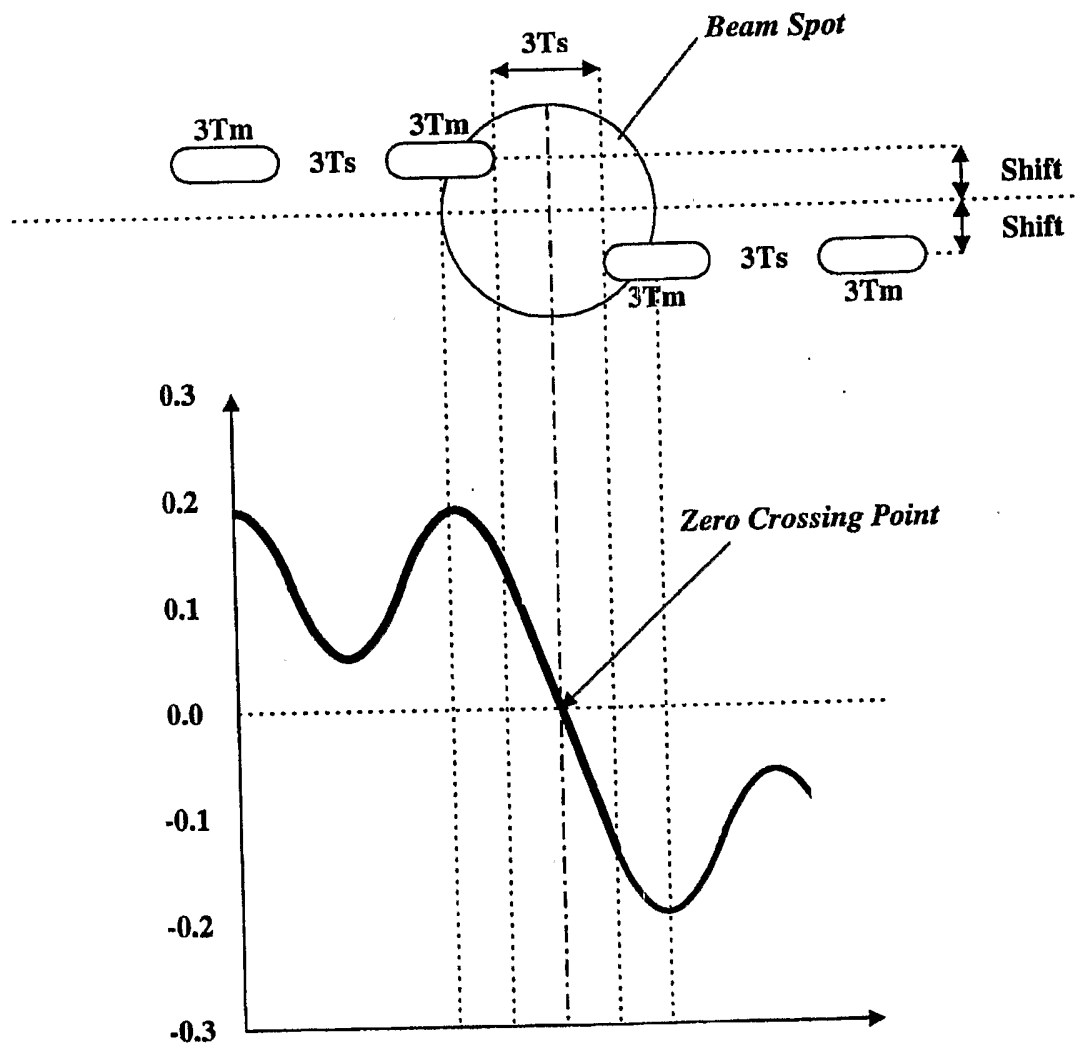


FIG. 14

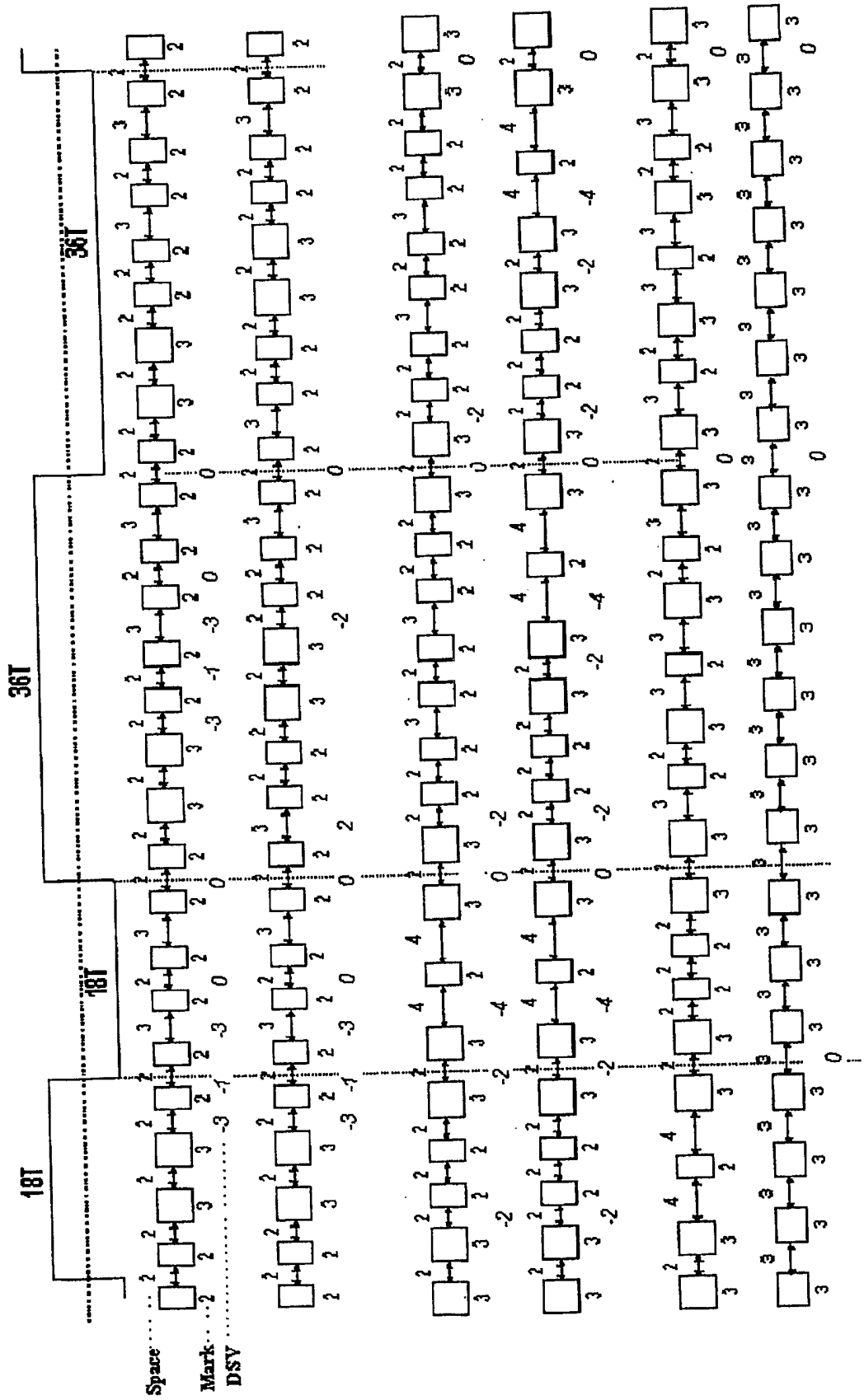
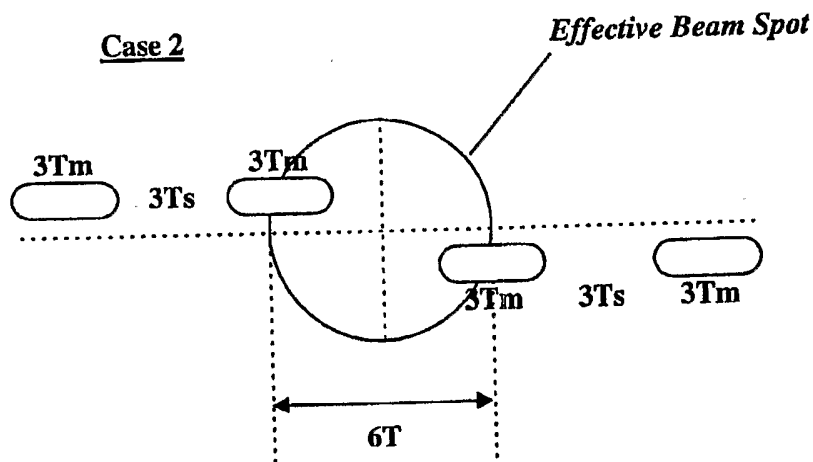
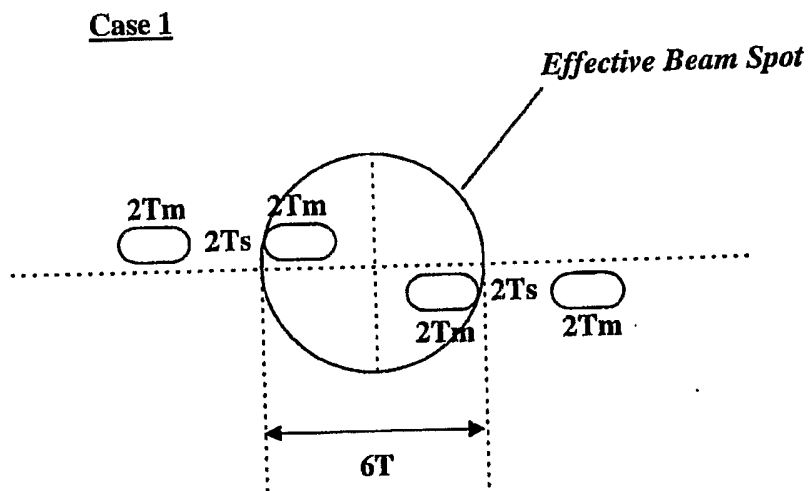


FIG. 15



INTERNATIONAL SEARCH REPORT

International application No.
PCT/KR03/00867

A. CLASSIFICATION OF SUBJECT MATTER
IPC7 G11B 7/007
According to International Patent Classification (IPC) or to both national classification and IPC

B. FIELDS SEARCHED
Minimum documentation searched (classification system followed by classification symbols)
IPC7 G11B 7/00-7/24, G11B 20/00-20/24

Documentation searched other than minimum documentation to the extent that such documents are included in the fields searched
Korean Patents and Applications for inventions since 1975

Electronic data base consulted during the international search (name of data base and, where practicable, search terms used)
WPI, PAJ "BD-RW", "BD-ROM", "PUSH PULL", "DPD""PRE-PIT", "HIGH DENSITY", "LEAD-IN""LEAD-OUT"

C. DOCUMENTS CONSIDERED TO BE RELEVANT

Category*	Citation of document, with indication, where appropriate, of the relevant passages	Relevant to claim No.
A	JP 04 - 274032 A (HITACHI MAXELL LTD) 30 September 1992, see the whole document.	
A	JP 10-326419 A (HITACHI LTD) 8 December 1998, see the whole document	
P	KR 03-4542 A (SAMSUNG ELEC. CO. LTD) 15 January 2003, see the whole document	1,2,3
P	KR 03-30506 A (SAMSUNG ELEC. CO. LTD) 18 April 2003, see the whole document	1,2,3


Further documents are listed in the continuation of Box C.

See patent family annex.

* Special categories of cited documents:

"A" document defining the general state of the art which is not considered to be of particular relevance	"T" later document published after the international filing date or priority date and not in conflict with the application but cited to understand the principle or theory underlying the invention
"E" earlier application or patent but published on or after the international filing date	"X" document of particular relevance; the claimed invention cannot be considered novel or cannot be considered to involve an inventive step when the document is taken alone
"L" document which may throw doubts on priority claim(s) or which is cited to establish the publication date of citation or other special reason (as specified)	"Y" document of particular relevance; the claimed invention cannot be considered to involve an inventive step when the document is combined with one or more other such documents, such combination being obvious to a person skilled in the art
"O" document referring to an oral disclosure, use, exhibition or other means	"&" document member of the same patent family
"P" document published prior to the international filing date but later than the priority date claimed	

Date of the actual completion of the international search 18 AUGUST 2003 (18.08.2003)	Date of mailing of the international search report 19 AUGUST 2003 (19.08.2003)
--	---

Name and mailing address of the ISA/KR
 Korean Intellectual Property Office
 920 Dunsan-dong, Seo-gu, Daejeon 302-701,
 Republic of Korea
 Facsimile No. 82-42-472-7140

Authorized officer
 SONG, Jin Suk
 Telephone No. 82-42-481-5694
