



US00D999867S

(12) **United States Design Patent**
Huang

(10) **Patent No.:** **US D999,867 S**

(45) **Date of Patent:** **** Sep. 26, 2023**

- (54) **POOL SPORT COMBO SET**
- (71) Applicant: **Zhicheng Huang**, Shantou (CN)
- (72) Inventor: **Zhicheng Huang**, Shantou (CN)
- (**) Term: **15 Years**
- (21) Appl. No.: **29/886,596**
- (22) Filed: **Mar. 10, 2023**
- (30) **Foreign Application Priority Data**

Mar. 6, 2023 (CN) 202330096321.6

(51) **LOC (14) Cl.** **21-01**

(52) **U.S. Cl.**
USPC **D21/801**; D21/701; D21/705; D21/781;
D21/799.1

(58) **Field of Classification Search**
USPC ... D21/701, 702, 703, 705, 771, 781, 799.1,
D21/801, 803

(Continued)

(56) **References Cited**

U.S. PATENT DOCUMENTS

2,818,254 A * 12/1957 Dunn A63B 63/083
473/481
4,220,337 A * 9/1980 Moore A63B 69/0097
473/466

(Continued)

FOREIGN PATENT DOCUMENTS

CN 202130794446.7 * 3/2022
EM 008780845 * 12/2021

(Continued)

OTHER PUBLICATIONS

Pool Mate, Swimming Pool Basketball and Volleyball Combo Set,
published on Jun. 11, 2021 [online]. Retrieved from internet (Date:

May 22, 2023), https://www.amazon.com/Pool-Mate-Swimming-Basketball-Volleyball/dp/B086P9F37X/ref=cm_cr_ar_p_d_product_top?ie=UTF8 (Year: 2021).*

(Continued)

Primary Examiner — Katherine A Holbrow

Assistant Examiner — Riya Salil Kamat

(74) *Attorney, Agent, or Firm* — Georgi Korobanov

(57) **CLAIM**

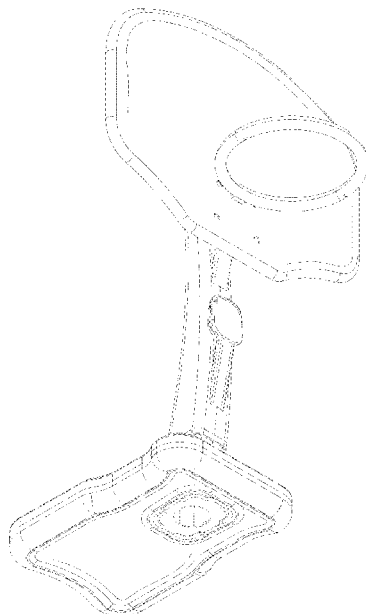
The ornamental design for a pool sport combo set, as shown and described.

DESCRIPTION

FIG. 1 is a front, bottom, and left side perspective view of a pool sport combo set, showing my new design; FIG. 2 is a front view thereof; FIG. 3 is a rear view thereof; FIG. 4 is a left side view thereof; FIG. 5 is a right side view thereof; FIG. 6 is a top plan view thereof; FIG. 7 is a bottom plan view thereof; FIG. 8 is a rear, top and left side perspective view thereof; FIG. 9 is a front, bottom and left side perspective view of the pool sport combo set in a detached state; FIG. 10 is a perspective view of the pool sport combo set in an alternate configuration; and, FIG. 11 is a front, bottom, and left side perspective view of the pool sport combo set in an alternate configuration. The broken lines shown in the drawings illustrate portions of the pool sport combo set that form no part of the claimed design.

The claim is directed to the collective appearance of the pool sport combo set shown in the figures. The component of set are arranged on the drawing sheet for the convenience of illustration, and the relative position of the pool sport combo set forms no part of the claimed design.

1 Claim, 11 Drawing Sheets



(58) **Field of Classification Search**

CPC A63B 63/083; A63B 69/0071; A63B 2243/0037; A63B 2063/001; A63B 63/08; A63B 2243/0095; A63B 69/0095; Y10S 248/91; A63F 7/0612; A63F 2300/8011; A63F 2007/0064; A63F 7/305; F21V 33/008; G09B 19/0038

See application file for complete search history.

D540,895 S * 4/2007 Chiu D21/702
 D944,346 S 2/2022 Lin
 D947,309 S * 3/2022 Hsu D21/815
 D952,090 S * 5/2022 Hsu D21/815
 D977,601 S * 2/2023 Zheng D21/702
 2005/0090336 A1* 4/2005 Nye A63B 71/023
 473/485
 2019/0151732 A1* 5/2019 St. Pierre A63B 63/083

(56) **References Cited**

U.S. PATENT DOCUMENTS

4,715,599 A * 12/1987 Raymond A63B 63/083
 473/481
 4,759,545 A * 7/1988 Grable A63B 63/083
 473/481
 D299,041 S 12/1988 Thornell
 D302,992 S * 8/1989 Scott, III D21/702
 D320,637 S * 10/1991 Fish, Jr. D21/702
 D353,641 S * 12/1994 Liu D21/702
 D403,834 S * 1/1999 Nulman D21/702
 5,893,809 A * 4/1999 Coats A63B 63/083
 473/486
 5,983,602 A * 11/1999 Allen A63B 63/083
 53/445
 6,053,825 A * 4/2000 Allen A63B 63/083
 473/479
 D431,272 S * 9/2000 Graham D21/702
 D433,471 S * 11/2000 Hsu D21/701
 D435,078 S * 12/2000 Hsu D21/799.1
 D440,613 S * 4/2001 Davis D21/702
 6,432,003 B1 * 8/2002 van Nimwegen ... A63B 63/083
 473/481

FOREIGN PATENT DOCUMENTS

EM 015014288 * 3/2023
 WO WO-9834686 A1 * 8/1998 A63B 63/083

OTHER PUBLICATIONS

GoSports, Pool Basketball and Volleyball Game Set, published on Jan. 6, 2022 [online]. Retrieved from internet (Date: May 22, 2023), https://www.amazon.com/GoSports-Splash-2-in1-Basketball-Volleyball/dp/B09PWH3FGC/ref=cm_cr_arp_d_product_top?ie=UTF8 (Year: 2022).*

Omotiya, Pool Basketball Hoop with Base, published on Feb. 17, 2022 [online]. Retrieved from internet (Date: May 22, 2023), https://www.amazon.com/OMOTIYA-Swimming-Basketball-Portable-Poolside/dp/B09LHHWX6D/ref=cm_cr_arp_d_product_top?ie=UTF8&th=1 (Year: 2022).*

Perbyste, Basketball Hoop Poolside, published on Apr. 27, 2023 [online]. Retrieved from internet (Date: May 22, 2023), https://www.amazon.com/Pool-Basketball-Hoop-Poolside-Swimming/dp/B0BYDW7DLZ/ref=cm_cr_arp_d_product_top?ie=UTF8&th=1 (Year: 2023).*

* cited by examiner

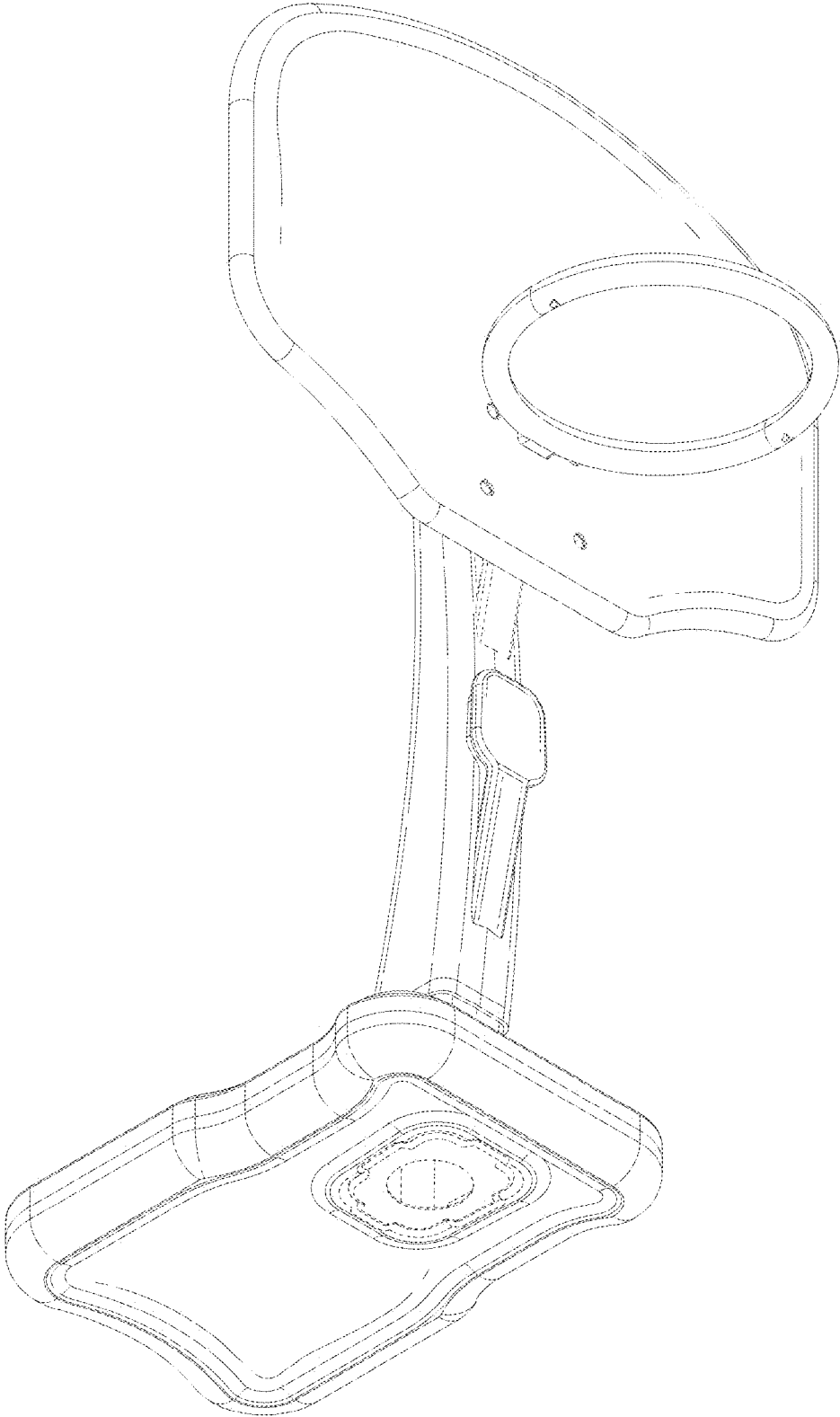


FIG. 1

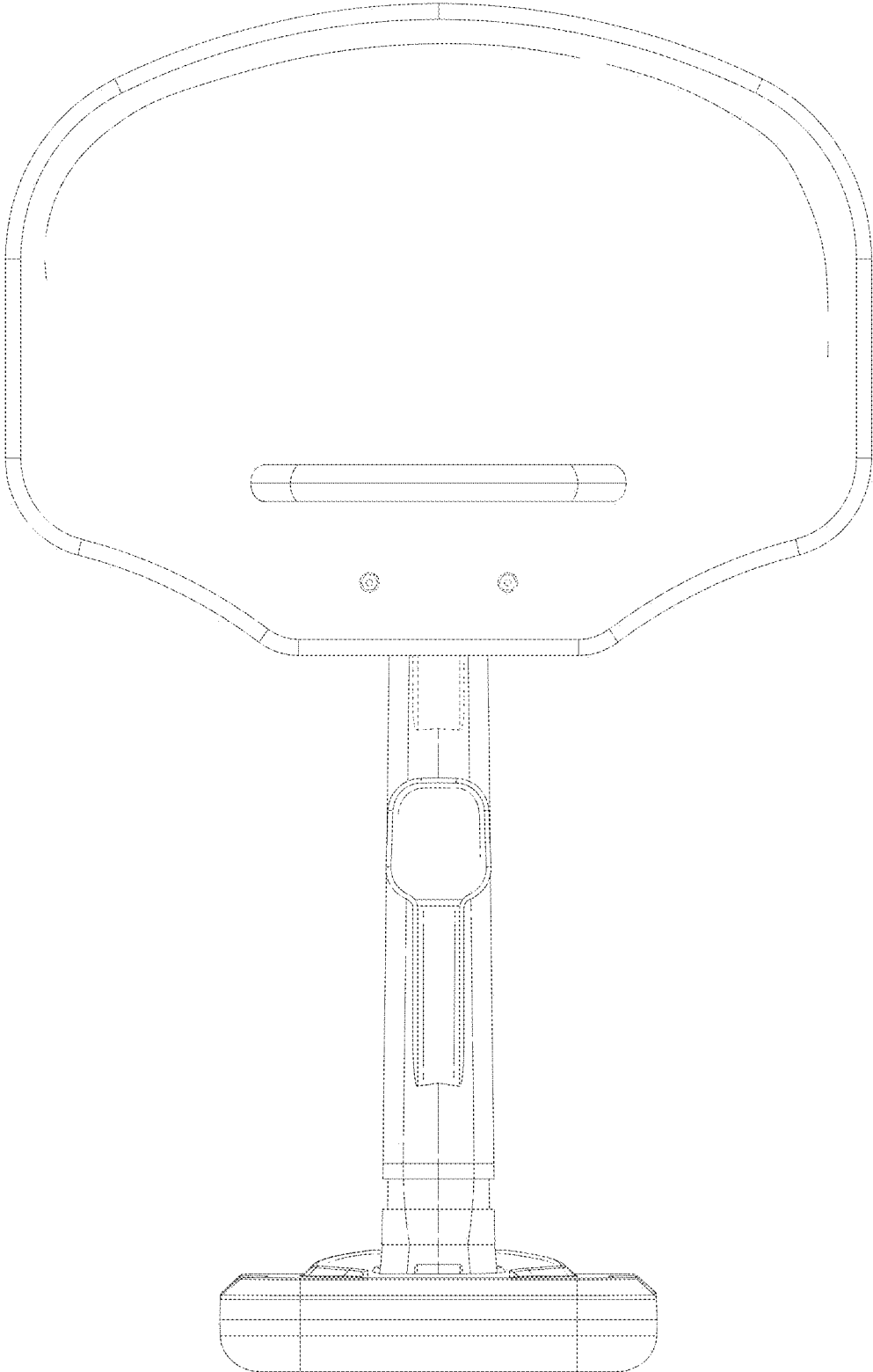


FIG. 2

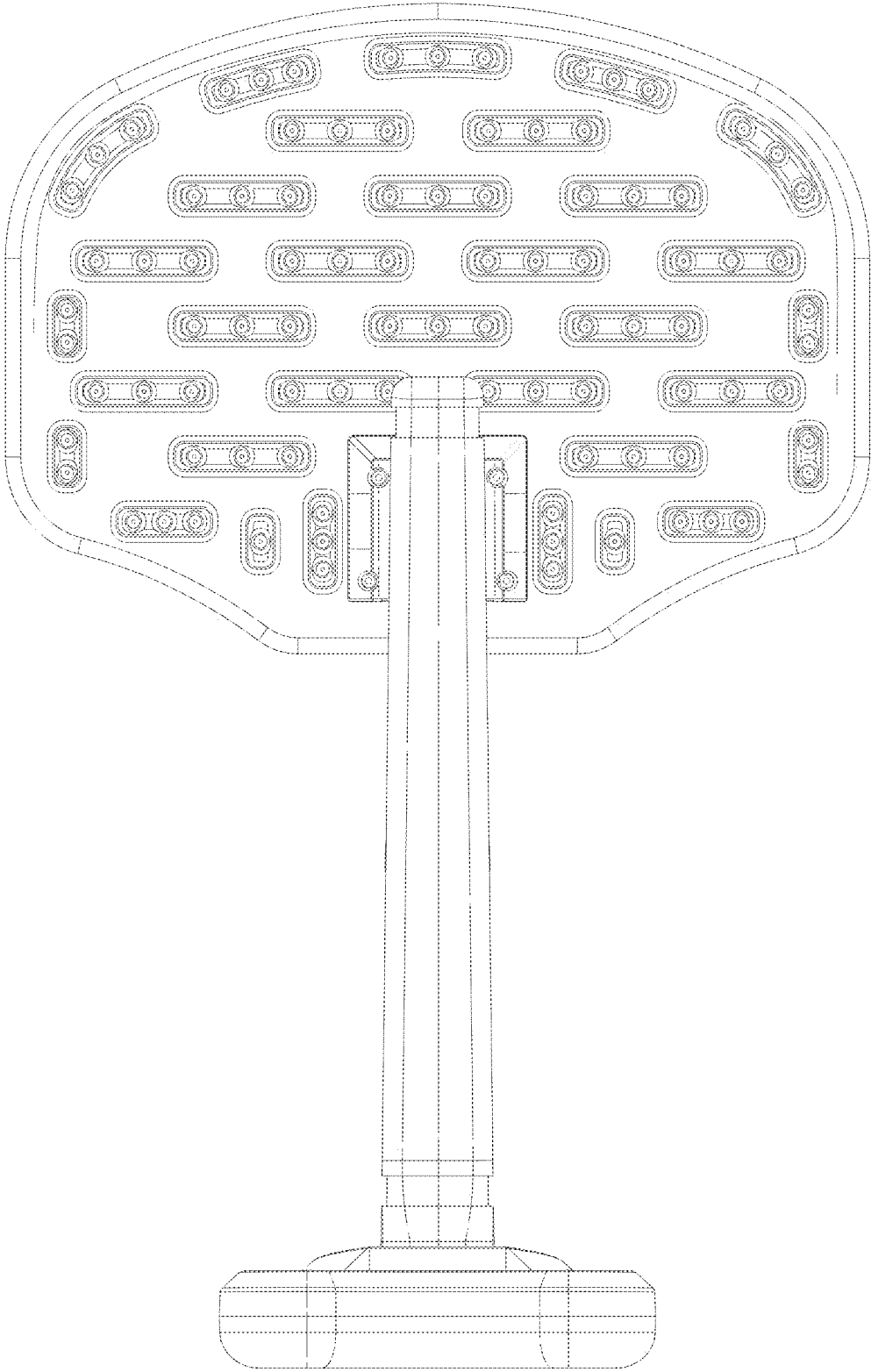


FIG. 3

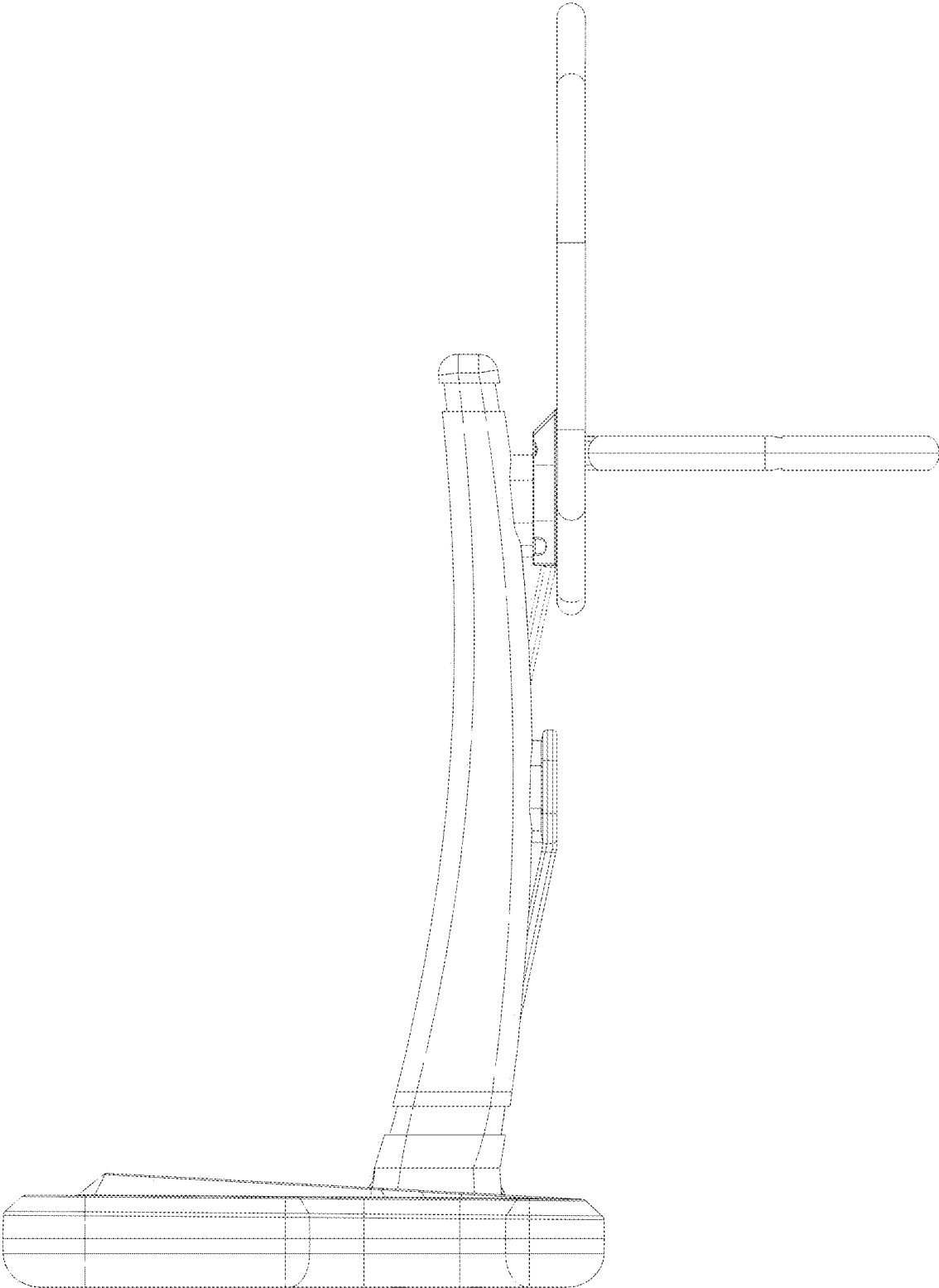


FIG. 4

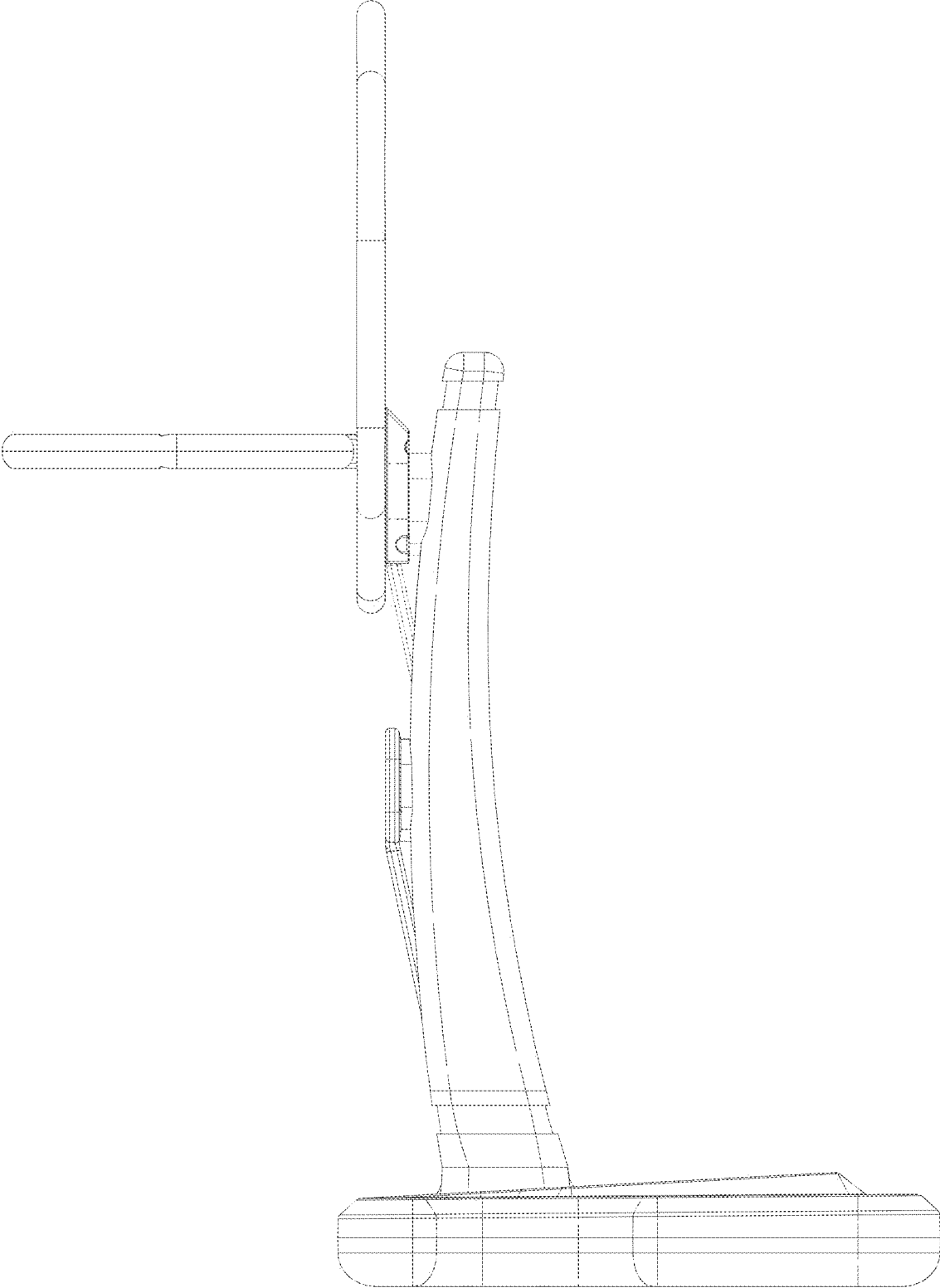


FIG. 5

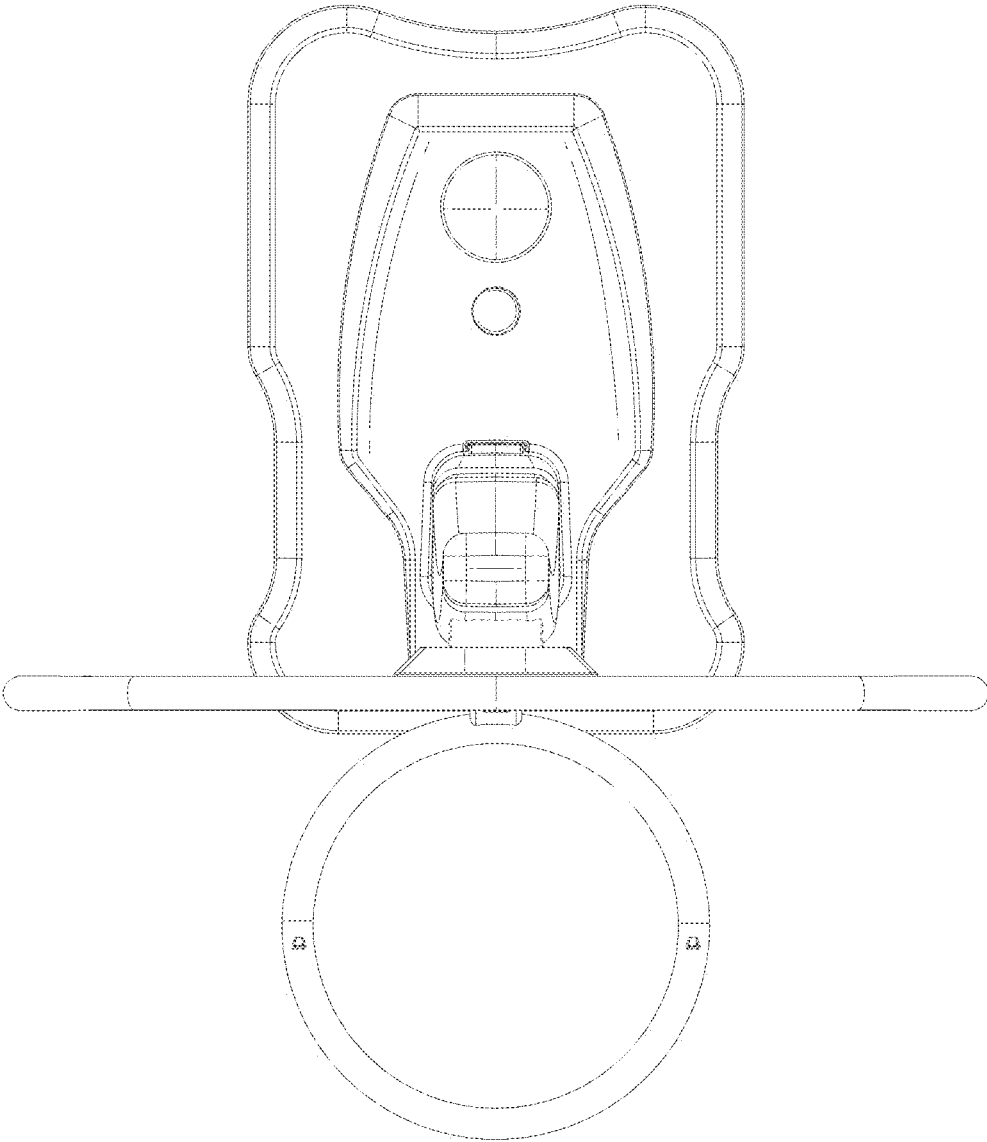


FIG. 6

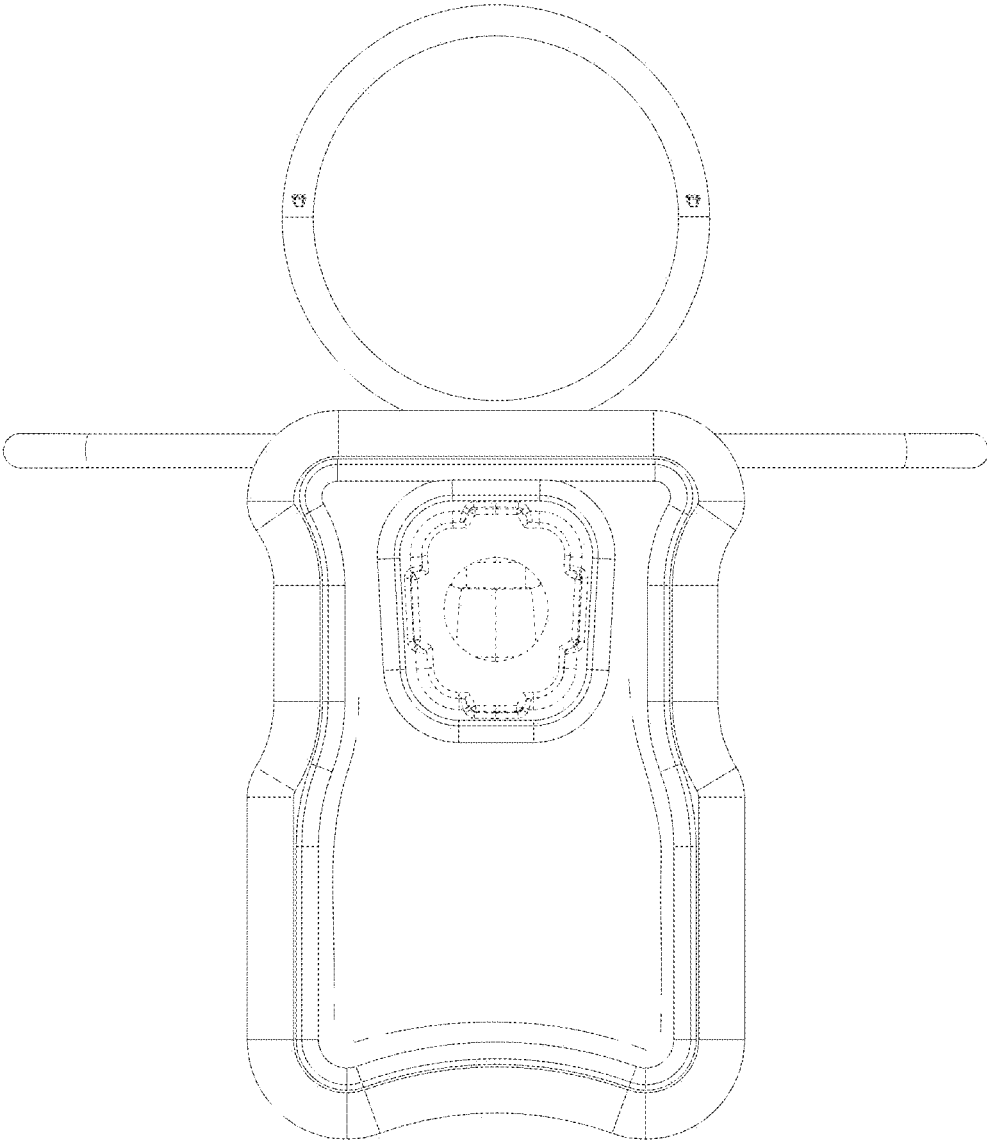


FIG. 7

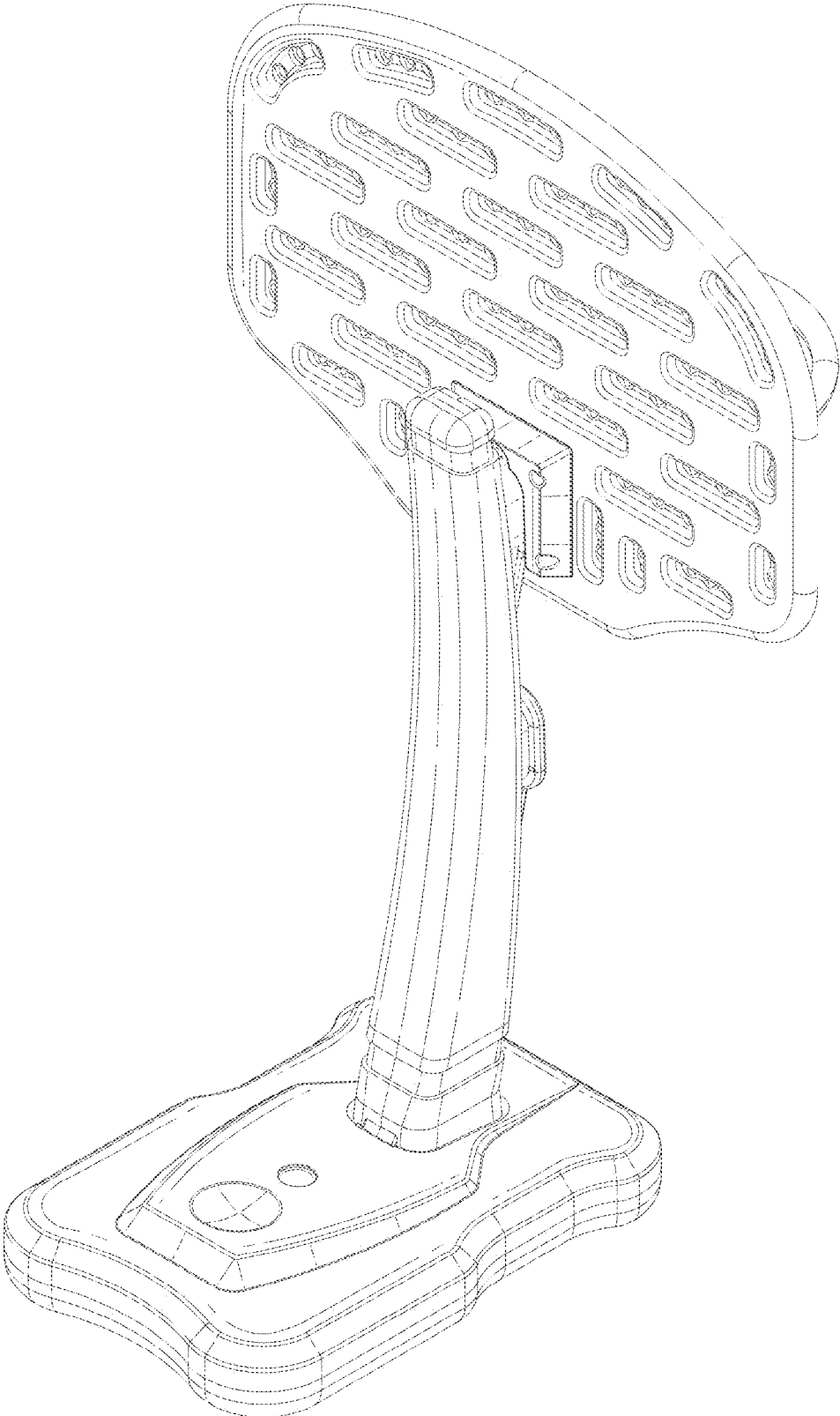


FIG. 8

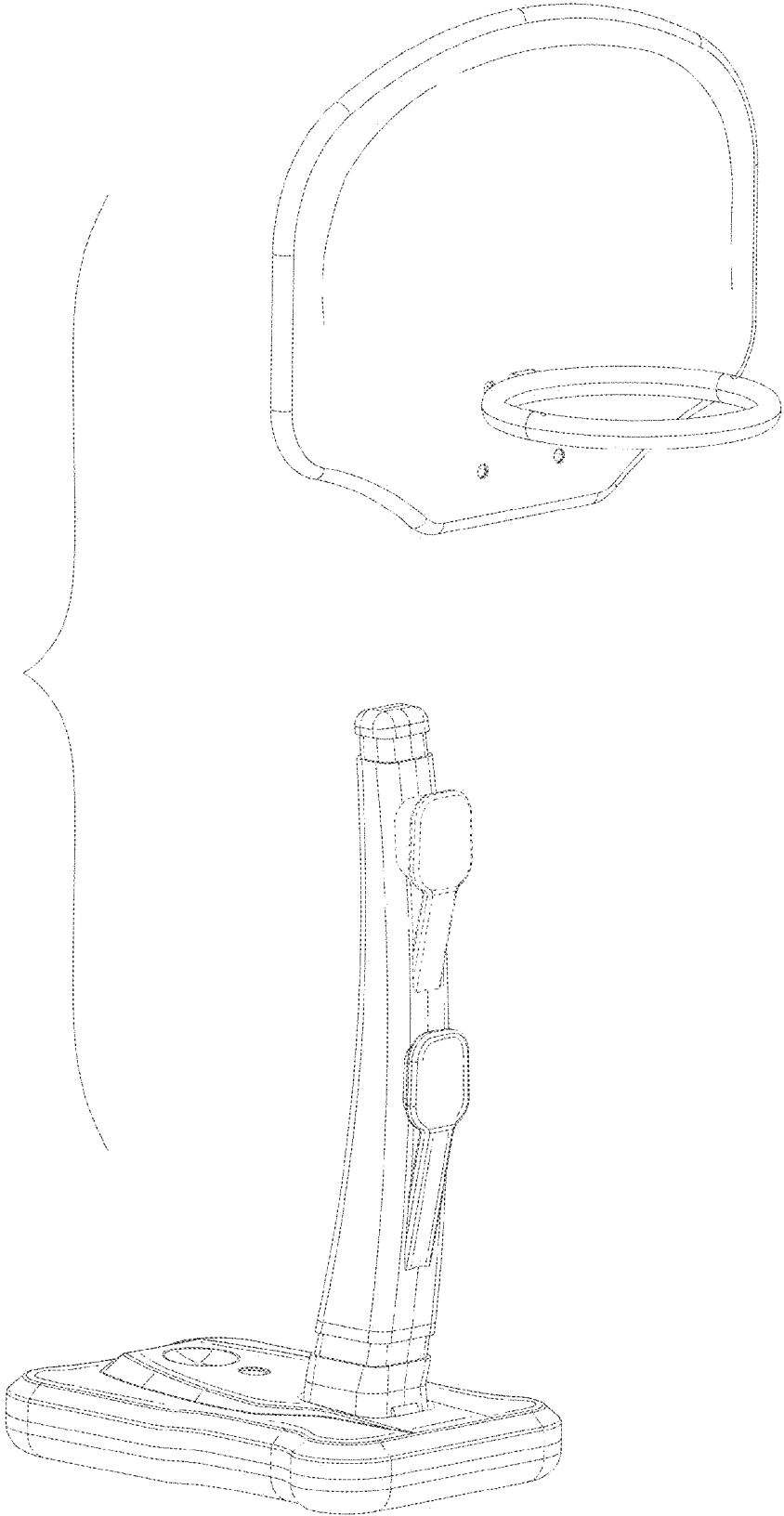


FIG. 9

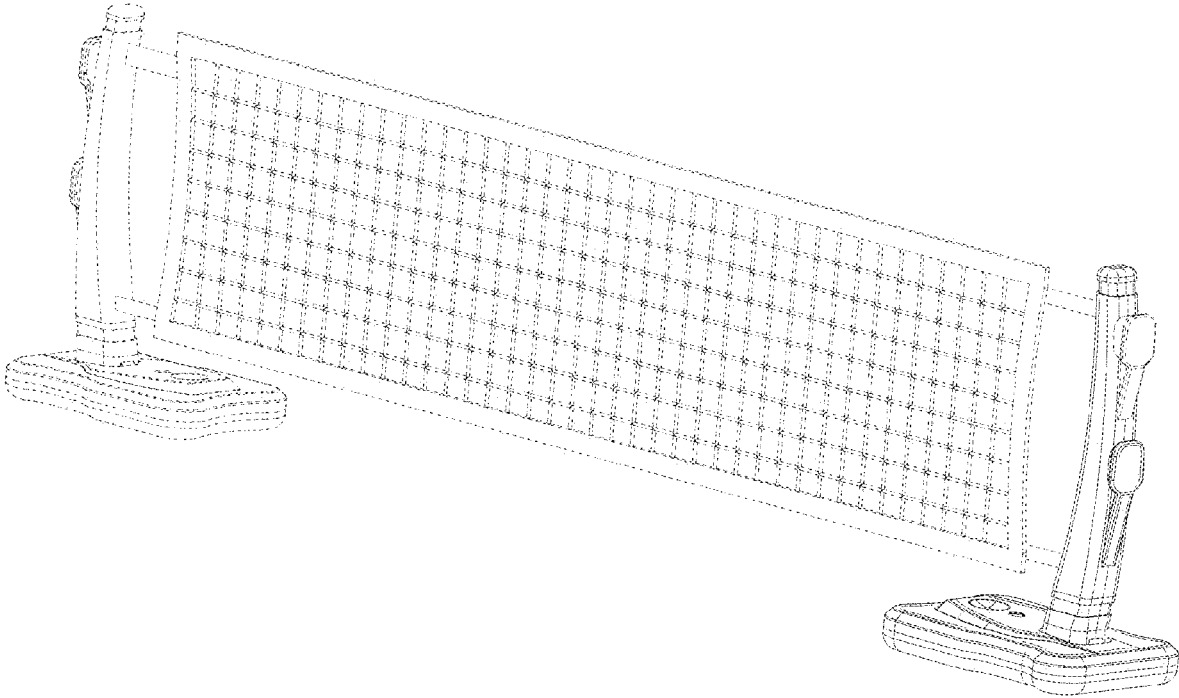


FIG. 10

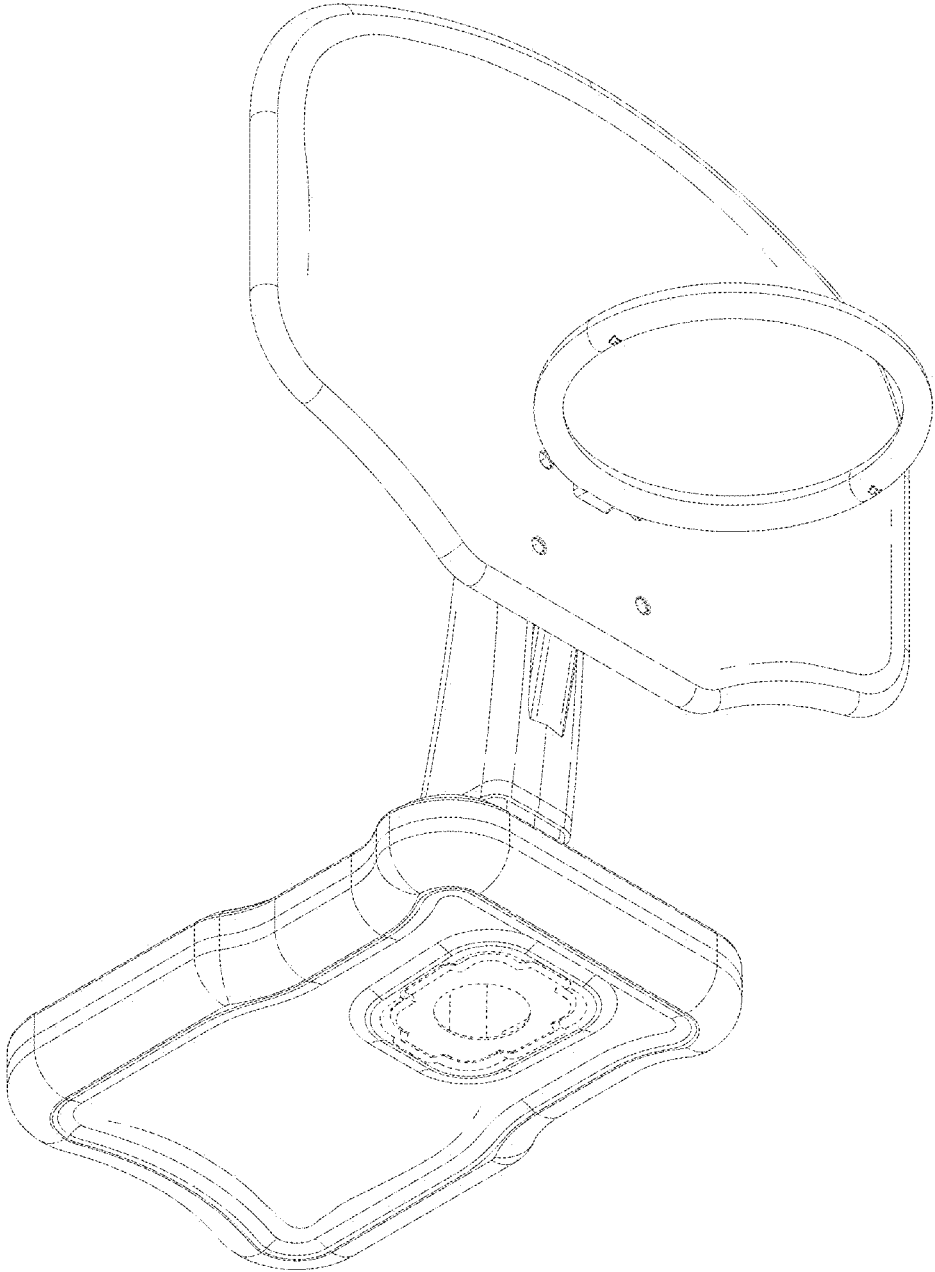


FIG. 11