



US00D792635S

(12) **United States Design Patent**
Reynolds

(10) **Patent No.:** **US D792,635 S**

(45) **Date of Patent:** **** Jul. 18, 2017**

(54) **HORTICULTURE GROW LIGHT**

- (71) Applicant: **IP Holdings, LLC**, Vancouver, WA (US)
- (72) Inventor: **Christopher Reynolds**, Vancouver, WA (US)
- (73) Assignee: **IP Holdings, LLC**, Vancouver, WA (US)
- (**) Term: **14 Years**
- (21) Appl. No.: **29/526,565**
- (22) Filed: **May 11, 2015**

Related U.S. Application Data

- (63) Continuation of application No. 29/498,791, filed on Aug. 7, 2014, now Pat. No. Des. 732,235.
- (51) **LOC (10) Cl.** **26-99**
- (52) **U.S. Cl.**
USPC **D26/118**
- (58) **Field of Classification Search**
USPC D26/24-26, 28, 51, 55-57, 59-64, 66, D26/72-91, 93, 113, 118-120, 122, 138,
(Continued)

(56) **References Cited**

U.S. PATENT DOCUMENTS

- 32,722 A 7/1861 Schmidlin
 - D46,253 S 8/1914 Kopp
- (Continued)

FOREIGN PATENT DOCUMENTS

- CA 2034710 A1 8/1991
 - EP 0325003 A1 7/1989
- (Continued)

OTHER PUBLICATIONS

Apollo Horticulture GLRCTAC 6" Air Cool Tube Grow Light Deluxe Glass Cylinder with Hood Reflector, image post date Oct. 15, 2010, site visted Oct. 3, 2014, (online), <http://www.amazon.com/apollo-horticulture-glrcctac-cylinder-reflector/dp/b003qkvv04/ref=pd_sbs_lg_5?ie=utf8&refrid=1y9v9qhh4n5vnctjmfr>.

(Continued)

Primary Examiner — Cynthia Ramirez
Assistant Examiner — Llorellys Martinez-Rivera
(74) *Attorney, Agent, or Firm* — J. Douglas Wells

(57) **CLAIM**

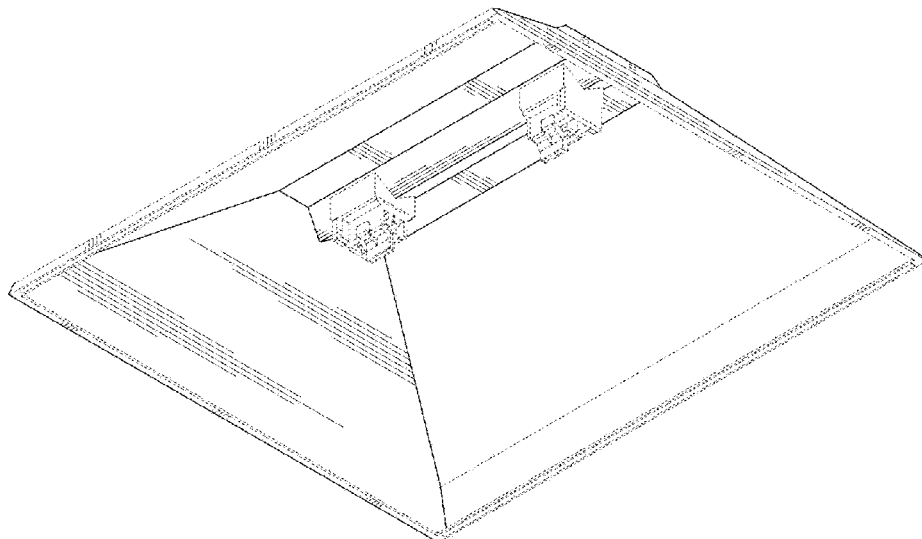
The ornamental design for a horticulture grow light, as shown and described.

DESCRIPTION

FIG. 1 is a bottom perspective view of a horticulture grow light showing my new design;
 FIG. 2 is a top perspective view of the horticulture grow light in FIG. 1;
 FIG. 3 is a left side elevation view of the horticulture grow light in FIG. 1;
 FIG. 4 is a right side elevation view of the horticulture grow light in FIG. 1;
 FIG. 5 is a front elevation view of the horticulture grow light in FIG. 1;
 FIG. 6 is a rear elevation view of the horticulture grow light in FIG. 1;
 FIG. 7 is a top plan view of the horticulture grow light in FIG. 1; and,
 FIG. 8 is a bottom plan view of the horticulture grow light in FIG. 1.

The broken-line disclosure shown in the views is understood to represent portions of the article in which the claimed design is embodied, but which form no part of the claimed design.

1 Claim, 6 Drawing Sheets



(58)	Field of Classification Search	4,669,033 A	5/1987	Lee
	USPC	D290,662 S	7/1987	Basil
	D26/140-142; 362/145-148, 150-153,	D300,877 S	4/1989	Cyr
	362/153.1, 217.01, 217.02,	4,855,884 A	8/1989	Richardson
	362/217.05-217.07, 217.1, 217.15, 218,	4,893,221 A	1/1990	Friedman
	362/223, 241, 249.02, 296.07, 296.08,	4,933,821 A	6/1990	Anderson
	362/294, 299, 311.02, 341-345, 362, 373,	4,939,629 A	7/1990	Glanton et al.
	362/563, 580, 600, 608, 609, 640, 641,	D311,597 S	10/1990	Poot
	362/805	4,970,428 A	11/1990	Hayakawa et al.
	CPC ..	4,980,809 A	12/1990	Baldwin et al.
	F21S 8/026; F21S 8/04; F21V 29/00; F21V	D316,301 S	4/1991	Michael
	29/004; F21V 29/2212; F21V 29/83;	5,065,294 A	11/1991	Poot, Jr.
	F21V 21/02; F21V 21/04; F21V 9/02;	5,072,349 A	12/1991	Waniga
	F21V 5/02; F21V 5/002; F21V 7/005;	D323,897 S	2/1992	Compton
	F21V 7/041; Y10S 362/805; Y10S	5,088,015 A	2/1992	Baggio
	385/901; Y10S 47/06	D329,104 S	9/1992	Dieperink
	See application file for complete search history.	D330,438 S	10/1992	Herst
		5,192,129 A	3/1993	Figueroa
		5,199,784 A	4/1993	Hempleman
		5,253,152 A	10/1993	Yang
		D349,358 S	8/1994	Herst
		5,353,746 A	10/1994	Del Rosario
		D352,126 S	11/1994	Ruud et al.
		5,440,470 A	8/1995	Ly
		5,461,554 A	10/1995	Leonetti et al.
		D365,159 S	12/1995	Tinen
		5,486,737 A	1/1996	Hrubowchak et al.
		5,510,676 A	4/1996	Cottaar et al.
		D373,000 S	8/1996	Brady
		5,555,162 A	9/1996	Shemitz
		D374,301 S	10/1996	Kleffman
		5,568,680 A	10/1996	Parker
		5,570,947 A	11/1996	Felland
		D376,437 S	12/1996	Karlo
		D377,993 S	2/1997	Herst
		5,621,267 A	4/1997	Shaffner
		D383,243 S	9/1997	Fry
		5,698,947 A	12/1997	Choi
		5,702,179 A	12/1997	Sidwell
		D391,632 S	3/1998	Thomas
		D396,319 S	7/1998	Sutton
		D397,481 S	8/1998	Schafer
		D399,328 S	10/1998	Compton
		D399,329 S	10/1998	Compton
		D399,587 S	10/1998	Compton
		D400,289 S	10/1998	Wardenburg
		5,816,694 A	10/1998	Ideker
		D401,006 S	11/1998	Edwards
		D405,976 S	2/1999	Beall
		5,896,004 A	4/1999	Feldman et al.
		5,924,789 A	7/1999	Thornton
		5,932,955 A	8/1999	Berger et al.
		5,938,317 A	8/1999	Thornton
		D415,304 S	10/1999	Brown
		5,983,564 A	11/1999	Stragnola
		5,987,697 A	11/1999	Song et al.
		5,999,943 A	12/1999	Nori
		D418,626 S	1/2000	Herst
		D419,248 S	1/2000	Lyons
		6,024,468 A	2/2000	Kassay
		6,042,250 A	3/2000	Stragnola
		6,051,927 A	4/2000	Graser et al.
		6,053,624 A	4/2000	Cronk
		D425,237 S	5/2000	Scott
		D425,652 S	5/2000	Brok
		D426,010 S	5/2000	Compton
		6,061,690 A	5/2000	Nori
		6,065,849 A	5/2000	Chen
		6,070,173 A	5/2000	Huber
		6,076,944 A	6/2000	Maranon
		6,079,851 A	6/2000	Altman
		D428,516 S	7/2000	Reo
		6,094,919 A	8/2000	Bhatia
		6,111,739 A	8/2000	Wu et al.
		6,152,579 A	11/2000	Reed et al.
		D439,008 S	3/2001	Kim
		D440,289 S	4/2001	Olson et al.
		6,210,025 B1	4/2001	Schmidt
		6,230,497 B1	5/2001	Morris et al.
(56)	References Cited			
	U.S. PATENT DOCUMENTS			
	1,410,945 A	3/1922	Mayfield	
	1,547,026 A	7/1925	Canney	
	1,798,567 A	3/1931	Wagenhorst	
	D85,049 S	9/1931	Kopp	
	D85,382 S	10/1931	Guth	
	1,848,734 A	3/1932	Luce	
	1,873,310 A	8/1932	Doane	
	1,930,070 A	10/1933	Zecher	
	1,987,705 A	1/1935	Pedersen	
	D106,614 S	10/1937	Waterbury	
	2,194,841 A	3/1940	Welch	
	D119,800 S	4/1940	Carter	
	D123,768 S	12/1940	Scribner	
	D125,559 S	3/1941	Biller	
	2,242,590 A	5/1941	Marcel	
	D128,049 S	7/1941	Kurtz	
	D135,375 S	3/1943	Biller	
	2,339,100 A	1/1944	Netting	
	2,348,617 A	5/1944	Furedy	
	D156,014 S	11/1949	Lazerson	
	2,492,946 A	1/1950	Barber	
	D174,221 S	3/1955	Hatch et al.	
	2,740,883 A	4/1956	Kruger	
	2,741,694 A	4/1956	Wiig	
	2,998,511 A	8/1961	Chan	
	3,025,391 A	3/1962	Golko	
	D193,802 S	10/1962	Thomsen	
	D195,012 S	4/1963	Hoyle	
	3,125,301 A	3/1964	Stotter	
	3,263,071 A	7/1966	Fabbri	
	3,272,978 A	9/1966	Jackson	
	3,322,946 A	5/1967	Cooper	
	3,420,995 A	1/1969	Dunckel	
	D213,391 S	2/1969	Bruno	
	3,433,941 A	3/1969	Hall	
	3,675,008 A	7/1972	Hill	
	3,701,898 A	10/1972	McNamara	
	3,755,667 A	8/1973	Price	
	3,829,677 A	8/1974	DeLlano	
	3,902,059 A	8/1975	McNamara	
	3,911,265 A	10/1975	Landrum	
	4,028,542 A	6/1977	McReynolds, Jr.	
	D245,016 S	7/1977	Barr	
	4,037,096 A	7/1977	Brendgord	
	4,078,169 A	3/1978	Armstrong	
	4,175,360 A	11/1979	Mulvey	
	4,229,782 A	10/1980	Ruud	
	D259,738 S	6/1981	Boschetti	
	4,308,473 A	12/1981	Carnes	
	D262,659 S	1/1982	Lalita	
	D266,578 S	10/1982	Moshier	
	D268,287 S	3/1983	Boschetti	
	D270,577 S	9/1983	DeVos	
	4,446,506 A	5/1984	Larson	
	4,531,180 A	7/1985	Hernandez	
	4,616,293 A	10/1986	Baliozian	

(56)

References Cited

U.S. PATENT DOCUMENTS

D443,198 S	6/2001	Snyder	D603,087 S	10/2009	Mo et al.
D443,949 S	6/2001	DiMonte	7,617,057 B2	11/2009	May et al.
6,247,830 B1	6/2001	Winnett	D605,342 S	12/2009	Chung
D445,943 S	7/2001	Littman	D608,490 S	1/2010	Chung
6,257,735 B1	7/2001	Baar	7,641,367 B2	1/2010	Hargreaves et al.
6,267,483 B1	7/2001	Hembery	7,654,702 B1	2/2010	Ding
D447,272 S	8/2001	Smith	D613,900 S	4/2010	Hargreaves
6,279,012 B1	8/2001	Sexton	D614,801 S	4/2010	Collins et al.
6,299,327 B1	10/2001	Camarota	7,722,228 B2	5/2010	Broer
D452,559 S	12/2001	Schonberger	D617,028 S	6/2010	Verfuert et al.
6,343,984 B1	2/2002	Langdon et al.	D620,190 S	7/2010	Chung
6,371,630 B1	4/2002	Unger	D621,993 S	8/2010	Jong
D456,927 S	5/2002	Russello	7,771,086 B2	8/2010	Goverde
D456,928 S	5/2002	Russello	D628,335 S	11/2010	Hyland
D456,938 S	5/2002	Wardenburg	7,854,534 B2	12/2010	Liu
D457,450 S	5/2002	Lamond et al.	D632,419 S	2/2011	Ng
D459,825 S	7/2002	Field	D633,247 S	2/2011	Kong
6,488,387 B2	12/2002	Wardenburg	D633,640 S	3/2011	Wauters
D469,564 S	1/2003	Brok	D634,060 S	3/2011	Wardenburg
6,527,422 B1	3/2003	Hutchison	D634,240 S	3/2011	Junkeer
6,548,948 B1	4/2003	Muessli	D634,468 S	3/2011	Hargreaves
6,595,662 B2	7/2003	Wardenburg	D634,469 S	3/2011	Hargreaves
6,601,972 B2	8/2003	Sei et al.	D637,162 S	5/2011	Bridgman
6,658,652 B1	12/2003	Alexander	D637,341 S	5/2011	Wardenburg
6,679,619 B2	1/2004	Saieva	D637,752 S	5/2011	Mekhtarian
D486,593 S	2/2004	Griffin	D640,404 S	6/2011	Chipperfield
6,688,759 B1	2/2004	Hadjimichael	7,959,331 B2	6/2011	Ho
6,709,131 B1	3/2004	Herst	D641,100 S	7/2011	Li
6,729,383 B1	5/2004	Cannell et al.	7,972,044 B2	7/2011	Burkhauser
6,783,263 B1	8/2004	Cronk	D644,185 S	8/2011	Hargreaves
D496,121 S	9/2004	Santoro	7,987,632 B2	8/2011	May et al.
D499,504 S	12/2004	Meyer	8,018,630 B2	9/2011	Herloski
D499,505 S	12/2004	Benensohn	8,038,318 B2	10/2011	Plunk
D504,343 S	4/2005	Ek	D648,652 S	11/2011	Hawkins
6,885,134 B2	4/2005	Kurashima et al.	D649,685 S	11/2011	Trzesniowski
6,908,212 B2	6/2005	Schultz	D650,515 S	12/2011	Bradley et al.
7,011,424 B1	3/2006	Poulson	D650,935 S	12/2011	Beghelli
7,083,309 B2	8/2006	Chan	8,113,696 B2	2/2012	Striebel
7,131,753 B1	11/2006	Edwards, Jr.	D655,403 S	3/2012	Zakula
7,156,539 B2	1/2007	Cronk	D657,748 S	4/2012	Hargreaves
7,175,309 B2	2/2007	Craw et al.	D660,252 S	5/2012	Hargreaves
D542,460 S	5/2007	Hargreaves	D661,370 S	6/2012	Zock
D543,652 S	5/2007	Hargreaves	D661,833 S	6/2012	Imajo
D543,654 S	5/2007	Hargreaves	8,209,912 B2	7/2012	Hargreaves et al.
D543,655 S	5/2007	Hargreaves	8,215,799 B2	7/2012	Vanden Eynden
7,213,948 B2	5/2007	Hein	D667,584 S	9/2012	Beghelli
D544,136 S	6/2007	Hargreaves	D668,370 S	10/2012	Guercio
D544,138 S	6/2007	Hargreaves	D671,259 S	11/2012	Chen
D544,139 S	6/2007	Hargreaves	D672,908 S	12/2012	Wilcox
D544,626 S	6/2007	Hargreaves	D672,911 S *	12/2012	Mayfield, III D26/120
D544,980 S	6/2007	Hargreaves	D673,324 S	12/2012	Mayfield
D544,981 S	6/2007	Hargreaves	8,334,640 B2	12/2012	Reed et al.
D544,982 S	6/2007	Hargreaves	D675,369 S	1/2013	Michaud
D544,983 S	6/2007	Hargreaves	8,348,481 B2	1/2013	Chang
D544,984 S	6/2007	Hargreaves	D675,772 S	2/2013	Tran
D544,985 S	6/2007	Hargreaves	8,371,726 B2	2/2013	Collins et al.
D544,987 S	6/2007	Hargreaves	D678,597 S	3/2013	Lehman
D544,994 S	6/2007	Hargreaves	D678,599 S	3/2013	Boyer et al.
D544,995 S	6/2007	Hargreaves	D679,848 S	4/2013	Pickard
D545,460 S	6/2007	Mason, II	D683,064 S	5/2013	Tuck
D545,484 S	6/2007	Hargreaves	8,505,224 B2	8/2013	Huang
D545,485 S	6/2007	Hargreaves	D689,238 S	9/2013	Halsey
D545,990 S	7/2007	Hargreaves	D689,986 S	9/2013	Lord
D545,994 S	7/2007	Hargreaves	D690,875 S	10/2013	McKenzie
D545,996 S	7/2007	Hargreaves	D693,959 S	11/2013	Boyer
D549,869 S	8/2007	Ward	D697,663 S	1/2014	Speier
7,296,914 B1	11/2007	Russello	D698,074 S	1/2014	Hargreaves
7,360,927 B2	4/2008	Oka	D698,075 S	1/2014	Klus
D569,024 S	5/2008	Redfern	D698,986 S *	2/2014	Reynolds D26/118
D572,858 S	7/2008	Santoro	D698,987 S	2/2014	Stanley
7,445,363 B2	11/2008	Vanden Eynden	D699,386 S	2/2014	Park
7,524,090 B2	4/2009	Hargreaves	D702,827 S	4/2014	Mase
7,534,011 B2	5/2009	Townsley	8,702,283 B2	4/2014	Bradley
D595,894 S	7/2009	Verfuert	D705,474 S	5/2014	Philips
D602,625 S	10/2009	Santoro	D705,974 S	5/2014	Blessitt
			8,723,086 B2	5/2014	McMahan
			D707,385 S	6/2014	Wardenburg
			D708,390 S	7/2014	Roos
			D710,528 S	8/2014	Wardenburg

(56)

References Cited

U.S. PATENT DOCUMENTS

8,801,235 B2	8/2014	Yurich	D765,306 S	8/2016	Wardenburg
D713,953 S	9/2014	Jepson	D766,756 S	9/2016	Franc
D714,988 S	10/2014	Park	D769,513 S	10/2016	Reynolds
D715,994 S	10/2014	Klus	D769,514 S	10/2016	Reynolds
D716,995 S	11/2014	Zhu	D770,079 S	10/2016	Stanley
D717,487 S	11/2014	Guzzini	D770,082 S	10/2016	Reynolds
D717,636 S	11/2014	Stanley	D770,670 S	11/2016	Reynolds
D720,488 S	12/2014	Toyohisa	D770,671 S	11/2016	Reynolds
D720,505 S	12/2014	Kersten	D771,301 S	11/2016	Stanley
8,905,575 B2	12/2014	Durkee	D771,304 S	11/2016	Goltche
D720,876 S	1/2015	Haverfield	D773,107 S	11/2016	Stanley
D721,844 S	1/2015	Lay	D775,406 S *	12/2016	Hargreaves D26/118
D722,654 S	2/2015	Martone	D775,760 S *	1/2017	Reynolds D26/118
D725,819 S	3/2015	Reynolds	D780,985 S	3/2017	Stanley
D725,820 S	3/2015	Hargreaves	D780,986 S	3/2017	Reynolds
8,967,821 B2	3/2015	Pickard	D781,492 S	3/2017	Reynolds
D726,359 S	4/2015	Grigore	D783,887 S	4/2017	Stanley
8,998,473 B1	4/2015	Anderson	2002/0073285 A1	6/2002	Butterworth
9,016,892 B1	4/2015	Scribante	2002/0141195 A1	10/2002	Peter
9,016,907 B2	4/2015	Stanley	2003/0031011 A1	2/2003	Miller
D728,848 S	5/2015	Reyes	2003/0191783 A1	10/2003	Wolczko
D729,435 S	5/2015	Arndt	2004/0240214 A1	12/2004	Whitlow
D730,556 S	5/2015	Toyohisa	2005/0117333 A1	6/2005	Yoshida
D731,103 S	6/2015	Wilke	2005/0160481 A1	7/2005	Todd
D731,109 S	6/2015	Wardenburg	2005/0233691 A1	10/2005	Horton
D731,701 S	6/2015	Hargreaves	2006/0231081 A1	10/2006	Kirakosyan
D732,233 S	6/2015	Reynolds	2006/0232984 A1	10/2006	Schuknecht
D732,234 S	6/2015	Rashidi Doust	2006/0282457 A1	12/2006	Williams
D732,235 S	6/2015	Reynolds	2007/0051321 A1	3/2007	Chang
D732,236 S	6/2015	Reynolds	2007/0070633 A1	3/2007	Eynden
D733,347 S	6/2015	Dungan	2007/0228993 A1	10/2007	Stuer et al.
D733,952 S	7/2015	Lay	2007/0246631 A1	10/2007	Brown
D733,960 S	7/2015	Howe	2007/0282806 A1	12/2007	Hoffman
D734,534 S	7/2015	Howe	2008/0059799 A1	3/2008	Scarлата
D735,391 S	7/2015	Blessitt	2008/0117617 A1	5/2008	Hargreaves et al.
D735,401 S	7/2015	Clements	2008/0130304 A1	6/2008	Rash
D736,450 S *	8/2015	Reynolds D26/118	2008/0178957 A1	7/2008	Thomas et al.
D737,498 S	8/2015	Stanley	2008/0205030 A1	8/2008	Hargreaves
9,110,209 B2	8/2015	Blessitt	2008/0205071 A1	8/2008	Townsley
D738,031 S	9/2015	Martins	2008/0212326 A1	9/2008	Chon
D739,595 S	9/2015	Reynolds	2008/0278950 A1	11/2008	Pickard
9,127,826 B2	9/2015	Boyer	2009/0166250 A1	7/2009	Subramanian et al.
D740,486 S	10/2015	Stanley	2009/0231840 A1	9/2009	Boehme et al.
D740,996 S	10/2015	Tragatschnig	2009/0262540 A1	10/2009	Hargreaves
D745,993 S	12/2015	Reynolds	2009/0276478 A1	11/2009	Soman
D747,029 S	1/2016	Reynolds	2009/0310373 A1	12/2009	Burkhauser
D747,538 S	1/2016	Hargreaves	2009/0316404 A1	12/2009	Mo
D747,825 S	1/2016	Reynolds	2009/0323335 A1	12/2009	Yang
D747,849 S	1/2016	Ingram	2010/0214789 A1	8/2010	Hawkes
D747,923 S	1/2016	Cornu	2010/0238661 A1	9/2010	Pfund
D748,319 S	1/2016	Johnson	2010/0277908 A1	11/2010	Hu
D748,320 S	1/2016	Johnson	2010/0277929 A1	11/2010	Hargreaves
D748,847 S	2/2016	Johnson	2010/0295468 A1	11/2010	Pedersen
D748,849 S	2/2016	Stanley	2010/0302768 A1	12/2010	Collins et al.
D748,850 S	2/2016	Johnson	2011/0169412 A1	7/2011	Yurich
D749,773 S	2/2016	Waible	2011/0203096 A1	8/2011	Hargreaves
D750,312 S	2/2016	Reynolds	2011/0259665 A1	10/2011	Morgan
D750,313 S	2/2016	Reynolds	2012/0051041 A1	3/2012	Edmond
D750,316 S	2/2016	Reynolds	2012/0092859 A1	4/2012	Gregoris
9,255,690 B2	2/2016	Dimitriadis	2012/0212883 A1	8/2012	Hargreaves
D750,831 S	3/2016	Clements	2012/0230035 A1	9/2012	Bradley, Jr. et al.
D751,244 S	3/2016	Reynolds	2012/0302768 A1	11/2012	Janka et al.
D751,245 S	3/2016	Stanley	2013/0077329 A1	3/2013	Hessling
D751,247 S	3/2016	Reynolds	2013/0083539 A1	4/2013	Dimitriadis
D753,654 S	4/2016	Eastwood	2013/0155685 A1	6/2013	Stanley
9,310,037 B2	4/2016	Cercone	2013/0242573 A1	9/2013	Petrsoiki
D756,016 S	5/2016	Hargreaves	2013/0250567 A1	9/2013	Edmond
D756,023 S	5/2016	Hoffer	2014/0378283 A1	12/2014	Qiu
D756,026 S	5/2016	Reynolds	2015/0023022 A1	1/2015	Stanley
D757,323 S	5/2016	Reynolds	2015/0098215 A1	4/2015	Torabifard
D757,326 S	5/2016	Reynolds	2015/0252992 A1	9/2015	Stanley
D757,346 S	5/2016	Stanley	2015/0252993 A1	9/2015	Stanley
9,335,038 B2	5/2016	Stanley	2015/0252994 A1	9/2015	Stanley
9,366,947 B2	6/2016	Miyata	2015/0260381 A1	9/2015	Verfuert
D762,320 S	7/2016	Reynolds			

(56)

References Cited

U.S. PATENT DOCUMENTS

FOREIGN PATENT DOCUMENTS

EP	0440274	A1	8/1991
WO	2008018000	A1	2/2008
WO	2009096775	A2	8/2009
WO	2011119451	A1	9/2011

OTHER PUBLICATIONS

Apollo Horticulture GLRLS24 6" Air Cooled Hydroponic Grow Light Glass Reflector Hood, image post date Oct. 15, 2010, site visited Oct. 3, 2014, (online), <http://www.amazon.com/apollo-horticulture-GLRLS24-hydroponic-reflector/dp/B00BMVK8HG/ref=cm_cd_qh_dp_i>.

Adjustable Reflector, image post date Apr. 23, 2012, site visited Sep. 23, 2015, http://web.archive.org/web/2012043260757/http://hydroponics-products.en.alibaba.com/product/519225678-213056444/adjustable_reflector_grow_light_hydroponics_greenhouse_horticulture_reflector_hood.html.

Agrotech Magnum Reflector, image post date Feb. 5, 2012, site visited Oct. 31, 2014, www.hydroponics.net/1136580.

Cree CR22, image post date Apr. 28, 2011, site visited Nov. 15, 2014, <http://ledsmagazine.com/content/dam/leds/migrated/objects/news/8/4/19/cree204272011.jpg>.

ZR series High Efficacy Troffer, image post date Apr. 13, 2012, site visited Oct. 31, 2014, www.cree.com/lighting/products.

Grow Lights Home Depot: Find many types of grow lights for your plant, published Dec. 22, 2012, online. Site visited Jun. 25, 2014. <http://besthomedecorfurniture.com/gardening-d%C3%A9cor/grow-lights-home-depot-few-things-to-consider-when-buying-grow-lighting-plants-online.html>.

LED Grow Light Comparison Test Review, Youtube.com, published Jun. 29, 2012, online. Site visited Jun. 25, 2014. www.youtube.com/watch?v=f-8oy0qbgrs.

Illuminator Pro-Series Hybrid 350W, wordpress.com, published Dec. 22, 2010, online, site visited Jun. 25, 2014. <http://growsetup.wordpress.com/category/grow-lights/>.

California Lightworks New SolarStorm 440W LED Grow Light with UVB, hydrobuilder.com, online. Site visited Jun. 25, 2014. http://hydrobuilder.com/solarstorm-440w-led-grow-light-with-uvb.html?dizid=strands_CLW-SS-440.

2013 Sunlight Supply Cataog, Issuu.com, published Aug. 1, 2013, online. Site visited Feb. 2, 2015. http://issuu.com/sunlightsupply/docs/2013_sunlightproductcatalog/49.

Pages 29 and 54 from 2014-2015 dealer catalog showing and describing Super Sun DE reflector published by Sunlight Supply, Inc. 2014.

Dominator XXXL Non AC Reflector pack of 3 Spec Sheet, GreenTreesHydroponics.com, date available Mar. 12, 2014, online. Site visited Feb. 3, 2015, <https://www.hydroponics.net/i/141477>.

Air Resistance: Distinguishing Between Laminar and Turbulent Flow, www.docstoc.com, Dec. 29, 2010, p. 1-6.

Sun Systems LEC 630 Light Emitting Ceramic Fixture, Spec Sheet for 906217—Sun System LEC 630 120 Volt w/3100 K Lamps, www.sunlightsupply.com/shop/bycategory/led-lighting/sun-system-lec-630-light-emitting-ceramic-fixture, online, updated Feb. 9, 2015. Site visited Mar. 30, 2015, p. 1.

Mohri, Mineko, International Preliminary Report on Patentability for PCT/US2014/014959, Jan. 19, 2016.

A3V Reflector, Titaness Light Shop, www.titanesslightshop.com/products-page/reflectors/a3v-reflector, online. Site visited Jan. 14, 2015.

G2V Grow Light Reflector, Titaness Light Shop, www.titanesslightshop.com/products-page/reflectors/g2v-grow-light-reflector, online. Site visited Jan. 14, 2015.

Sun Systems LEC 315—Reviews?, rollitup.com forum, published Oct. 23, 2013, online. Visited Nov. 8, 2016. <<http://rollitup.org/t/sun-systems-lec-315-reviews.742794>>.

Sun System LEC 315 120v Light Emitting Ceramic Metal Halide Fixture w/ Free Ratchet Light Hangers, Amazon.com, earliest review of Jul. 2, 2014, online. Visited Nov. 8, 2016<<https://www.amazon.com/sun-system-emitting-ceramic-fixture/dp/B00HBCV8TM>>.

LEC 315 Watt Grow Light Great Yield Reports!, YouTube.com, published Mar. 31, 2014, online. Visited Nov. 8, 2016. <<https://www.youtube.com/watch?v=QqcoW19KnUk>>.

Air Cooled Grow Lights, greensteamhydroponics.com, published May 24, 2014, online. Site visited Nov. 16, 2016. <http://web.archive.org/web/20140524103407/http://www.greenstreamhydroponics.com/aircooled-reflector-range-from-greenstream-hydroponics/prod_699.html>.

OG Air Cooled Parabolic Reflector Only—Make the Most of Your Grow Light, GroWell Hydroponics, <http://www.growell.co.uk/og-air-cooled-parabolic-reflector-only.html>, pp. 1-2, accessed Aug. 26, 2014.

1000 Watt Galaxy Grow Amp Double Ended Grow Light Packages, image post date Jan. 30, 2014, sited visited Jan. 8, 2016, <<http://www.ehydroponics.com/100-watt-galaxy-grow-amp-double-ended-grow-light-package.html>>.

2009-10-watt-light-set—TinEye, image post date May 23, 2012, site visited Jul. 8, 2016, <<https://www.tineye.com/search/2de39cf51f7a031139a80ce555e2f30d0abd5216/>>.

Square 10 Watt LED Grow Light, image post date Aug. 1, 2011, site visited Jul. 8, 2016, <<http://www.dhgate.com/store/product/hydroponic-vegetable-10-watt-led-grow-light/216755031.html>>.

Growlite HDE 600W-1000W Double Ended Lamp Concealed Vacuum Airflow Technology, Indoor Grow Science, site visited Aug. 3, 2016, <<http://www.indoorgrowscience.net/downloads/specs/hde.pdf>>.

* cited by examiner

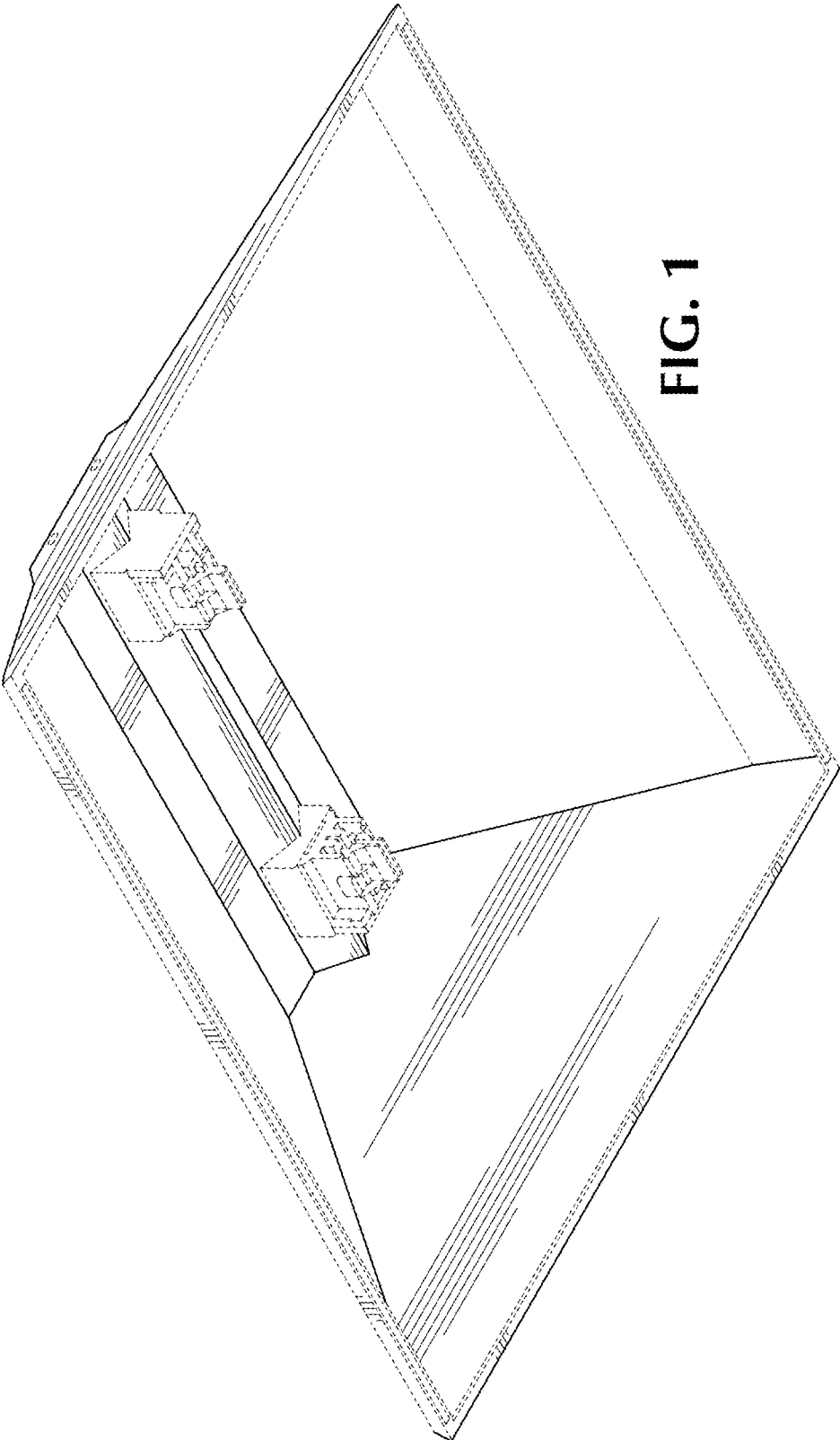


FIG. 1

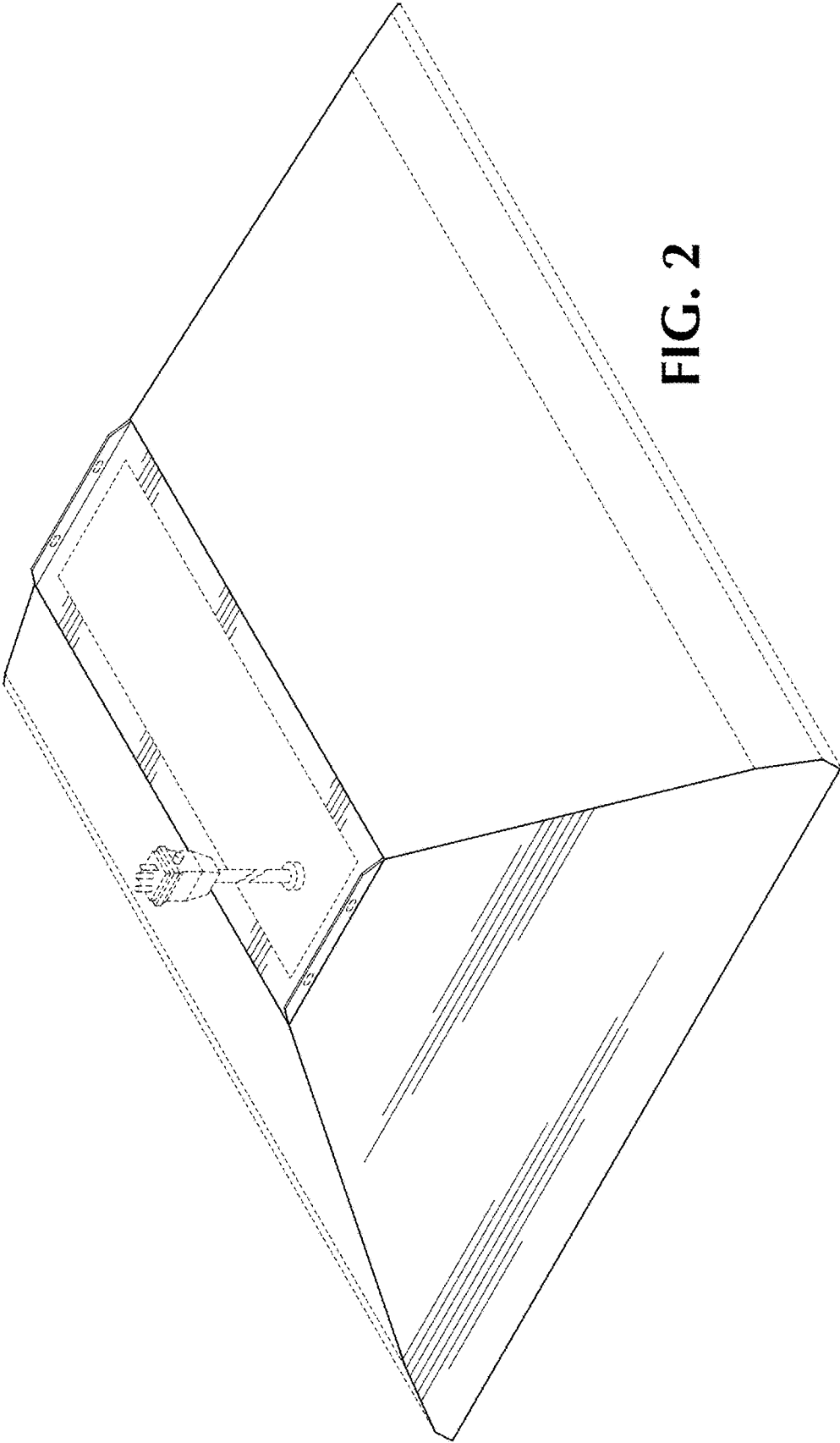


FIG. 2

FIG. 3

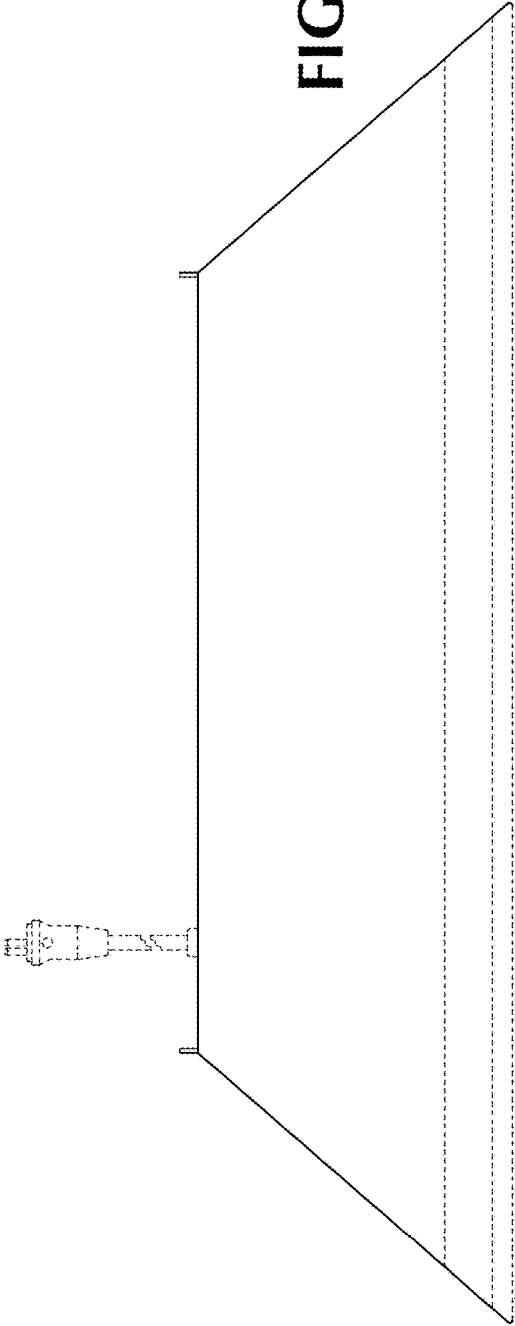
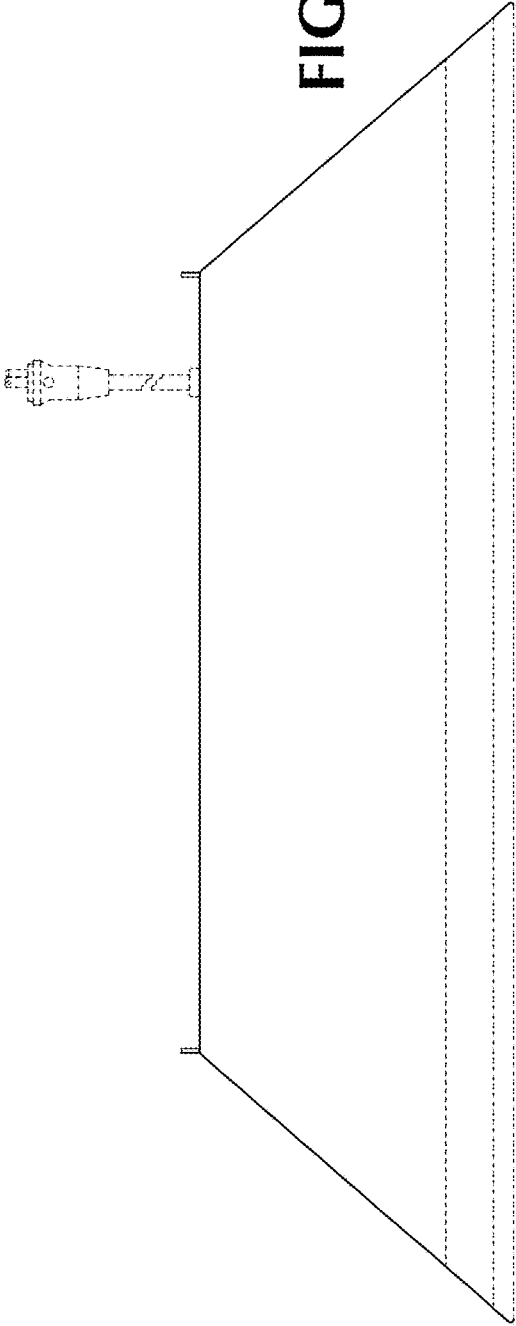


FIG. 4



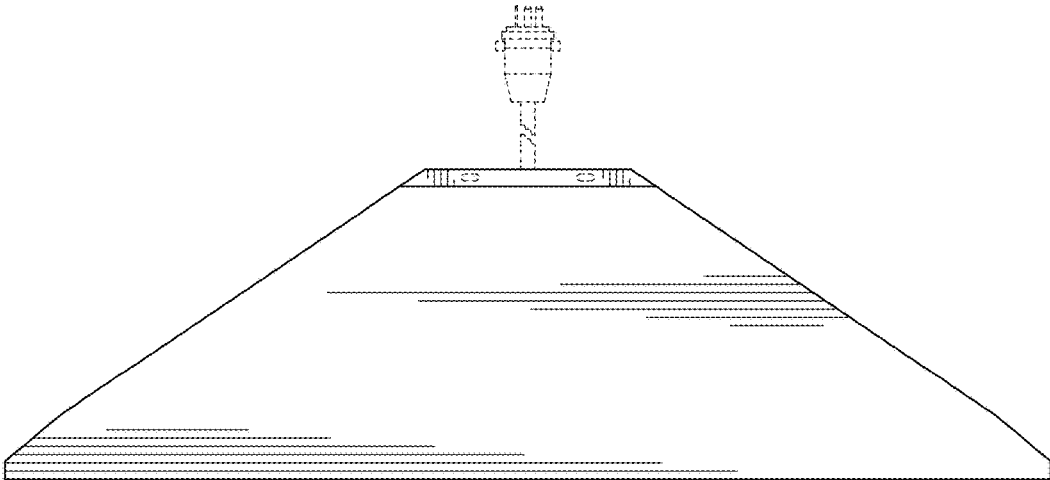


FIG. 5

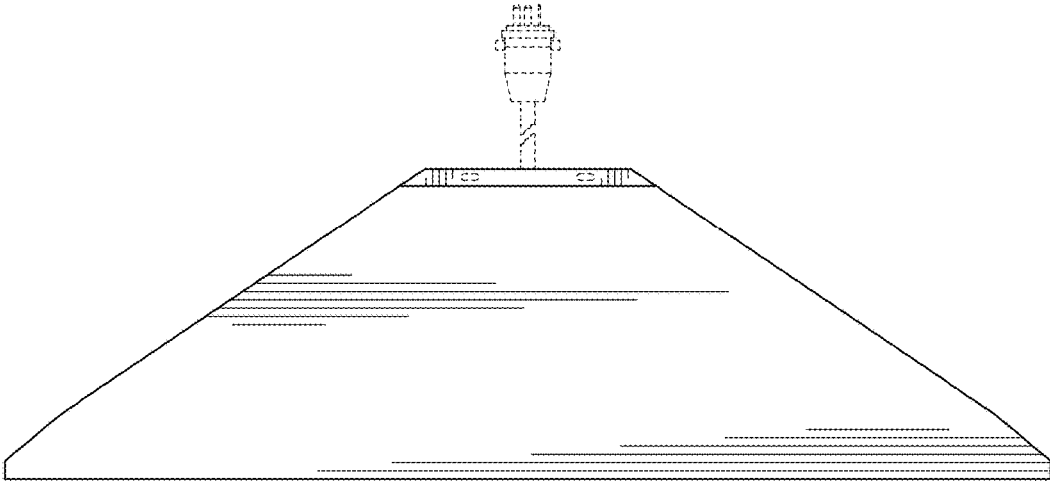


FIG. 6

FIG. 7

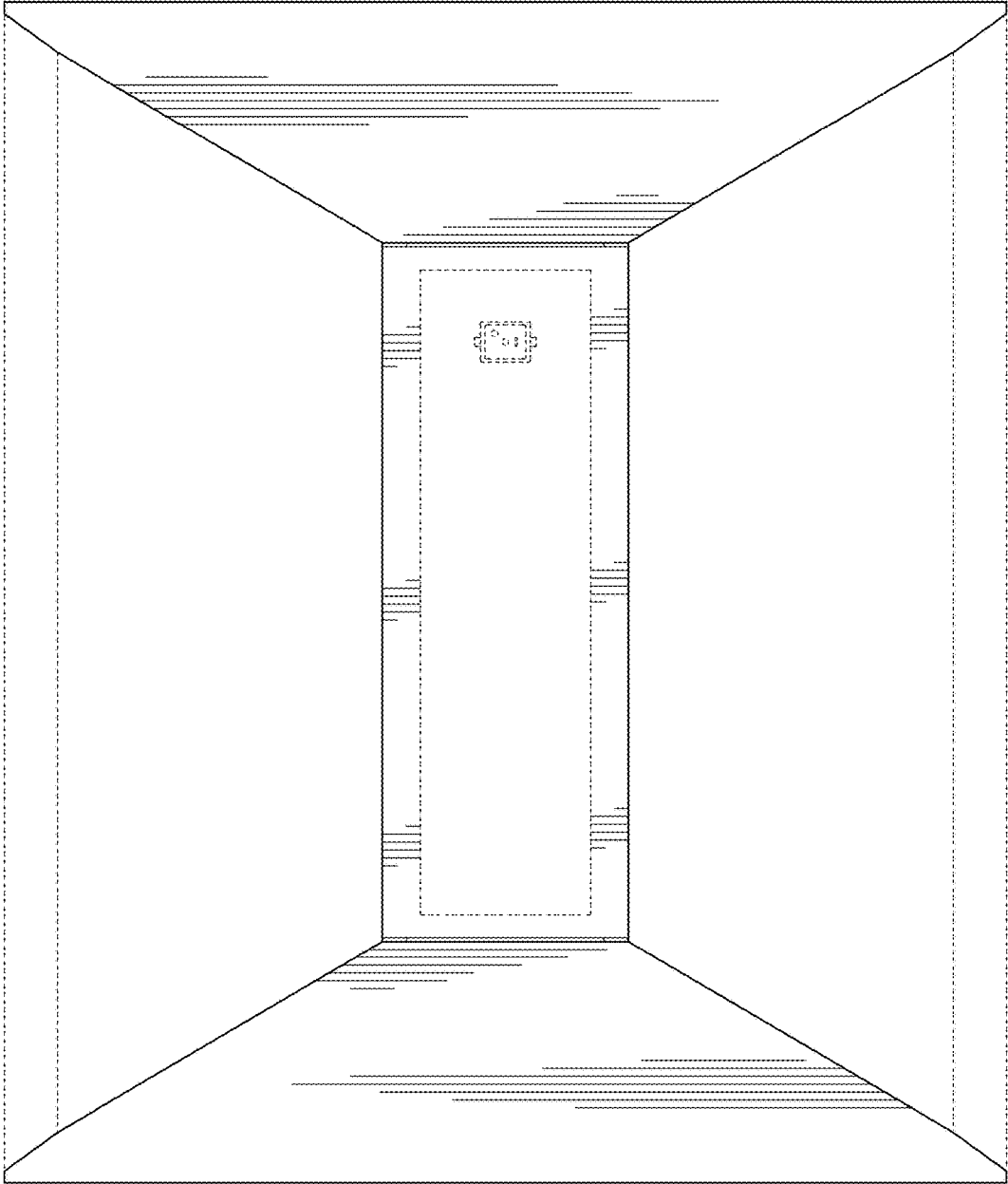


FIG. 8

