



(12) **United States Design Patent**
Bauer

(10) **Patent No.:** **US D799,864 S**
(45) **Date of Patent:** **** Oct. 17, 2017**

- (54) **TABLE**
- (71) Applicant: **Sheri Bauer**, Nyssa, OR (US)
- (72) Inventor: **Sheri Bauer**, Nyssa, OR (US)
- (**) Term: **14 Years**
- (21) Appl. No.: **29/506,081**
- (22) Filed: **Oct. 13, 2014**
- (51) **LOC (10) Cl.** **06-03**
- (52) **U.S. Cl.**
USPC **D6/691.1; D6/691.4**
- (58) **Field of Classification Search**
USPC D6/707.1, 642, 655.2, 685, 691, 691.6,
D6/691.7, 688.13, 691.1, 691.2, 707.19,
D6/691.8, 691.9, 701, 707, 707.23, 641,
D6/644, 656, 657, 656.19, 691.4, 691.5,
D6/691.3, 650, 708.23, 708.24
CPC A47B 7/00; A47B 13/08; A47B 13/10;
A47B 21/00; A47B 2009/006; A47B
11/00
See application file for complete search history.

D669,282 S * 10/2012 Yamamoto D6/691.6
D671,767 S * 12/2012 Pazhoor D6/643
D693,152 S * 11/2013 Yamamoto D6/656.15
D701,067 S * 3/2014 Lenterman D6/708.16
D702,979 S * 4/2014 Jannetides D6/349
(Continued)

OTHER PUBLICATIONS

Square Aluminum Table and Base [online]. Jet.com, 2016 [retrieved on Jul. 29, 2016]. Retrieved from the Internet:< <https://jet.com/product/Square-Aluminum-Table-and-Base/410d77bd85b04876b1c9b9b06ce439e3>>.*

(Continued)

Primary Examiner — Mary Ann Calabrese
Assistant Examiner — Sloan Rozin
(74) *Attorney, Agent, or Firm* — Jeffrey Parry Intellectual Property Law Group PLLC; Jeffrey C. Parry

(57) **CLAIM**

I claim the ornamental design for a table, as shown and described.

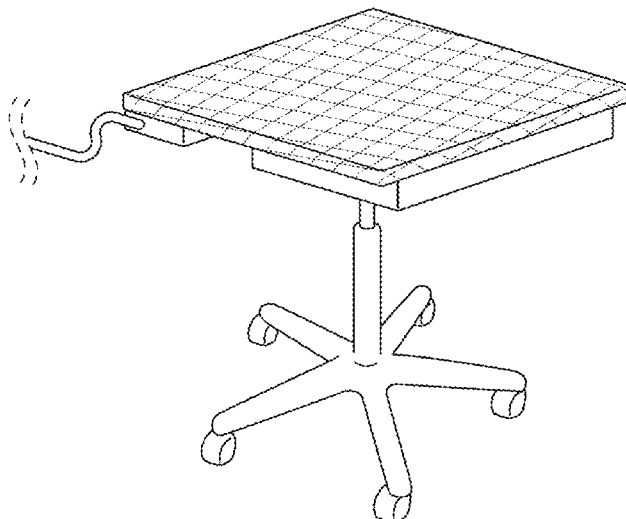
DESCRIPTION

FIG. 1 depicts a top perspective view of a table;
FIG. 2 depicts a top perspective view of a table having an open drawer;
FIG. 3 depicts a bottom perspective view of a table;
FIG. 4 depicts a top-rear perspective view of a table;
FIG. 5 depicts a bottom-rear perspective view of a table;
FIG. 6 depicts a plan view of a table; and,
FIG. 7 depicts an elevation view of a table.
The patterns of broken lines on the top and sides of the table, as depicted in the figures, are part of the claimed design and therefore included in the claimed subject matter. The broken wavy lines depicted at the end of the cord in FIGS. 1, 2, 3, 5, 6, and 7 represent a symbolic break in length of the cord and do not form part of the claimed subject matter.

(56) **References Cited**
U.S. PATENT DOCUMENTS

D441,991	S	*	5/2001	Fan	D6/648.4
D463,167	S	*	9/2002	Goodworth	D6/696.1
D463,168	S	*	9/2002	Goodworth	D6/650
D463,683	S	*	10/2002	Goodworth	D6/696.1
D463,684	S	*	10/2002	Goodworth	D6/696.1
D463,685	S	*	10/2002	Goodworth	D6/692.3
D463,686	S	*	10/2002	Goodworth	D6/656.15
D463,687	S	*	10/2002	Goodworth	D6/656.15
6,581,528	B2		6/2003	Tseng		
D476,504	S	*	7/2003	Jackson	D6/691.1
D518,318	S	*	4/2006	Koepke	D6/708.23
D530,542	S	*	10/2006	Rehmert	D6/691.1
D581,189	S	*	11/2008	Nazaretyan	D6/656.15
D615,324	S	*	5/2010	Yamamoto	D6/656.15
7,997,215	B2		8/2011	Keyzer		
D665,191	S	*	8/2012	Yamamoto	D6/656.15

1 Claim, 7 Drawing Sheets



(56)

References Cited

U.S. PATENT DOCUMENTS

D760,521 S * 7/2016 Galiotto D6/708.17
2002/0139906 A1 10/2002 Pan
2004/0107882 A1 6/2004 Zaremski et al.
2006/0191447 A1 8/2006 Ashby et al.
2008/0121150 A1 5/2008 Picchio

OTHER PUBLICATIONS

Euro Style Sam Teak Dining Table [online]. Hayneedle, 2016[retrieved on Jul. 29, 2016]. Retrieved from the Internet:<
http://www.hayneedle.com/product/samteakdiningtable.cfm?redirect=false&source=pla&kwid=DiningTables_EUS253&tid=EUS253-1&adtype=pla&kw=&gclid=CjwKEAjwrla9BRD5_dvqqazMrFESJACdv27GRJT7a8YB2Dx65sA8L-MaGs_ljprxhls9TJK16KofBoCRpHw_wcB>.*

* cited by examiner

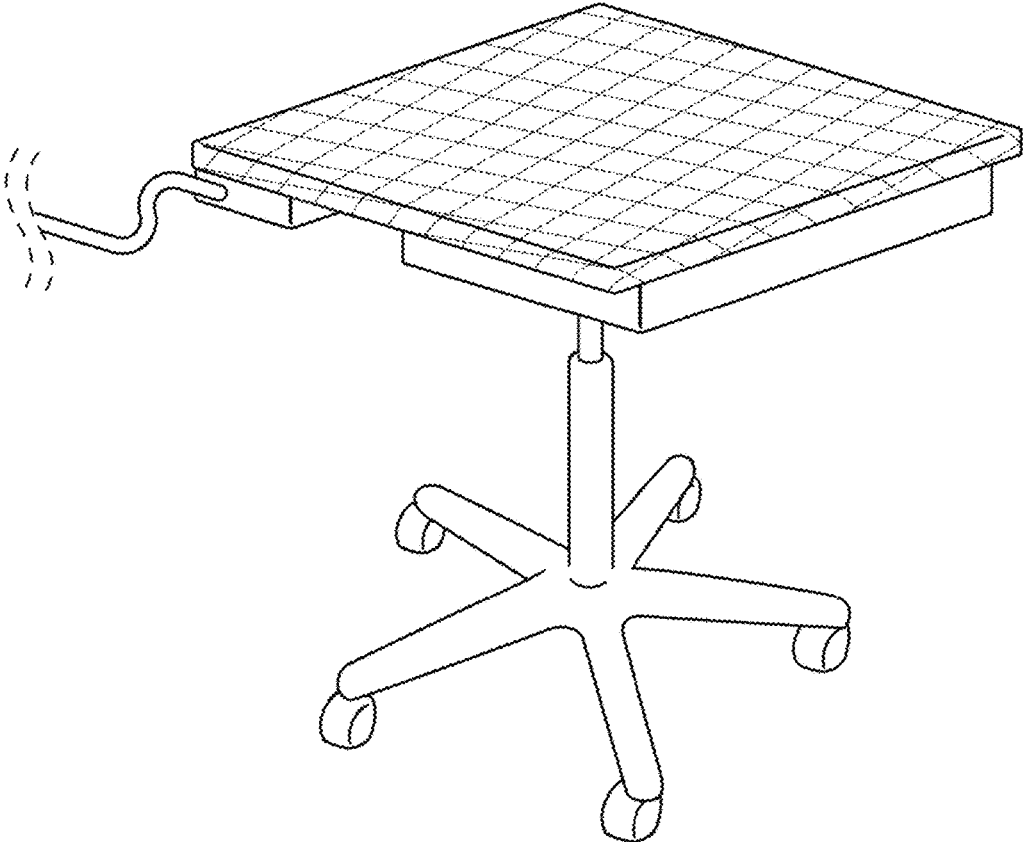


Fig. 1

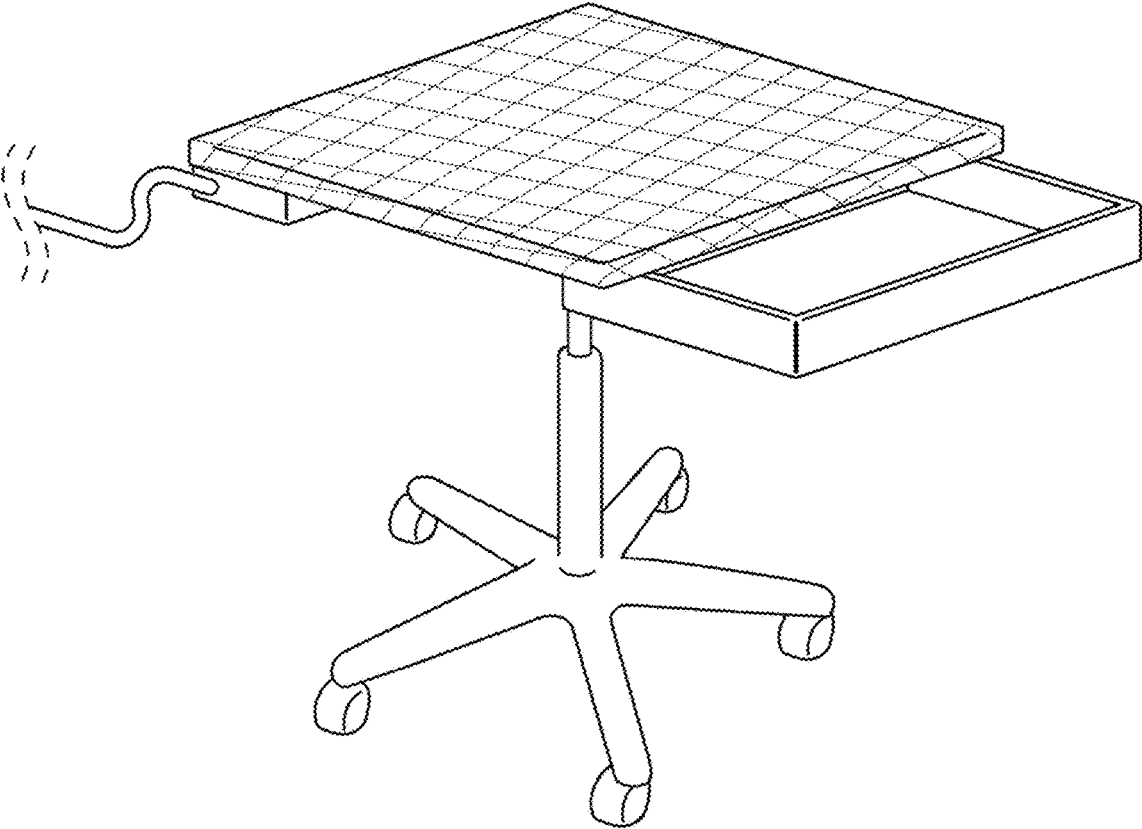


Fig. 2

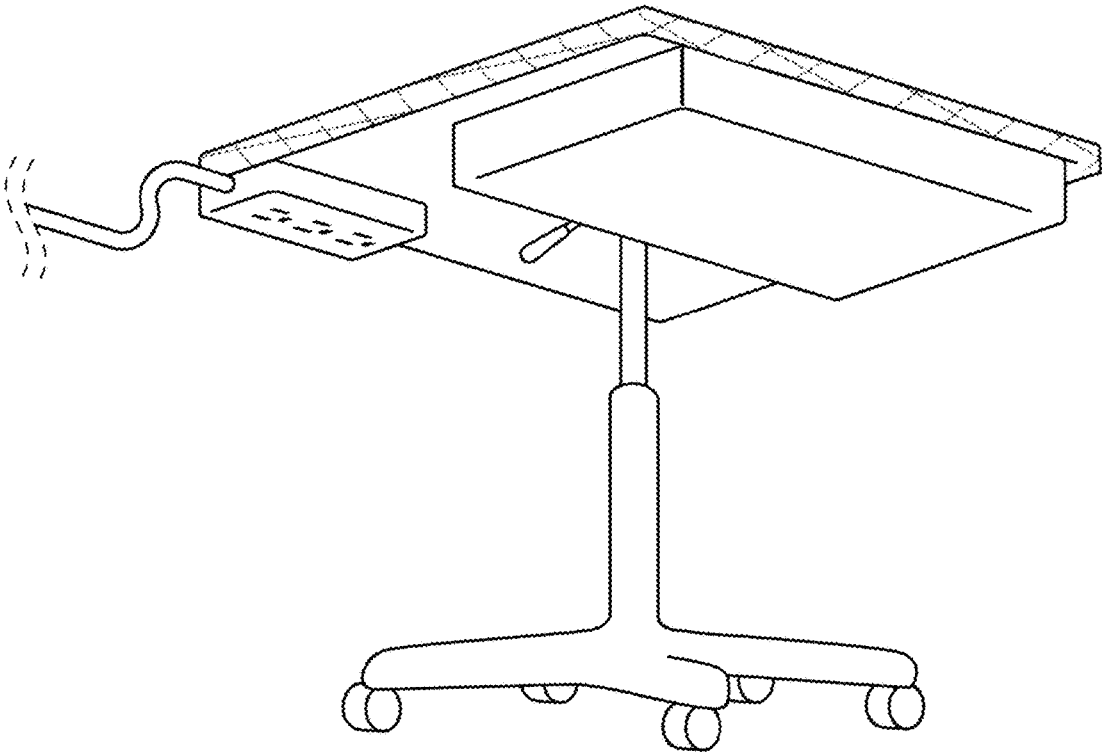


Fig. 3

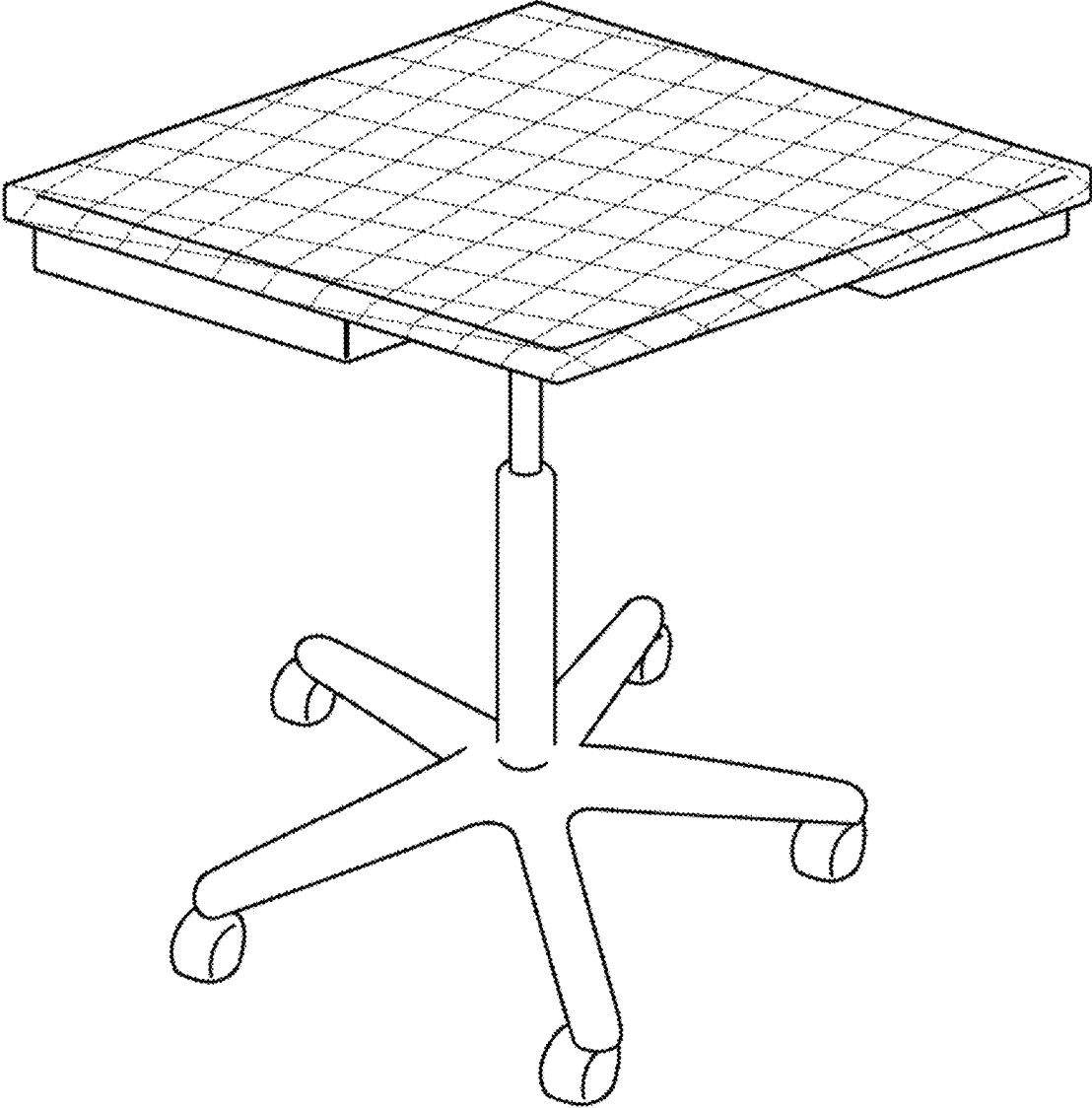


Fig. 4

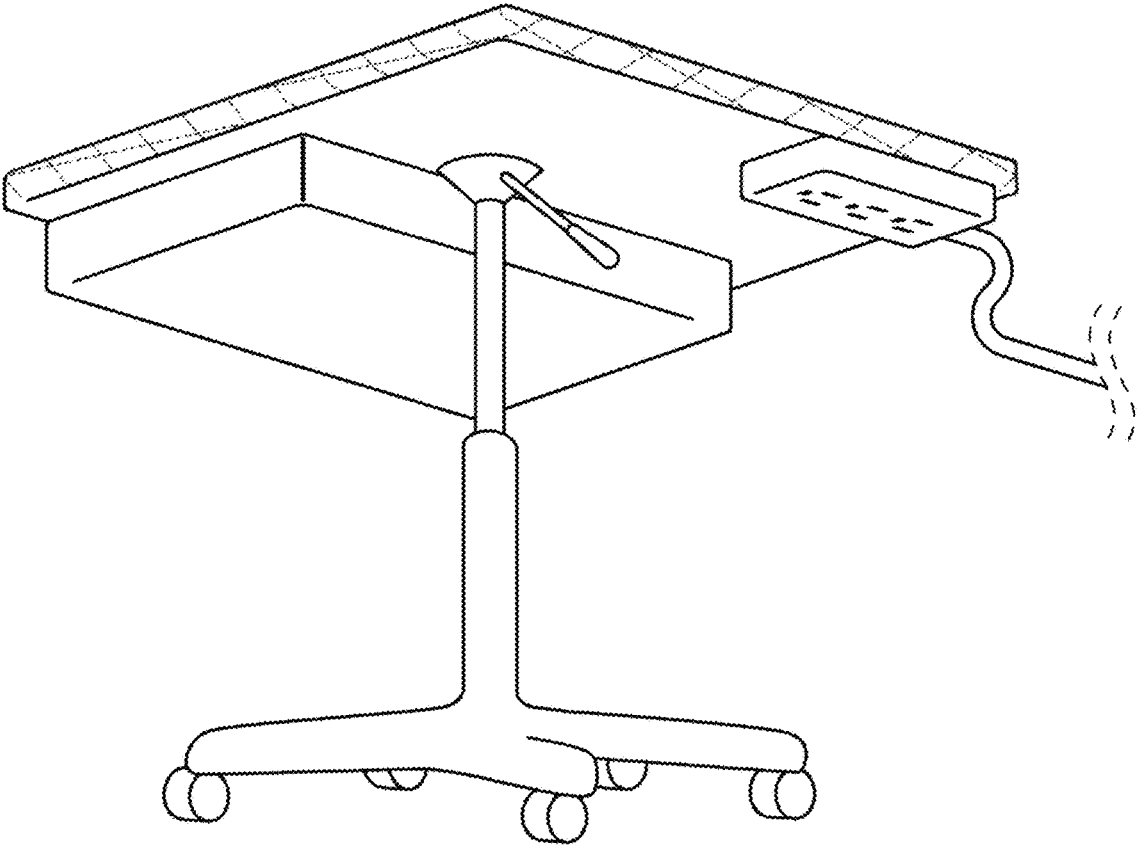


Fig. 5

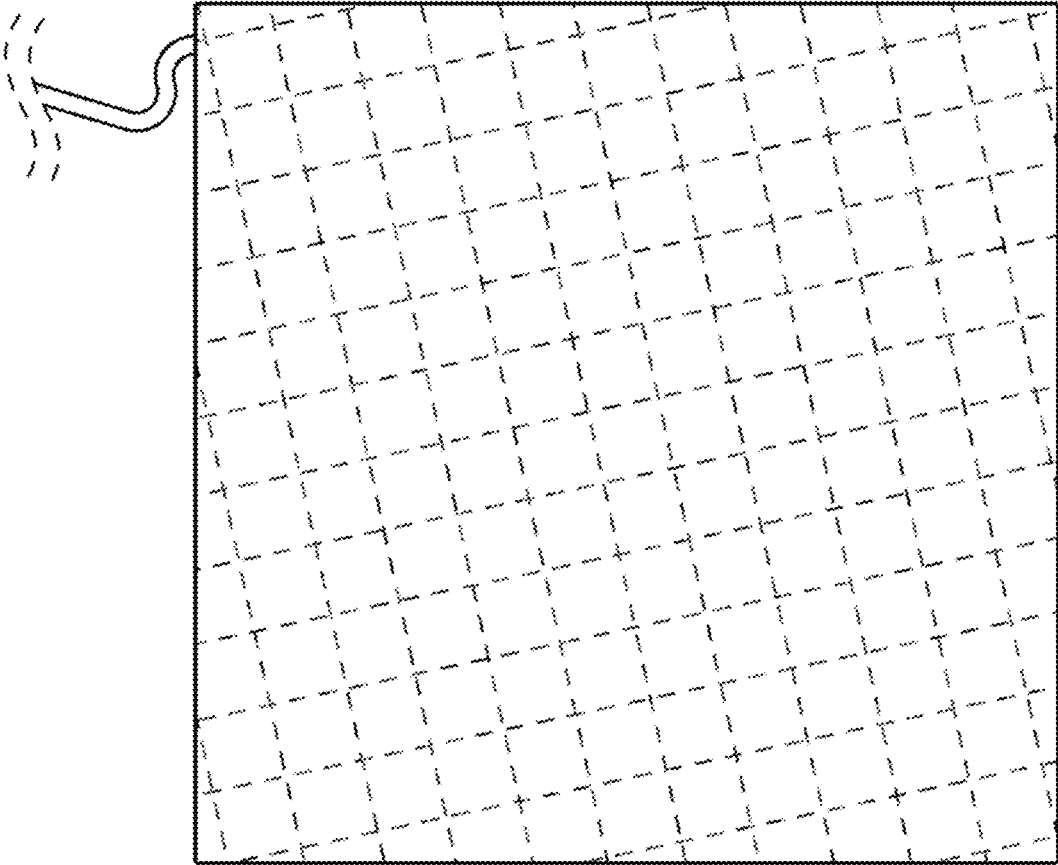


Fig. 6

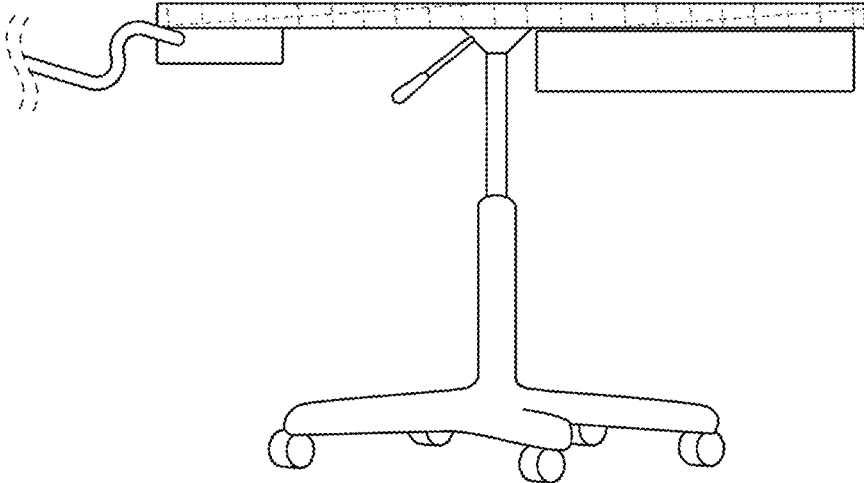


Fig. 7