

(19) World Intellectual Property Organization
International Bureau



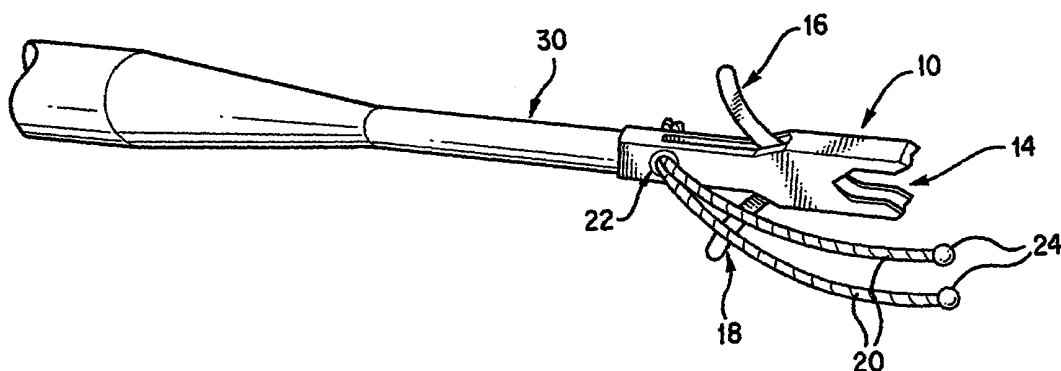
(43) International Publication Date
15 February 2001 (15.02.2001)

PCT

(10) International Publication Number
WO 01/10286 A3

- (51) International Patent Classification⁷: A61B 17/56 (81) Designated States (*national*): AU, CA, JP.
- (21) International Application Number: PCT/US00/19562 (84) Designated States (*regional*): European patent (AT, BE, CH, CY, DE, DK, ES, FI, FR, GB, GR, IE, IT, LU, MC, NL, PT, SE).
- (22) International Filing Date: 2 August 2000 (02.08.2000)
- (25) Filing Language: English Published: — With international search report.
- (26) Publication Language: English (88) Date of publication of the international search report: 5 July 2001
- (30) Priority Data: 09/369,273 6 August 1999 (06.08.1999) US
- (71) Applicant and
(72) Inventor: THAL, Raymond [US/US]; 11321 Bright Pond Lane, Reston, VA 22094 (US).
- (74) Agents: GITLER, Stewart, L. et al.; Hoffman, Wasson & Gitler, PC, Suite 522, 2361 Jefferson Davis Highway, Arlington, VA 22202 (US).
- For two-letter codes and other abbreviations, refer to the "Guidance Notes on Codes and Abbreviations" appearing at the beginning of each regular issue of the PCT Gazette.*

(54) Title: SNAGGING KNOTLESS SUTURE ANCHOR ASSEMBLY



(57) Abstract: A snagging knotless suture anchor assembly for attachment of tissue to bone mass. The anchor assembly includes one or more suture elements (20) attached to the anchor (10). The one or more suture elements (20) are captured by a snag means or recess (14) located on the anchor means (10). Once the one or more suture elements (20) are captured, the anchor (10) is inserted securely into the bone mass which facilitates a repair of torn away soft tissue.



WO 01/10286 A3

INTERNATIONAL SEARCH REPORT

International application No.
PCT/US00/19562

A. CLASSIFICATION OF SUBJECT MATTER

IPC(7) : A61B 17/56
US CL : 606/72

According to International Patent Classification (IPC) or to both national classification and IPC

B. FIELDS SEARCHED

Minimum documentation searched (classification system followed by classification symbols)

U.S. : 606/72, 73, 74, 75, 232, 233

Documentation searched other than minimum documentation to the extent that such documents are included in the fields searched

Electronic data base consulted during the international search (name of data base and, where practicable, search terms used)

C. DOCUMENTS CONSIDERED TO BE RELEVANT

Category*	Citation of document, with indication, where appropriate, of the relevant passages	Relevant to claim No.
A, P	US 5,957,953 A (DIPOTO et al) 28 September 1999, see all document.	1-11
A	US 5,725,557 A (GATTURNA et al) 10 March 1998, see all document.	1-11
A	US 5,891,168 A (THAL) 06 April 1999, see all document.	1-11

Further documents are listed in the continuation of Box C. See patent family annex.

<p>* Special categories of cited documents:</p> <p>*A* document defining the general state of the art which is not considered to be of particular relevance</p> <p>*E* earlier document published on or after the international filing date</p> <p>*L* document which may throw doubts on priority claim(s) or which is cited to establish the publication date of another citation or other special reason (as specified)</p> <p>*O* document referring to an oral disclosure, use, exhibition or other means</p> <p>*P* document published prior to the international filing date but later than the priority date claimed</p>	<p>*T* later document published after the international filing date or priority date and not in conflict with the application but cited to understand the principle or theory underlying the invention</p> <p>*X* document of particular relevance; the claimed invention cannot be considered novel or cannot be considered to involve an inventive step when the document is taken alone</p> <p>*Y* document of particular relevance; the claimed invention cannot be considered to involve an inventive step when the document is combined with one or more other such documents, such combination being obvious to a person skilled in the art</p> <p>*&* document member of the same patent family</p>
--	---

Date of the actual completion of the international search

20 SEPTEMBER 2000

Date of mailing of the international search report

16 OCT 2000

Name and mailing address of the ISA/US
Commissioner of Patents and Trademarks
Box PCT
Washington, D.C. 20231

Facsimile No. (703) 305-3230

Authorized officer

EDUARDO C. ROBERT *Diane Smith for*

Telephone No. (703) 305-7333