



(12) **United States Design Patent**
Kline et al.

(10) **Patent No.:** **US D800,639 S**
(45) **Date of Patent:** **** Oct. 24, 2017**

- (54) **TIRE**
- (71) Applicant: **Maxam Tire North America**, Danvers, MA (US)
- (72) Inventors: **Troy Kline**, Peabody, MA (US);
Matthew Fagan, Quincy, MA (US)
- (73) Assignee: **Maxam Tire North America Inc.**, Danvers, MA (US)
- (**) Term: **15 Years**
- (21) Appl. No.: **29/535,544**

D472,200	S	*	3/2003	Bonko	D12/544
D498,203	S	*	11/2004	Shapiro	D12/501
D499,065	S	*	11/2004	Shapiro	D12/501
6,845,796	B2	*	1/2005	Katoh	B29D 30/02
						152/209.1
D610,072	S	*	2/2010	Wallet	D12/579
D615,920	S	*	5/2010	Kline	D12/570
D631,821	S	*	2/2011	Kline	D12/570
D633,859	S	*	3/2011	Shan	D12/579
D636,721	S	*	4/2011	Wallet	D12/579
D664,914	S	*	8/2012	Dixon	D12/579
D678,183	S	*	3/2013	Larregain	D12/579
D741,249	S	*	10/2015	Kouda	D12/558
D748,568	S	*	2/2016	Helin	D12/570
D756,292	S	*	5/2016	Yoon	D12/545
D777,092	S	*	1/2017	Leconte	D12/564

(Continued)

- (22) Filed: **Aug. 7, 2015**
- (51) **LOC (10) Cl.** **12-15**
- (52) **U.S. Cl.**
USPC **D12/579**
- (58) **Field of Classification Search**
USPC D12/500-579; 152/209.12
CPC . B60C 11/0306; B60C 11/11; B60C 11/0318;
B60C 2200/14
See application file for complete search history.

OTHER PUBLICATIONS

Prowler Tracks. ProFlex Solid Skid Steer Tire Specifications. Mar. 10, 2014 [earliest online date], [site visited Aug. 23, 2016]. Available from Internet, <URL:http://www.prowlertracks.com/skid-steer-tires/>.*

(Continued)

Primary Examiner — Robert M Spear
Assistant Examiner — Darcey E Heflin

(56) **References Cited**

U.S. PATENT DOCUMENTS

D57,363	S		3/1921	Lambert		
D57,878	S	*	5/1921	Waters	152/324
1,395,576	A		11/1921	Jennings		
1,524,718	A		2/1925	Leach		
D126,072	S	*	3/1941	Hardeman	D12/599
D168,675	S	*	1/1953	Custer	152/209.12
D168,714	S	*	1/1953	Schlichtmann	D12/593
3,770,038	A	*	11/1973	Wolfe	B60C 11/0311
						152/209.12
5,173,136	A	*	12/1992	Agarwal	B60C 9/1821
						152/209.12
5,343,916	A		9/1994	Duddey		
D401,896	S	*	12/1998	Chandler	D12/501
D402,245	S	*	12/1998	Bonko	D12/537

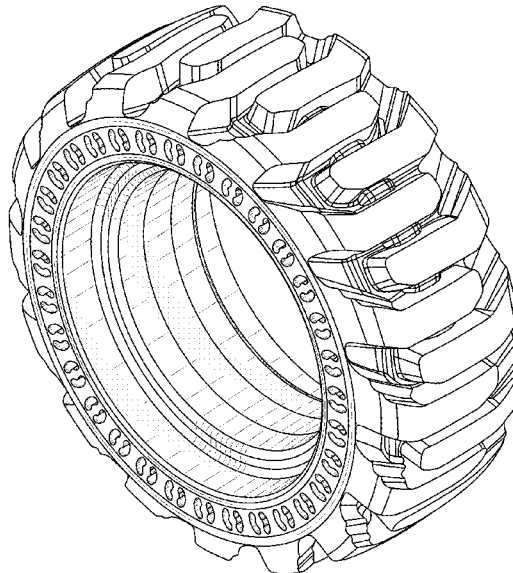
(57) **CLAIM**

The ornamental design for a tire, as shown and described.

DESCRIPTION

FIG. 1 is a first side view of a tire;
FIG. 2 is a front view of the tire, the back view of the tire being identical thereto;
FIG. 3 is a second side view of the tire, opposite the first side of FIG. 1; and,
FIG. 4 is a perspective view of the tire.

1 Claim, 4 Drawing Sheets



(56)

References Cited

U.S. PATENT DOCUMENTS

D780,672 S * 3/2017 Yoon D12/563

OTHER PUBLICATIONS

Undated prior art tire brochure/photo—Crocodile.
Undated prior art tire brochure/photo—GPX tire.
Undated prior art tire brochure/photo—GPX-2.
Undated prior art tire brochure/photo—McLaren.
Undated prior art tire brochure/photo—Setco.
Undated prior art tire brochure/photo—SG-Revolution.
Undated prior art tire brochure/photo—Solideal.
Undated prior art tire brochure/photo—Ty-Cushion.
Design U.S. Appl. No. 29/535,545, filed Aug. 7, 2015.
Design U.S. Appl. No. 29/535,547, filed Aug. 7, 2015.
Design U.S. Appl. No. 29/535,548, filed Aug. 7, 2015.

* cited by examiner

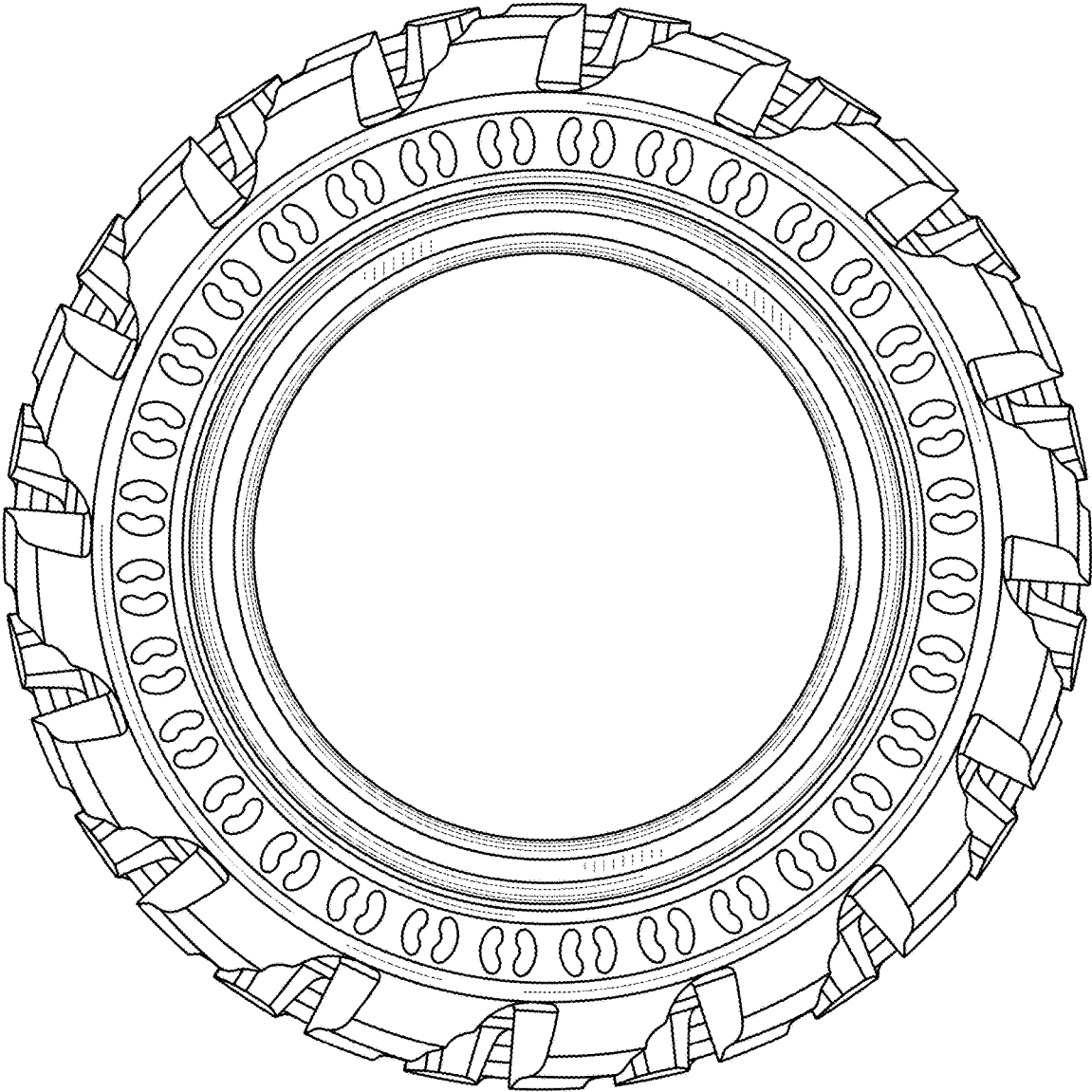


FIG. 1

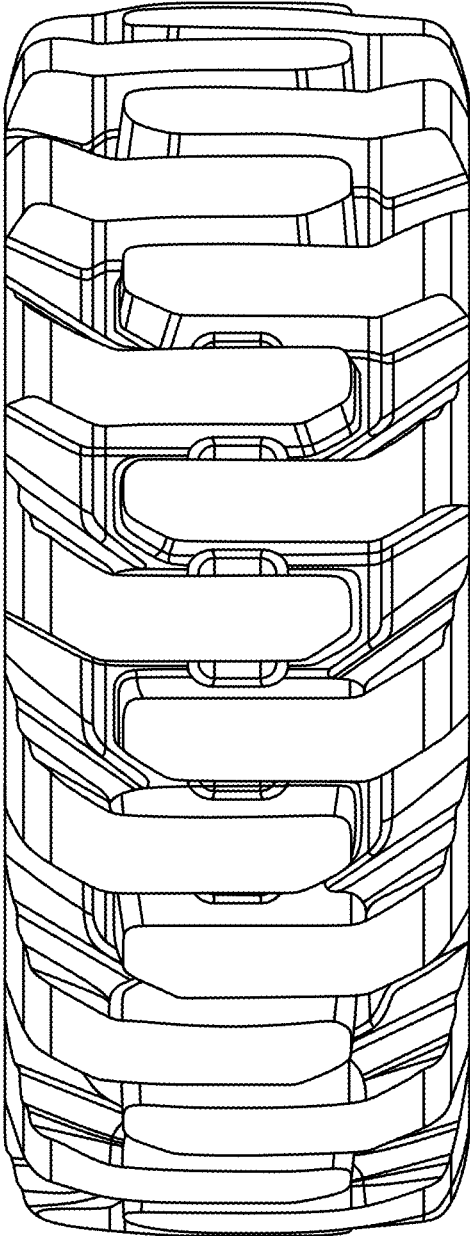


FIG. 2



FIG. 3

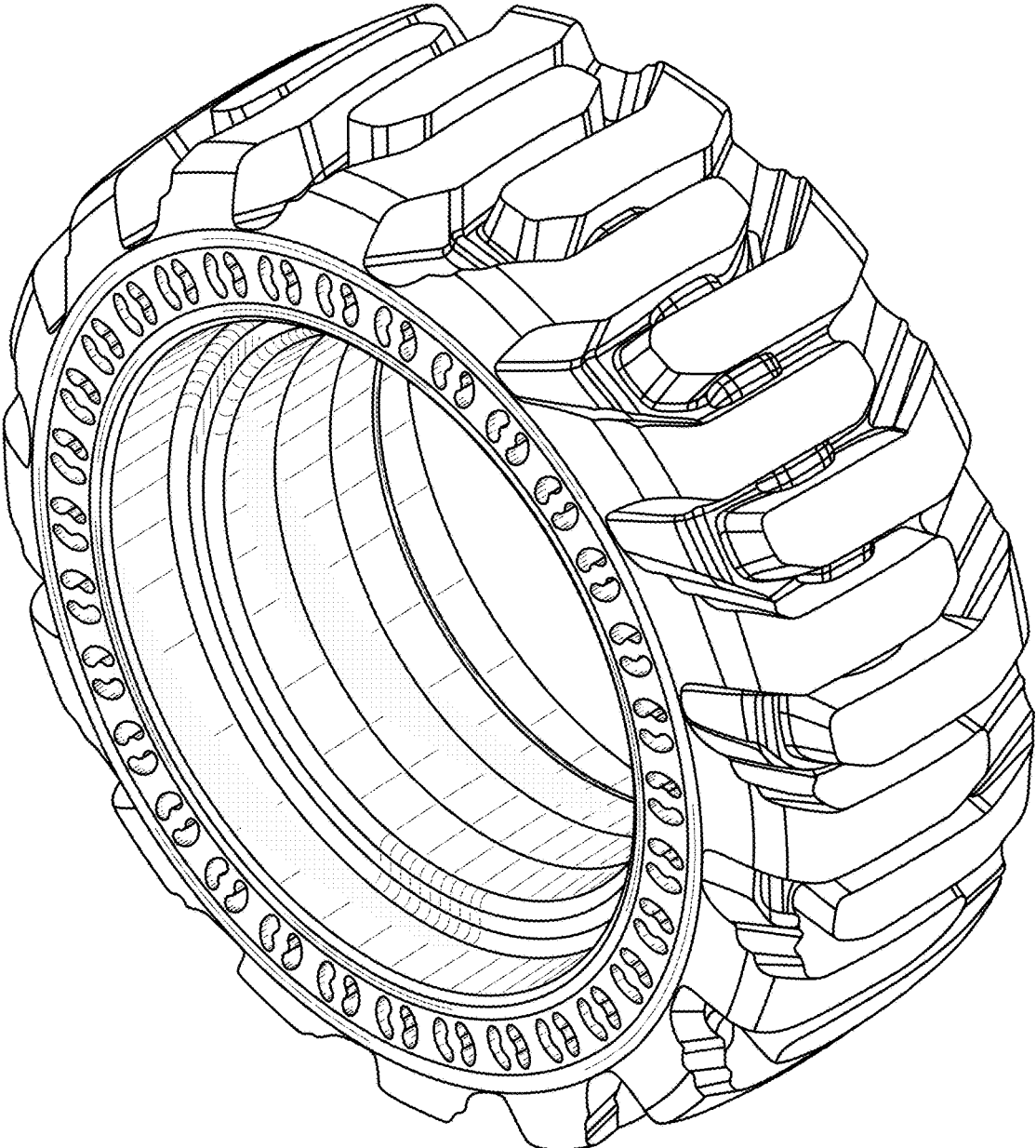


FIG. 4