



US00D912744S

(12) **United States Design Patent**
Sergakis

(10) **Patent No.:** **US D912,744 S**

(45) **Date of Patent:** **** Mar. 9, 2021**

(54) **ARTICULATING HOLDER**

(71) Applicant: **Coulter Ventures, LLC.**, Columbus, OH (US)

(72) Inventor: **Emmanuel Sergakis**, Plain City, OH (US)

(73) Assignee: **Coulter Ventures, LLC.**, Columbus, OH (US)

(**) Term: **15 Years**

(21) Appl. No.: **29/745,048**

(22) Filed: **Aug. 3, 2020**

Related U.S. Application Data

(63) Continuation of application No. 29/673,349, filed on Dec. 13, 2018, now Pat. No. Des. 892,240.

(51) **LOC (13) Cl.** **21-02**

(52) **U.S. Cl.** **D21/694**

USPC **D21/694**

(58) **Field of Classification Search**

USPC D21/673, 686, 691, 694; D8/349;

D14/452

CPC A46B 5/0041; A46B 5/0075; F16B 7/10

See application file for complete search history.

(56) **References Cited**

U.S. PATENT DOCUMENTS

D236,584 S *	9/1975	Svahn et al.	D8/349
D317,032 S *	5/1991	Eckler	D21/694
5,194,060 A	3/1993	Marchetti		
D357,951 S *	5/1995	Chen	D12/159
D384,710 S	10/1997	Pahel		
D385,258 S *	10/1997	Littrell	D13/168
5,713,549 A	2/1998	Shieh		
5,720,695 A	2/1998	Eckmann		
D394,482 S	5/1998	Colonello		
D395,892 S	7/1998	Solomon		
D433,468 S	11/2000	Rojas et al.		

D435,852 S	1/2001	Oddsens, Jr.		
D439,292 S *	3/2001	Webber	D21/694
D456,865 S	5/2002	Caporali et al.		
6,500,106 B1	12/2002	Fulks		
7,166,066 B2	1/2007	Webber		
7,267,314 B1	9/2007	Erickson		

(Continued)

FOREIGN PATENT DOCUMENTS

CA	2748768 A1	2/2012
FR	1123300 A	9/1956

OTHER PUBLICATIONS

Product listing for Rogue Landmines from <https://web.archive.org/web/20170529135307/https://www.roguefitness.com/landmines>, dated May 29, 2017.

(Continued)

Primary Examiner — Cynthia Ramirez

Assistant Examiner — Michael A Maharajh

(74) *Attorney, Agent, or Firm* — Banner & Witcoff, Ltd.

(57)

CLAIM

The ornamental design for an articulating holder, as shown and described.

DESCRIPTION

FIG. 1 is a top, front, right perspective view of an articulating holder, showing my new design;

FIG. 2 is a front view thereof;

FIG. 3 is a left side view thereof;

FIG. 4 is a right side view thereof;

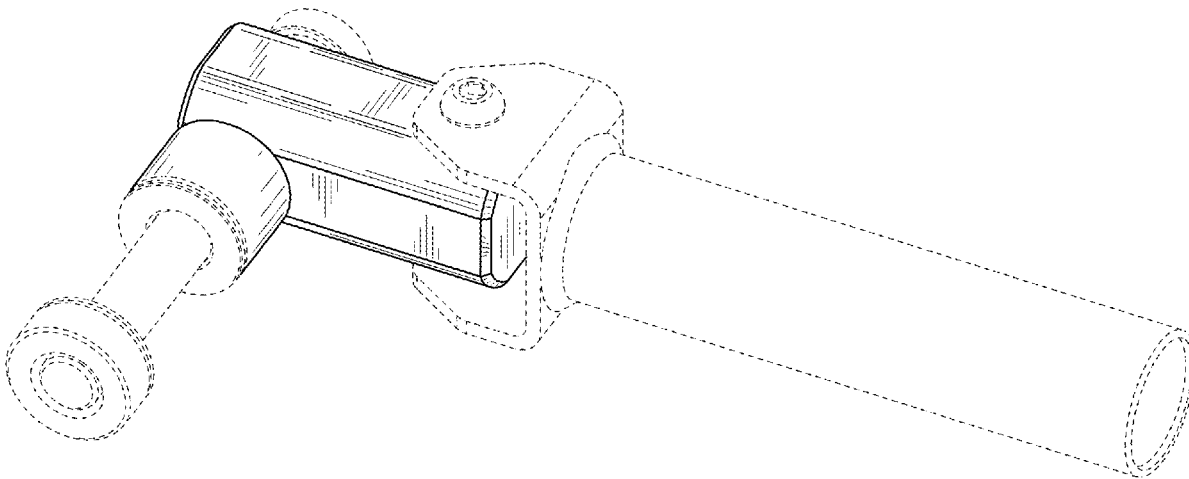
FIG. 5 is a rear view thereof;

FIG. 6 is a top view thereof; and,

FIG. 7 is a bottom view thereof.

The broken lines shown in the drawings are for the purposes of illustrating portions of the articulating holder, which form no part of the claimed design.

1 Claim, 5 Drawing Sheets



US D912,744 S

(56)

References Cited

U.S. PATENT DOCUMENTS

7,311,641	B2	12/2007	Panagos	
7,341,545	B2	3/2008	Cao	
D568,324	S	5/2008	Stenhouse et al.	
D577,729	S	9/2008	Derry et al.	
D583,426	S *	12/2008	Webber	D21/691
D626,609	S *	11/2010	Grider	D21/694
D667,899	S	9/2012	Bronston et al.	
8,360,938	B2	1/2013	Gilman	
8,496,566	B2	7/2013	Casadei	
D688,674	S	8/2013	Lau et al.	
D695,369	S	12/2013	Bennett	
D730,459	S	5/2015	Tumminia	
D743,244	S	11/2015	Anderson	
D772,356	S *	11/2016	Gregory	D21/686
D796,519	S *	9/2017	Hung	D14/452
D797,868	S	9/2017	Thomas	
D806,808	S *	1/2018	Gregory	D21/686
D817,742	S *	5/2018	Sarnowski	D8/349
D818,547	S *	5/2018	Meredith	D21/686
10,022,582	B2	7/2018	Gangemi et al.	
D834,030	S *	11/2018	Lindo	D14/452
10,118,437	B1	11/2018	Weaver	
D841,747	S *	2/2019	Montano	D21/691
10,226,659	B2	3/2019	Stilson	
D851,186	S *	6/2019	Kuka	D21/691
D851,713	S	6/2019	Hubert	
D852,907	S	7/2019	Sergakis	
D859,422	S *	9/2019	Borloz	D14/452
D873,935	S *	1/2020	Van Den Berg	D21/691
D884,097	S *	5/2020	Ameri	D21/694
D890,273	S *	7/2020	Dunahay	D21/694
D890,274	S *	7/2020	Sergakis	D21/694
D892,240	S *	8/2020	Sergakis	D21/694
D896,616	S *	9/2020	Akbar	D8/349
2004/0209752	A1	10/2004	Thonn	

2005/0035253	A1	2/2005	Rixom	
2005/0266968	A1	12/2005	Cao	
2006/0016047	A1 *	1/2006	Blackman	B25G 1/06 16/231
2011/0079692	A1	4/2011	Li	
2014/0087925	A1	3/2014	Dupuis	
2014/0121073	A1	5/2014	Hardy	
2014/0155228	A1	6/2014	Salerno	
2015/0011367	A1	1/2015	Schmidt	
2015/0362278	A1 *	12/2015	Genchel	F16M 11/32 42/94
2016/0016033	A1	1/2016	Schrag	
2016/0045777	A1	2/2016	Haggard et al.	
2016/0109056	A1 *	4/2016	Chen	F16B 7/10 248/277.1
2016/0193495	A1	7/2016	Nelson	
2016/0199688	A1	7/2016	Briley	
2016/0331203	A1 *	11/2016	Tait	A47L 13/26
2017/0007872	A1	1/2017	Ho et al.	
2017/0014679	A1 *	1/2017	Lalaoua	A63B 21/4047
2017/0127843	A1 *	5/2017	Shaath	A47C 16/025
2019/0247701	A1 *	8/2019	Sergakis	A63B 71/0036
2019/0275363	A1	9/2019	Jones et al.	
2020/0018085	A1 *	1/2020	Lopez	E04H 4/1609

OTHER PUBLICATIONS

Product listing for Rogue Post Landmine from <https://web.archive.org/web/20170424011516/https://www.roguefitness.com/post-landmine>, dated Apr. 24, 2017.

Product listing for Rogue Monster Landmine from <https://web.archive.org/web/20170717115336/http://www.roguefitness.com/rogue-monster-landmine>, dated Jul. 17, 2017.

Roguefitness, "Rogue Monster Landmine 2.0", Mar. 9, 2020. <https://www.roguefitness.com/rogue-monster-landmine-2-0>. Shown on p. 1. (Year 2020).

* cited by examiner

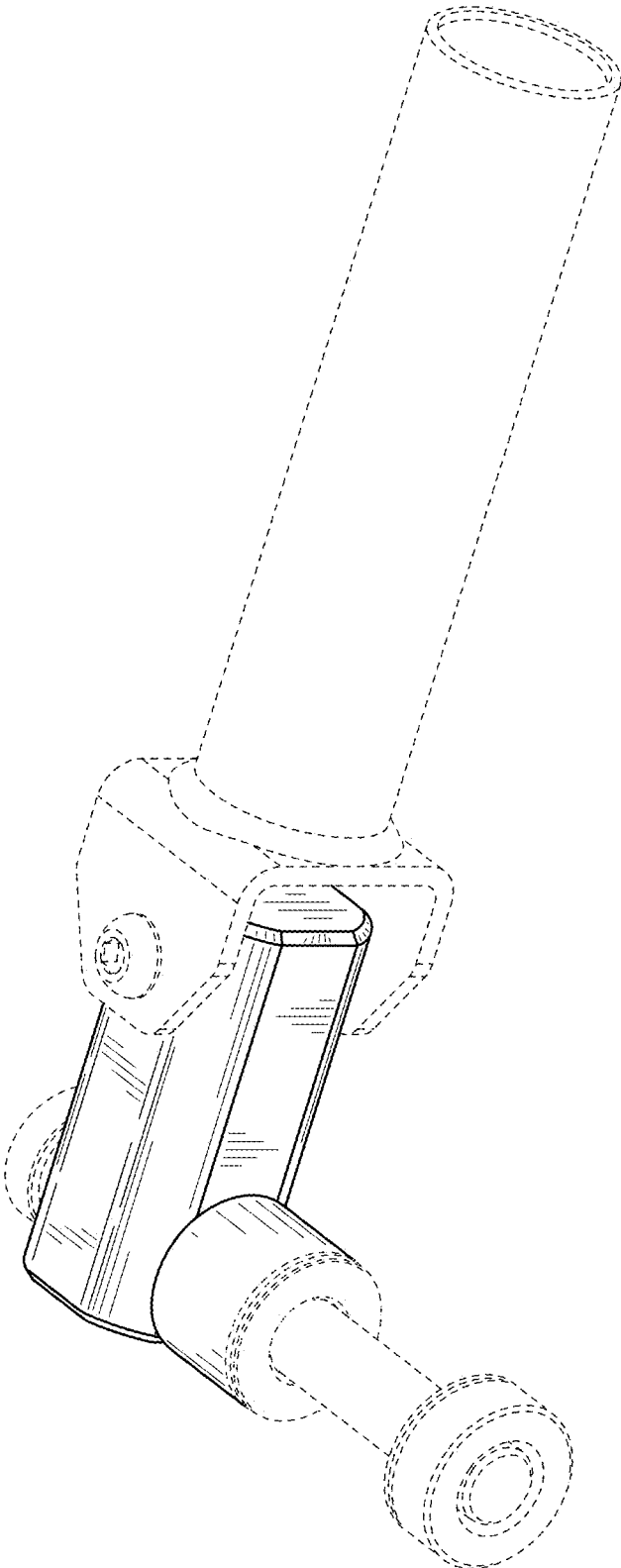


FIG. 1

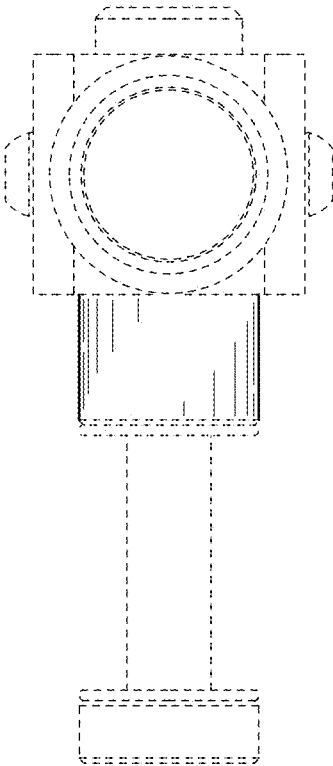


FIG. 2

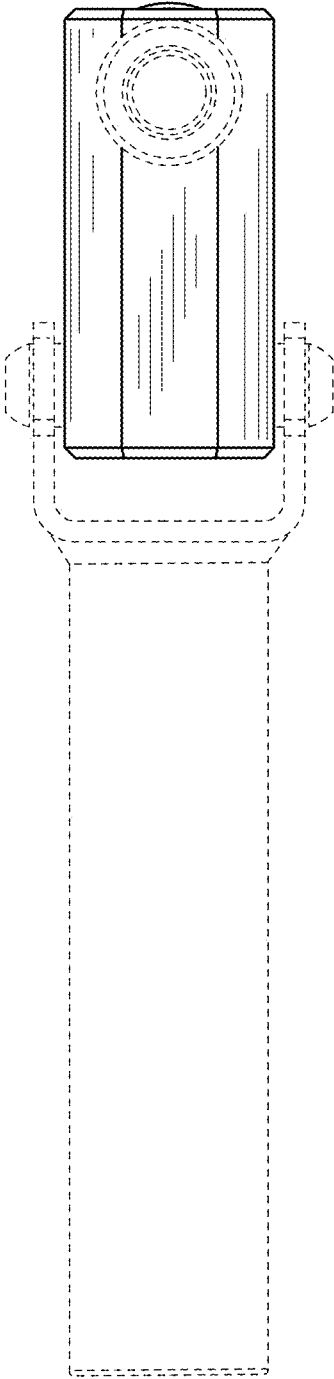


FIG. 3

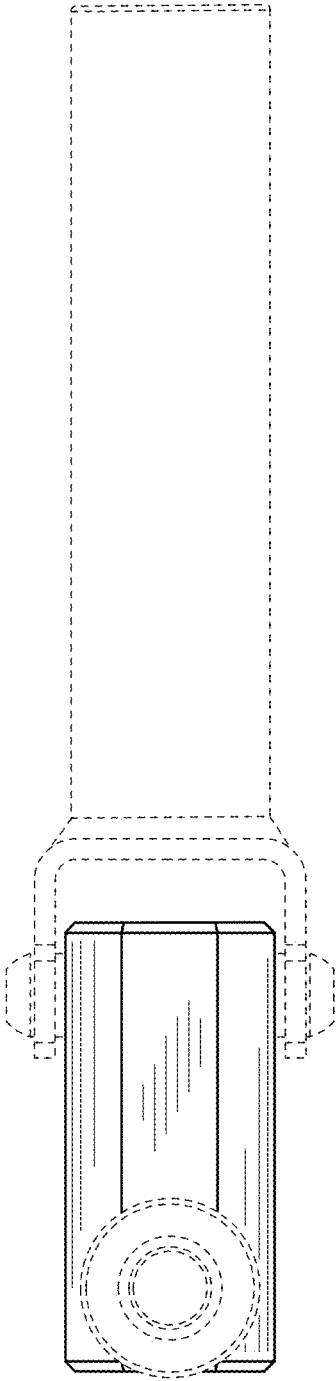


FIG. 4

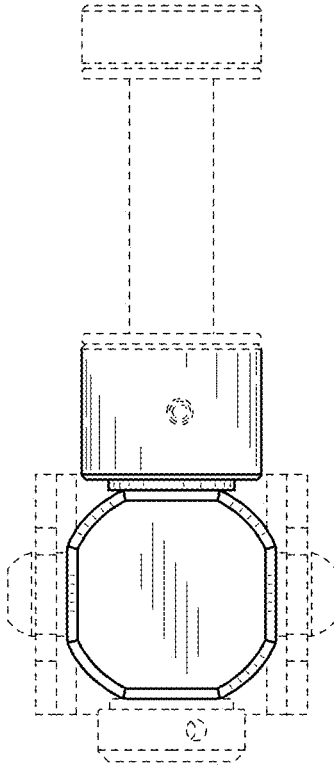


FIG. 5

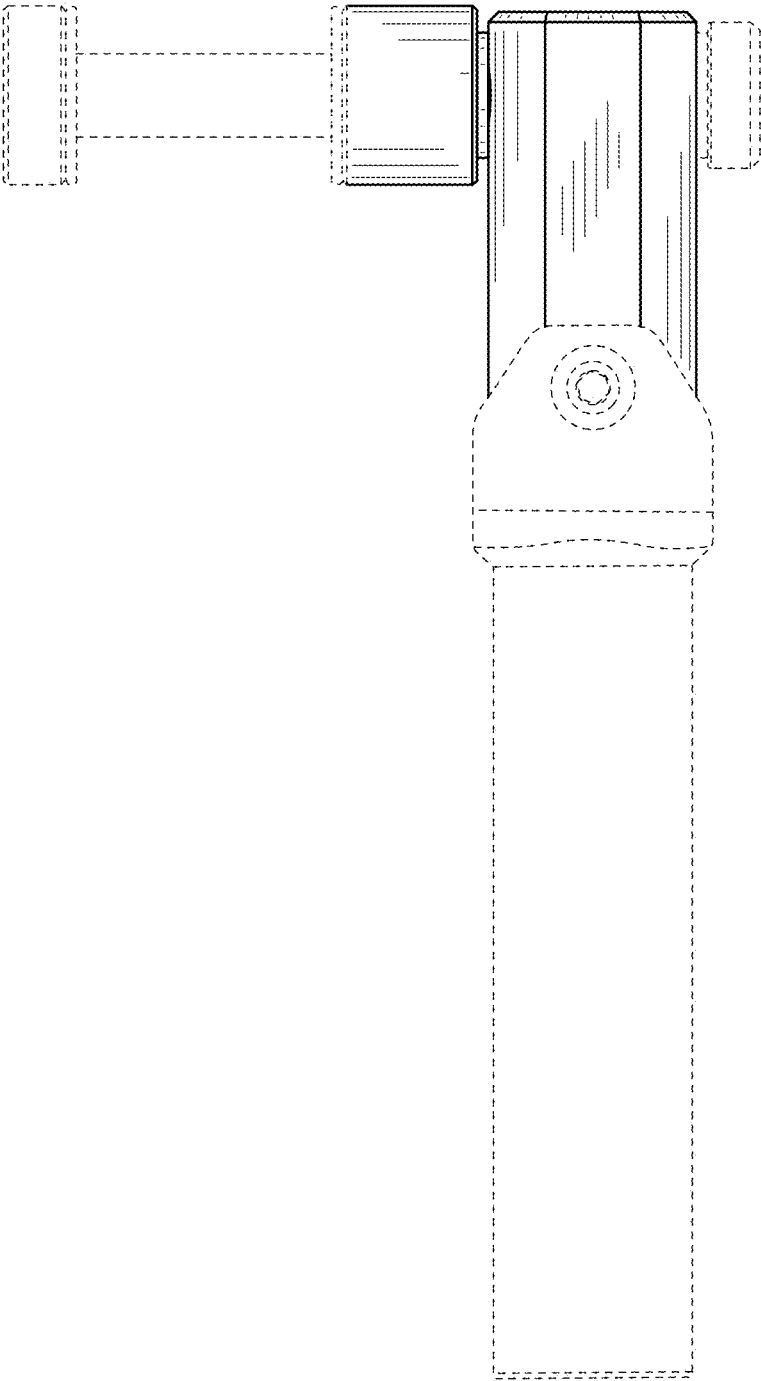


FIG. 6

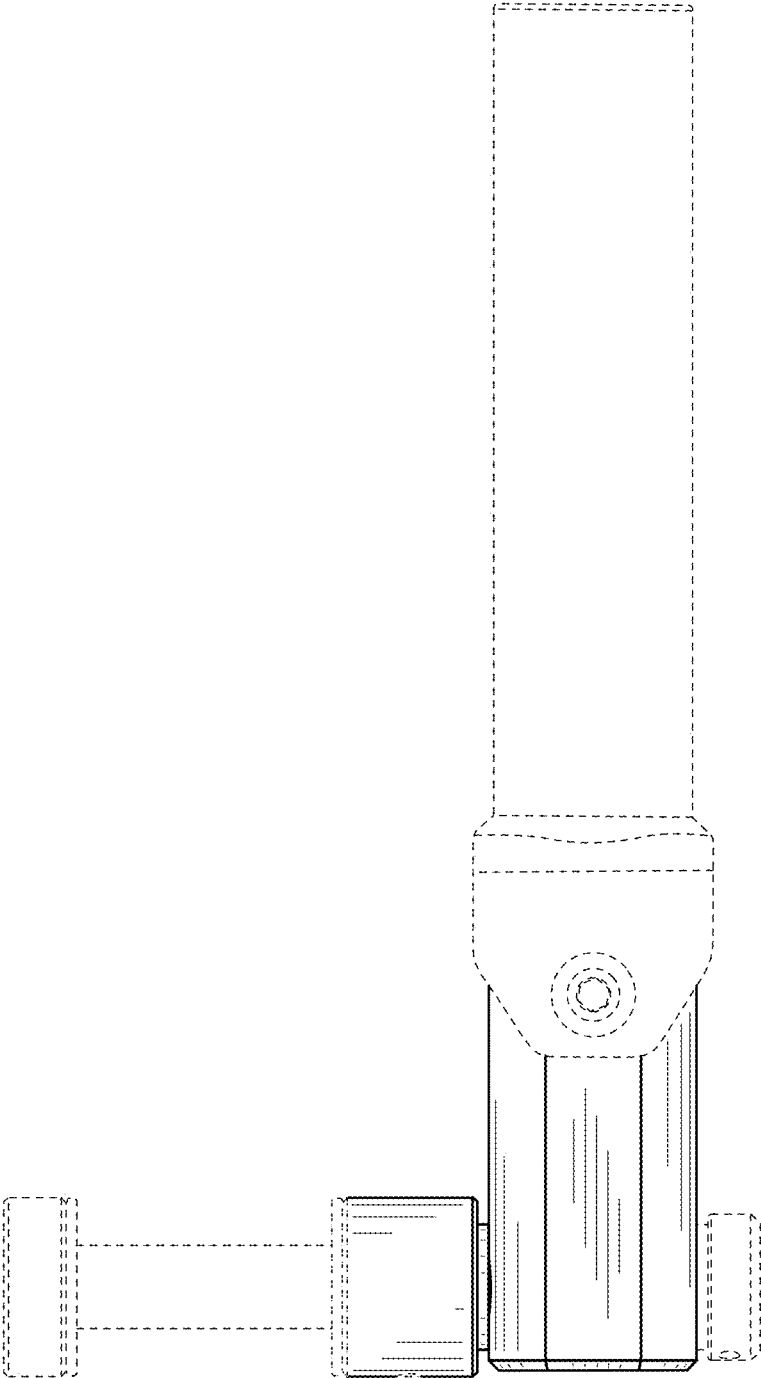


FIG. 7