



US00D766637S

(12) **United States Design Patent**
Kirar

(10) **Patent No.:** **US D766,637 S**

(45) **Date of Patent:** **** Sep. 20, 2016**

(54) **CHAIR**

(71) Applicant: **Kohler Interiors Furniture Company,**
Hickory, NC (US)

(72) Inventor: **Laura Kirar,** Brooklyn, NY (US)

(73) Assignee: **KOHLER INTERIORS FURNITURE**
COMPANY, Hickory, NC (US)

(**) Term: **14 Years**

(21) Appl. No.: **29/506,679**

(22) Filed: **Oct. 17, 2014**

(51) **LOC (10) Cl.** **06-01**

(52) **U.S. Cl.**

USPC **D6/716; D6/375**

(58) **Field of Classification Search**

USPC D6/334-336, 360, 369, 370, 371, 373,
D6/375, 379, 380, 716, 716.1, 716.2,
D6/716.3, 716.4

CPC A47C 5/02; A47C 7/282; A47C 7/285;
A47C 7/18; A47C 7/24; A47C 7/54

See application file for complete search history.

(56) **References Cited**

U.S. PATENT DOCUMENTS

D172,858 S *	8/1954	Yellen	D6/375
D175,802 S *	10/1955	Sherman	D6/375
D182,790 S *	5/1958	Cohen	D6/375
D192,029 S *	1/1962	Avedon	D6/375
D279,338 S *	6/1985	Offredi	D6/370
D573,363 S *	7/2008	Pillet	D6/375
D573,806 S *	7/2008	Pillet	D6/375
D585,207 S *	1/2009	Bauchet	D6/375
D613,956 S *	4/2010	Jehs	D6/375
D655,099 S *	3/2012	Werner	D6/371
D726,433 S *	4/2015	Starck	D6/360

D746,074 S * 12/2015 Chipman D6/360

* cited by examiner

Primary Examiner — Mimoso De

(74) *Attorney, Agent, or Firm* — Foley & Lardner LLP

(57) **CLAIM**

We claim the ornamental design for a chair, as shown and described.

DESCRIPTION

FIG. 1 is a top, front, right perspective view of an embodiment of the claimed design;

FIG. 2 is a front elevation view thereof;

FIG. 3 is a rear elevation view thereof;

FIG. 4 is a left elevation thereof;

FIG. 5 is a right elevation thereof;

FIG. 6 is a top plan view thereof;

FIG. 7 is a bottom plan view thereof;

FIG. 8 is a top, front, right perspective view of another embodiment of the claimed design;

FIG. 9 is a front elevation view thereof;

FIG. 10 is a rear elevation view thereof;

FIG. 11 is a left elevation thereof;

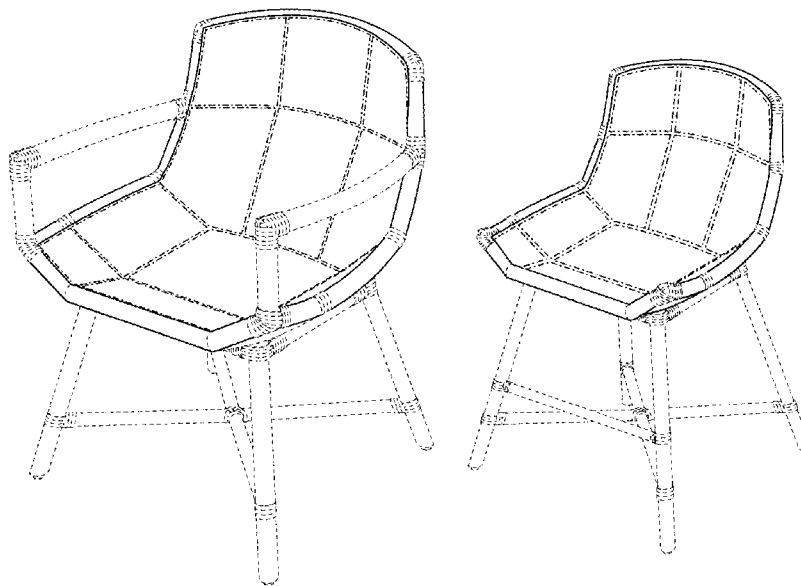
FIG. 12 is a right elevation thereof;

FIG. 13 is a top plan view thereof; and,

FIG. 14 is a bottom plan view thereof.

The ornamental design which is claimed is shown in solid lines in the drawings. The broken lines in the drawings form no part of the claimed design. Broken lines formed by equal length dashes show unclaimed subject matter. Broken lines formed of unequal length dashes (i.e., dash-dot) define bounds of the claimed design. Broken away symbols having a jagged element show that no particular length of the portion is claimed.

1 Claim, 8 Drawing Sheets



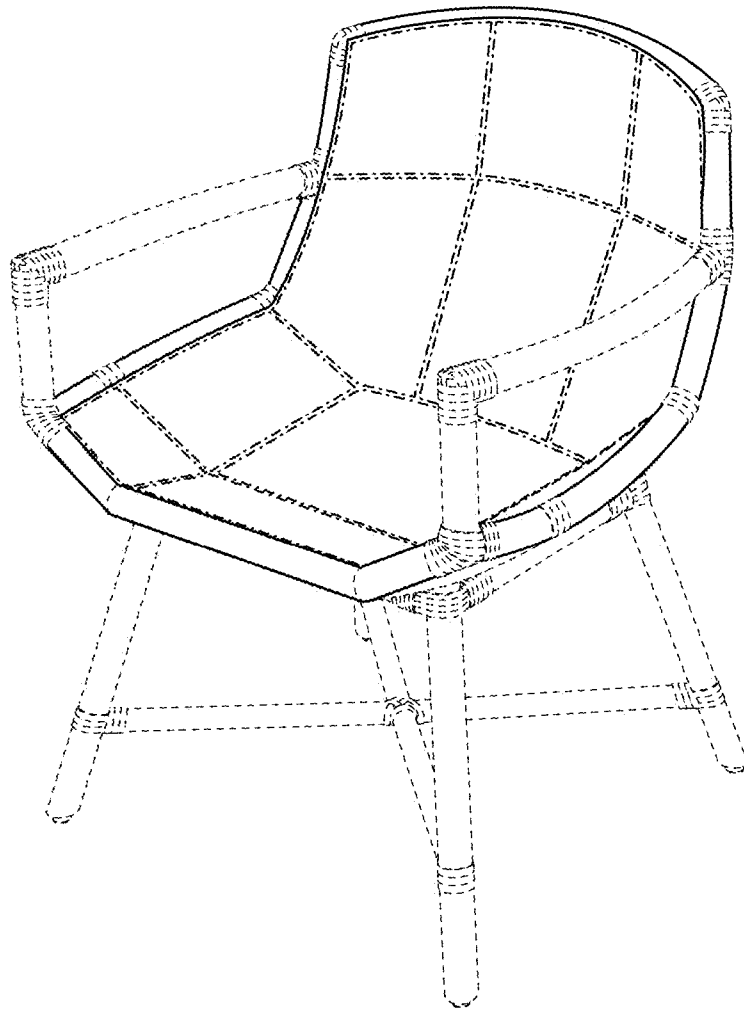


FIG. 1

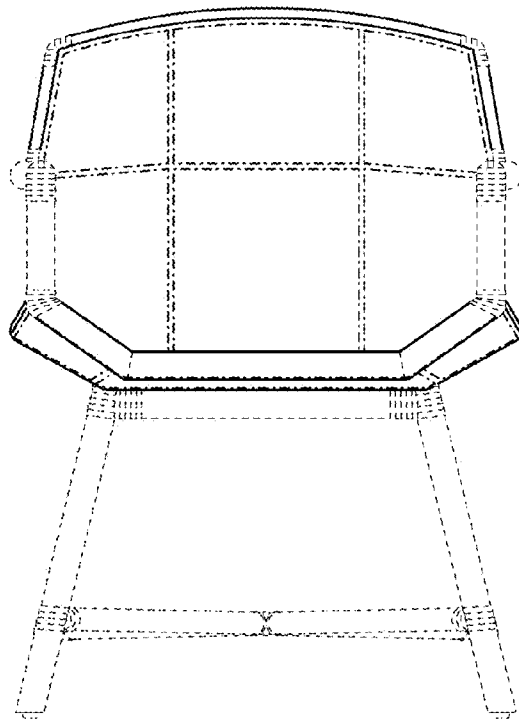


FIG. 2

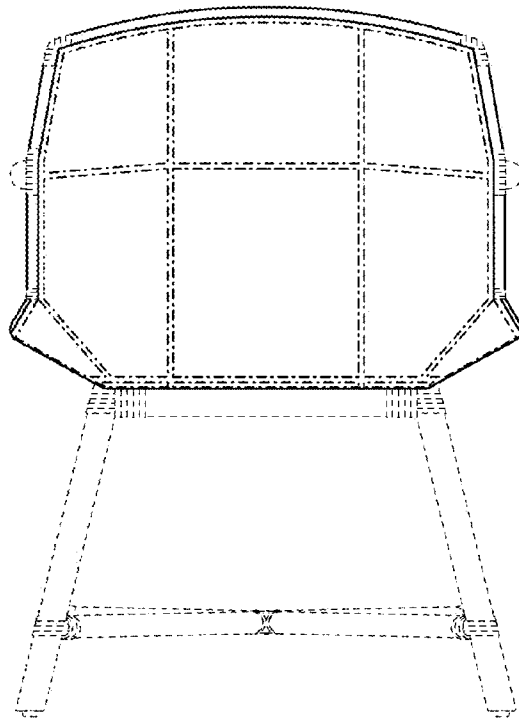


FIG. 3

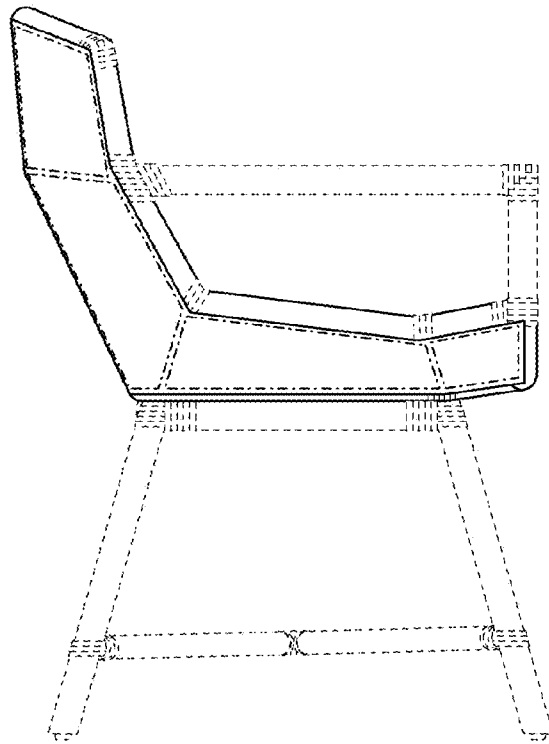


FIG. 4

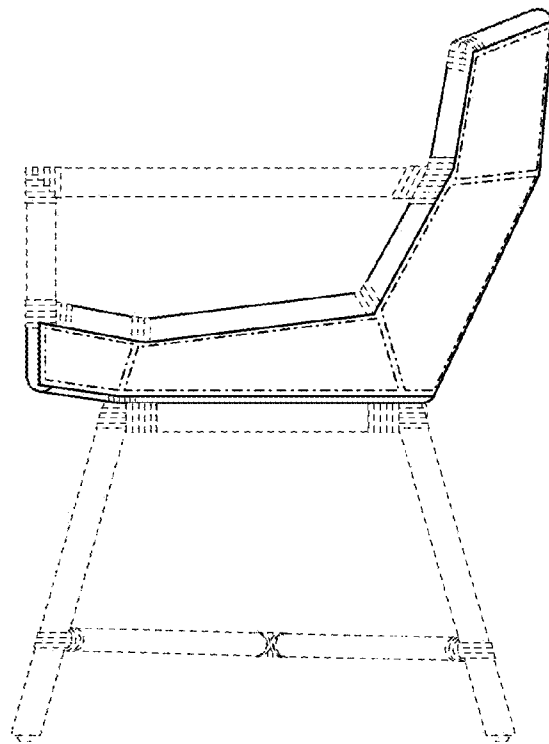


FIG. 5

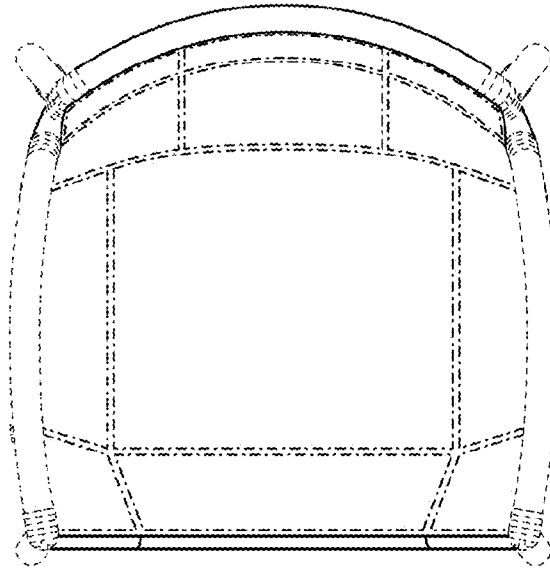


FIG. 6

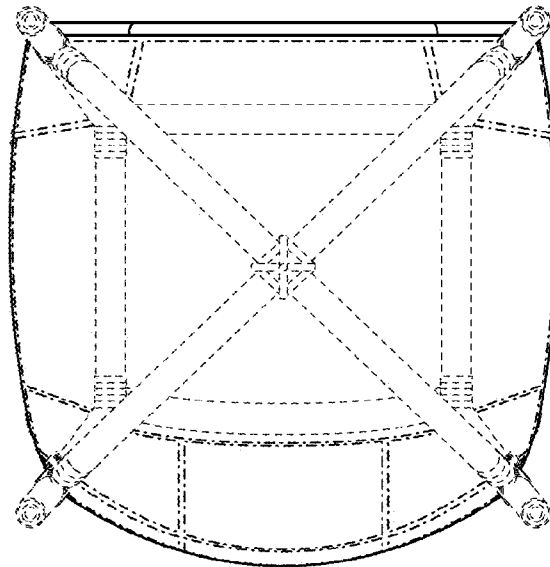


FIG. 7

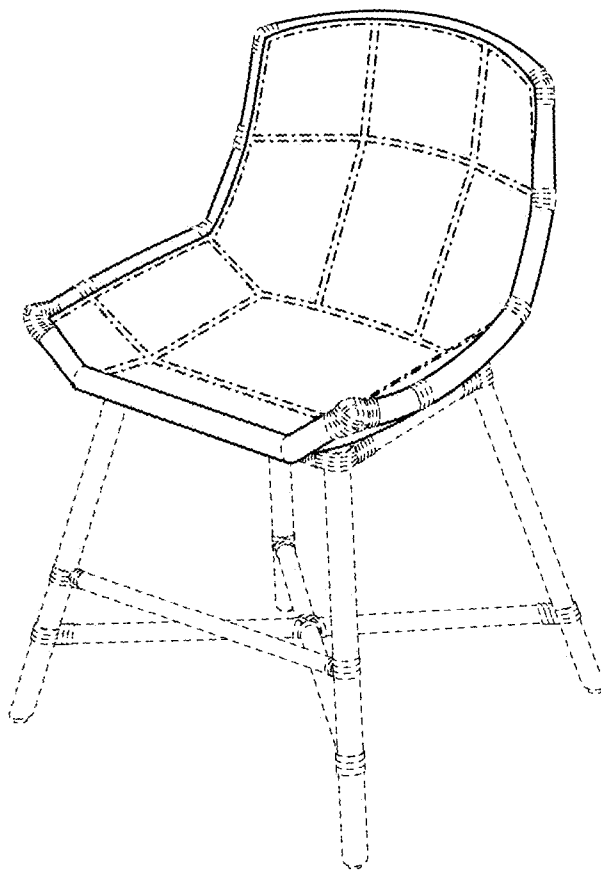


FIG. 8

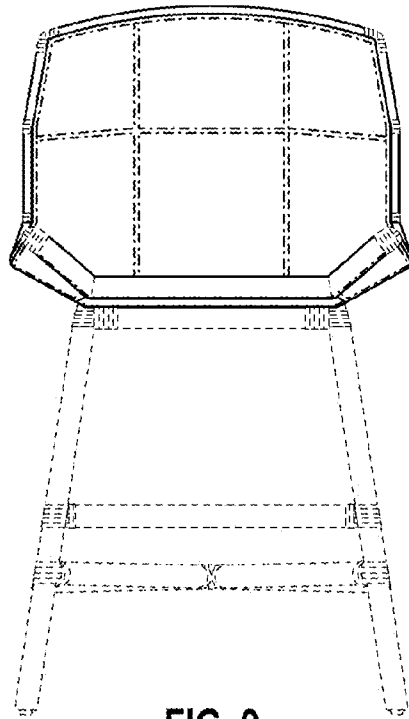


FIG. 9

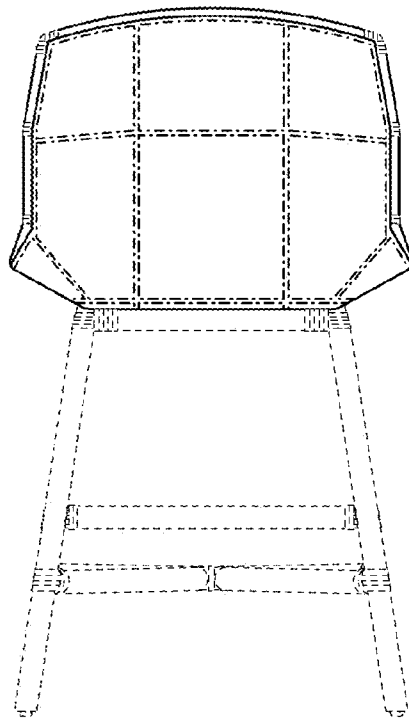


FIG. 10

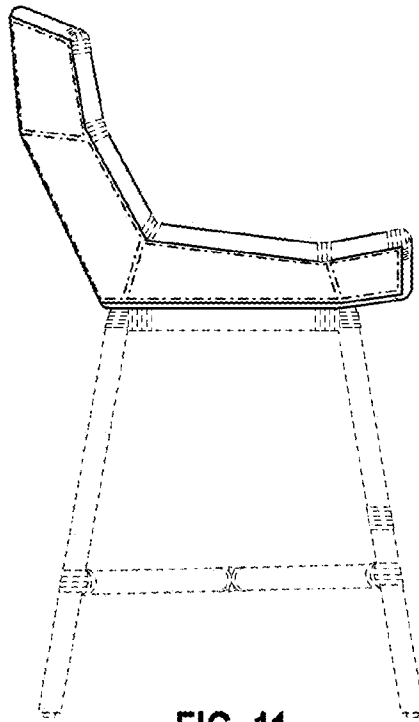


FIG. 11

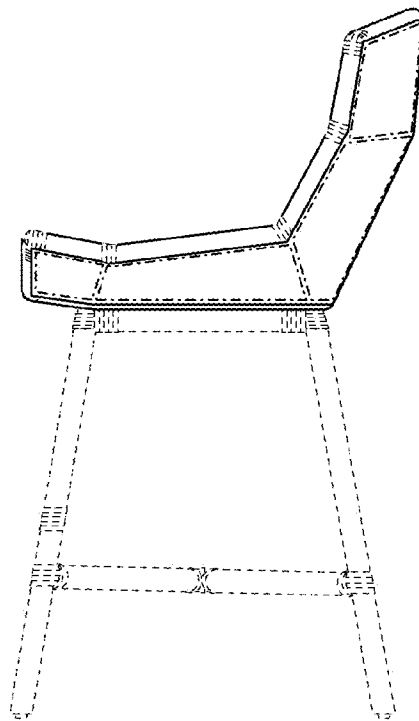


FIG. 12

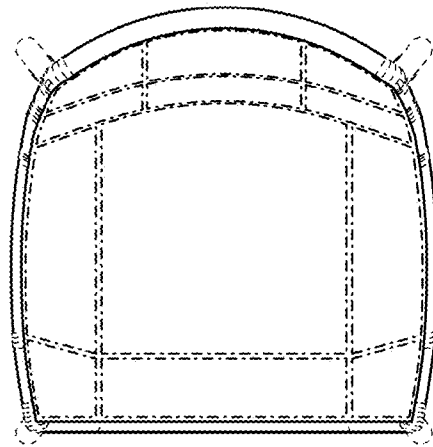


FIG. 13

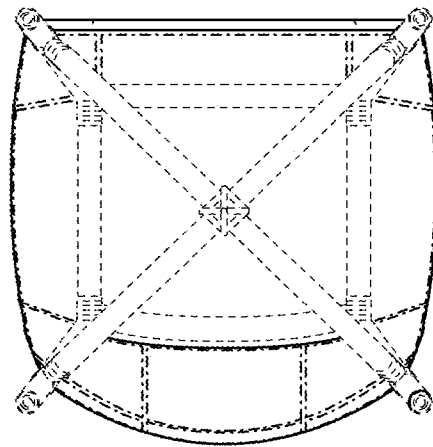


FIG. 14