



US00D787952S

(12) **United States Design Patent**  
**Jacober et al.**

(10) **Patent No.:** **US D787,952 S**

(45) **Date of Patent:** **\*\* May 30, 2017**

(54) **CONTOURED NECK FOR A BEVERAGE CONTAINER**

(75) Inventors: **Mark A. Jacober**, Arvada, CO (US);  
**Howard C. Chasteen**, Westminster, CO (US)

(73) Assignee: **Ball Corporation**, Broomfield, CO (US)

(\*\*) Term: **14 Years**

(21) Appl. No.: **29/430,744**

(22) Filed: **Aug. 29, 2012**

(51) **LOC (10) Cl.** ..... **09-02**

(52) **U.S. Cl.**

USPC ..... **D9/772**

(58) **Field of Classification Search**

USPC ..... D9/505, 502, 516, 530, 537, 539, 542,  
D9/549, 763-783; 215/381-385;  
220/660, 662, 669; D7/601, 602, 612,  
D7/615, 630  
CPC ..... B65D 17/165; B65D 1/165; B65D  
2517/0014; B65D 17/08; B65D 17/163;  
B65D 1/0223; B65D 7/36; B65D 7/04;  
B65D 17/506; B65D 1/0207; B65D  
2543/00092; B65D 17/161; B65D 1/023;  
B65D 51/007; B65D 23/102; B65D  
2517/002; B65D 2543/00046; B65D  
43/06; B65D 47/10; B65D 7/12; B65D  
83/38; B65D 11/02; B65D 17/02; B65D  
1/42; B65D 1/0215; B65D 1/16; Y10S  
220/906; Y10S 72/715; Y10S 220/914;  
Y10S 220/916; B21D 51/26; B21D  
51/2615; B21D 51/2646; B21D 51/2638;  
B21D 51/38; B21D 51/32

See application file for complete search history.

(56) **References Cited**

**U.S. PATENT DOCUMENTS**

D28,842 S 6/1898 Griffith  
607,433 A 7/1898 Haigh

1,332,515 A \* 3/1920 O'Conner ..... B65D 50/045  
220/521  
1,340,097 A \* 5/1920 Wisegarver ..... B65D 55/10  
220/318  
1,377,341 A \* 5/1921 Hansen ..... B65D 7/04  
220/685  
1,532,913 A \* 4/1925 Major ..... A01J 9/04  
220/23.88

(Continued)

**FOREIGN PATENT DOCUMENTS**

EP 0245050 11/1987  
GB 2280165 1/1995

(Continued)

**OTHER PUBLICATIONS**

International Search Report and Written Opinion for International (PCT) Patent Application No. PCT/US2013/068408 mailed Apr. 4, 2014, 10 pages.

(Continued)

*Primary Examiner* — Derrick Holland  
*Assistant Examiner* — Lauren Calve  
(74) *Attorney, Agent, or Firm* — Sheridan Ross P.C.

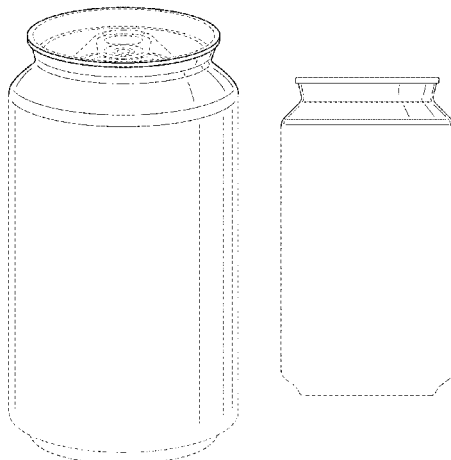
(57) **CLAIM**

The ornamental design for a contoured neck for a beverage container, as shown and described.

**DESCRIPTION**

FIG. 1 is a front perspective view of a contoured neck for a beverage container;  
FIG. 2 is a top plan view thereof; and,  
FIG. 3 is a front elevation view thereof.  
The broken lines shown represent unclaimed subject matter and form no part of the claimed design.

**1 Claim, 2 Drawing Sheets**



US D787,952 S

(56)

References Cited

U.S. PATENT DOCUMENTS

1,536,497	A *	5/1925	Horvath	B65D 7/48	D394,810	S	6/1998	Rodea	
				220/634	5,765,709	A	6/1998	Scott	
1,660,601	A *	2/1928	Duke	B65D 51/1694	D399,129	S *	10/1998	Ramsey	D9/773
				220/231	5,822,843	A	10/1998	Diekhoff et al.	
1,703,583	A *	2/1929	Willis	A01J 9/02	D402,198	S	12/1998	Schultz et al.	
				210/251	5,957,647	A	9/1999	Hinton	
1,863,853	A *	6/1932	Jackson	B67B 7/28	6,012,601	A *	1/2000	Van Dam	B65D 1/44
				220/278					220/667
1,867,677	A *	7/1932	Nielsen	B65D 51/08	6,102,242	A	8/2000	Jansen	
				220/212.5	6,112,932	A *	9/2000	Holdren	B65D 17/165
2,199,953	A *	5/1940	Hots	B65D 51/08					220/269
				220/215	D432,015	S	10/2000	Holiday	
2,256,240	A *	9/1941	Clemons	B65D 81/2076	6,126,034	A	10/2000	Borden et al.	
				119/14.02	6,220,475	B1 *	4/2001	Nayar	B65D 1/165
2,538,946	A *	1/1951	Nyden	B65D 47/265					220/669
				220/253	6,338,263	B1 *	1/2002	Obata et al.	72/105
2,565,269	A *	8/1951	Saxton	B65D 45/24	6,450,358	B1 *	9/2002	Berro	B65D 25/48
				220/324					220/254.7
2,606,732	A *	8/1952	Luomala	A01J 9/04	6,460,723	B2	10/2002	Nguyen et al.	
				134/137	6,554,146	B1 *	4/2003	DeGroff	B65D 1/02
2,808,959	A *	10/1957	Harris	B65D 45/24					215/12.1
				220/326	6,640,993	B2 *	11/2003	Nakamura	B29C 49/0073
2,812,886	A *	11/1957	Weinstein	B44D 3/123					206/315.9
				220/733	6,648,169	B1 *	11/2003	Berger	B65D 17/165
3,050,216	A *	8/1962	Norris	B67D 3/00					220/269
				220/265	D499,651	S *	12/2004	Gong	D9/738
3,329,302	A *	7/1967	Kitchen	B65D 43/0222	6,968,724	B2	11/2005	Hubball	
				220/284	D516,428	S	3/2006	Bezek et al.	
3,704,805	A	12/1972	Sheafe, III		D522,880	S	6/2006	Fuller et al.	
D229,426	S	11/1973	Andersson et al.		7,100,789	B2	9/2006	Nguyen et al.	
3,838,788	A *	10/1974	Stargell	B65D 17/163	7,178,687	B1	2/2007	Manderfield et al.	
				220/271	7,198,168	B2	4/2007	Mizuma	
4,015,744	A	4/1977	Brown		D549,420	S *	8/2007	Naber	D34/9
4,094,435	A	6/1978	Kennedy		D570,228	S	6/2008	van Dam	
4,165,011	A *	8/1979	Holk, Jr.	B65D 53/02	D587,137	S *	2/2009	Hayden	D9/772
				220/359.1	7,506,779	B2	3/2009	Jentzsch et al.	
4,289,251	A	9/1981	Maliszewski		7,513,383	B2	4/2009	Hwang	
D262,439	S *	12/1981	Atkinson	D9/779	D604,181	S *	11/2009	Reimer	D9/766
4,318,493	A	3/1982	Jacobsen et al.		D605,038	S	12/2009	Olive-Bartres et al.	
D267,393	S	12/1982	Gruodis et al.		D605,060	S *	12/2009	Reimer	D9/766
4,452,368	A	6/1984	Roth		D611,203	S *	3/2010	Jager	D30/160
4,537,324	A *	8/1985	Wang	B65D 77/283	D618,115	S	6/2010	Huls et al.	
				215/388	D618,563	S	6/2010	Ziegler	
D280,710	S *	9/1985	Skylvik	D9/434	D632,589	S	2/2011	George	
4,578,007	A	3/1986	Diekhoff		D641,644	S *	7/2011	George	D9/772
4,747,511	A *	5/1988	Dutt	B65D 17/506	D644,537	S *	9/2011	Hu	D9/779
				220/254.1	D653,538	S	2/2012	Toms et al.	
D310,025	S *	8/1990	Foley	D9/772	8,157,119	B2	4/2012	Watson et al.	
D318,225	S	7/1991	Cassai et al.		D663,165	S	7/2012	Manska et al.	
D319,580	S	9/1991	Cassai et al.		8,448,810	B2 *	5/2013	Kelly	A47J 41/0077
D320,153	S	9/1991	Cassai et al.						220/23.87
5,054,638	A *	10/1991	Rose	A47G 23/0266	D698,668	S *	2/2014	Vaughn	D9/772
				206/37.1	D713,267	S *	9/2014	Stephens	D9/772
5,121,621	A	6/1992	Ihly		8,844,761	B2 *	9/2014	Zabaleta	B65D 41/32
5,150,595	A	9/1992	Ihly						220/254.8
5,244,111	A *	9/1993	Merom	B08B 1/00	D756,783	S *	5/2016	Christopoulos	D9/500
				220/694	2001/0019058	A1 *	9/2001	Song	B65D 17/165
5,261,558	A *	11/1993	Claydon	B21D 51/2646					220/258.2
				220/671	2002/0158071	A1	10/2002	Chasteen et al.	
5,301,830	A	4/1994	Muller		2003/0189046	A1 *	10/2003	Quispe Gonzalez	B65D 17/165
D346,745	S *	5/1994	Heynen	D9/518					220/269
D347,172	S *	5/1994	Heynen	D9/518	2004/0000551	A1 *	1/2004	Flink	B65D 47/06
5,346,087	A	9/1994	Klein						220/258.3
5,355,710	A	10/1994	Diekhoff		2004/0040963	A1 *	3/2004	Arcati	B65D 1/165
D359,150	S *	6/1995	Malik	D34/39					220/269
D372,868	S *	8/1996	Kobayashi	D9/778	2004/0134912	A1 *	7/2004	Tarulis	B65D 1/165
5,555,992	A	9/1996	Sedgely						220/62.13
5,595,322	A	1/1997	Kramer		2005/0029269	A1	2/2005	Stodd et al.	
5,685,189	A	11/1997	Nguyen et al.		2005/0235726	A1	10/2005	Chupak	
D389,734	S	1/1998	Schultz et al.		2006/0102629	A1 *	5/2006	Ronnberg	B65D 17/165
D392,566	S	3/1998	Vahjen et al.						220/269
5,753,328	A *	5/1998	Miyazawa	B32B 15/08	2006/0131255	A1	6/2006	Blondeel	
				220/62.22	2007/0045218	A1	3/2007	Afandyan	
					2007/0138178	A1	6/2007	Erickson	
					2007/0177962	A1	8/2007	Boltshauser	
					2008/0006630	A1 *	1/2008	Messina	B65D 17/165
									220/257.2
					2008/0011702	A1	1/2008	Walsh	

(56)

References Cited

U.S. PATENT DOCUMENTS

2008/0099480 A1 5/2008 Chang  
 2008/0295558 A1 12/2008 Reimer et al.  
 2009/0114663 A1 5/2009 Alvares et al.  
 2009/0145929 A1 6/2009 Hall et al.  
 2009/0194536 A1\* 8/2009 Ulstein ..... B65D 17/165  
 220/270  
 2009/0206079 A1 8/2009 Valderrama Chaparro  
 2010/0000997 A1\* 1/2010 Southers ..... B65D 17/161  
 220/269  
 2010/0059515 A1\* 3/2010 Wilkerson ..... A47G 19/2227  
 220/260  
 2010/0095696 A1 4/2010 Norris et al.  
 2010/0108678 A1\* 5/2010 Yasui ..... B65D 17/161  
 220/270  
 2010/0176136 A1\* 7/2010 Lacoste ..... A61L 2/081  
 220/660  
 2010/0219187 A1\* 9/2010 Na ..... B65D 17/165  
 220/269  
 2011/0031256 A1 2/2011 Stodd et al.  
 2012/0031056 A1 2/2012 Chasteen et al.  
 2012/0125935 A1 5/2012 Nguyen  
 2013/0140318 A1\* 6/2013 Ytsma ..... B21D 51/2615  
 220/669  
 2013/0299497 A1\* 11/2013 Rauer ..... B65D 17/161  
 220/270  
 2014/0021202 A1\* 1/2014 Hands ..... B65D 25/20  
 220/87.1  
 2014/0348976 A1\* 11/2014 Aranda Campin .... B65D 51/20  
 426/2  
 2015/0136774 A1\* 5/2015 Shemesh ..... B65D 17/165  
 220/258.3  
 2015/0291316 A1\* 10/2015 Fietz ..... B65D 25/2829  
 220/735  
 2016/0023801 A1\* 1/2016 Keane ..... B65D 17/165  
 220/271  
 2016/0031584 A1\* 2/2016 Fortner ..... B65D 1/165  
 215/40  
 2016/0039563 A1\* 2/2016 Dunwoody ..... B65D 17/165  
 220/269  
 2016/0130051 A1\* 5/2016 Lee ..... B65D 51/007  
 220/256.1

FOREIGN PATENT DOCUMENTS

JP 2000159229 6/2000  
 JP 2001-030033 2/2001

JP 2002145263 5/2002  
 JP D1254559 10/2005  
 WO WO 99/67150 12/1999  
 WO WO 2008/057207 5/2008  
 WO WO 2011/053776 5/2011

OTHER PUBLICATIONS

Official Action for U.S. Appl. No. 13/669,153 mailed Feb. 4, 2014, 6 pages.  
 U.S. Appl. No. 29/449,195, filed Mar. 14, 2013, Vaughn.  
 U.S. Appl. No. 13/669,153, filed Nov. 5, 2012, Jacober et al.  
 Decision to Grant (with English translation) for Chinese Patent Application No. 2013300475670 dated Apr. 24, 2013, 4 pages.  
 Official Action (no translation available) for Japanese Patent Application No. 2013-004036 mailed Aug. 23, 2013, 2 pages.  
 Official Action (no translation available) for Japanese Patent Application No. 2013-004037 mailed Aug. 23, 2013, 2 pages.  
 Official Action (no translation available) for Japanese Patent Application No. 2013-004038 mailed Aug. 23, 2013, 2 pages.  
 Official Action for U.S. Appl. No. 29/449,195 mailed Oct. 3, 2013, 6 pages.  
 Official Action for Canadian Patent Application No. 149635 dated Oct. 28, 2013, 3 pages.  
 Notice of Allowance for U.S. Appl. No. 29/449,195 mailed Nov. 26, 2013, 9 pages.  
 Official Action for U.S. Appl. No. 13/669,153, mailed Jul. 10, 2014 15 pages.  
 Official Action for U.S. Appl. No. 13/669,153, mailed Oct. 20, 2014, 26 pages.  
 International Preliminary Report on Patentability for International (PCT) Patent Application No. PCT/US2013/068408, mailed May 14, 2015 8 pages.  
 Official Action for U.S. Appl. No. 13/669,153, mailed Mar. 27, 2015 21 pages.  
 Official Action for Canada Patent Application No. 2,890,017, dated May 18, 2016 4 pages.  
 Partial Supplementary Search Report for European Patent Application No. 13851478.1, dated Feb. 24, 2016 6 pages.  
 Extended Search Report for European Patent Application No. 13851478.1, dated Jun. 20, 2016 11 pages.  
 Official Action for U.S. Appl. No. 13/669,153, mailed Oct. 27, 2015 18 pages.  
 Official Action for U.S. Appl. No. 13/669,153, mailed Mar. 31, 2016 19 pages.

\* cited by examiner

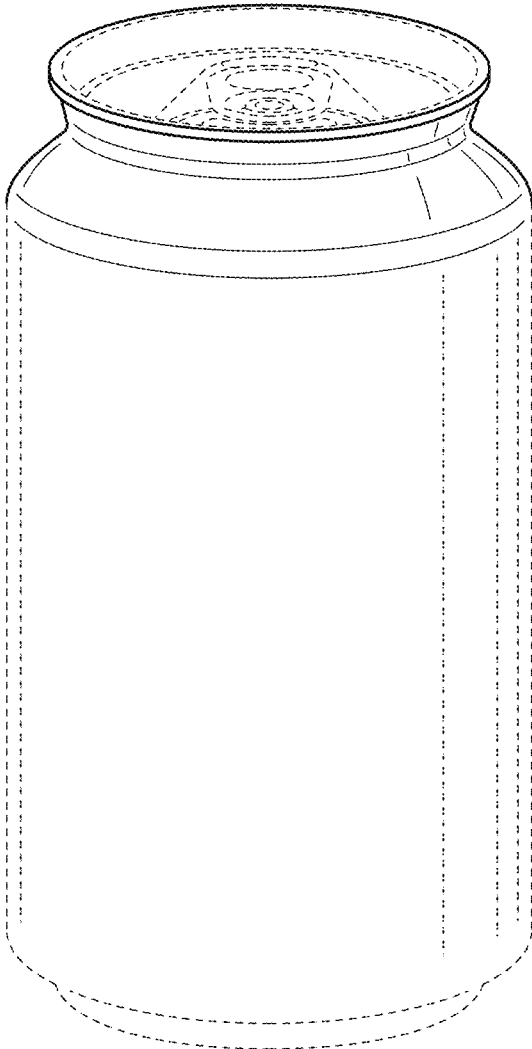


FIG.1

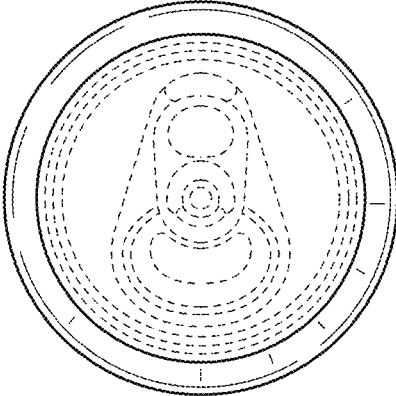


FIG. 2

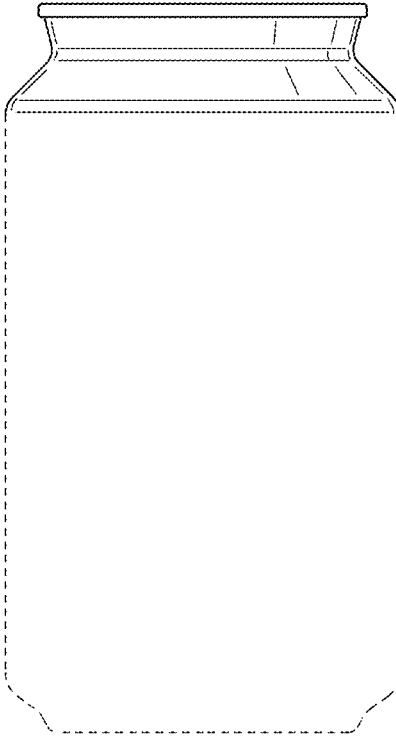


FIG. 3