



US00D794206S

(12) **United States Design Patent**
Cohrs et al.

(10) **Patent No.:** **US D794,206 S**

(45) **Date of Patent:** **** Aug. 8, 2017**

- (54) **COMBINED STRAP AND CRADLE FOR WEARABLE MEDICAL MONITOR**
- (71) Applicant: **COVIDIEN LP**, Mansfield, MA (US)
- (72) Inventors: **Kristine M. Cohrs**, Westminster, CO (US); **Jenna Dancy**, Longmont, CO (US); **David P. Besko**, Thornton, CO (US); **Loren L. Lohrman**, Thornton, CO (US); **Ryan M. Miller**, Broomfield, CO (US)
- (73) Assignee: **COVIDIEN LP**, Mansfield, MA (US)
- (**) Term: **15 Years**
- (21) Appl. No.: **29/549,052**
- (22) Filed: **Dec. 18, 2015**
- (51) **LOC (10) Cl.** **24-01**
- (52) **U.S. Cl.**
USPC **D24/186**
- (58) **Field of Classification Search**
USPC D24/185-187, 167-169, 165, 214-215, D24/129, 111, 100, 200, 106; D14/137,
(Continued)

(56) **References Cited**

U.S. PATENT DOCUMENTS

D295,965 S *	5/1988	Murphy	D10/32
4,809,700 A *	3/1989	Castelli	A61B 5/0408 600/384

(Continued)

FOREIGN PATENT DOCUMENTS

EP	1713385	10/2006
JP	26075354 A2	3/2006

(Continued)

OTHER PUBLICATIONS

Wrist Strap and Cradle, Cradle Charging Dock for Samsung Galaxy Gear Fit R350 Watch + USB cable + Wrist Strap Black, posted at Lazada.com, posted on Jan. 13, 2016, site visited Oct. 14, 2016,

<<http://www.lazada.com.my/cradle-charging-dock-for-samsung-galaxy-gear-fit-r350-watch-usb-cable-wrist-strap-black-3057151.html>>.*

(Continued)

Primary Examiner — Barbara Fox
Assistant Examiner — Messina L Smith
(74) *Attorney, Agent, or Firm* — Fletcher Yoder PC

(57) **CLAIM**

We claim the ornamental design for a combined strap and cradle for wearable medical monitor, as shown and described.

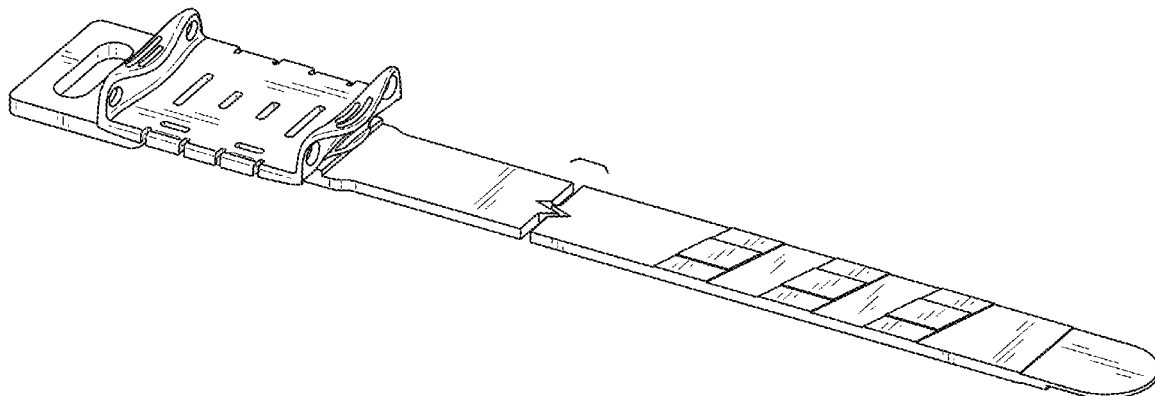
DESCRIPTION

FIG. 1 is a perspective view of the combined strap and cradle for wearable medical monitor of the present invention; FIG. 2 is a top view of the combined strap and cradle for wearable medical monitor of FIG. 1; FIG. 3 is a bottom view of the combined strap and cradle for wearable medical monitor of FIG. 1; FIG. 4 is a right side view of the combined strap and cradle for wearable medical monitor of FIG. 1; FIG. 5 is a left side view of the combined strap and cradle for wearable medical monitor of FIG. 1; FIG. 6 is a front view of the combined strap and cradle for wearable medical monitor of FIG. 1; and, FIG. 7 is a combined rear view of the strap and cradle for wearable medical monitor of FIG. 1.

The broken lines in the drawings illustrate portions of the combined strap and cradle for wearable medical monitor that form no part of the claimed design.

The combined strap and cradle for wearable medical monitor is shown with a symbolic break in its length. The symbolic break in the drawings indicates that any portion of the article beyond what is shown forms no part of the claimed design.

1 Claim, 4 Drawing Sheets



(58) **Field of Classification Search**
 USPC D14/155, 341, 344-345; D10/70, 32, 38,
 D10/98, 75
 CPC ... A61B 5/6803; A61B 5/02438; A61B 5/681;
 A61B 5/6824; A61B 5/6825; A61B 5/024
 See application file for complete search history.

(56) **References Cited**

U.S. PATENT DOCUMENTS

D341,659 S 11/1993 Homayoun
 D347,589 S * 6/1994 LaBate D10/32
 D359,700 S * 6/1995 Abrams D10/104.2
 D362,070 S * 9/1995 Willis D24/186
 5,810,736 A 9/1998 Pail
 5,891,021 A 4/1999 Dillon et al.
 D439,981 S 4/2001 Kasabach
 6,466,809 B1 10/2002 Riley
 D473,945 S * 4/2003 Nakanishi D24/165
 6,979,812 B2 12/2005 Al-Ali
 7,048,687 B1 5/2006 Reuss et al.
 7,072,704 B2 7/2006 Bucholz
 7,085,597 B2 8/2006 Fein et al.
 D535,205 S * 1/2007 Frederick D10/104.1
 7,181,264 B2 2/2007 Wiesmann et al.
 7,197,357 B2 3/2007 Istvan et al.
 7,201,734 B2 4/2007 Hickle
 7,247,154 B2 7/2007 Hickle
 7,248,910 B2 7/2007 Li et al.
 7,252,636 B2 8/2007 Brown
 7,272,425 B2 9/2007 Al-Ali
 7,316,648 B2 1/2008 Kelly et al.
 7,320,030 B2 1/2008 Brown
 D571,249 S * 6/2008 Frederick D10/104.1
 7,387,607 B2 6/2008 Holt et al.
 7,392,074 B2 6/2008 Isaacson et al.
 7,400,257 B2 7/2008 Rivas
 7,423,526 B2 9/2008 Despotis
 D578,918 S * 10/2008 Aninye D10/104.1
 7,438,687 B2 10/2008 Lewicke
 7,448,996 B2 11/2008 Khanuja et al.
 7,457,652 B2 11/2008 Porges et al.
 D597,676 S * 8/2009 Copeland D24/187
 D639,955 S 6/2011 Riobo et al.
 7,978,063 B2 7/2011 Baldus et al.
 D667,126 S * 9/2012 Cho D24/186
 D674,488 S 1/2013 McKay
 D677,792 S 3/2013 Vandiver
 D725,652 S * 3/2015 Ishii D10/106.1
 D726,567 S 4/2015 De Jong et al.
 D729,652 S * 5/2015 Nuovo D10/32
 D737,156 S * 8/2015 Akana D10/32
 D737,158 S * 8/2015 Akana D10/32
 D746,477 S * 12/2015 Cha D24/186
 D751,210 S * 3/2016 Thomas D24/186
 D759,826 S * 6/2016 Martinez D24/187
 D760,395 S * 6/2016 Barbaric D24/186
 D766,893 S * 9/2016 Akana D10/31
 D767,769 S * 9/2016 Suvilaakso D24/186
 2002/0019592 A1 * 2/2002 Mori A61B 5/0225
 600/490

2006/0161054 A1 7/2006 Reuss et al.
 2006/0167351 A1 7/2006 Isaacson et al.
 2006/0217604 A1 9/2006 Fein et al.
 2006/0217605 A1 9/2006 Fein et al.
 2006/0217606 A1 9/2006 Fein et al.
 2006/0217607 A1 9/2006 Fein et al.
 2006/0217608 A1 9/2006 Fein et al.
 2006/0224059 A1 10/2006 Swedlow et al.
 2006/0226974 A1 10/2006 Fluegel
 2006/0229503 A1 10/2006 Fluegel
 2006/0229510 A1 10/2006 Fein et al.
 2006/0229511 A1 10/2006 Fein et al.
 2006/0241975 A1 10/2006 Brown
 2006/0258295 A1 11/2006 Wong et al.
 2006/0258952 A1 11/2006 Stahmann et al.
 2006/0258959 A1 * 11/2006 Sode A61B 5/14532
 600/584

2006/0276714 A1 12/2006 Holt et al.
 2006/0285736 A1 12/2006 Brown
 2006/0288464 A1 12/2006 Warden
 2007/0004514 A1 1/2007 Walker et al.
 2007/0043269 A1 2/2007 Mannheimer et al.
 2007/0043270 A1 2/2007 Mannheimer et al.
 2007/0043271 A1 2/2007 Mannheimer et al.
 2007/0043272 A1 2/2007 Mannheimer et al.
 2007/0043273 A1 2/2007 Mannheimer et al.
 2007/0043274 A1 2/2007 Mannheimer et al.
 2007/0043275 A1 2/2007 Mannheimer et al.
 2007/0043276 A1 2/2007 Mannheimer et al.
 2007/0043277 A1 2/2007 Mannheimer et al.
 2007/0043278 A1 2/2007 Mannheimer et al.
 2007/0043279 A1 2/2007 Mannheimer et al.
 2007/0043280 A1 2/2007 Mannheimer et al.
 2007/0043282 A1 2/2007 Mannheimer et al.
 2007/0049810 A1 3/2007 Mannheimer et al.
 2007/0073116 A1 3/2007 Kiani et al.
 2007/0088207 A1 4/2007 Mannheimer et al.
 2007/0123756 A1 5/2007 Kitaiima et al.
 2007/0129622 A1 6/2007 Bourget et al.
 2007/0149883 A1 6/2007 Yesha
 2007/0185390 A1 8/2007 Perkins
 2008/0021379 A1 1/2008 Hickle
 2008/0030346 A1 2/2008 Despotis
 2008/0060138 A1 3/2008 Price et al.
 2008/0088467 A1 4/2008 Al-Ali
 2008/0091089 A1 4/2008 Guillory et al.
 2008/0091090 A1 4/2008 Guillory et al.
 2008/0096495 A1 4/2008 Shen
 2008/0132798 A1 6/2008 Hong et al.
 2008/0177162 A1 7/2008 Bae et al.
 2008/0214903 A1 9/2008 Orbach
 2008/0221427 A1 9/2008 Petersen
 2008/0281168 A1 11/2008 Gibson et al.
 2008/0287757 A1 11/2008 Berson et al.
 2008/0319290 A1 12/2008 Mao et al.
 2009/0281394 A1 11/2009 Russell et al.
 2010/0160834 A1 6/2010 Fong
 2014/0221797 A1 8/2014 Bailey
 2016/0058379 A1 * 3/2016 Menkes A61B 5/6831
 600/301
 2016/0095550 A1 4/2016 Lin et al.

FOREIGN PATENT DOCUMENTS

2004/0010199 A1 * 1/2004 Hashimoto A61B 5/02
 600/502
 2005/0101848 A1 5/2005 Al-Ali et al.
 2005/0165323 A1 7/2005 Montgomery et al.
 2005/0201345 A1 9/2005 Williamson
 2005/0234351 A1 * 10/2005 Nishii A61B 5/02
 600/503
 2005/0251056 A1 11/2005 Gribokov et al.
 2006/0025660 A1 2/2006 Swedlow et al.
 2006/0030762 A1 2/2006 David et al.
 2006/0030763 A1 2/2006 Mannheimer et al.
 2006/0030764 A1 2/2006 Porges et al.
 2006/0030765 A1 2/2006 Swedlow et al.
 2006/0094936 A1 5/2006 Russ
 2006/0142808 A1 6/2006 Pearce et al.
 2006/0155589 A1 7/2006 Lane et al.

JP 26158555 A2 6/2006
 JP 26158974 A2 6/2006
 JP 26212161 A2 8/2006
 JP 26271815 A2 10/2006
 JP 26297125 A2 11/2006
 JP 26320731 A2 11/2006
 JP 26320732 A2 11/2006
 JP 26325766 A2 12/2006
 JP 27020836 A2 2/2007
 JP 27117641 A2 5/2007
 JP 3939782 B2 7/2007
 JP 3944448 B2 7/2007
 JP 27190122 A2 8/2007
 JP 27252767 A2 10/2007
 JP 27295973 A2 11/2007

(56)

References Cited

FOREIGN PATENT DOCUMENTS

JP	27319247	A2	12/2007
JP	27330708	A2	12/2007
JP	4038280	B2	1/2008
JP	28110108	A2	5/2008
JP	28161657	A2	7/2008
WO	2005074379		8/2005
WO	2005110215		11/2005
WO	2006005169	A1	1/2006
WO	2006109072	A2	10/2006
WO	2007017777	A2	2/2007
WO	2007086856		8/2007

OTHER PUBLICATIONS

Wrist Strap and Cradle, 'Reserve Strap' Plans to Charge the Apple Watch on the Wrist, posted at Macrumors.com, posted on Mar. 6, 2015, site visited, Oct. 14, 2016, <<http://www.macrumors.com/2015/03/06/reserve-strap-charge-wrist/>>.*

Wrist Strap and Cradle, Garmin VIRB Wrist Strap Mount, posted Chutingstar.com, no posting date given, © 2016, site visited Oct. 14, 2016, <<http://www.chutingstar.com/garmin-virb-wrist-strap-mount/>>.*

Wrist Strap and Cradle, 2016 Hot Universal Rubber/Silicone Link Bracelet, posted at Aliexpress.com, posted on May 24, 2016, <https://www.aliexpress.com/store/product/2016-Hot-Sale-Universal-Rubber-Wrist-Strap-22mm-24mm-Silicone-Watchband-Fit-For-Apple-Watch-Moto/639898_32654342879.html>.*

* cited by examiner

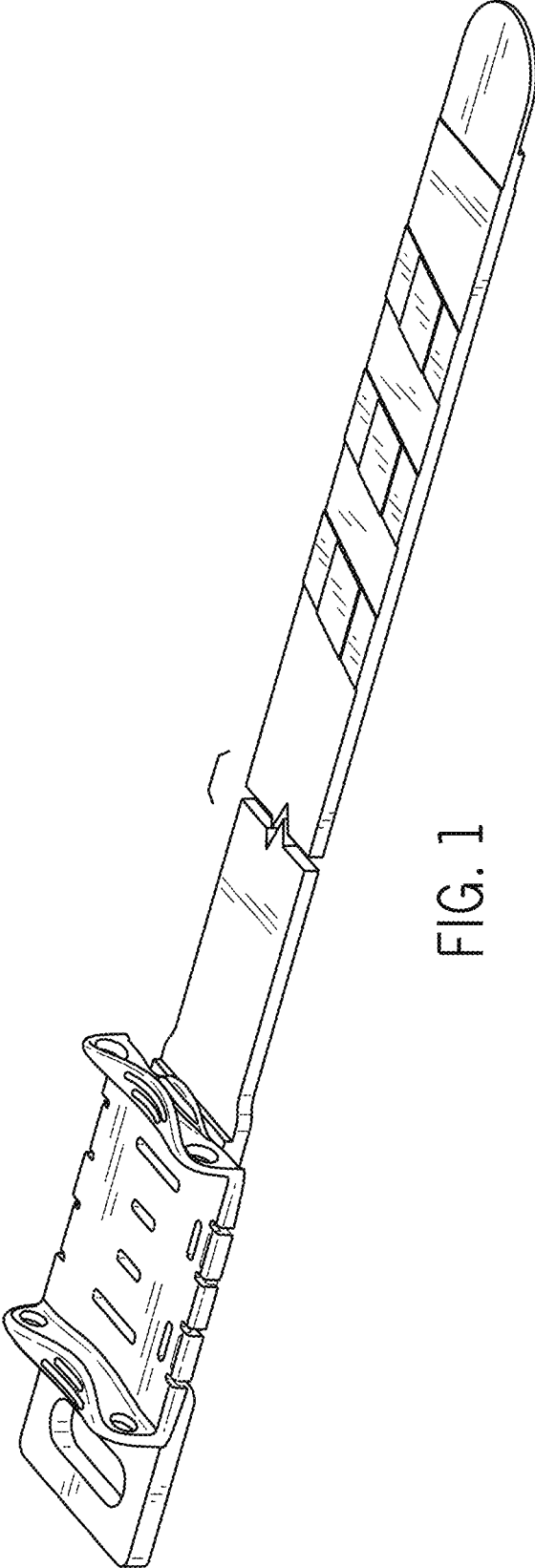


FIG. 1

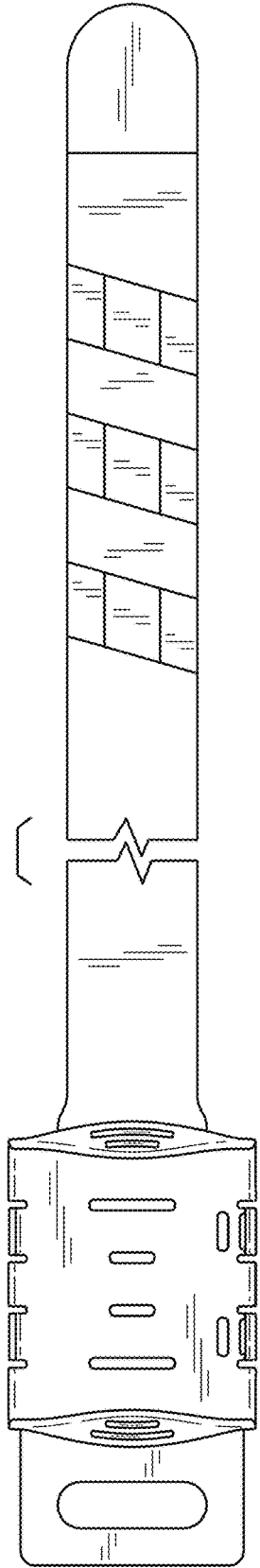


FIG. 2

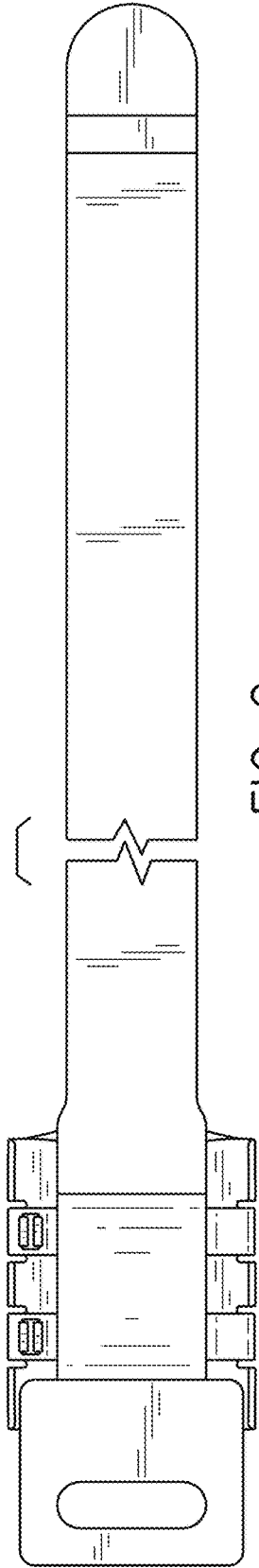


FIG. 3

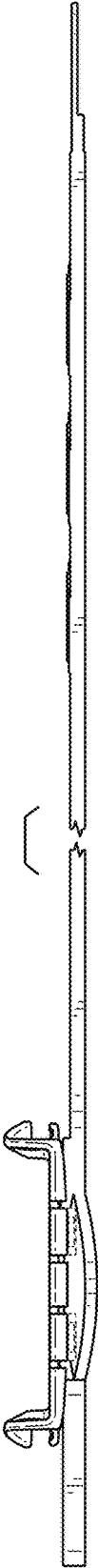


FIG. 4



FIG. 5



FIG. 6

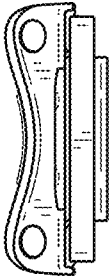


FIG. 7