



US0D1069491S

(12) **United States Design Patent**  
**Li**

(10) **Patent No.:** **US D1,069,491 S**

(45) **Date of Patent:** **\*\* Apr. 8, 2025**

(54) **CHICKEN SHREDDER**

FOREIGN PATENT DOCUMENTS

(71) Applicant: **Junjiang Li**, Huazhou (CN)

GB 6227335 \* 9/2022

GB 6284298 \* 6/2023

(72) Inventor: **Junjiang Li**, Huazhou (CN)

GB 6315055 \* 10/2023

GB 6368557 \* 6/2024

(\*\*) Term: **15 Years**

OTHER PUBLICATIONS

(21) Appl. No.: **29/967,783**

Chicken Shredder, Generic. Date First Available, Aug. 29, 2024 [online], [site visited on Nov. 18, 2024]. Available from URL: < <https://www.amazon.com/Shredder-Non-Slip-Ergonomic-Suitable-Dishwasher/dp/B0DFLYTZB8?th=1> > (Year: 2024).\*

(22) Filed: **Oct. 12, 2024**

(51) **LOC (15) Cl.** ..... **31-00**

(52) **U.S. Cl.** ..... **D7/381**  
USPC ..... **D7/372, 373, 376-386, 665, 666, 669, 670, 671, 672, 673, 674, 675, 676, 677, 678, 679, 680, 681, 682, 683, 684, 685, 686, 687, 688, 689, 690, 691, 692, 693, 694, 695, 696, 697, 698, 699, 700, 701, 702, 703, 704, 705, 706, 707, 708, 709, 710, 711, 712, 713, 714, 715, 716, 717, 718, 719, 720, 721, 722, 723, 724, 725, 726, 727, 728, 729, 730, 731, 732, 733, 734, 735, 736, 737, 738, 739, 740, 741, 742, 743, 744, 745, 746, 747, 748, 749, 750, 751, 752, 753, 754, 755, 756, 757, 758, 759, 760, 761, 762, 763, 764, 765, 766, 767, 768, 769, 770, 771, 772, 773, 774, 775, 776, 777, 778, 779, 780, 781, 782, 783, 784, 785, 786, 787, 788, 789, 790, 791, 792, 793, 794, 795, 796, 797, 798, 799, 800, 801, 802, 803, 804, 805, 806, 807, 808, 809, 810, 811, 812, 813, 814, 815, 816, 817, 818, 819, 820, 821, 822, 823, 824, 825, 826, 827, 828, 829, 830, 831, 832, 833, 834, 835, 836, 837, 838, 839, 840, 841, 842, 843, 844, 845, 846, 847, 848, 849, 850, 851, 852, 853, 854, 855, 856, 857, 858, 859, 860, 861, 862, 863, 864, 865, 866, 867, 868, 869, 870, 871, 872, 873, 874, 875, 876, 877, 878, 879, 880, 881, 882, 883, 884, 885, 886, 887, 888, 889, 890, 891, 892, 893, 894, 895, 896, 897, 898, 899, 900, 901, 902, 903, 904, 905, 906, 907, 908, 909, 910, 911, 912, 913, 914, 915, 916, 917, 918, 919, 920, 921, 922, 923, 924, 925, 926, 927, 928, 929, 930, 931, 932, 933, 934, 935, 936, 937, 938, 939, 940, 941, 942, 943, 944, 945, 946, 947, 948, 949, 950, 951, 952, 953, 954, 955, 956, 957, 958, 959, 960, 961, 962, 963, 964, 965, 966, 967, 968, 969, 970, 971, 972, 973, 974, 975, 976, 977, 978, 979, 980, 981, 982, 983, 984, 985, 986, 987, 988, 989, 990, 991, 992, 993, 994, 995, 996, 997, 998, 999, 1000**

(58) **Field of Classification Search**  
USPC ..... **D7/372, 373, 376-386, 665, 666, 669, 670, 671, 672, 673, 674, 675, 676, 677, 678, 679, 680, 681, 682, 683, 684, 685, 686, 687, 688, 689, 690, 691, 692, 693, 694, 695, 696, 697, 698, 699, 700, 701, 702, 703, 704, 705, 706, 707, 708, 709, 710, 711, 712, 713, 714, 715, 716, 717, 718, 719, 720, 721, 722, 723, 724, 725, 726, 727, 728, 729, 730, 731, 732, 733, 734, 735, 736, 737, 738, 739, 740, 741, 742, 743, 744, 745, 746, 747, 748, 749, 750, 751, 752, 753, 754, 755, 756, 757, 758, 759, 760, 761, 762, 763, 764, 765, 766, 767, 768, 769, 770, 771, 772, 773, 774, 775, 776, 777, 778, 779, 780, 781, 782, 783, 784, 785, 786, 787, 788, 789, 790, 791, 792, 793, 794, 795, 796, 797, 798, 799, 800, 801, 802, 803, 804, 805, 806, 807, 808, 809, 810, 811, 812, 813, 814, 815, 816, 817, 818, 819, 820, 821, 822, 823, 824, 825, 826, 827, 828, 829, 830, 831, 832, 833, 834, 835, 836, 837, 838, 839, 840, 841, 842, 843, 844, 845, 846, 847, 848, 849, 850, 851, 852, 853, 854, 855, 856, 857, 858, 859, 860, 861, 862, 863, 864, 865, 866, 867, 868, 869, 870, 871, 872, 873, 874, 875, 876, 877, 878, 879, 880, 881, 882, 883, 884, 885, 886, 887, 888, 889, 890, 891, 892, 893, 894, 895, 896, 897, 898, 899, 900, 901, 902, 903, 904, 905, 906, 907, 908, 909, 910, 911, 912, 913, 914, 915, 916, 917, 918, 919, 920, 921, 922, 923, 924, 925, 926, 927, 928, 929, 930, 931, 932, 933, 934, 935, 936, 937, 938, 939, 940, 941, 942, 943, 944, 945, 946, 947, 948, 949, 950, 951, 952, 953, 954, 955, 956, 957, 958, 959, 960, 961, 962, 963, 964, 965, 966, 967, 968, 969, 970, 971, 972, 973, 974, 975, 976, 977, 978, 979, 980, 981, 982, 983, 984, 985, 986, 987, 988, 989, 990, 991, 992, 993, 994, 995, 996, 997, 998, 999, 1000**

CPC ..... **A01F 2015/07; A01F 2015/077; A01F 2015/0775; A23N 1/00; A23N 1/02; A47J 19/00; A47J 19/005; A47J 19/02; A47J 19/04; A47J 19/06; A47J 42/32; A47J 42/34; A47J 42/36; A47J 43/044; A47J 43/07; A47J 43/25; A47J 43/255; A47J 43/1025; B02C 13/00; B02C 13/02; B02C 18/06; B02C 18/18; B02C 18/24; B02C 18/26; B02C 18/30; B02C 18/302; B02C 18/304; B02C 18/305; B02C 25/00**  
See application file for complete search history.

(Continued)

*Primary Examiner* — Janice Patyk  
*Assistant Examiner* — Kendra L Hebel  
(74) *Attorney, Agent, or Firm* — Jeenam Park

(57) **CLAIM**

The ornamental design for a chicken shredder, as shown and described.

**DESCRIPTION**

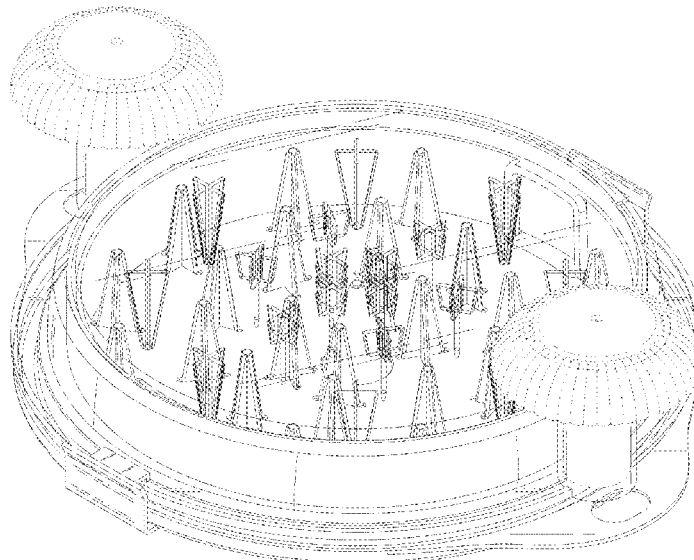
FIG. 1 is a front, right and top perspective view of a chicken shredder, showing my new design;  
FIG. 2 is a rear, left and bottom perspective view thereof;  
FIG. 3 is a perspective view in split status thereof;  
FIG. 4 is a front view thereof;  
FIG. 5 is a rear view thereof;  
FIG. 6 is a left side view thereof;  
FIG. 7 is a right side view thereof;  
FIG. 8 is a top plan view thereof; and,  
FIG. 9 is a bottom plan view thereof.  
The broken lines shown in the drawings illustrate portions of the chicken shredder that form no part of the claimed design.

**1 Claim, 9 Drawing Sheets**

(56) **References Cited**

U.S. PATENT DOCUMENTS

795,746	A	*	7/1905	Wingfield	.....	A24F 15/18	241/168
D255,861	S	*	7/1980	Hsu	.....	D7/381	
D739,689	S	*	9/2015	Metaxatos	.....		
D874,886	S	*	2/2020	Breneman	.....	D7/679	
D964,798	S	*	9/2022	Ding	.....		
11,871,873	B1	*	1/2024	Smith	.....	A47J 43/25	
D1,039,906	S	*	8/2024	Liu	.....	D7/381	
D1,039,925	S	*	8/2024	He	.....	D7/693	



(56)

**References Cited**

OTHER PUBLICATIONS

Chicken Shredder, Homengg. Date First Available, Jul. 23, 2024 [online], [site visited on Nov. 18, 2024]. Available from URL: < [https://www.amazon.com/dp/B0D8TGXZBH/ref=sspa\\_dk\\_detail\\_8?pd\\_rd\\_i=B0D8TGXZBH&pd\\_rd\\_](https://www.amazon.com/dp/B0D8TGXZBH/ref=sspa_dk_detail_8?pd_rd_i=B0D8TGXZBH&pd_rd_) > (Year: 2024).\*

Chicken Shredder, Klavehn. Date First Available, Aug. 9, 2023 [online], [site visited on Nov. 18, 2024]. Available from URL: < <https://www.amazon.com/KLAVEHN-Ergonomic-Dispensing-Dishwasher-Resistant/dp/B0C33TD5GB/> > (Year: 2023).\*

Chicken Shredder, Suretavian. Date First Available, Sep. 23, 2023 [online], [site visited on Nov. 18, 2024]. Available from URL: < [https://www.amazon.com/dp/B0D83C65BV/ref=sspa\\_dk\\_detail\\_1?pd\\_rd\\_i=B0D83C65BV&pd\\_rd\\_](https://www.amazon.com/dp/B0D83C65BV/ref=sspa_dk_detail_1?pd_rd_i=B0D83C65BV&pd_rd_) > (Year: 2023).\*

\* cited by examiner

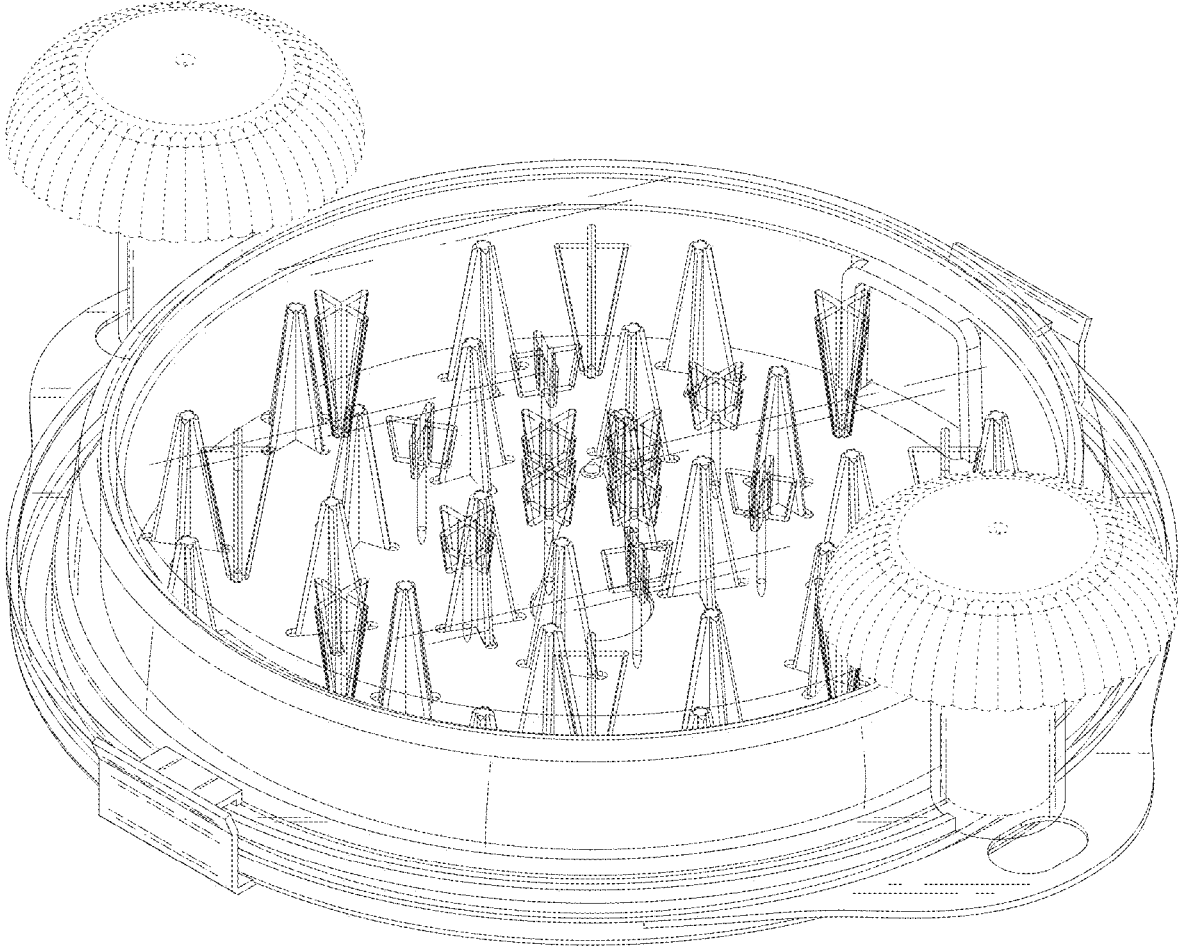


FIG. 1

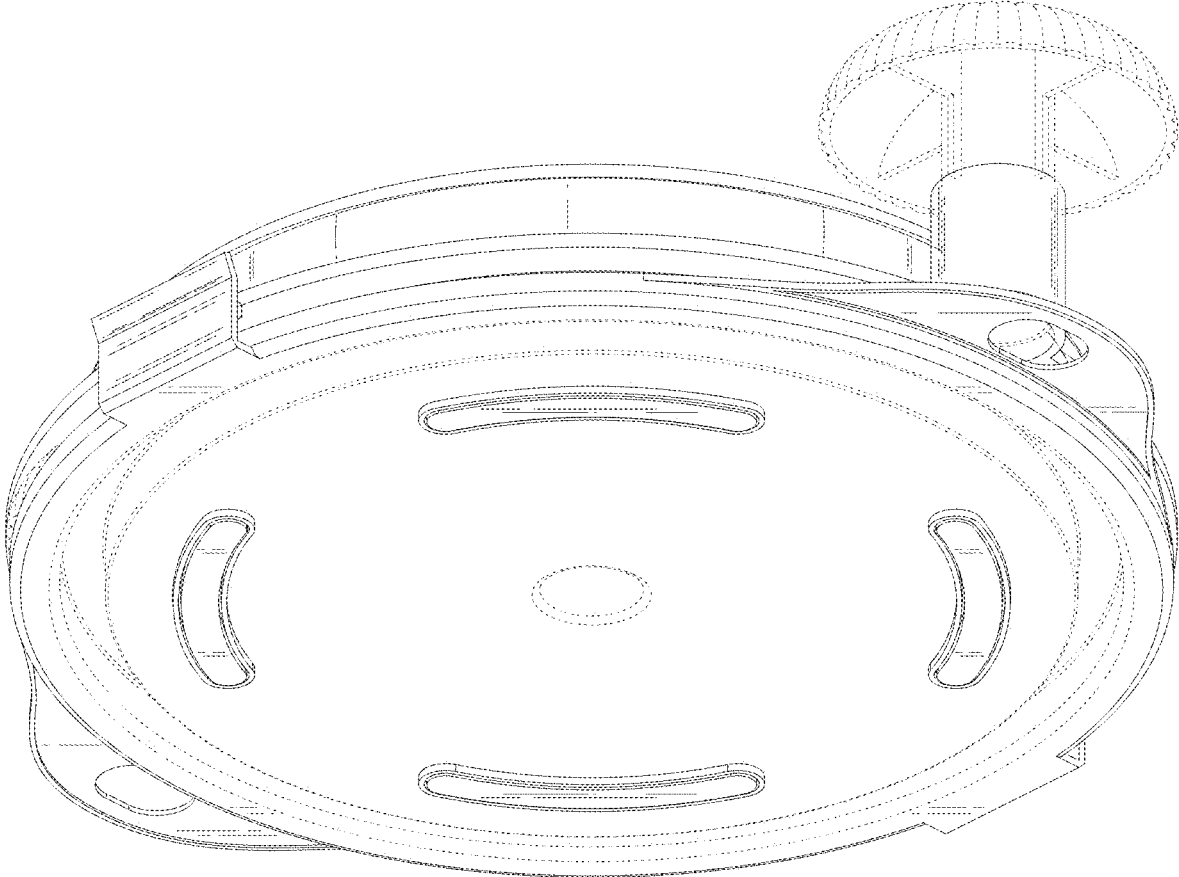


FIG. 2

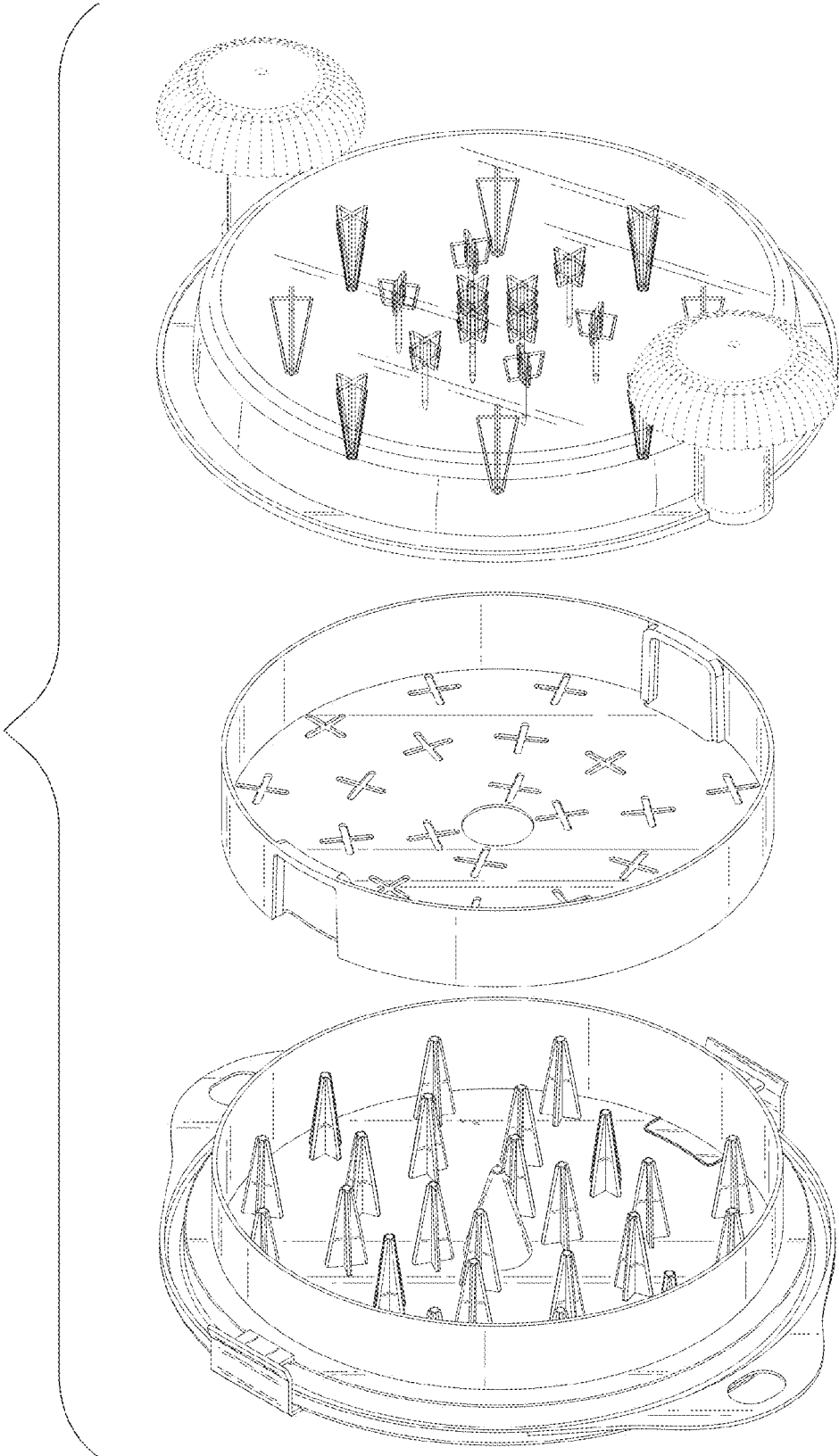


FIG. 3

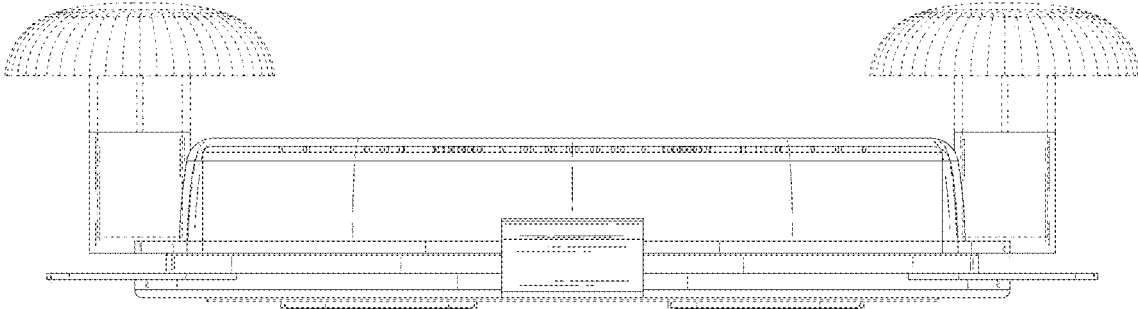


FIG. 4

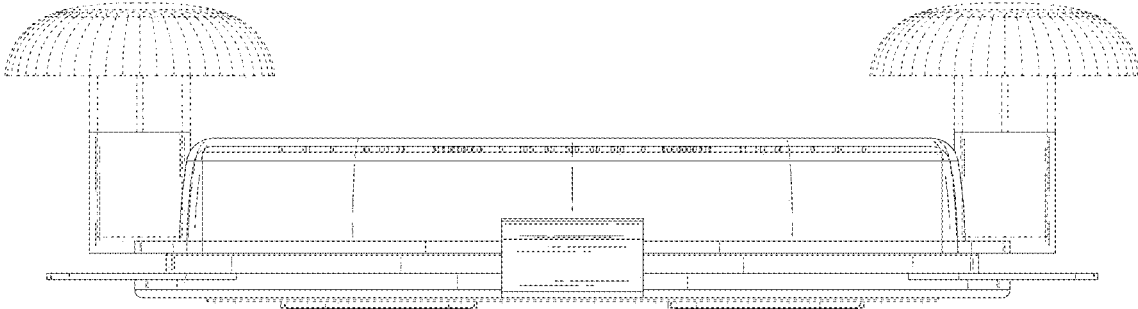


FIG. 5

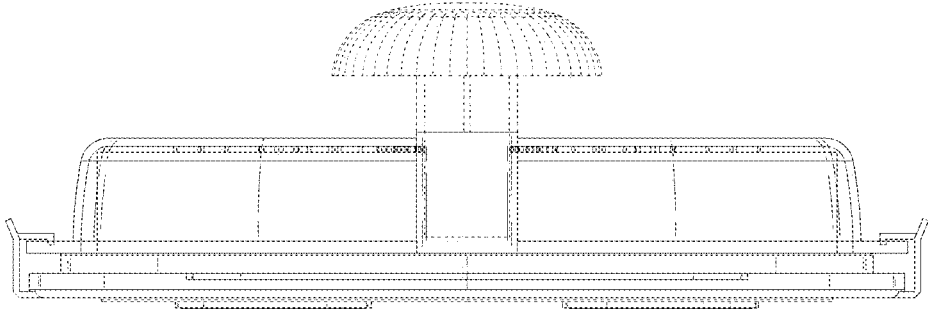


FIG. 6

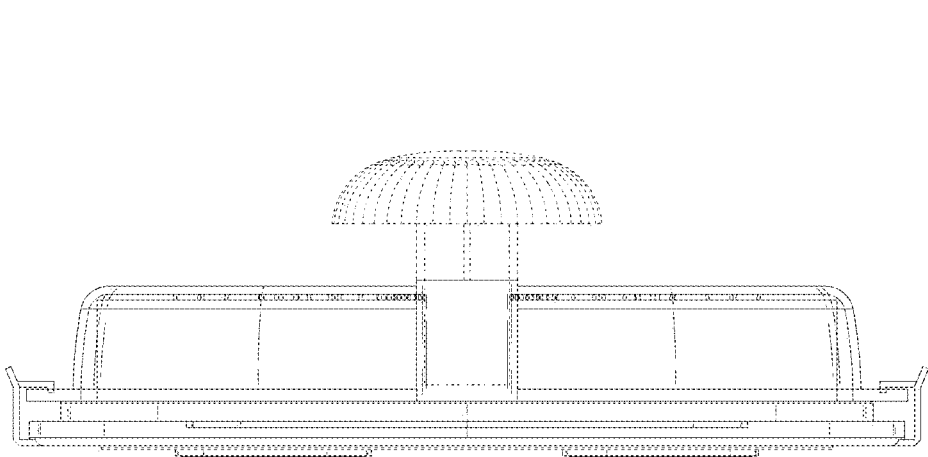


FIG. 7

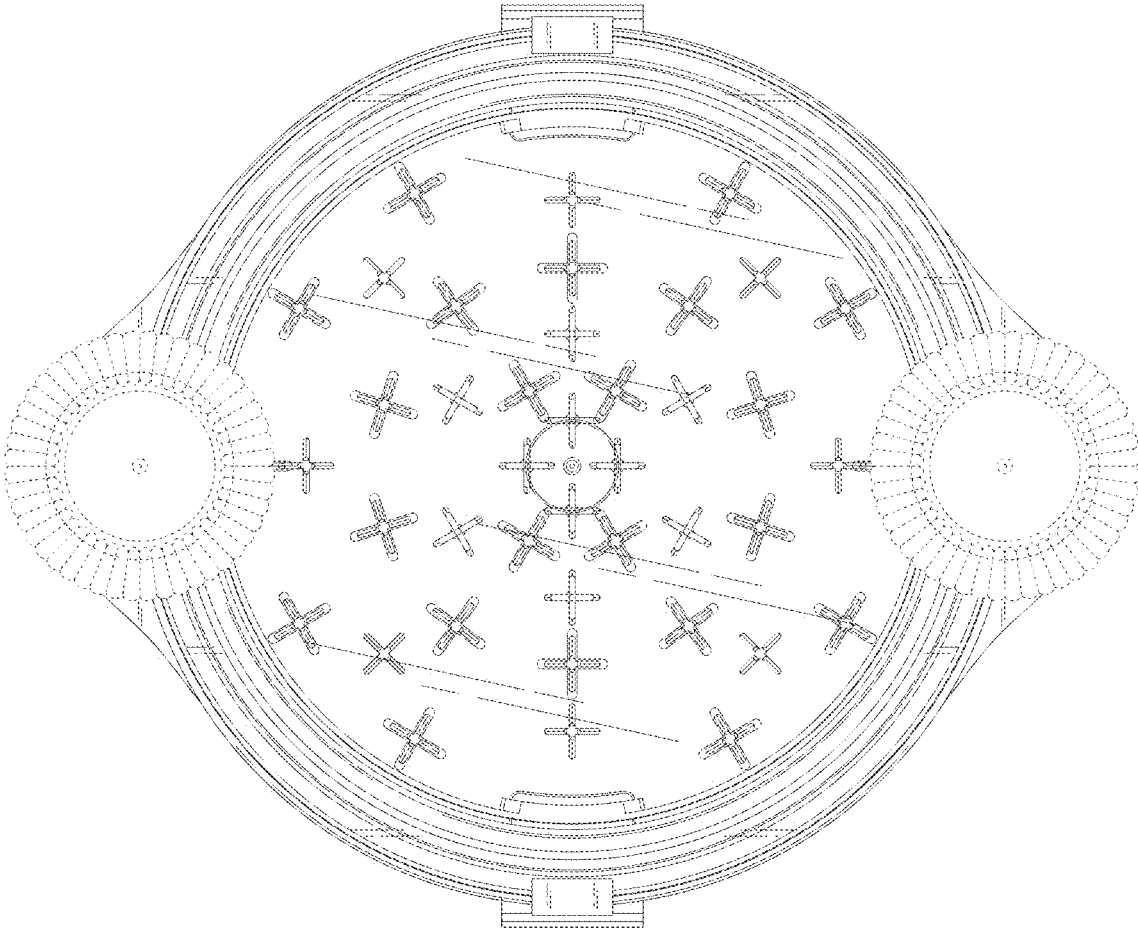


FIG. 8

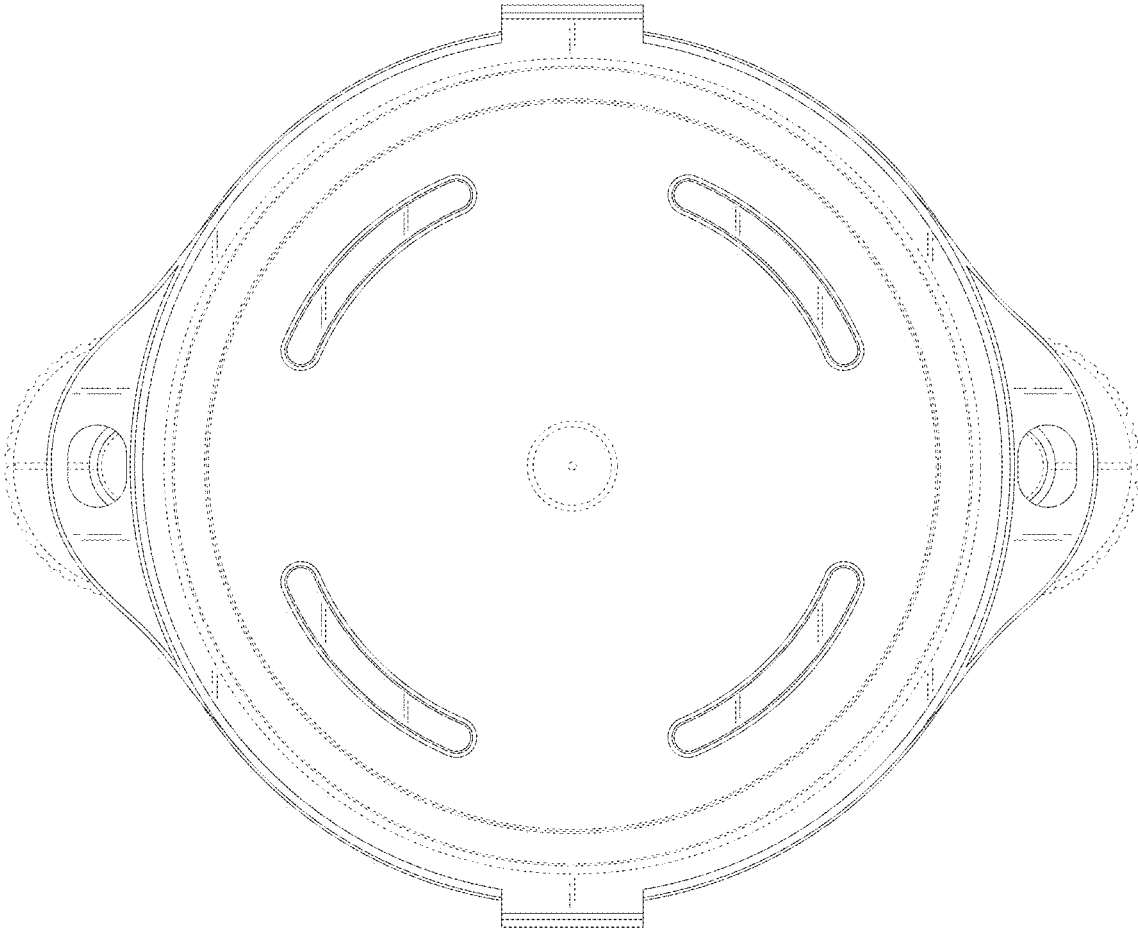


FIG. 9