

(12) INTERNATIONAL APPLICATION PUBLISHED UNDER THE PATENT COOPERATION TREATY (PCT)

(19) World Intellectual Property Organization  
International Bureau



(43) International Publication Date  
6 March 2003 (06.03.2003)

PCT

(10) International Publication Number  
WO 03/018325 A3

(51) International Patent Classification<sup>7</sup>: B42D 1/06, 1/00

(21) International Application Number: PCT/IB02/03521

(22) International Filing Date: 29 August 2002 (29.08.2002)

(25) Filing Language: English

(26) Publication Language: English

(71) Applicant (for all designated States except US):  
COMMUNICATION PROMOTION EDITION S.A.  
[CH/CH]; Avenue de la Gare 4, CH-1630 Bulle (CH).

(72) Inventor; and

(75) Inventor/Applicant (for US only): STEELE, Kevin, Paul  
[ZA/CH]; Résidence Golf C16, CH-1196 Gland (CH).

(74) Agent: CRONIN, Brian; Cronin Intellectual Property,  
Route de Clémenty 62, CH-1260 Nyon (CH).

(81) Designated States (national): AE, AG, AL, AM, AT, AU,  
AZ, BA, BB, BG, BR, BY, BZ, CA, CH, CN, CO, CR, CU,  
CZ, DE, DK, DM, DZ, EE, ES, FI, GB, GD, GE, GH, GM,  
HR, HU, ID, IL, IN, IS, JP, KE, KG, KP, KR, KZ, LC, LK,

LR, LS, LT, LU, LV, MA, MD, MG, MK, MN, MW, MX,  
MZ, NO, NZ, PL, PT, RO, RU, SD, SE, SG, SI, SK, SL,  
TJ, TM, TR, TT, TZ, UA, UG, US, UZ, VN, YU, ZA, ZW.

(84) Designated States (regional): ARIPO patent (GH, GM,  
KE, LS, MW, MZ, SD, SL, SZ, TZ, UG, ZM, ZW),  
Eurasian patent (AM, AZ, BY, KG, KZ, MD, RU, TJ, TM),  
European patent (AT, BE, BG, CH, CY, CZ, DE, DK, EE,  
ES, FI, FR, GB, GR, IE, IT, LU, MC, NL, PT, SE, SK,  
TR), OAPI patent (BF, BJ, CF, CG, CI, CM, GA, GN, GQ,  
GW, ML, MR, NE, SN, TD, TG).

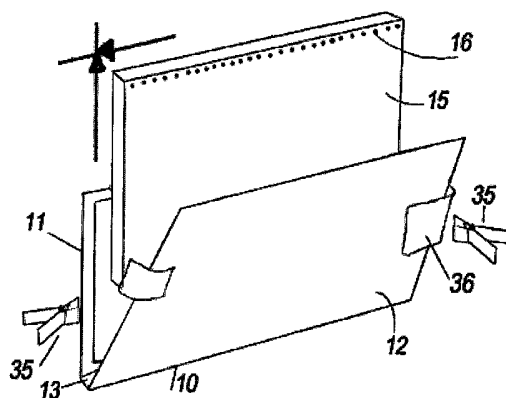
**Published:**

- with international search report
- before the expiration of the time limit for amending the claims and to be republished in the event of receipt of amendments
- upon request of the applicant, before the expiration of the time limit referred to in Article 21(2)(a)

(88) Date of publication of the international search report:  
6 November 2003

For two-letter codes and other abbreviations, refer to the "Guidance Notes on Codes and Abbreviations" appearing at the beginning of each regular issue of the PCT Gazette.

(54) Title: A KIT FOR MANUFACTURING A STITCH-BOUND PRINTED BOOK



(57) Abstract: A kit for manufacturing a stitch-bound printed book comprises a book cover (10), a collection of pre-perforated sheets (15) that can be printed to make up a printed bookblock (18), and endpapers (20a,20b) for assembling the printed bookblock in the cover. The pre-perforated loose sheets (15) have along one edge that corresponds to the book's spine a series of binding 10 perforations (16). The pre-perforated loose sheets (15) are printable on one or both sides in an A4 printer to constitute printed pages of the book. A bookblock (18) is formed by reconstituting the printed pre-perforated pages as a collection with their perforations (16) 15 aligned and by sewing through the perforations (16). This involves stitch-binding of individual sheets (15) instead of the usual stitch-binding of folded sheets, which makes it feasible to print the prepared collection of pre-perforated sheets using desktop publishing 20 equipment. The kit lends itself to using adhesive contact paper for the endpapers (20a,20b) in place of the application of glue, making binding practical and convenient. Fig. 2 and by sewing through the perforations (16). This involves stitch-binding of individual sheets (15) instead of the usual stitch-binding of folded sheets, which makes it feasible to print the prepared collection of pre-perforated sheets using desktop publishing equipment. The kit lends itself to using adhesive contact paper for the endpapers (20a,20b) in place of the application of glue, making binding practical and convenient.



WO 03/018325 A3

## INTERNATIONAL SEARCH REPORT

International application No.  
PCT/IB 02/03521

## CLASSIFICATION OF SUBJECT MATTER

IPC<sup>7</sup>: B42D 1/06, B42D 1/00

According to International Patent Classification (IPC) or to both national classification and IPC

## B. FIELDS SEARCHED

Minimum documentation searched (classification system followed by classification symbols)

IPC<sup>7</sup>: B42C, B42D

Documentation searched other than minimum documentation to the extent that such documents are included in the fields searched

Electronic data base consulted during the international search (name of data base and, where practicable, search terms used)

WPI, EPODOC, PAJ

## C. DOCUMENTS CONSIDERED TO BE RELEVANT

Category	Citation of document, with indication, where appropriate, of the relevant passages	Relevant to claim No.
X	GB 2221190 A (JAMESWAY PRINT FINISHERS LIMITED) 31 January 1990 (31.01.90) <i>page 4.</i>	1,14,15
X	JP 2002 178664 A (YAMAMOTO EIJI) 26 June 2002 (26.06.02) <i>abstract &amp; page 2, paragraphs [4-6].</i>	1
X	JP 2002 166679 A (KOBAYASHI:KK) 4 December 2000 (04.12.00) <i>abstract &amp; page 3, paragraph [9].</i>	1
A	GB 2050445 A (MILLICENT BALLANTINE) 7 January 1981 (07.01.81) <i>pages 1&amp;2, claims 1-7.</i>	1,14
A	EP 0489535 A1 (CLIMAX PAPERS CONVERTERS LTD) 10 June 1992 (10.06.92) <i>column 2, lines 44-58 &amp; column 3, lines 1-16.</i>	1
----		

 Further documents are listed in the continuation of Box C. See patent family annex.

\* Special categories of cited documents:

„A“ document defining the general state of the art which is not considered to be of particular relevance

„E“ earlier application or patent but published on or after the international filing date

„L“ document which may throw doubts on priority claim(s) or which is cited to establish the publication date of another citation or other special reason (as specified)

„O“ document referring to an oral disclosure, use, exhibition or other means

„P“ document published prior to the international filing date but later than the priority date claimed

„T“ later document published after the international filing date or priority date and not in conflict with the application but cited to understand the principle or theory underlying the invention

„X“ document of particular relevance; the claimed invention cannot be considered novel or cannot be considered to involve an inventive step when the document is taken alone

„Y“ document of particular relevance; the claimed invention cannot be considered to involve an inventive step when the document is combined with one or more other such documents, such combination being obvious to a person skilled in the art

„&amp;“ document member of the same patent family

Date of the actual completion of the international search

26 June 2003 (26.06.2003)

Date of mailing of the international search report

12 August 2003 (12.08.2003)

Name and mailing address of the ISA/AT

Austrian Patent Office  
Dresdner Straße 87, A-1200 Vienna  
Facsimile No. 1/53424/535

Authorized officer

GIBLEY D.

Telephone No. 1/53424/377

# INTERNATIONAL SEARCH REPORT

Information on patent family members

International application No.

PCT/IB 02/03521

Patent document cited in search report			Publication date	Patent family member(s)			Publication date
EP	A1	489535	10-06-1992	none			
GB	A1	2050445	07-01-1981	FR	A1	2458853	02-01-1981
GB	A1	2221190	31-01-1990	GB	A0	8816401	17-08-1988
				GB	A0	8915738	31-08-1989
JP	A	20021666 79A2		none			
JP	A	20021786 64A2		none			