



US00D360310S

# United States Patent [19]

[11] Patent Number: Des. 360,310

Stamberg et al.

[45] Date of Patent: \*\* Jul. 18, 1995

[54] LOUNGE SEATING

Attorney, Agent, or Firm—Carla J. Vrsansky

[75] Inventors: Peter Stamberg; Paul Aferiat, both of New York, N.Y.

## [57] CLAIM

The ornamental design for lounge seating, as shown and described.

[73] Assignee: Westinghouse Electric Corp., Pittsburgh, Pa.

## DESCRIPTION

[\*\*] Term: 14 Years

FIG. 1 is a perspective view of lounge seating showing our new design;

[21] Appl. No.: 24,098

FIG. 2 is a front elevational view thereof;

[22] Filed: Jun. 8, 1994

FIG. 3 is a rear elevational view thereof;

[52] U.S. Cl. .... D6/334; D6/381

FIG. 4 is a right side elevational view thereof, the left side being a mirror image thereof;

[58] Field of Search ..... D6/334, 335, 336, 364,

FIG. 5 is a top plan view thereof;

D6/371, 373, 381, 500, 501, 502; 297/232, 445, 446

FIG. 6 is a bottom plan view thereof;

FIG. 7 is a perspective view of an alternate embodiment of our new design;

## [56] References Cited

FIG. 8 is a front elevational view thereof;

### U.S. PATENT DOCUMENTS

FIG. 9 is a rear elevational view thereof;

D. 220,997	6/1971	Svezia et al.	.....	D6/335
D. 222,051	9/1971	Shannon	.....	D6/381
D. 234,731	4/1975	McDonald	.....	D6/371
D. 239,580	4/1976	Robertson et al.	.....	D6/381
D. 244,328	5/1977	Heumann	.....	D6/334

FIG. 10 is a right side elevational view thereof, the left side being a mirror image thereof;

FIG. 11 is a top plan view thereof;

FIG. 12 is a bottom plan view thereof;

FIG. 13 is a perspective view of a second alternate embodiment of our new design;

### OTHER PUBLICATIONS

FIG. 14 is a front elevational view thereof;

FIG. 15 is a rear elevational view thereof;

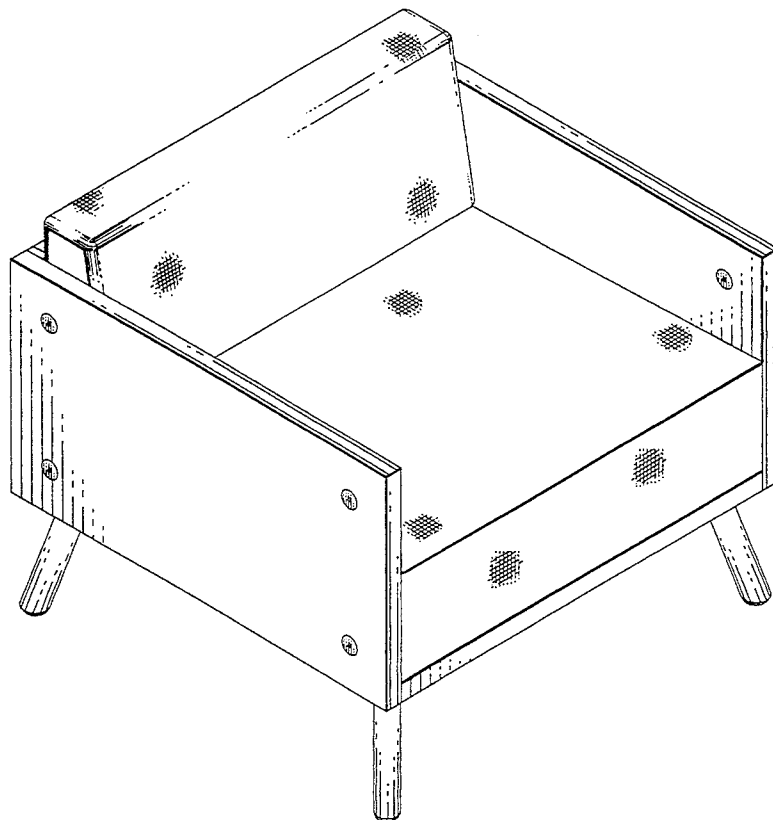
FIG. 16 is a right side elevational view thereof, the left side being a mirror image thereof;

FIG. 17 is a top plan view thereof; and,

FIG. 18 is a bottom plan view thereof.

Selig Imperial, p. L6B, sofa #741-95B shown.  
Selig Imperial, p. L60C, chair #R947-19 shown.

Primary Examiner—Alan P. Douglas  
Assistant Examiner—Gary D. Watson



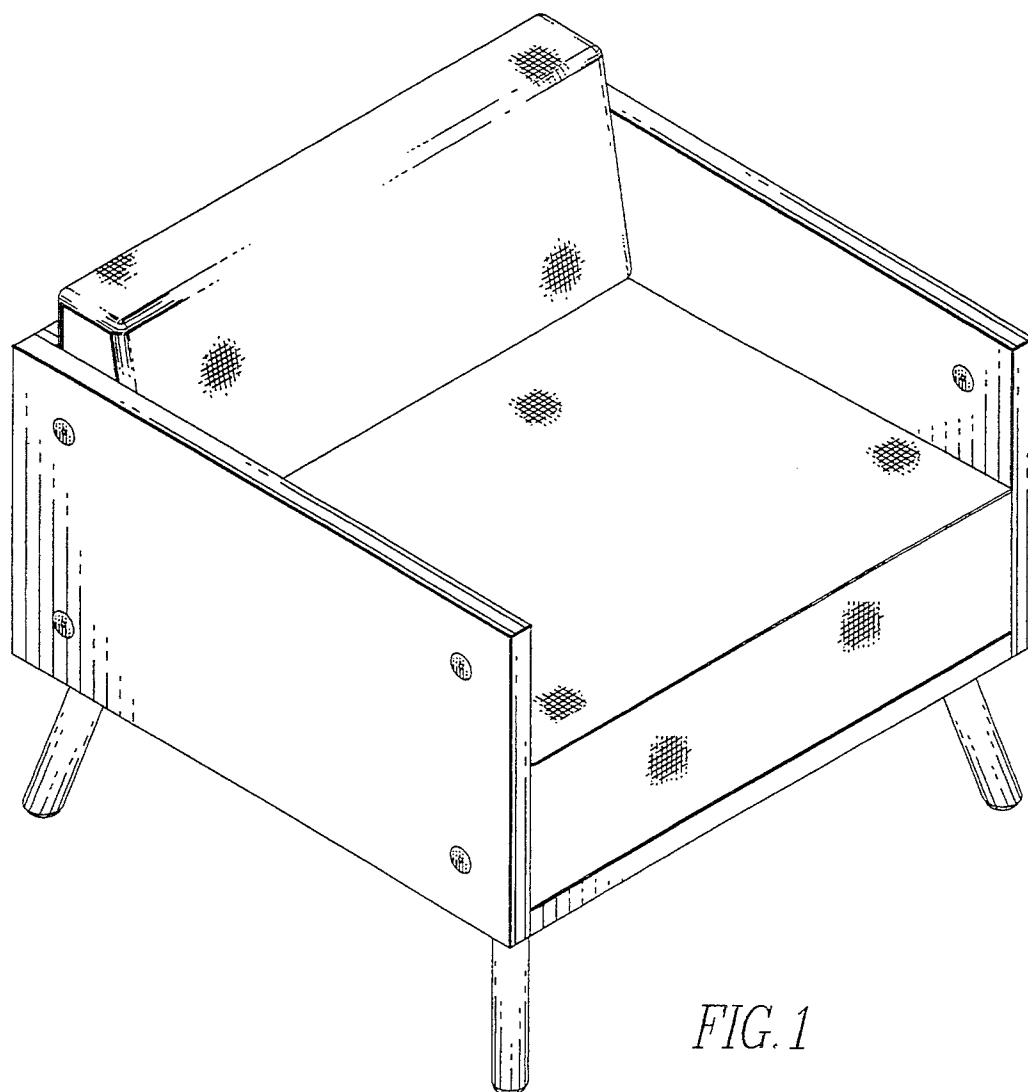


FIG. 1

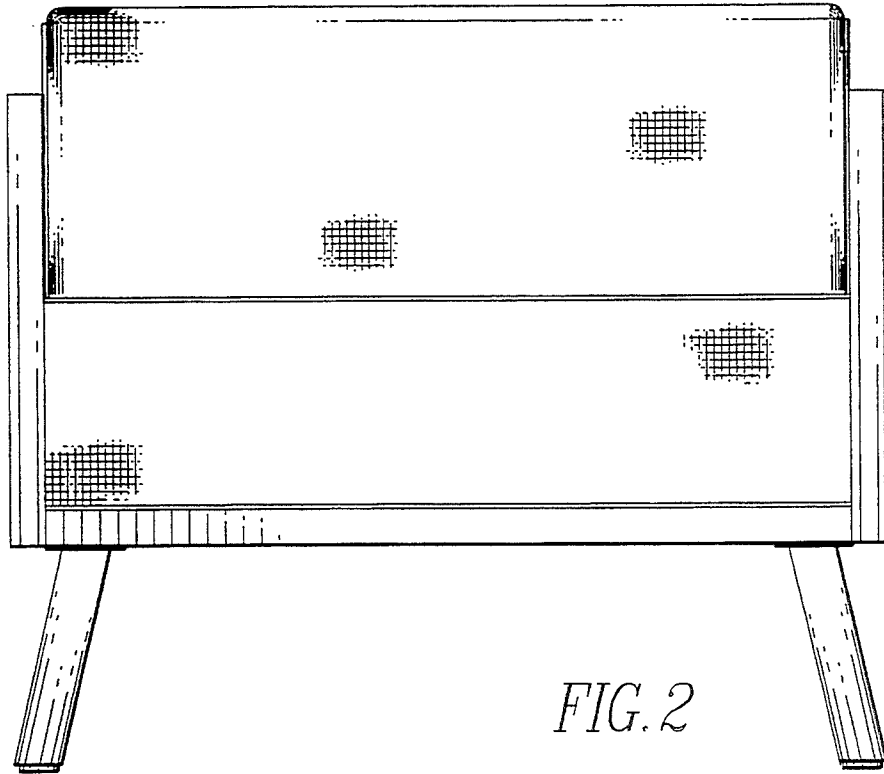


FIG. 2

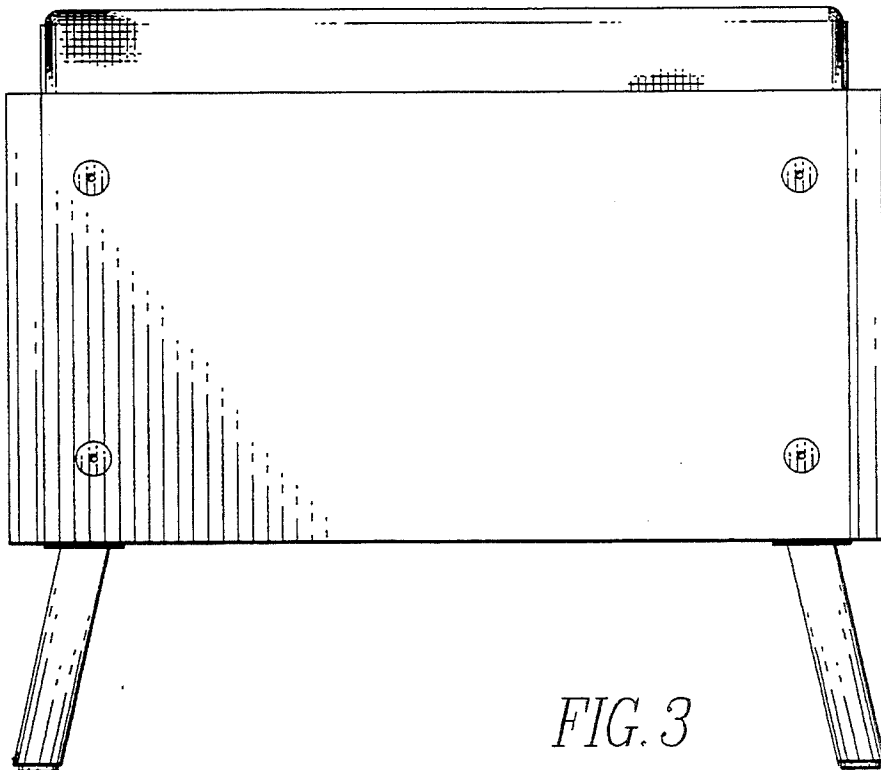


FIG. 3

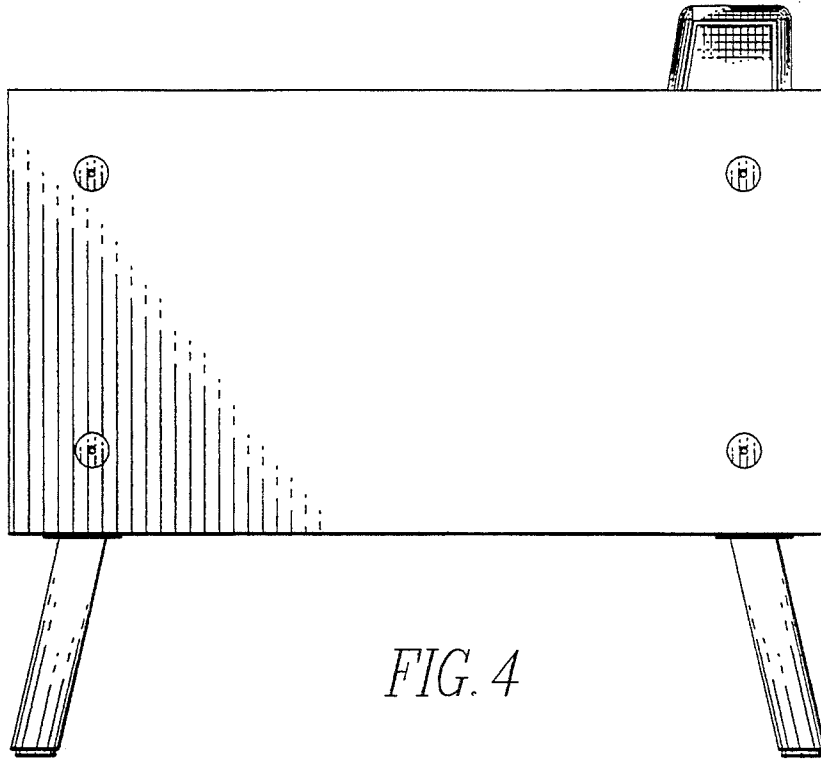


FIG. 4

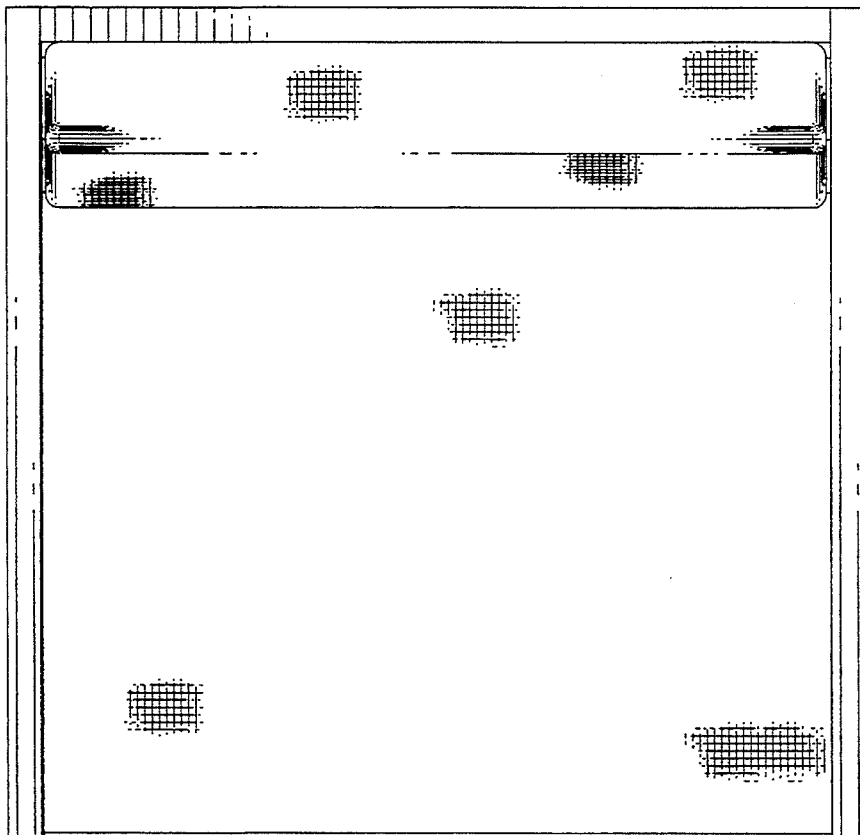


FIG. 5

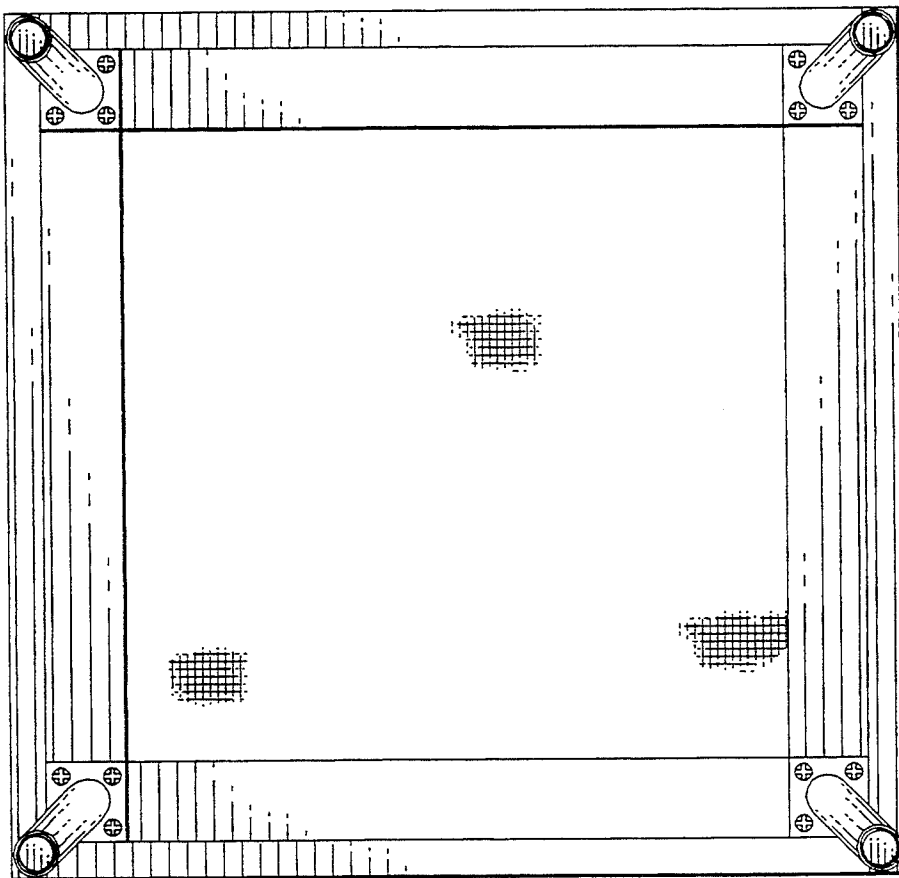
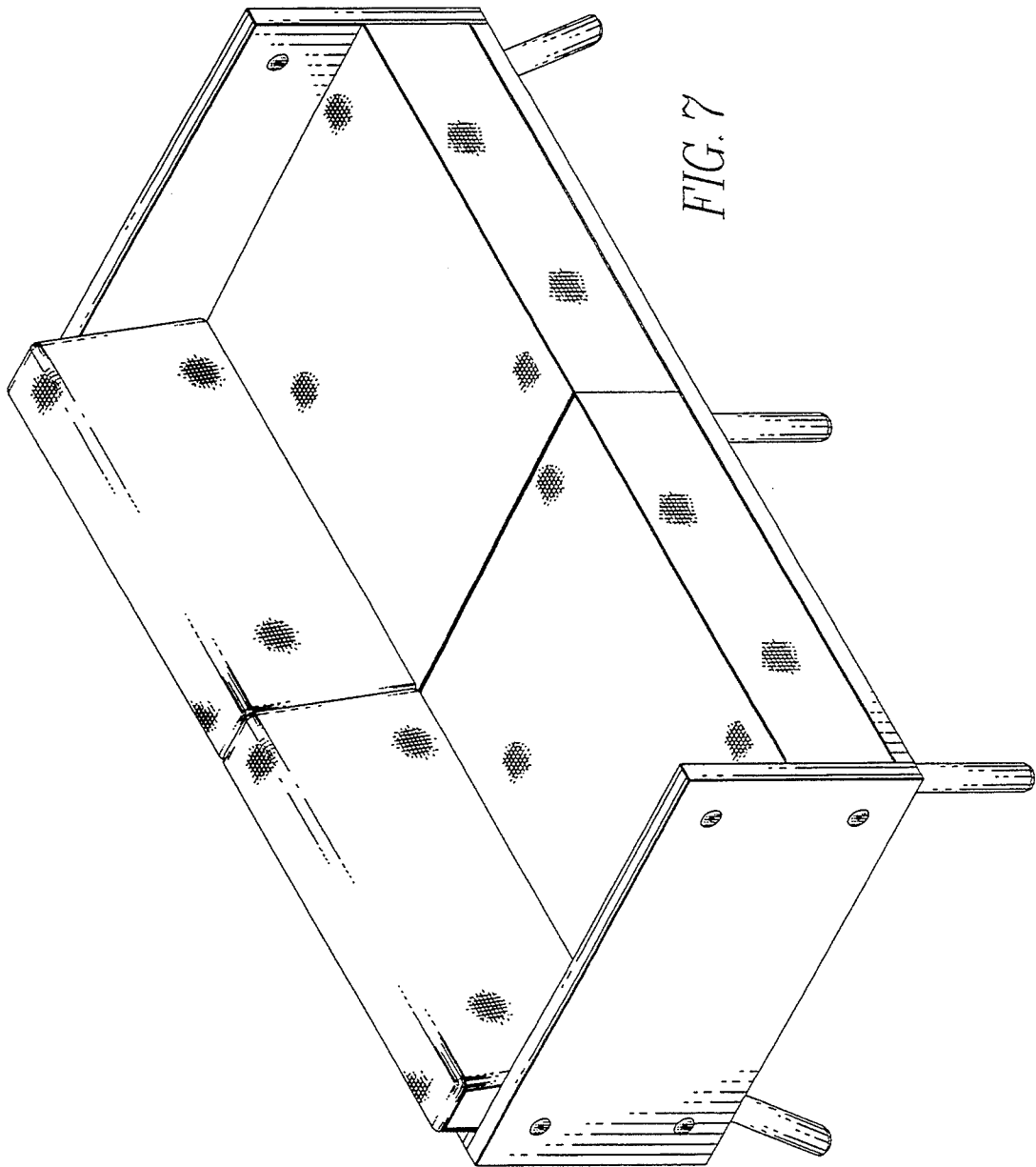


FIG. 6



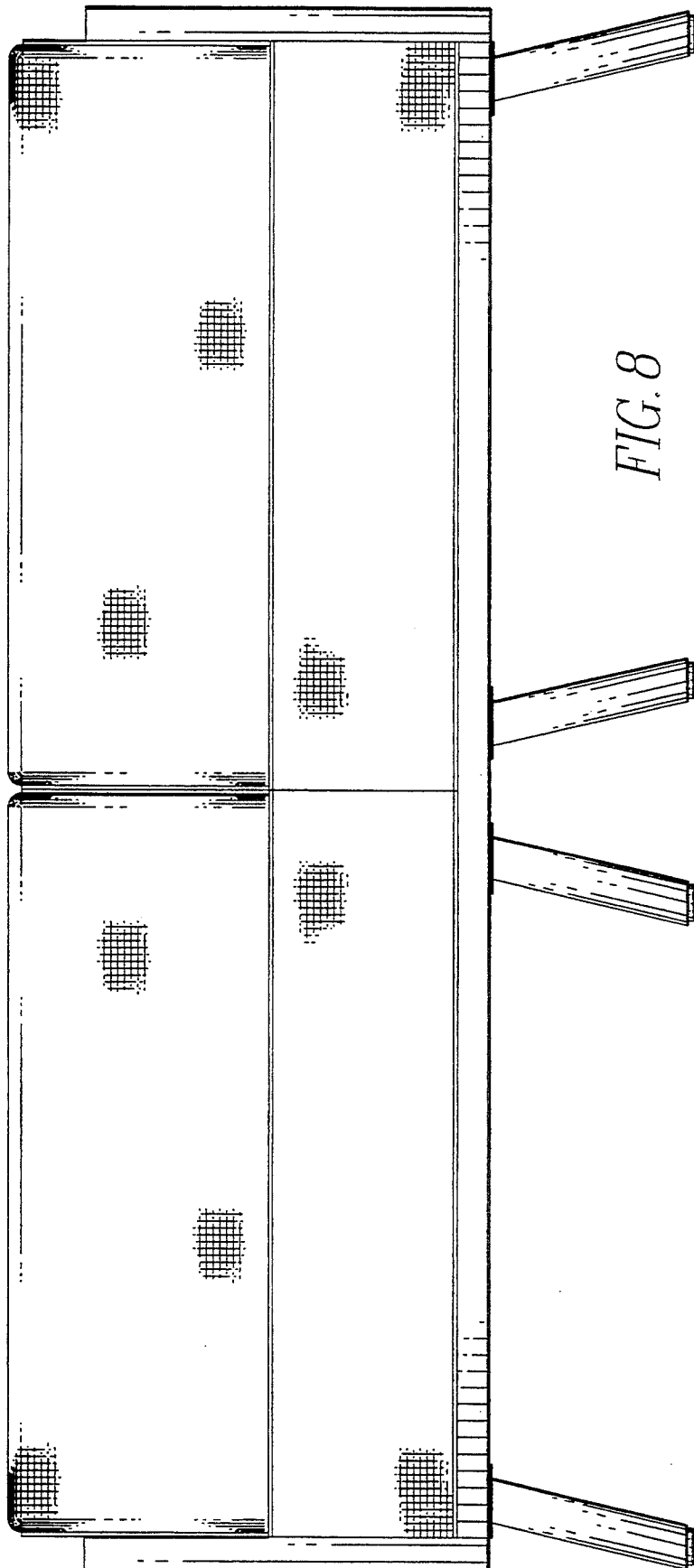


FIG. 8

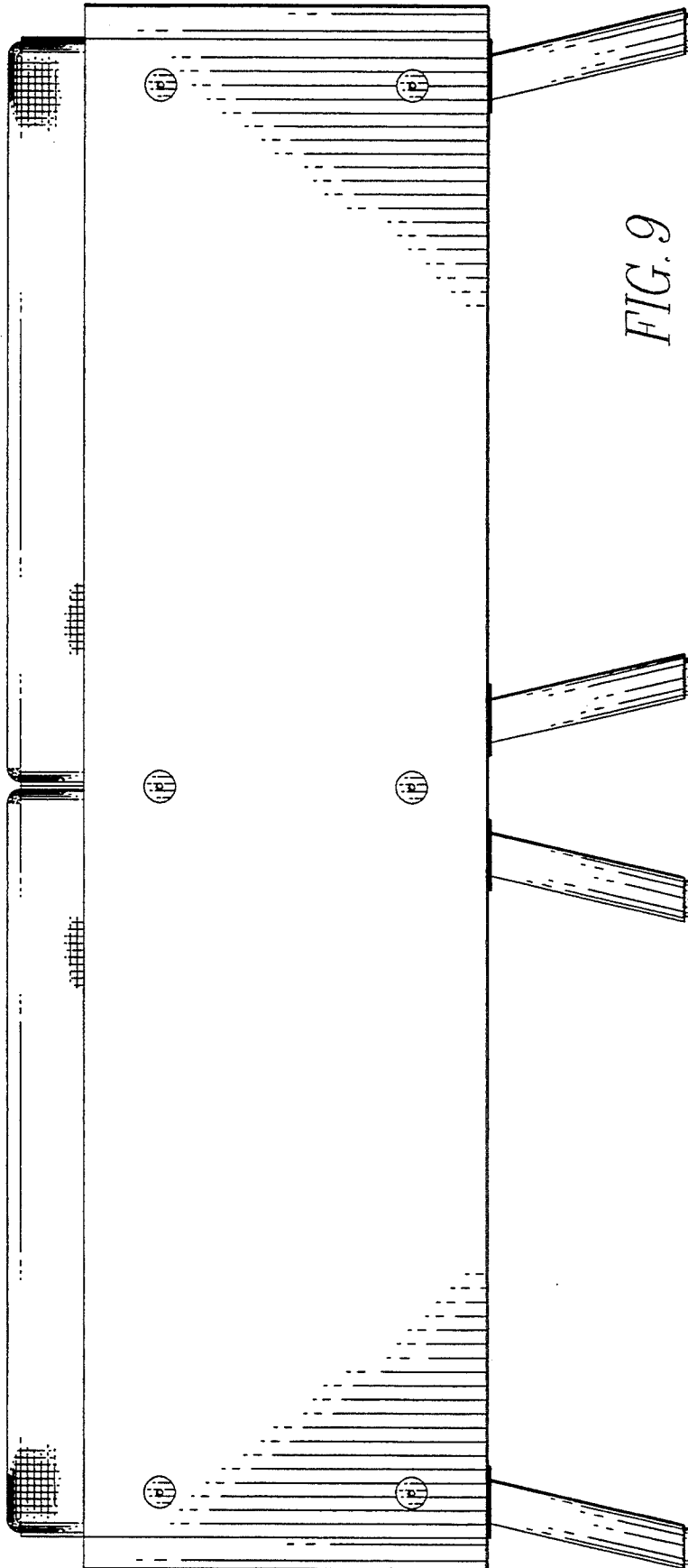


FIG. 9

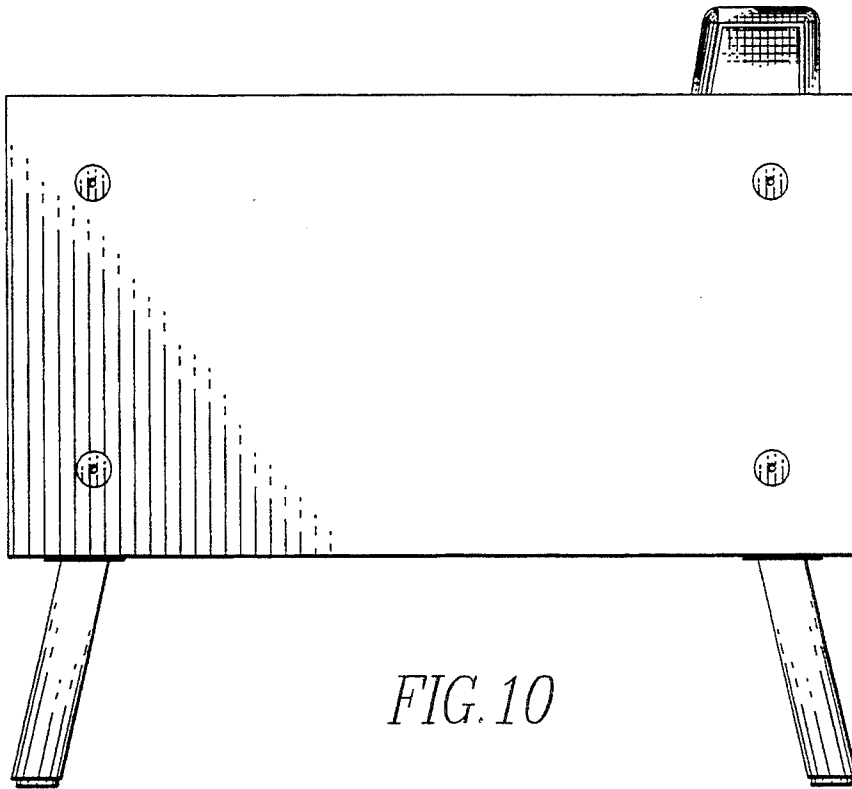


FIG. 10

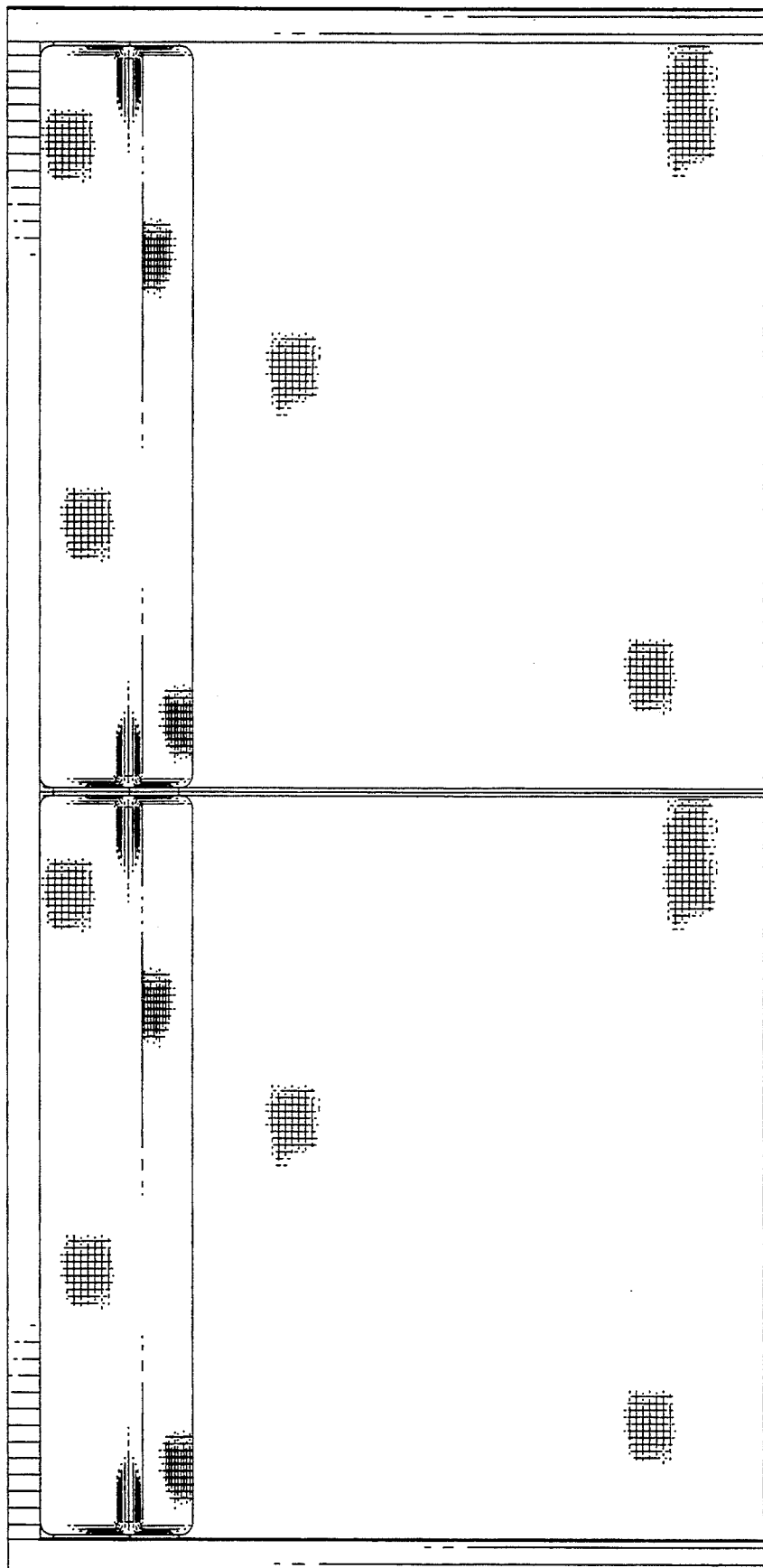


FIG. 11

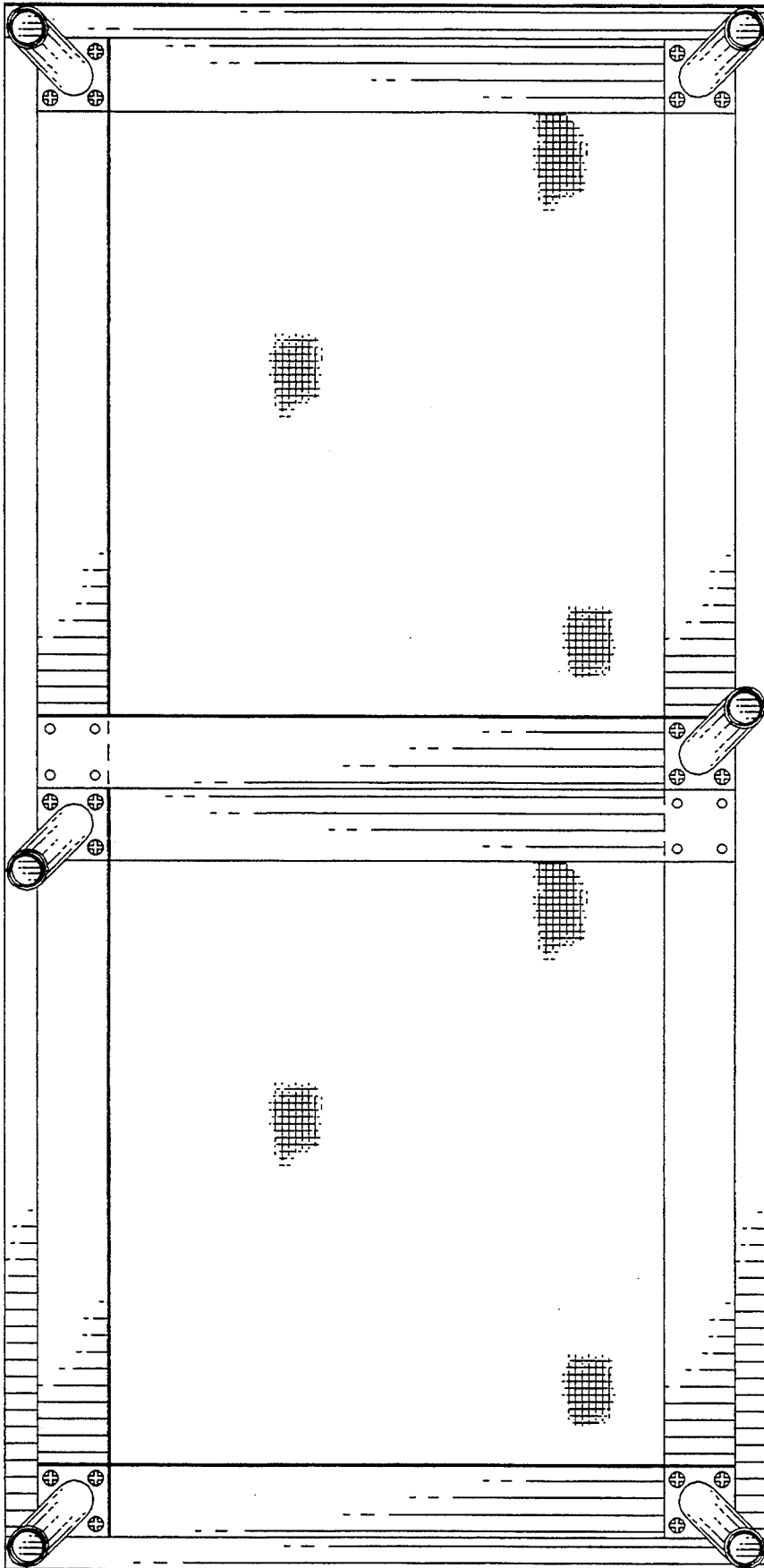


FIG. 12

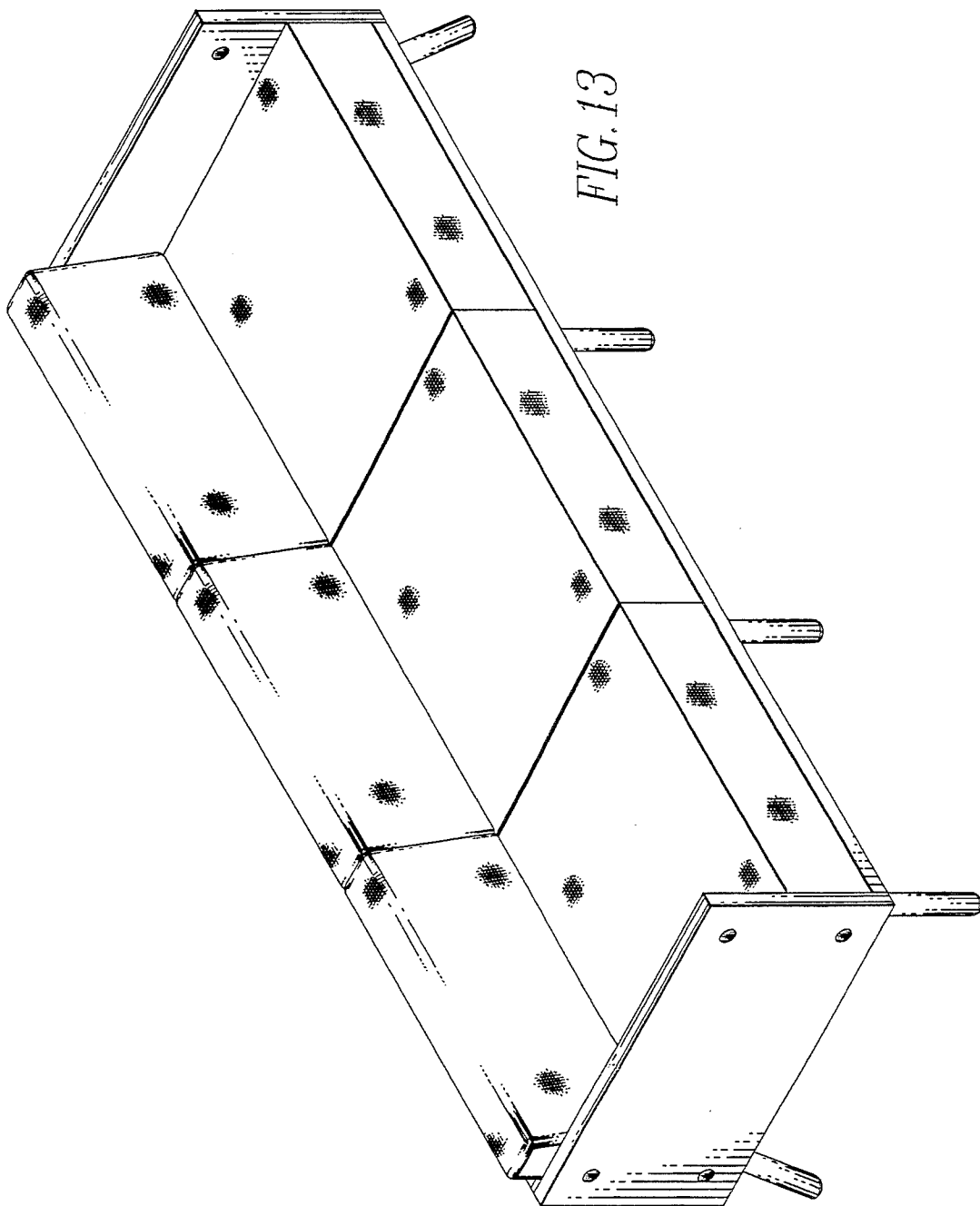


FIG. 13

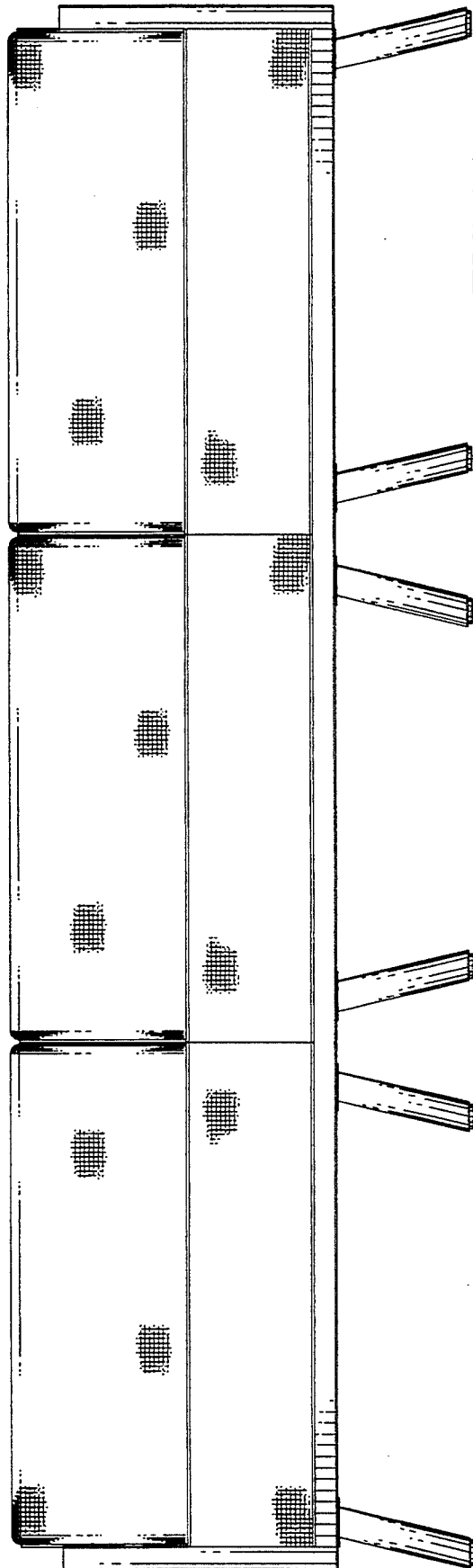


FIG. 14

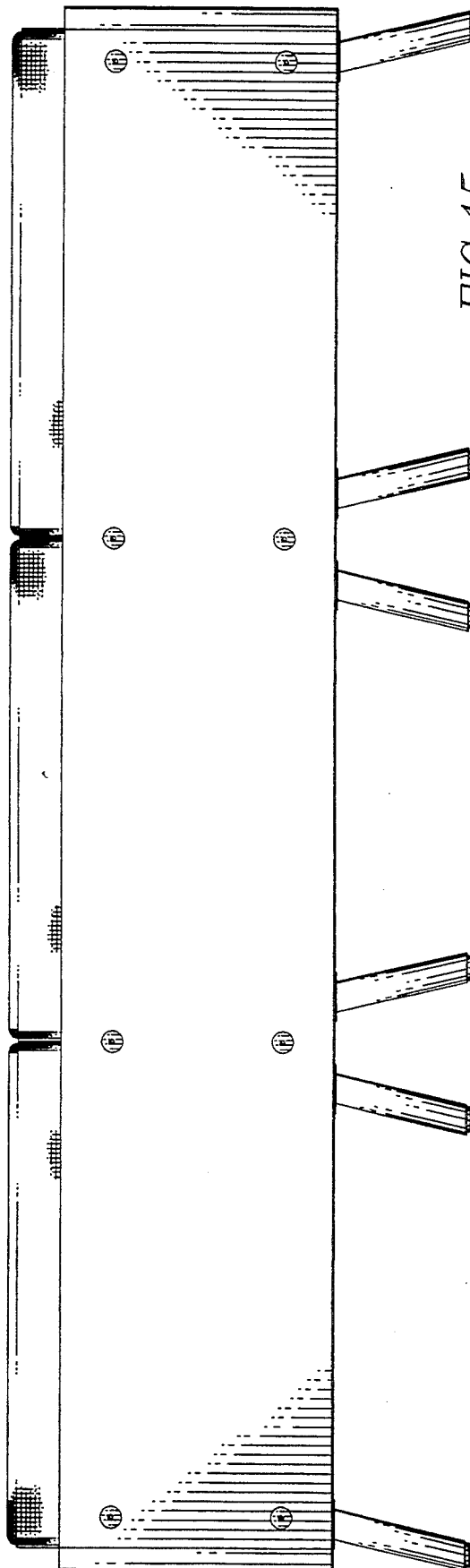


FIG. 15

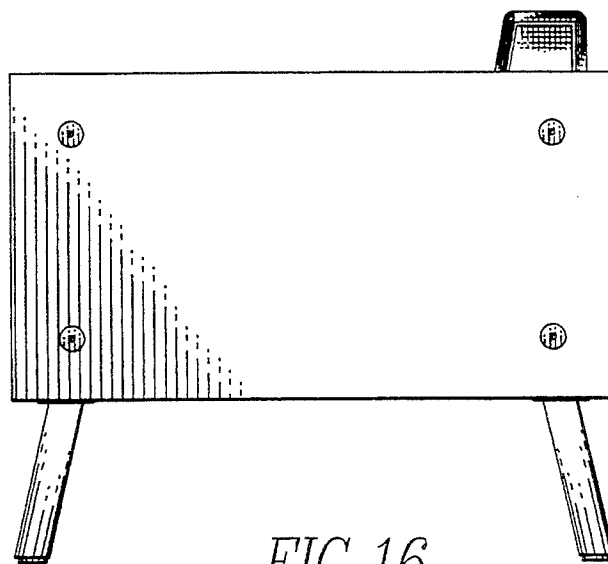


FIG. 16

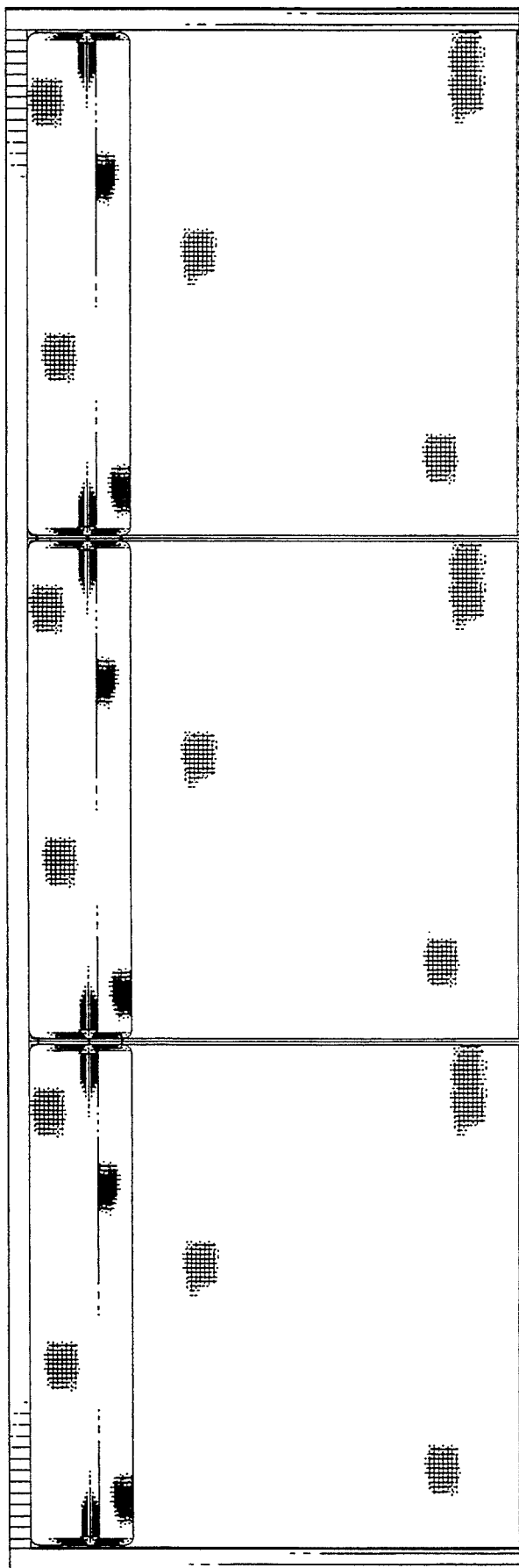


FIG. 17

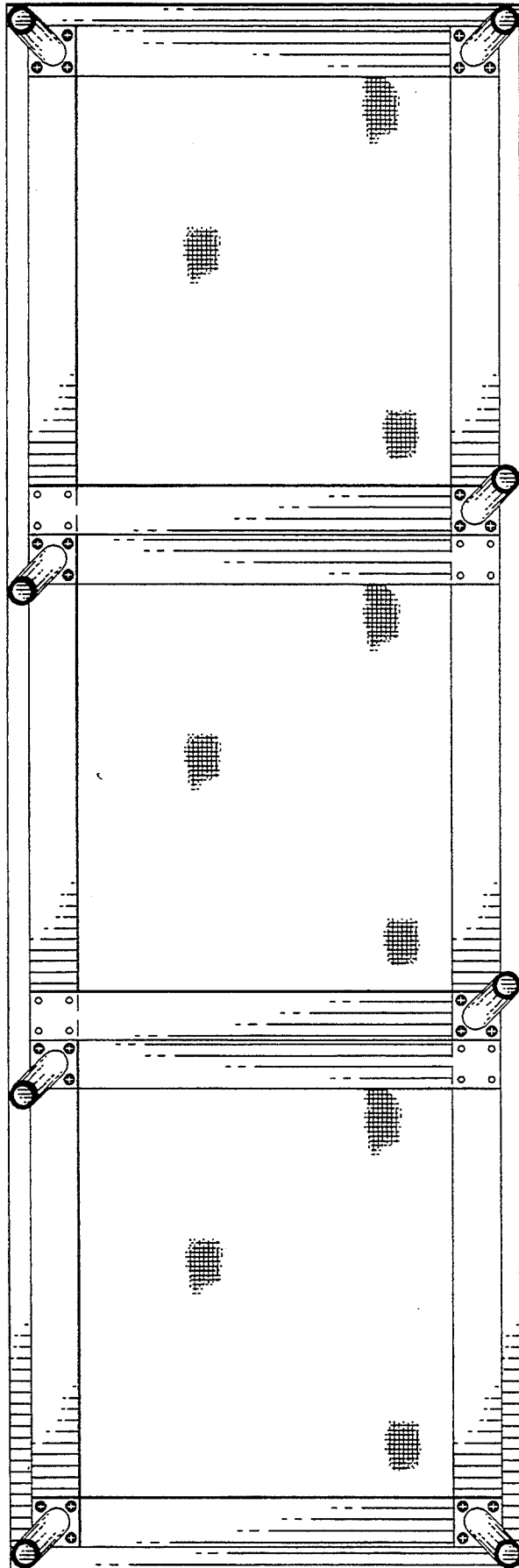


FIG. 18