

(19) **DANMARK**

(10) **DK/EP 2858538 T3**



Patent- og
Varemærkestyrelsen

(12) **Oversættelse af
europæisk patentskrift**

-
- (51) Int.Cl.: **A 47 J 31/36 (2006.01)**
- (45) Oversættelsen bekendtgjort den: **2016-07-25**
- (80) Dato for Den Europæiske Patentmyndigheds bekendtgørelse om meddelelse af patentet: **2016-04-20**
- (86) Europæisk ansøgning nr.: **13729471.6**
- (86) Europæisk indleveringsdag: **2013-05-08**
- (87) Den europæiske ansøgnings publiceringsdag: **2015-04-15**
- (86) International ansøgning nr.: **IB2013053688**
- (87) Internationalt publikationsnr.: **WO2013182923**
- (30) Prioritet: **2012-06-08 IT TO20120503**
- (84) Designerede stater: **AL AT BE BG CH CY CZ DE DK EE ES FI FR GB GR HR HU IE IS IT LI LT LU LV MC MK MT NL NO PL PT RO RS SE SI SK SM TR**
- (73) Patenthaver: **Luigi Lavazza S.p.A., Corso Novara 59, 10154 Torino, Italien**
- (72) Opfinder: **BUGNANO, Luca, c/o Luigi Lavazza S.p.A., Corso Novara 59, I-10154 Italy, Italien**
CABILLI, Alberto, c/o Luigi Lavazza S.p.A., Corso Novara 59, I-10154 Torino, Italien
- (74) Fuldmægtig i Danmark: **Zacco Denmark A/S, Arne Jacobsens Allé 15, 2300 København S, Danmark**
- (54) Benævnelse: **Leveringsenhed til maskiner til fremstilling af drikke gennem kapsler**
- (56) Fremdragne publikationer:
EP-A1- 1 854 384
EP-A1- 1 859 713
WO-A1-2010/149468
WO-A2-2011/015978

DESCRIPTION

Technical field

[0001] The present invention relates to machines, systems, and methods for preparing beverages and liquid products in general using capsules. The invention has been developed with particular reference to delivery assemblies for the machines of the type referred to above.

Prior art

[0002] EP 1854384 A1 discloses a machine for preparing beverages using capsules having a delivery assembly that comprises a stationary injector device, a movable capsule-holder, and an actuation kinematic arrangement, which can be operated for causing displacements of the capsule-holder between a position distanced from the injector device and a position approached to the injector device, respectively for loading a capsule and for injecting water and/or steam under pressure therein.

[0003] Operatively associated to the capsule-holder is an ejection device, designed to eject automatically from the capsule-holder the exhausted capsule used for preparing the beverage. The above device comprises a longitudinally extended ejector member, axially movable with respect to the capsule-holder and designed to co-operate with an associated reaction member. The reaction member is constituted by a body that is mounted in the support structure of the assembly so as to be able to oscillate between a stable position and an unstable position. In its stable position, the reaction member is able to cause activation of the ejector member, while the capsule-holder passes from the injection position to the loading position. Instead, in its unstable position, the contrast member enables deactivation of the ejector member without the latter preventing insertion of a new capsule into the capsule-holder, at the end of passage from the injection position to the loading position. The reaction member is able to disengage from the ejector member and come back automatically into the stable position when the capsule-holder passes from its loading position to its injection position.

[0004] An ejection device technically similar to the one just been described is provided in the delivery assembly of the machine known from WO 2011/015978 A1.

[0005] Use of an ejector member as envisaged in the cited prior documents guarantees ejection of a capsule even when, between the capsule itself and the capsule-holder, there occurs significant mechanical interference, for example due to a marked deformation of the body of the capsule that may come about following upon injection of hot water. However, the above known solution presents the drawback that the contrast member that is movably mounted occupies in itself a certain amount of space within the delivery assembly and around it there must be kept a free space, sufficiently wide to enable oscillation thereof. The overall dimensions of the delivery assembly are consequently increased.

Aim and summary of the invention

[0006] In view of what has been set forth above, the aim of the present invention is mainly to provide a delivery assembly having a compact structure, which is simple from the constructional standpoint, is convenient to use, and is distinguished by a high degree of reliability.

[0007] According to the invention, the aforesaid aims are achieved thanks to a delivery assembly for machines for preparing beverages and liquid products in general having the characteristics recalled in Claim 1. The invention likewise relates to a system and a method for preparing beverages that use the delivery assembly of Claim 1. Advantageous developments of the invention form the subject of the dependent claims. The claims form an integral part of the technical teaching provided herein in relation to the invention.

Brief description of the drawings

[0008] The invention will now be described, purely by way of non-limiting example, with reference to annexed drawings, wherein:

- Figures 1 and 2 are a perspective view and a cross-sectional view, respectively, of a generic sealed capsule that can be used in a machine for preparing liquid products according to the present invention;
- Figure 3 is a schematic view in side elevation of a delivery assembly according to a possible embodiment of the invention;
- Figure 4 is a partial schematic view in side elevation of the delivery assembly of Figure 3, with some components removed, the assembly being in a first operating condition;
- Figure 5 is a schematic view in side elevation of some components of the assembly of Figure 4;
- Figures 6-10 are views similar to the view of Figure 4, but with the assembly in as many different operating conditions; and
- Figures 11-12 are partial schematic sections of a second embodiment of a delivery assembly according to the invention, in two different operating conditions.

Description of preferred embodiments of the invention

[0009] Reference to "an embodiment" or "one embodiment" in the framework of this description is intended to indicate that a particular configuration, structure, or characteristic described in relation to the embodiment is comprised in at least one embodiment. Hence, phrases such as "in an embodiment" or "in one embodiment" and the like that may be present in various points of the present description do not necessarily refer to one and the same embodiment. Moreover, particular conformations, structures, or characteristics may be combined in any adequate way in one or more embodiments. The references used herein are provided merely for convenience and hence do not define the sphere of protection or the scope of the embodiments.

[0010] Figures 1 and 2 illustrate, merely by way of example, a capsule that can be used in a delivery assembly according to a preferred embodiment of the present invention. The capsule, designated by 10, contains a dose 12 of at least one substance that is able to form a liquid product using water and/or steam. The dose 12 may be constituted by ground coffee or some other precursor of a liquid product, such as for example tea, powdered or granular chocolate, products for preparing broths, soups, drinks, and infusions of various nature. In what follows, for simplicity, reference will be made to the preparation coffee, with the dose 12 that is hence understood as being constituted by ground coffee. In the structure of the capsule 10, as a whole substantially shaped like a tray or small cup, located within which is the dose 12, there may be distinguished:

- a body 14, comprising a side or peripheral wall 14a and a bottom wall 14b that closes the body 14 at one end of the side wall 14a; and
- a closing wall 16, which closes the capsule 10 at the end opposite to the bottom wall 14b.

[0011] In the example illustrated, the capsule 10 is a hermetically closed capsule, with the wall 16 that is constituted by a sealing foil. The body of the capsule 10 is generally semirigid, preferably made of moulded plastic material, for example polypropylene-based plastic material, whereas the wall 16 is made of a flexible sheet material, for example an aluminium-based material. The invention may in any case also be used in combination with capsules made of other materials, for example capsules made of filter paper or the like, usually identified by the term "pod", and/or with capsules having the bottom wall and/or the closing wall provided with holes.

[0012] In the example, the wall or foil 16 is sealingly connected, for example by heat-sealing, to the side wall 14a of the body 14 of the capsule, in particular at an outer annular flange 14c thereof, which surrounds the mouth part of the body 14. The capsule 10 hence has a shape that is asymmetrical with respect to a plane passing through the flange 14c. In the case exemplified the body 14 is shaped like a cup or a tray that diverges starting from the bottom wall 14b to the end closed by the foil 16. Preferentially, said divergent shape is frustoconical. On the other hand, this shape is not imperative in so far as the capsule 10 may as a whole present different shapes; for example, it may be cylindrical, prismatic, frustopyramidal, etc. In the non-limiting example represented, the bottom wall 14b is shaped like a concave vault, with the concavity of said vault oriented towards the outside of the capsule 10. Also in this case, the choice of said shape is not imperative in so far as the capsule 10 could have, for example, a bottom wall 14b shaped like a vault with the concavity facing the inside of the capsule 10, or else a bottom wall 14b that is plane or substantially plane.

[0013] In Figure 3 represented partially and schematically is a machine M for preparing beverages and liquid products in general using capsules, according to one embodiment of the invention. In Figure 3, the machine M is represented limitedly to a delivery assembly thereof, designated as a whole by 1, which has a support structure or casing 2 that comprises two shaped side plates, one of which designated by 30, which extend facing and substantially parallel to one another.

[0014] In Figures 4 and 6-12, to enable the reader to view internal details of the assembly 1, the shaped plate 30 closest to the observer has been omitted. Once again for requirements of greater clarity, in Figure 5, some components of the assembly 1 - and specifically a capsule-holder, an ejector member and a contrast element - are represented isolated from other components, at a larger scale. It is moreover pointed out that the general structure of the delivery assembly 1 exemplified to a large extent corresponds to the assembly described in the document No. WO 2011/015978 A1: consequently, in the sequel of the present description, only the elements useful for an understanding of the invention will be described.

[0015] With particular reference to Figures 3 and 4, designated as a whole by 40 is an injector device, hereinafter defined for simplicity as "injector", for introduction of hot water and/or steam under pressure into a capsule. The injector 40 may be of any known type, and for this reason it will not be described in detail. In the example illustrated, the injector 40 has a main body mounted in a position stationary with respect to the structure 2, according to an operating axis A, and includes a corresponding perforating device, designated by 40a, which is also of any conception known in the field. As is customary, the injector 40 is connected to a heating device, not illustrated, such as a boiler, for heating water and/or generating steam.

[0016] The assembly 30 then comprises a capsule-holder 50, mounted movable in the support structure 2. In the embodiment illustrated, and as may be clearly seen in Figure 5, the capsule-holder 50 has a body with a general cup-like formation, which defines a chamber or housing 51 for at least partially receiving a capsule 10.

[0017] The body of the capsule-holder 50, on its sides facing the plates 30, has two first appendages or pins 52 facing on opposite sides, said pins being aligned with one another horizontally. The pins 52 extend through respective guide slits 32, defined in the plates 30 and having a direction substantially parallel to the axis A, here generally horizontal. The body of the capsule-holder 50 is provided with two second appendages or pins 53, in a higher position than the pins 52, which also project transversely on opposite sides of the body of the capsule-holder. The pins 53, which are generally parallel to the pins 52, are designed to co-operate with two adjacent portions 33a and 33b of two guide slits 33, provided in facing positions in the plates 30. The portions 33a of the slits 33 extend as arcs of a circle and radius with the portions 33b, which are instead linear and basically parallel to the slits 32. Furthermore, in the preferred embodiment illustrated, the body of the capsule-holder 50 further comprises a third pair of projecting appendages or pins 54, like the pins 52 and 53, designed to co-operate with two adjacent portions 34a and 34b, of two further guide slits 34 provided in facing positions in the plates 30. Also the portions 34a of the slits 34 extend substantially as arcs of a circle and are radiused with the portions 34b, which are linear and substantially parallel to the slits 10 and to the linear stretches 33a of the slits 33.

[0018] In the example illustrated, and with particular reference to Figure 3, the assembly 1 is manually operated and basically comprises a shaft 3 that extends between the plates 30 and is rotatable about an axis B, orthogonal to the plates themselves and generally horizontal. Laterally connected to at least one of the ends of the shaft 3 is a handle for actuation, designated by 4 only in Figure 3. The handle 4 is represented in two respective end-of-travel positions, and in particular is represented with a dashed line in an inoperative position (which corresponds to a loading position of the capsule-holder 50), whereas it is represented with a solid line in an operative position (which corresponds to a working position or an injection position of the capsule-holder 50). The handle 4 is hence angularly movable about the axis B, as indicated by the arrow X in Figure 3.

[0019] Further elements of the mechanism of actuation of the capsule-holder 50, namely the components designed to transmit the motion of the handle 4 to the capsule-holder 50, to displace it between a position distanced from the injector 40 (loading position) to a position approached to the injector 40 (working or injection position), are not illustrated in detail in the figures. As has been said, the assembly 1 may comprise components technically equivalent to the ones described in WO 2011/015978 A1, and for this reason the reader is referred to the aforesaid document for a possible embodiment of the actuation mechanism. For such a case, transverse arms may anyway be fixed to the ends of the shaft 3, there being rotatably connected to the distal ends of the arms respective rollers (an arm and a corresponding roller are designated by 5 and 6, respectively, only in Figure 8), where said rollers are able to extend within respective slide guides, for example in the form of grooves, defined in two opposite lateral surfaces of the body of the capsule-holder (such a guide is designated by 7 only in Figure 8).

[0020] With particular reference to Figure 5, the body of the capsule-holder 50 has an axial passage 55, in which an ejector member (for simplicity referred to hereinafter as "ejector"), designated as a whole by 70, slides, said ejector having a longitudinally extended body. The ejector 70 has a head end 70a, which in the example represented includes a generally widened portion that may be received in a corresponding seat 56 on the bottom of the housing 51, said seat being defined by a front widened portion of the passage 55. Conveniently, operative between the head end 70a and a surface of the seat 56 is a sealing element 71, such as an annular gasket, designed to prevent any leakage of liquid from the housing 51 towards the inside of the passage 55 in which the ejector 70 slides.

[0021] In the example illustrated, the ejector 70 has an element 72 for preventing it from sliding out, set in an intermediate area thereof outside the passage 55, such as a pin, which functions also as arrest for the first end of an elastic element, in particular a spiral spring 73 mounted coaxially on the ejector 70, the opposite end of which bears upon the body of the capsule-holder 50. For this reason, in the example, the passage 55 has a further widened portion 57, opposite to the seat 56, that defines an arrest surface for the spring 73. The spring 73 operates to urge the ejector 70 towards a withdrawn position of the head 70a within the housing 51, where the head itself does not interfere with insertion of a capsule 10 into the housing 51.

[0022] On the side opposite to the head end 70a, the ejector 70 has a rear end 70b, which includes a portion designed to cooperate with a reaction element, designated as a whole by 80, for the purposes that will be clarified hereinafter. According to a preferential aspect of the invention, and unlike the prior art referred to previously, the reaction element 80 is an element that is stationary, in particular defined in, or associated in a fixed way to, the support structure 2 of the assembly 1. In one embodiment, the reaction element 80 has a body made of a synthetic material, for example nylon or teflon, to facilitate sliding of the rear end 70b of the ejector thereon.

[0023] According to the main characteristic of the invention, the ejector comprises a plurality of parts connected in an articulated way, amongst which at least one first part and one second part, where the first part preferentially includes the head end of the ejector and the second part preferentially includes the rear end of the ejector. The two aforesaid parts are articulated to one another, either directly or with interposition of a number of articulations, in such a way that the second part is able to assume a plurality of angular positions with respect to the first part and to the contrast element during displacement of the capsule-holder between the corresponding loading and working positions.

[0024] In the embodiment exemplified, the ejector 70 includes just two parts, designated by 74 and 75, which belong to the head end 70a and the rear end 70b, respectively. The two parts 74 and 75, here defined for simplicity as "front" and "rear", are connected to one another by means of a joint or articulation, designated as a whole by 76. The intermediate articulation 76 may be of any conception, in any case such that the rear part 75 of the ejector 70 is able to displace angularly with respect to the front part 74, and hence also with respect to the reaction element 80. In the example illustrated, for this purpose, the articulation 76 includes a pin - designated by 76a in Figure 5 - for hinging the part 75 to the part 74, with the former that is thus able to assume a plurality of possible angular positions with respect to the latter, which is, instead, constrained to the linear movement in the passage 55 of the capsule-holder and that bears the spring 73 with the corresponding arrest 72. The pin 76a is preferably, but not necessarily, parallel to the pins 52-54 of the capsule-holder 50.

[0025] Preferentially, associated to the articulation 76 is an elastic element, not visible in the figures, such as for example a torsion spring, which forces the rear part 75 towards a predefined, or stable, angular position with respect to the front part 74. In the example, in the aforesaid predefined position, the two parts 74 and 75 are generally aligned in a longitudinal direction, i.e., forming between them an angle of 180° or close to 180°. On the other hand, the two parts 74 and 75 do not necessarily have to be coaxial, the respective axes possibly also being parallel to one another. Moreover, in the aforesaid predefined, or stable, position, the two parts 74 and 75 could even form between them an angle of other than 180°.

[0026] The predefined position can be determined with modalities in themselves known, for example by bestowing a suitable conformation of the end of the parts 74 and 75 in a position corresponding to the articulation 76, in particular defining there respective arrest surfaces, as exemplified in 76b and 76c in Figure 5.

[0027] Once again with reference to the example illustrated, the reaction element 80 generally faces the ejector 70, in a position behind the capsule-holder 50, and defines a sliding surface for the corresponding rear end 70b, which preferentially has a partially rounded profile (it should be noted that, in Figure 5, the reaction element 80 has been deliberately represented in a position at a distance from the end 70b, even though the ejector 70 is represented on the capsule-holder 50 in a position corresponding to that of Figure 10).

[0028] In a preferred embodiment, such as the one illustrated, the surface defined by the reaction element 80 includes a first stretch 81 and a second stretch 82, at different heights, with which the rear end 70b of the ejector co-operates in different phases of passage of the capsule-holder 50 between the loading and working positions, as will emerge clearly hereinafter.

[0029] The stretches 81 and 82, the front surfaces of which are preferably but not necessarily parallel, extend at different distances from the injector 40, in particular with the upper stretch 81 that is closer to the injector 40 with respect to the lower stretch. Preferentially, but not necessarily, at least the upper stretch is substantially plane, and even more preferably both of the stretches are substantially plane, as in the example represented. Once again with reference to the example of embodiment illustrated, between the two stretches 81 and 82 there extends a transition or connecting stretch 83, which has a generally

inclined or curved configuration. The configuration illustrated is advantageous for the purpose of facilitating movement of the part 75 of the ejector as described hereinafter, but is not mandatory in so far as different profiles and orientations for the sliding surface are possible, parameterized for obtaining the functions described hereinafter. For example, the sliding surface of the element 80 could include a single vertical or substantially vertical stretch, or else a single inclined or curved stretch, or again a plane upper stretch, like the stretch 81, and a single inclined or curved lower stretch, which replaces the stretches 82 and 83 represented here.

[0030] Operation of the assembly 1 will now be described with reference to Figures 4 and 6-10.

[0031] We shall assume that initially the assembly 1 is in the condition illustrated in Figure 4. In this condition, the capsule-holder 50 is set in the respective loading position, identified by the axis C, where it is at a distance from the injector 40 and is designed to receive in its housing a capsule 10 (in Figure 4 the capsule 10 is already inserted in the housing 51 of Figure 5). In this condition, the pins 52 of the capsule-holder 50 are located substantially at the rear ends of the respective guide slits 32 (on the right, as viewed in the figure). The pins 53 are located substantially at the rear ends (on the right, as viewed in the figure) of the arched portions 33a of the slits 33; the same applies for the pins 34, which are located at the upper end (on the right, as viewed in the figure) of the respective arched portions 54a of the slits 54. In this condition, the ejector 70 as a whole is urged by the corresponding spring 73 into the respective withdrawn position, where its head end 70a does not interfere with introduction of the capsule 10 into the corresponding housing of the capsule-holder 50.

[0032] The rear part 75 of the ejector 70 is in a first angular position with respect to the front part 74, with the end 70b that rests on the lower stretch (82, Figure 5) of the reaction element 80, urged therein by the elastic reaction of the spring associated to the articulation 76. The lower angle formed between the parts 74 and 75 is less than 180°.

[0033] Starting from the loading position of Figures 3-4, via the handle 4 of Figure 3, a rotation is imparted on the shaft 3 (in a counterclockwise direction, as viewed in the figure) about the corresponding axis B, with the capsule-holder 50 that starts to change its own position. In practice, the capsule-holder 50 starts to turn - here in a counterclockwise direction - about the axis identified by the pins 52, with the pins 53 and 54 that start to traverse the arched portions 33a and 34a, respectively, of the slits 33 and 34. Figure 6 illustrates a first intermediate position of the pins 53 and 54 within the arched stretches 33a and 34a. This corresponds to a reduction of the angle formed between the axes A and C. Figure 7 illustrates a further position assumed by the capsule-holder 50 during rotation of the shaft 3, with the pins 53 and 54 still engaged in the arched portions 33a and 34a of the slits 33 and 34 and with a further reduction of the angle between the axes A and C.

[0034] As may be appreciated also from Figures 4, 6 and 7, during angular motion of the capsule-holder 50 the rear part 75 of the ejector 70 is free to vary its own angular position with respect to the front part 74 and with respect to the reaction element 80. The end 70b of the ejector is in any case always resting on the front sliding surface of the reaction element 80, and in particular is still resting on its lower stretch (82, Figure 5), countering the elastic reaction of the spring associated to the articulation 76.

[0035] Figure 8 illustrates the condition in which the pins 53 and 54 have reached the area of connection or transition between the arched portions 33a, 34a and the adjacent linear portions 33b, 34b, respectively, of the slits 33 and 34. In this condition, the axes A and C substantially coincide, and the capsule-holder 50 is still in an intermediate position at a distance from the injector 40. The rear end 70b of the ejector 70 is still resting on the front surface of the contrast element 80, at a greater height as compared to the conditions represented in Figures 6 and 7, once again forced in this condition by the spring associated to the articulation 76.

[0036] As the movement of the shaft 3 proceeds, the internal kinematic mechanism of the assembly 1 (via the arms 5, the rollers 6, and the corresponding guides 7 of Figure 8) brings about linear translation or advance of the capsule-holder 50 in the direction of the injector 40, said translation now being guided by sliding of the pins 52 in the slits 32 and of the pins 53 and 54 in the linear portions 33b and 34b of the slits 33 and 34, respectively. Visible in Figure 9 is the working position of the capsule-holder 50, i.e., its approached or coupled position to the injector 40. During translation of the capsule-holder 50 towards the position of Figure 9, the ejector 70 - the front part 74 of which is now set substantially horizontal and according to the axes A and C - is always held by the spring 73 in its withdrawn position, but progressively moves away from the reaction element 80. The rear end 70b of the ejector 70 rises up the front surface of the element 80, kept in contact thereto by virtue of the action that the spring of the articulation 76 exerts on the part 75, also traversing the connecting stretch 83. At a certain point, after the spring 73 has reached its condition of maximum expansion, the rear end 70b of the ejector 70 no longer interferes with the surface of the element 80, and the spring of the articulation 76 causes passage of the rear part 75 into the aforesaid predefined angular position with respect to the front part 74, as may be seen in Figure 9.

[0037] In the example illustrated, the injector 40 and the capsule-holder 50 are both provided with corresponding perforating

devices, designated by 40a and 50a, in Figure 4 and Figure 5, respectively, but this characteristic is not indispensable, the invention being usable in assemblies designed for use of pre-perforated capsules or cartridges made with filter paper. In any case, when the assembly 1 is in the condition illustrated in Figure 9, a command is issued for injection into the capsule 10 of hot water and/or steam under pressure, and outflow of the liquid product from the capsule itself and from the capsule-holder 50 is obtained, all according to modalities in themselves known. The user can then bring the assembly 1 back into the initial condition of Figure 4, i.e., bring the handle 4 of Figure 3 from the position indicated with a solid line to the position indicated with a dashed line, thus causing reverse rotation of the shaft 3.

[0038] The capsule-holder 50 then recedes with respect to the position of Figure 9, guided in this by the pins 52, 53 and 54, engaged in the slits 32 and in the linear portions 33b and 34b of the slits 33 and 34, respectively, and with the spring associated to the articulation 76 that keeps the rear part 75 of the ejector 70 in its predefined angular position with respect to the front part 74, the aforesaid pins being here substantially aligned in a horizontal direction. At a certain point of this translation in recession, the rear end 70b of the ejector 70 sticks against the front surface of the reaction element, and specifically in its upper stretch 81. The ejector 70 thus stops, while the capsule-holder 50 continues to recede, thereby also causing progressive compression of the spring 73. The head end 70a of the ejector moves progressively towards its advanced position with respect to the bottom of the housing 51 of the capsule-holder, thereby interfering with the bottom of the capsule 10, until it causes ejection thereof from the housing itself and consequent dropping thereof by gravity towards a bottom discharge passage of the assembly 1 (not indicated).

[0039] Figure 10 illustrates the condition of maximum advance of the head end 70a of the ejector 70 with respect to the bottom of the housing 51, as well as of maximum compression of the spring 73, which is obtained when the pins 52, 53 and 54 have reached the rear end of the slits 32 and the areas of transition between the portions 33b, 34b and 33a, 34a of the slits 33 and 34, respectively.

[0040] The further reverse rotation of the shaft 3 then results in the pins 53 and 54 starting to traverse the arched portions 33a and 34a of the slits 33 and 34, thereby causing relative angular motion of the capsule-holder 50 and of the associated ejector 70. With the start of this reverse angular motion of the capsule-holder 50, then, the rear end 70b of the ejector 70 starts to turn and slide down the surface of the reaction element 80, and specifically over its stretch 81, and then reaches the connecting stretch 83. In said step, the ejector 70 is forced to recede as a whole by the elastic reaction of the spring 73, while the rear end 70b is kept in contact with the surface of the element 80 by the action of the spring associated to the articulation 76. Once the connecting stretch 83 is reached and as the reverse angular motion of the capsule-holder 50 proceeds, the rear part 75 of the ejector 70 is brought to move angularly, with respect to the front part 74, about the axis identified by the pin of the articulation 76a of Figure 5, also in this case with a reverse motion (here clockwise) with respect to what occurred previously during passage of the capsule-holder from the loading position to the working position. In practice, then, the ejector 70 once again assumes a "bent" configuration, i.e., a configuration in which its parts 74 and 75 form between them a bottom angle that is less than 180°. The reverse angular motion of the part 75 comes about of course countering the elastic reaction of the spring proper to the articulation 76. Consequently, in practice, the capsule-holder 50 and the ejector 70 then behave in a way similar to the sequence shown in Figures 7, 6 and 4 (obviously, the capsule will no longer be present in the capsule-holder). At the end of the reverse angular motion of the shaft 3, the condition represented in Figure 4 is hence again reached, where the capsule-holder 50 is once again in its loading position, ready to receive a new capsule 10.

[0041] From the foregoing description it will be appreciated that, in the assembly 1 illustrated previously, there is no longer the need to provide an oscillating reaction member. Thanks to this characteristic, the overall dimensions of the assembly 1, in particular its longitudinal dimension, can be reduced. In the practical embodiment, as in the embodiment exemplified, the functions of the reaction member of the known art can be provided by a stationary component of very contained dimensions, which can be associated to the support structure of the assembly. Very advantageously, such a reaction element can also be obtained directly from a corresponding portion of the stationary structure of the assembly, for example an end wall thereof. The ejector of the assembly according to the invention assumes in itself limited overall dimensions when the capsule-holder is in its distanced position from the injector, by virtue of its intermediate articulation and thanks to the consequent possibility of "bending".

[0042] The invention has been described previously with reference to an assembly provided with guide means 52-54 and 32-34 designed to enable roto-translational displacements of the capsule-holder, between a generally raised loading position and a generally lowered working position, where the above guide means can hence enable the capsule-holder both to oscillate about a substantially horizontal axis and to translate in a direction perpendicular to the aforesaid axis. The invention may in any case also be used in delivery assemblies in which the capsule-holder is only constrained to perform linear motion. Such an example of embodiment is illustrated schematically in Figures 11 and 12, where the same reference numbers as those employed in the previous figures are used to designate elements that are technically equivalent to the ones already described.

[0043] Figures 11-12 moreover bring out how, in a possible embodiment, an ejector 70 may comprise two intermediate articulations 76 and 76', for example of the type described previously. In this way, the ejector itself includes the front part 74, the rear part 75, and an intermediate part 75' for connecting in an articulated way the former two parts, together with the two aforesaid articulations 76 and 76'. Also in this embodiment, associated to at least one articulation, and preferably to both of them, is a corresponding spring or other elastic element, and in particular a spring for forcing the intermediate part 75' towards a predefined relative angular position with respect to the front part 74, and a spring for forcing the rear part 75 towards a predefined relative angular position with respect to the intermediate part 75'.

[0044] With reference to Figures 11-12, the assembly 1 has a structure or casing 2 with a generally horizontal axis, provided with an upper opening IN for introduction of the capsules from which to obtain the liquid product 10 and a lower opening OUT for unloading the exhausted capsules. The assembly 1 is here described limitedly to the elements useful for an understanding of the embodiments considered, taking for granted that it includes all the other elements normally known for its operation. In this perspective, for example, the assembly 1 can include a retention arrangement, for keeping a capsule 10 - inserted by the upper opening IN - temporarily in a position substantially coaxial and intermediate with respect to the injector 40 and the capsule-holder 50, as represented schematically in Figure 11. Such a retention arrangement - not illustrated - may include, for example, two diverging jaw elements, subject to the reaction of a spring (see, merely by way of reference, WO 2006/005736). In the example, the injector 40 is preferably substantially stationary (apart from a front cap thereof, which can recede slightly) and the capsule-holder 50 is movable only linearly, with a corresponding axial passage in which the ejector 70 slides, countered by the spring 73 that co-operates with the arrest 72. The linear movement of the capsule-holder 50 in advance and recession with respect to the injector 40, along the axis A, is obtained by means of a kinematic arrangement 90, of any type known in the field, for example a toggle mechanism or a crank mechanism. In this case, the assembly also includes guides that constrain the capsule-holder 50 to the linear motion between the position distanced from the injector 40 and the position approached to the injector 40, which include, for example, side guides of the casing 2 (not represented), in which respective lateral parts of the body of the capsule-holder 50 are engaged.

[0045] Also in this solution there is envisaged the reaction element 80, which defines the sliding surface for the rear end of the ejector, which also in this case preferentially has a profile that is at least partially rounded. Preferably, the aforesaid sliding surface is generally arched, even more preferably, is shaped like the arc of a circle, as illustrated.

[0046] Figure 11 illustrates the condition of maximum recession of the capsule-holder 50, where the intermediate part 75' of the ejector 70 is in a respective first angular position with respect to the front part 74 (countering the reaction of the spring of the corresponding articulation 76') and the rear part 74 is in a respective first angular position with respect to the intermediate part 75' (countering the reaction of the spring of the corresponding articulation 76). In this condition, a capsule 10 can be inserted into the assembly 1 through the upper inlet IN and temporarily withheld in the position illustrated, as mentioned above.

[0047] When the mechanism 80 is operated, for example manually, the capsule-holder 50 starts to displace towards the injector 40, thereby causing progressive slackening of the spring 73 and - thanks to the presence of the springs of the articulations 76, 76' - progressive angular motion (here in a counterclockwise direction) of the intermediate part 75' and rear part 75 towards the respective preset positions, as described previously with reference to the part 75 of the first embodiment. Also in this case, then, the rear end of the ejector 70, corresponding to the part 75, slides on the surface of the reaction element 80, which substantially provides a cam surface.

[0048] During advance, the capsule-holder 50 picks up the capsule 10 and pushes it towards the injector 40. Figure 12 illustrates the condition of maximum advance of the capsule-holder 50, where, as may be noted, the ejector 70 has assumed a generally rectilinear configuration, i.e., with its parts 74, 75' and 75 substantially coaxial.

[0049] The front end of the ejector 70 is now more advanced (towards the injector 40) with respect to the position of Figure 11: however, thanks to the movement of advance of the capsule-holder 50, said front end is located in any case in a position such as not to interfere with the bottom of the capsule 10 housed in the capsule-holder.

[0050] After infusion and delivery of the liquid product, which occurs according to known modalities, the kinematic arrangement 80 is operated in the reverse direction opposite to the previous one so as to bring about recession of the capsule-holder 50 towards its original position. With this movement, the body of the capsule-holder 50 pushes the ejector 70 back up to its stop 72. The cam surface defined by the reaction element 80, as well as the shape and size of the rear end of the part 75 are parameterized in such a way that the force generated by the recession determines a torque or momentum such as to cause angular motion (here clockwise) of the part 75 with respect to the intermediate part 75', with the rear end of the part 75 that then starts to slide on the aforesaid cam surface. As recession of the capsule-holder 50 and of the ejector 70 proceeds, the angular motion of the rear part 75 also proceeds and, at a certain point, also the intermediate part 75' starts to move angularly (in a

counterclockwise direction) with respect to the front part 74, until the position visible in Figure 11 is reached. During recession, the front end of the ejector 70 assumes an advanced position with respect to the bottom of the chamber defined in the capsule-holder 50, and hence with respect to the bottom of the capsule 10. In this way, the front end of the ejector 70 pushes the capsule progressively towards the outside of the aforesaid chamber until it is completely ejected and consequently drops by gravity towards the outlet OUT, with return of the assembly 1 into its starting condition, ready to load a new capsule 10.

[0051] In another possible variant embodiment (not represented), the assembly may be devised so that the loading position and the working position of the capsule-holder are both oriented in a generally vertical direction, as in the case of EP 1854384 A1. In such an embodiment, the articulation (or each articulation) provided by the ejector could exploit the mass of the rear part of the ejector to force the latter to assume the predefined relative position with respect to its front part, without any need for a corresponding spring.

[0052] Of course, use of an ejector consisting of at least three parts is also possible in the case of assemblies with rotational movement, as in the first embodiment described.

[0053] Obviously, the assembly according to the invention does not necessarily have to be manually operated given that it may comprise, for example, a pneumatically operated or electrically operated actuation system, for example a motor with associated motor reducer.

REFERENCES CITED IN THE DESCRIPTION

This list of references cited by the applicant is for the reader's convenience only. It does not form part of the European patent document. Even though great care has been taken in compiling the references, errors or omissions cannot be excluded and the EPO disclaims all liability in this regard.

Patent documents cited in the description

- [EP1854384A1 \[0002\] \[0051\]](#)
- [WO2011015978A1 \[0004\] \[0014\] \[0019\]](#)
- [WO2006005736A \[0044\]](#)

Patentkrav

1. Leveringsenhed til en maskine til fremstilling af flydende produkter under anvendelse af kapsler (10), hvor leveringsenheden (1) omfatter:

- 5 - en bærekonstruktion (2), der bærer en indsprøjtningsindretning (40) til indføring af en fluid, så som vand og/eller damp under tryk, i kapslen (10);
- en kapselholder (50), der er monteret bevægeligt i bærekonstruktionen (2);
- føringsmidler (52-54, 32-34), der er udformet til at gøre det muligt for kapselholderen (50) at forskydes mellem en position med afstand til indsprøjtningsindretningen (40), for at gøre det muligt at placere en kapsel (10) i enheden (1), og en position nærmere indsprøjtningsindretningen (40), for at gøre det muligt at indsprøjte fluiden i kapslen (10), der er placeret i kapselholderen (50);
- 10 - en aktiveringsmekanisme (3-7; 80), der kan drives til at bevirke forskydninger af kapselholderen (50) mellem afstandspositionen og den nære position;
- et ejektorelement (70), der strækker sig i længderetningen, er monteret bevægeligt på kapselholderen (50) og indrettet til at udstøde kapslen (10) ud af kapselholderen (50) under forskydning af kapselholderen (50) fra den nære position til afstandspositionen, hvor ejektorelementet (70) har en hovedende (70a), der er i stand til at indtage en tilbagetrukket position og en fremskudt position i forhold til en bund af kapselholderen (50), og en bagende (70b), der er i stand til at samvirke med et reaktionselement (80),
- 15
- 20

kendetegnet ved, at ejektorelementet (70) omfatter en flerhed af dele (74, 75; 74, 75, 75'), der er forbundet på en hængslet måde, heriblandt mindst én første del (74), som omfatter hovedenden (70a), og en anden del (75), som omfatter bagenden (70b), hvor den første del (74) og den anden del (75) er hængslet på en sådan måde, at den anden del (75) er i stand til at indtage en flerhed af vinkelpositioner i forhold til den første del (74) og til reaktionselementet (80) under forskydning af kapselholderen (50) mellem afstandspositionen og den nære position.

25

30

2. Leveringsenhed ifølge krav 1, hvor reaktionselementet (80) er et stationært reaktionselement i forhold til kapselholderen (50) og ejektorelementet (70), hvor især reaktionselementet (80) er forbundet til eller defineret af bærekonstruktionen (2).

35

5 **3.** Leveringsenhed ifølge krav 1 eller krav 2, hvor flerheden af vinkelpositioner omfatter mindst én driftsposition og en hvileposition, som indtages af den anden del (75) af ejektorelementet (70) i henholdsvis et første trin og et andet trin af forskydningen af kapselholderen (50) fra den nære position til afstandspositionen, hvor bagenden (70b) i driftspositionen er i stand til at samvirke med reaktionselementet (80) for at forhindre en relativ forskydningen mellem ejektorelementet (70) og kapselholderen (50), og i hvilepositionen er bagenden (70b) i stand til at samvirke med reaktionselementet (80) for at muliggøre en relativ forskydning mellem ejektorelementet (70) og kapselholderen (50).

15 **4.** Leveringsenhed ifølge krav 1 eller krav 2, hvor ejektorelementet (70) har mindst ét hængsel (76; 75, 76'), som er mellem den første del (74) og den anden del (75) og omfatter blokeringsmidler (76b, 76c) til definering af en forudbestemt eller stabil vinkelposition mellem den første del (74) og den anden del (75).

20 **5.** Leveringsenhed ifølge krav 4, hvor ejektorelementet (70) har midler til at presse den anden del (75) til at indtage den forudbestemte vinkelposition i forhold til den første del (74), hvor midlerne omfatter en af et elastisk element, der under drift er forbundet med hængslet (76), og en masse af den anden del (75).

25 **6.** Leveringsenhed ifølge krav 2, hvor reaktionselementet (80) har en overflade, der generelt vender mod en bagside af kapselholderen (50), hvorpå bagenden (70b) af ejektorelementet (70) er i stand til at glide, hvor overfladen fortrinsvis omfatter mindst én generelt buet eller skrå strækning.

30 **7.** Leveringsenhed ifølge krav 6, hvor overfladen omfatter mindst to strækninger (81, 82, 83), der strækker sig med forskellige afstande i forhold til indsprøjtningsindretningen (40), især en første strækning (81), der er tættere på indsprøjtningsindretningen (40), en anden strækning (82), der er længere væk fra indsprøjtningsindretningen (40), og en forbindelsesstrækning (83) mellem den første og anden strækning (81, 82).

35

8. Leveringsenhed ifølge et hvilket som helst af de foregående krav, hvor bagenden (70b) af ejektorelementet (70) har en i det mindste rundet profil.
- 5 9. Leveringsenhed ifølge et hvilket som helst af de foregående krav, hvor mindst den første del (74) af ejektorelementet (70) kan glide i en gennemgående åbning (55) af kapselholderen (50), hvor der mellem kapselholderen (50) og ejektorelementet (70) er driftsklare elastiske midler (73), som presser ejektorelementet (70) til at indtage den tilbagetrukne position.
- 10 10. Leveringsenhed ifølge et hvilket som helst af de foregående krav, hvor føringsmidlerne (52-54, 32-34) og den kinematiske aktiveringsindretning (3-7; 80) er konfigureret på en sådan måde, at:
- med udgangspunkt i afstandspositionen, er en aktivering af den kinematiske indretning (3-7) i stand til at forårsage en svingning af kapselholderen (50) og
 - 15 en efterfølgende forskydning af kapselholderen (50) helt frem til den nære position; eller i modsat fald
 - med udgangspunkt i afstandspositionen, er en aktivering af den kinematiske indretning (80) i stand til at forårsage en lineær forskydning af kapselholderen (50) helt frem til den nære position.
- 20 11. Leveringsenhed ifølge et hvilket som helst af de foregående krav, hvor ejektorelementet (70) omfatter mindst én første del (74), som omfatter hovedenden (70a), og en anden del (75), som omfatter bagenden (70b), og en mellemliggende del (75'), som forbinder den første del (74) med den anden
- 25 del (75) på en hængslet måde, hvor den mellemliggende del (75') er i stand til at indtage en flerhed af vinkelpositioner i forhold til den første del (74), til den anden del (75) og til reaktionselementet (80) under forskydning af kapselholderen (50) mellem afstandspositionen og den nære position.
- 30 12. Maskine til fremstilling af flydende produkter gennem kapsler (10), omfattende en leveringsenhed (1) ifølge et eller flere af kravene 1 til 11.
13. System til fremstilling af flydende produkter, omfattende:
- en maskine (M), som omfatter en leveringsindretning (1) ifølge et eller flere
 - 35 af kravene 1 til 11; og

- en kapsel (10), som indeholder en dosis (12) af mindst én substans, der er i stand til at danne et flydende produkt gennem en fluid, så som vand og/eller damp;
hvor
 - 5 - leveringsenheden (1) har et ejektorelement (70), der strækker sig i i længderetningen og optages glideligt i en gennemgående åbning af en kapselholder (50), hvor kapselholderen (50) kan forskydes i forhold til ejektorelementet (70);
 - ejektorelementet (70) omfatter en flerhed af dele (74, 75; 74, 75, 75'), der er
10 forbundet på en hængslet måde, heriblandt mindst én første del (74) og én anden del (75), som omfatter henholdsvis en frontende (70a) og en bagende (70b) af ejektorelementet (70), hvor den første og anden del (74, 75) er forbundet på en hængslet måde gennem et eller flere mellemliggende hængsler (76; 75', 76, 76') på en sådan måde, at:
 - 15 - under forskydning af kapselholderen (50) fra en afstandsposition til en nær position i forhold til en indsprøjtningssindretning (40) af enheden (1), indtager den første og anden del (74, 75) af ejektorelementet (70) mindst én første relativ vinkelposition for at muliggøre relativ bevægelse mellem ejektorelementet (70) og kapselholderen (50), hvor frontenden (70a) af ejektorelementet (70) følgelig indtager en tilbagetrukket position i forhold til en bund af kapselholderen (50); og
 - 20 - under forskydning af kapselholderen (50) fra den nære position til afstandspositionen, indtager den første og anden del (74, 75) af ejektorelementet (70) mindst én anden relativ vinkelposition for at forhindre relativ bevægelse mellem ejektorelementet (70) og kapselholderen (50), hvor frontenden (70a) af ejektorelementet (70) følgelig indtager en fremtrukket position i forhold til bunden af kapselholderen (50).
- 14.** System til fremstilling af flydende produkter, omfattende de følgende trin:
- 30 - tilvejebringelse af en maskine (M) til fremstilling af flydende produkter, omfattende en leveringsenhed (1) ifølge et eller flere af kravene 1-11;
- tilvejebringelse af en kapsel (10), som indeholder en dosis (12) af mindst én substans, der er i stand til at danne et flydende produkt gennem en fluid, så som vand og/eller damp;
- 35 - anbringelse af kapslen (10) i leveringsenheden (1), når kapselholderen (50) er i en position med afstand til indsprøjtningssindretningen (40);

- drift af en kinematisk aktiveringsindretning (3-7) til forskydning af kapselholderen (40) til en position nærmere til indsprøjtningsindretningen (40);
- med kapselholderen (50) i den nære position, indsprøjtningsindretningen (50) af en fluid, så som vand og/eller damp, ind i kapslen (10) for at fremstille det flydende produkt, og udledning af det flydende produkt fra kapselholderen (50);
- tilbageføring af kapselholderen (50) til afstandspositionen, under overgangen af kapselholderen (50) fra den nære position til afstandspositionen, hvor et ejektorelement (70) bevirker udstødning af kapslen (10) fra kapselholderen (50),
og hvor:
 - under forskydning af kapselholderen (50) fra en afstandsposition til den nære position, indtager mindst én første del og én anden del (74, 75; 74, 75, 75') af ejektorelementet (70) mindst én første relativ vinkelposition for at muliggøre relativ bevægelse mellem ejektorelementet (70) og kapselholderen (50), hvor frontenden (70a) af ejektorelementet (70) følgelig indtager en tilbagetrukket position i forhold til en bund af kapselholderen (50); og
 - under forskydning af kapselholderen (50) fra den nære position til afstandspositionen, indtager den mindst én første del og én anden del (74, 75; 74, 75, 75') af ejektorelementet (70) mindst én anden relativ vinkelposition for at forhindre relativ bevægelse mellem ejektorelementet (70) og kapselholderen (50), hvor frontenden (70a) af ejektorelementet (70) følgelig indtager en fremskudt position i forhold til en bund af kapselholderen (50).

DRAWINGS

FIG. 1

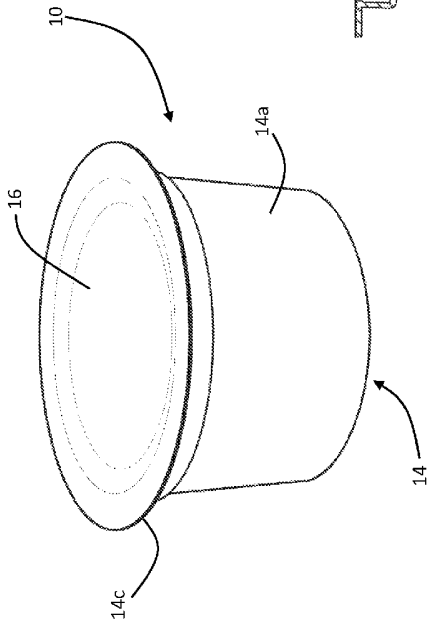


FIG. 2

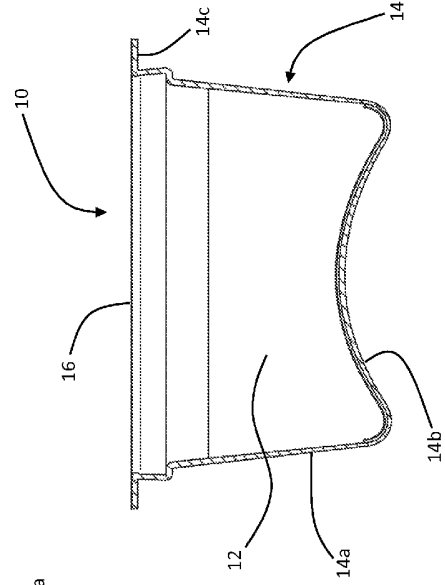
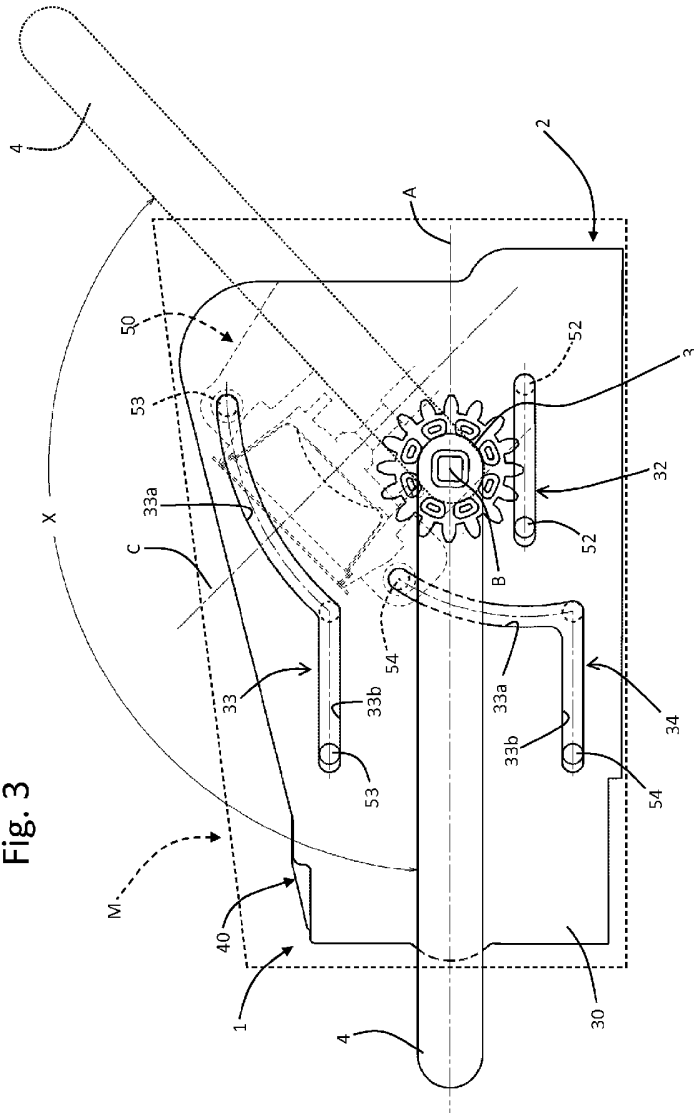


Fig. 3



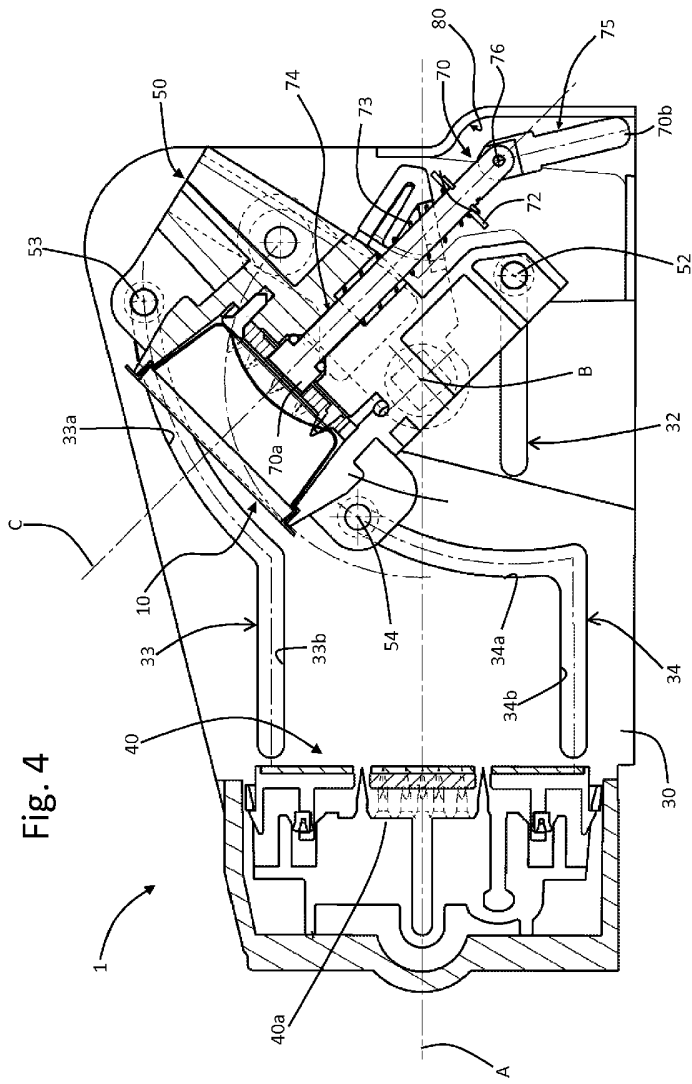
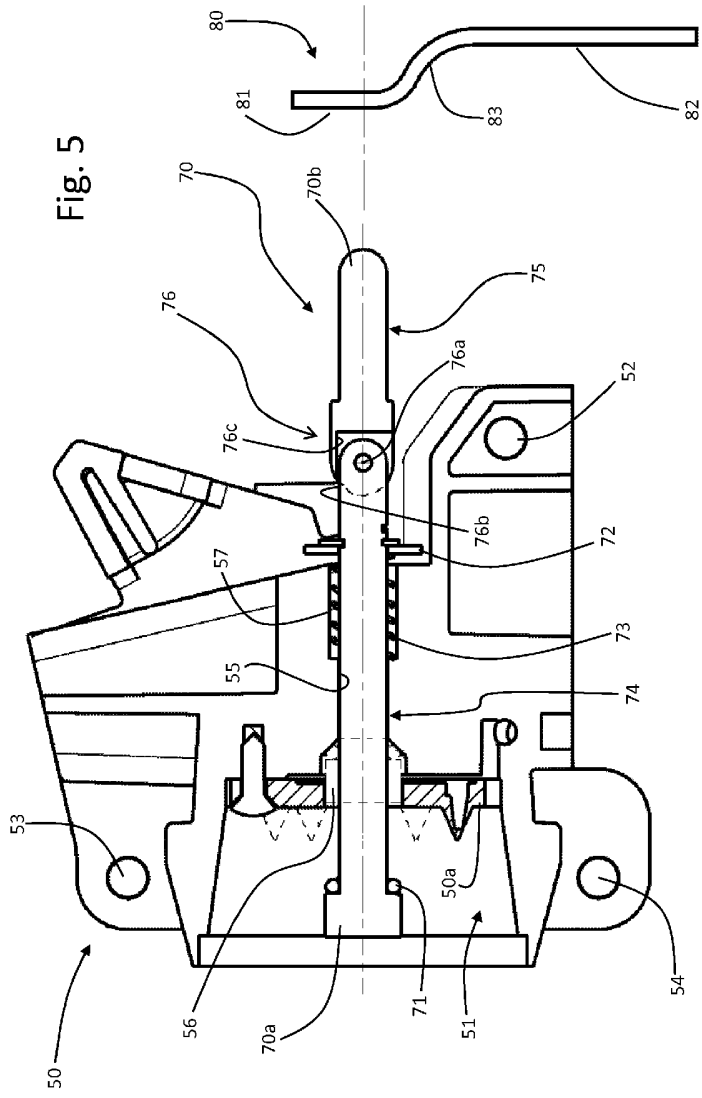


Fig. 4



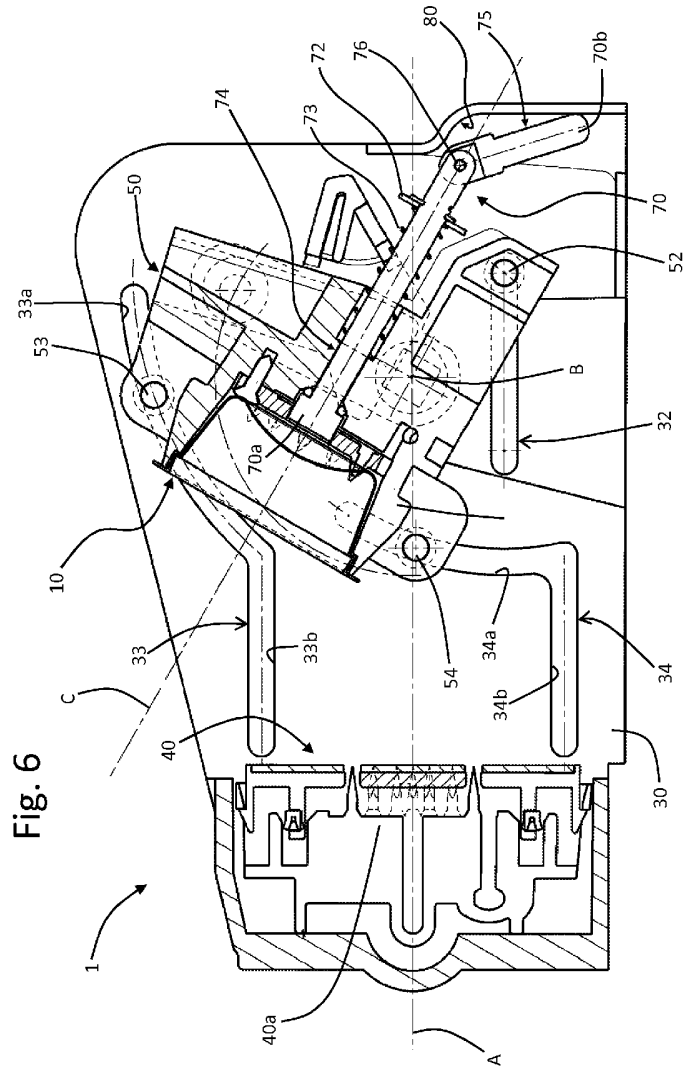


Fig. 7

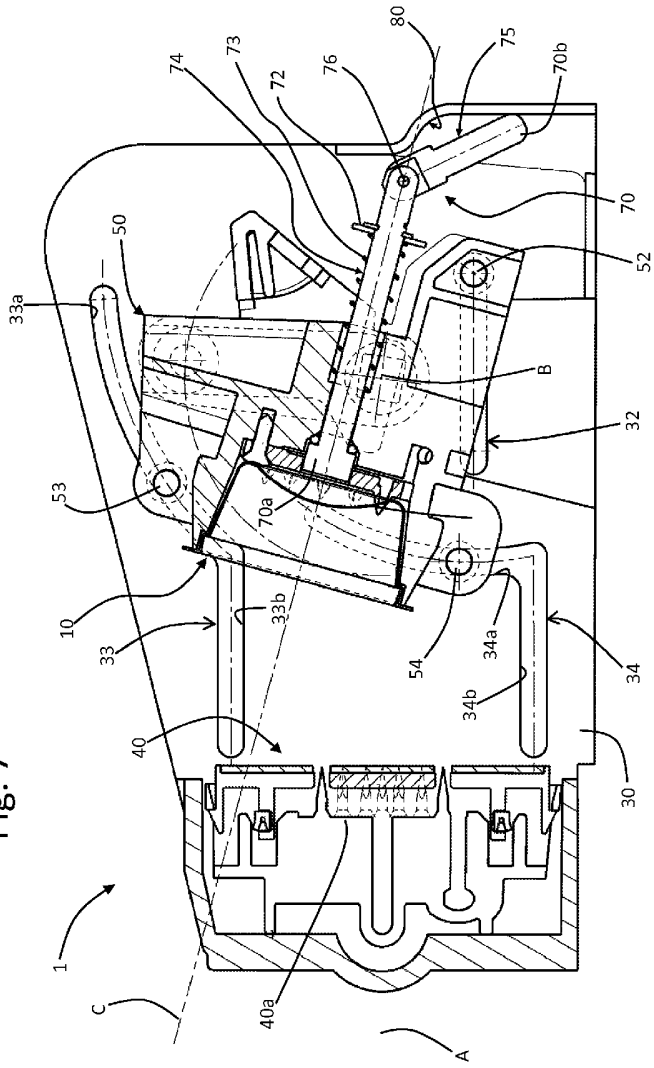
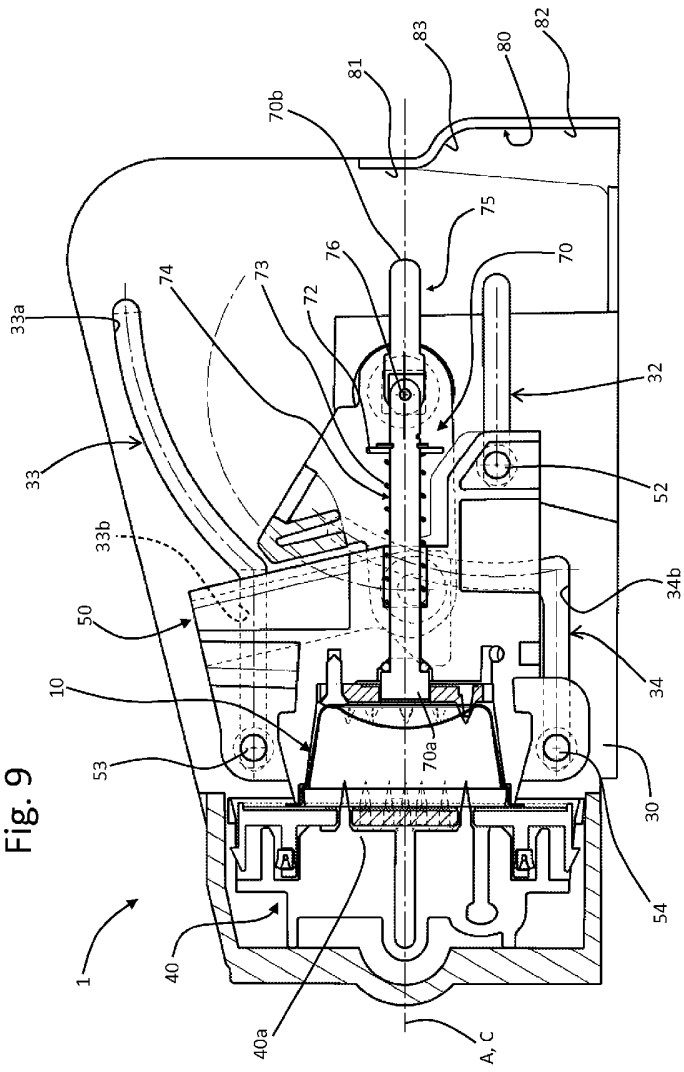


Fig. 9



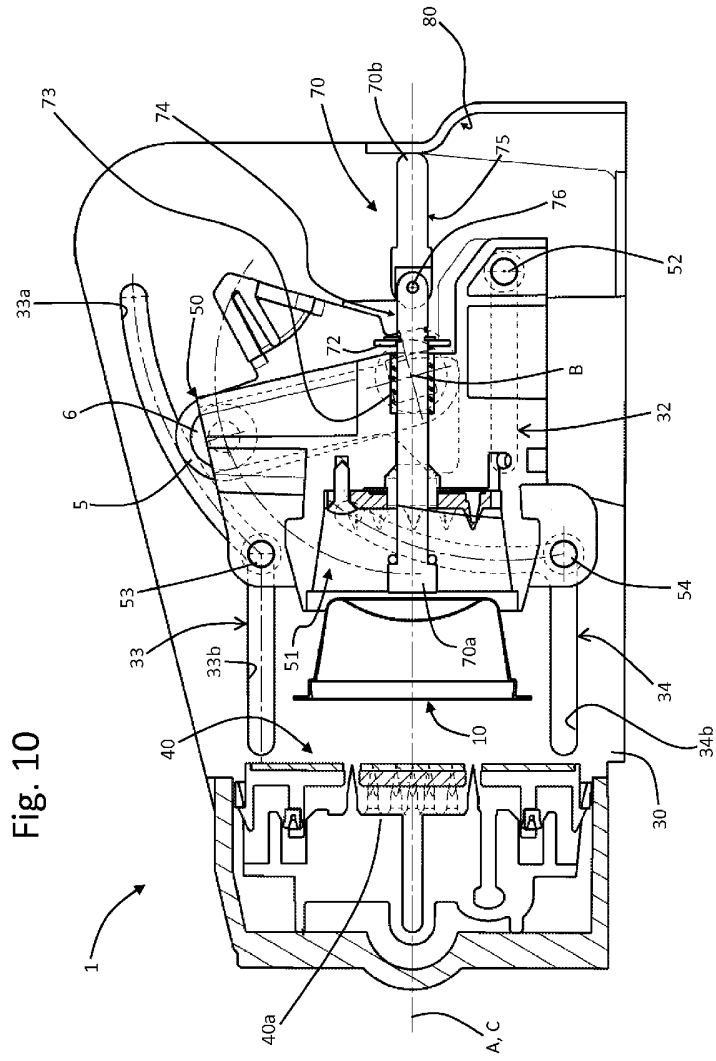


Fig. 11

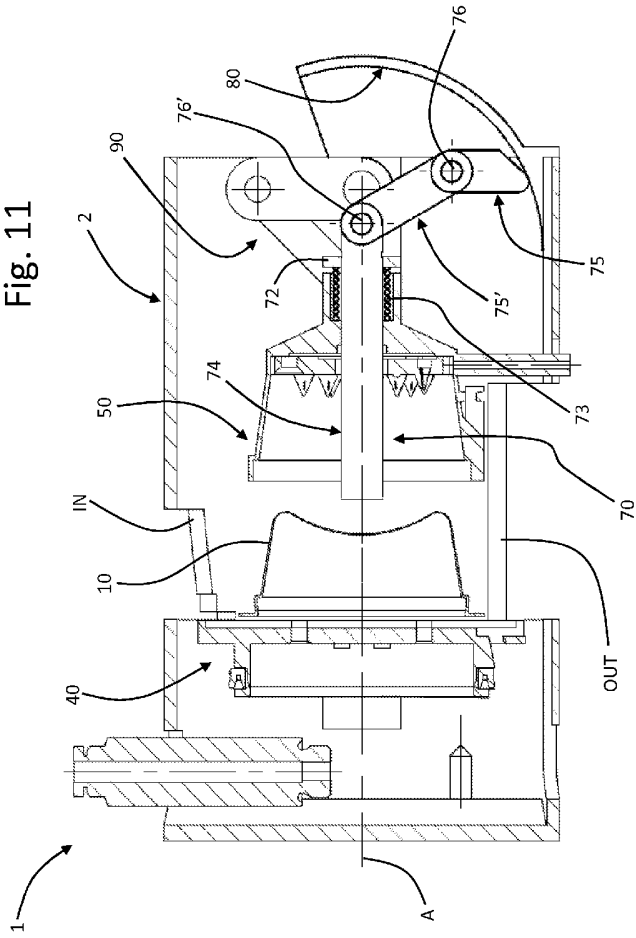


Fig. 12

