

(19) World Intellectual Property Organization  
International Bureau



(43) International Publication Date  
1 June 2006 (01.06.2006)

PCT

(10) International Publication Number  
**WO 2006/058221 A3**

(51) International Patent Classification:  
A61B 17/58 (2006.01)

(21) International Application Number:  
PCT/US2005/042757

(22) International Filing Date:  
23 November 2005 (23.11.2005)

(25) Filing Language: English

(26) Publication Language: English

(30) Priority Data:  
60/631,213 24 November 2004 (24.11.2004) US  
60/713,235 31 August 2005 (31.08.2005) US

(71) Applicant and

(72) Inventor: **ABDOU, M., Samy** [US/US]; 7790 Doug Hill,  
San Diego, CA 92127 (US).

(74) Agents: **HERNANDEZ, Fred, C.** et al.; FISH &  
RICHARDSON P.C., P.o. Box 1022, Minneapolis, MN  
55440-1022 (US).

(81) Designated States (*unless otherwise indicated, for every  
kind of national protection available*): AE, AG, AL, AM,  
AT, AU, AZ, BA, BB, BG, BR, BW, BY, BZ, CA, CH, CN,

CO, CR, CU, CZ, DE, DK, DM, DZ, EC, EE, EG, ES, FI,  
GB, GD, GE, GH, GM, HR, HU, ID, IL, IN, IS, JP, KE,  
KG, KM, KN, KP, KR, KZ, LC, LK, LR, LS, LT, LU, LV,  
LY, MA, MD, MG, MK, MN, MW, MX, MZ, NA, NG, NI,  
NO, NZ, OM, PG, PH, PL, PT, RO, RU, SC, SD, SE, SG,  
SK, SL, SM, SY, TJ, TM, TN, TR, TT, TZ, UA, UG, US,  
UZ, VC, VN, YU, ZA, ZM, ZW.

(84) Designated States (*unless otherwise indicated, for every  
kind of regional protection available*): ARIPO (BW, GH,  
GM, KE, LS, MW, MZ, NA, SD, SL, SZ, TZ, UG, ZM,  
ZW), Eurasian (AM, AZ, BY, KG, KZ, MD, RU, TJ, TM),  
European (AT, BE, BG, CH, CY, CZ, DE, DK, EE, ES, FI,  
FR, GB, GR, HU, IE, IS, IT, LT, LU, LV, MC, NL, PL, PT,  
RO, SE, SI, SK, TR), OAPI (BF, BJ, CF, CG, CI, CM, GA,  
GN, GQ, GW, ML, MR, NE, SN, TD, TG).

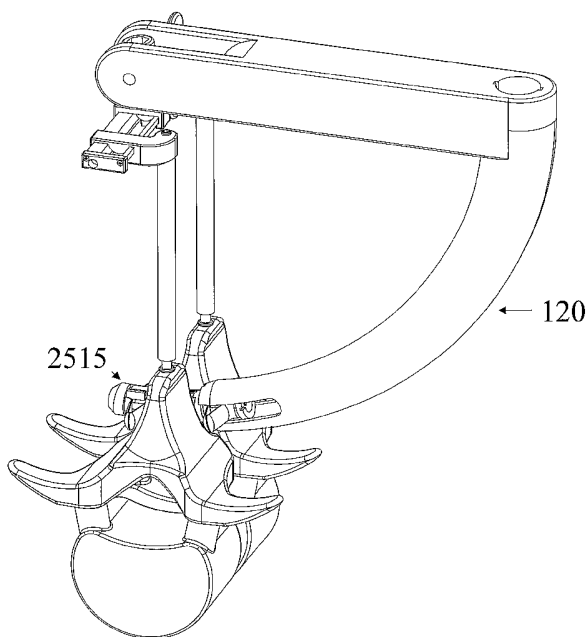
Published:

- with international search report
- before the expiration of the time limit for amending the  
claims and to be republished in the event of receipt of  
amendments

(88) Date of publication of the international search report:  
21 September 2006

*For two-letter codes and other abbreviations, refer to the "Guidance  
Notes on Codes and Abbreviations" appearing at the beginning  
of each regular issue of the PCT Gazette.*

(54) Title: DEVICES AND METHODS FOR INTER-VERTEBRAL ORTHOPEDIC DEVICE PLACEMENT



(57) Abstract: The disclosure relates to devices and methods for implantation of an orthopedic device between skeletal segments using limited surgical dissection. The implanted devices are used to adjust and maintain the spatial relationship(s) of adjacent bones. Depending on the implant design, the motion between the skeletal segments may be increased, limited, modified, or completely immobilized.

WO 2006/058221 A3

**INTERNATIONAL SEARCH REPORT**

International application No.

PCT/US05/42757

**A. CLASSIFICATION OF SUBJECT MATTER**  
 IPC: **A61B 17/60**( 2006.01),**17/88**( 2006.01);**A61F 2/44**( 2006.01),**2/46**( 2006.01)  
  
 USPC: 606/90;623/17.11  
 According to International Patent Classification (IPC) or to both national classification and IPC

**B. FIELDS SEARCHED**

Minimum documentation searched (classification system followed by classification symbols)  
 U.S. : 606/90,99,104; 623/17.11

Documentation searched other than minimum documentation to the extent that such documents are included in the fields searched

Electronic data base consulted during the international search (name of data base and, where practicable, search terms used)

**C. DOCUMENTS CONSIDERED TO BE RELEVANT**

Category *	Citation of document, with indication, where appropriate, of the relevant passages	Relevant to claim No.
X,P	US 2005/0021040 A (BERTAGNOLI) 27 January 2005 (27.01.2005), entire disclosure.	1-25
X	US 6,599,295 A (TORNIER et al) 29 July 2003 (23.07.2003), figures 1-10c.	26-30
X	US 6,159,244 A (SUDDABY) 12 December 2000 (12.12.2000), figures 1-4.	31-32

Further documents are listed in the continuation of Box C.  See patent family annex.

* Special categories of cited documents:	"T"
"A" document defining the general state of the art which is not considered to be of particular relevance	later document published after the international filing date or priority date and not in conflict with the application but cited to understand the principle or theory underlying the invention
"E" earlier application or patent published on or after the international filing date	"X" document of particular relevance; the claimed invention cannot be considered novel or cannot be considered to involve an inventive step when the document is taken alone
"L" document which may throw doubts on priority claim(s) or which is cited to establish the publication date of another citation or other special reason (as specified)	"Y" document of particular relevance; the claimed invention cannot be considered to involve an inventive step when the document is combined with one or more other such documents, such combination being obvious to a person skilled in the art
"O" document referring to an oral disclosure, use, exhibition or other means	"&" document member of the same patent family
"P" document published prior to the international filing date but later than the priority date claimed	

Date of the actual completion of the international search 16 June 2006 (16.06.2006)	Date of mailing of the international search report 21 JUN 2006
Name and mailing address of the ISA/US Mail Stop PCT, Attn: ISA/US Commissioner for Patents P.O. Box 1450 Alexandria, Virginia 22313-1450 Facsimile No. (571) 273-3201	Authorized officer Richard R. Shaffer Telephone No. 571-272-3700