

(19) World Intellectual Property Organization
International Bureau



(43) International Publication Date
28 February 2002 (28.02.2002)

PCT

(10) International Publication Number
WO 02/16855 A3

(51) International Patent Classification⁷: F41A 19/00

Ware, MA 01082 (US). **CONSTANT, Robert, L.**; 12 Crawford Drive, Westfield, MA 01085 (US).

(21) International Application Number: PCT/US01/23507

(74) Agents: **TUCCILLO, Nicholas, J.** et al.; McCormick, Paulding & Huber LLP, CityPlace II, 185 Asylum Street, Hartford, CT 06103 (US).

(22) International Filing Date: 26 July 2001 (26.07.2001)

(25) Filing Language: English

(81) Designated States (*national*): AE, AG, AL, AM, AT, AU, AZ, BA, BB, BG, BR, BY, BZ, CA, CH, CN, CO, CR, CU, CZ, DE, DK, DM, DZ, EC, EE, ES, FI, GB, GD, GE, GH, GM, HR, HU, ID, IL, IN, IS, JP, KE, KG, KP, KR, KZ, LC, LK, LR, LS, LT, LU, LV, MA, MD, MG, MK, MN, MW, MX, MZ, NO, NZ, PL, PT, RO, RU, SD, SE, SG, SI, SK, SL, TJ, TM, TR, TT, TZ, UA, UG, UZ, VN, YU, ZA, ZW.

(26) Publication Language: English

(30) Priority Data:
09/642,269 18 August 2000 (18.08.2000) US

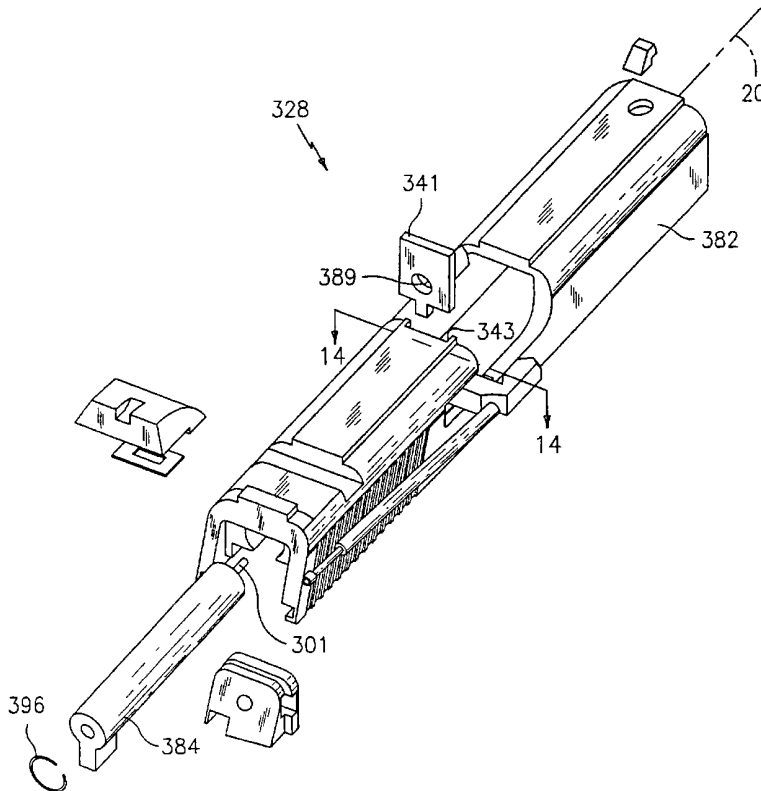
(71) Applicant: **SMITH & WESSON CORP.** [US/US]; 2100 Roosevelt Avenue, Springfield, MA 01102-2208 (US).

(84) Designated States (*regional*): ARIPO patent (GH, GM, KE, LS, MW, MZ, SD, SL, SZ, TZ, UG, ZW), Eurasian patent (AM, AZ, BY, KG, KZ, MD, RU, TJ, TM), European patent (AT, BE, CH, CY, DE, DK, ES, FI, FR, GB, GR, IE, IT, LU, MC, NL, PT, SE, TR), OAPI patent (BF, BJ, CF, CG, CI, CM, GA, GN, GQ, GW, ML, MR, NE, SN, TD, TG).

(72) Inventors: **PETIG, David, J.**; 63 Timber Ridge Road, Ludlow, MA 01056 (US). **KLEBES, John, F.**; 157 Thalia Drive, Feeding Hills, MA 01030 (US). **VAID, Pardip, K.**; 9 Tiffany Lane, Northampton, MA 01062 (US). **LENKARSKI, Lee, M.**; 16 Greenwich Plains Road,

[Continued on next page]

(54) Title: A SLIDE ASSEMBLY FOR A FIREARM



(57) Abstract: A slide assembly (328) capable of repeated reciprocal movement about an upper portion of a firearm having a firing pin assembly (384), including a firing probe tip (301) for selectively contacting a chambered ammunition cartridge. includes a frame having a forward end and an aft end, the frame accommodating a barrel of the firearm along a longitudinal firing axis. An ejector port is formed in the frame and has a breech face (340) against which an end cap of the ammunition cartridge abuts when in a firing position. A longitudinal firing probe bore is formed within the frame and extends from adjacent the aft end of the frame to adjacent the breech face, the firing probe bore also is in concentric alignment with the firing axis. The slide assembly further includes a probe tip bore (389) in concentric alignment with the firing axis and extending between the breech face and the firing probe bore for allowing the firing probe tip access beyond the breech face and into the ejector port. An engagement slot is formed in the firing probe bore for mating engagement with a lower key housing of the firing assembly.



WO 02/16855 A3



Published:

— with international search report

For two-letter codes and other abbreviations, refer to the "Guidance Notes on Codes and Abbreviations" appearing at the beginning of each regular issue of the PCT Gazette.

(88) Date of publication of the international search report:

23 May 2002

INTERNATIONAL SEARCH REPORT

International application No.

PCT/US01/23507

A. CLASSIFICATION OF SUBJECT MATTER

IPC(7) : F41A 19/00
 US CL : 42/84,69.01; 89/28.05

According to International Patent Classification (IPC) or to both national classification and IPC

B. FIELDS SEARCHED

Minimum documentation searched (classification system followed by classification symbols)
 U.S. : 42/84,69.01; 89/28.05

Documentation searched other than minimum documentation to the extent that such documents are included in the fields searched

Electronic data base consulted during the international search (name of data base and, where practicable, search terms used)

C. DOCUMENTS CONSIDERED TO BE RELEVANT

Category *	Citation of document, with indication, where appropriate, of the relevant passages	Relevant to claim No.
X	US 4,825,744 A (GLOCK) 02 May 1989 (02.05.1989), columns 6-8.	1 and 2
---		-----
Y		4, 6, 7, 12-14
Y	US 3,626,621 A (CHIYOKI IDO) 14 December 1971 (14.12.1970), columns 1 and 2.	4, 6, 7, 12-14
A	US 5,755,056 A (DANNER et al.) 26 May 1998 (26.05.1998).	
A	US 5,303,495 A (HARTHCOCK) 19 April 1994 (19.04.1994).	
A	US 5,608,982 A (BOUVARD et al.) 11 March 1997 (11.03.1997).	
A	US 2,898,812 A (MEYER) 11 August 1959 (11.08.1959).	
A	US 4,615,132 A (SMITH) 07 October 1986 (07.10.1986).	
A	US 5,806,225 A (GARDNER et al.) 15 September 1998 (15.09.1998).	

Further documents are listed in the continuation of Box C.

See patent family annex.

* Special categories of cited documents:		
"A" document defining the general state of the art which is not considered to be of particular relevance	"T"	later document published after the international filing date or priority date and not in conflict with the application but cited to understand the principle or theory underlying the invention
"E" earlier application or patent published on or after the international filing date	"X"	document of particular relevance; the claimed invention cannot be considered novel or cannot be considered to involve an inventive step when the document is taken alone
"L" document which may throw doubts on priority claim(s) or which is cited to establish the publication date of another citation or other special reason (as specified)	"Y"	document of particular relevance; the claimed invention cannot be considered to involve an inventive step when the document is combined with one or more other such documents, such combination being obvious to a person skilled in the art
"O" document referring to an oral disclosure, use, exhibition or other means	"&"	document member of the same patent family
"P" document published prior to the international filing date but later than the priority date claimed		

Date of the actual completion of the international search

Date of mailing of the international search report

26 September 2001 (26.09.2001)

26 FEB 2002

Name and mailing address of the ISA/US
 Commissioner of Patents and Trademarks
 Box PCT
 Washington, D.C. 20231

Authorized officer
 Michael Carone

Facsimile No. (703)305-3230

Telephone No. 703.308.1113