



US00D784821S

(12) **United States Design Patent** (10) **Patent No.:** **US D784,821 S**
Kuzma et al. (45) **Date of Patent:** **** Apr. 25, 2017**

(54) **BOTTLE**
(71) Applicant: **GK Packaging, Inc.**, Plain City, OH (US)
(72) Inventors: **Gene J. Kuzma**, Powell, OH (US); **Tristan O. Herstol**, Dublin, OH (US)
(73) Assignee: **GK PACKAGING, INC.**, Plain City, OH (US)

D106,370 S 10/1937 Pancoast
D106,628 S 10/1937 Leach, Jr.
D116,236 S 8/1939 Love
D143,421 S 1/1946 Gasner
D149,618 S 5/1948 D'Addario
D163,063 S 4/1951 Perkins, Jr.
2,586,687 A 2/1952 Mellon
D176,226 S 11/1955 Morris
(Continued)

(**) Term: **15 Years**

(21) Appl. No.: **29/542,250**

(22) Filed: **Oct. 13, 2015**

(51) **LOC (10) Cl.** **09-01**

(52) **U.S. Cl.**
USPC **D9/560**

(58) **Field of Classification Search**
USPC D9/541, 542, 543, 546, 552, 553, 557, D9/558, 559, 560
See application file for complete search history.

(56) **References Cited**

U.S. PATENT DOCUMENTS

D21,382 S 3/1892 Hannold
D25,023 S 12/1895 Rankine
D28,182 S 1/1898 Whitall
D37,819 S 2/1906 Bradley
882,864 A 3/1908 Burke
D52,472 S 9/1918 Corey
D94,189 S 1/1925 Cassedy
D72,957 S 6/1927 Mas
D73,530 S 9/1927 Lyons
D75,448 S 6/1928 Root
D81,422 S 6/1930 Thomas
D97,176 S 10/1935 Chernow
D97,178 S 10/1935 Clevenger
D101,919 S 11/1936 Leach
D104,546 S 5/1937 Topping

OTHER PUBLICATIONS

Plastic Milk Bottles, 10 Plastic Milk Bottles With Colored Lids, posted on etsy.com, earliest product review on Apr. 20, 2016, no production date given, [online], [site visited Dec. 9, 2016], Available from Internet, <URL: <https://www.etsy.com/shop/ThePaperedTable/reviews?ref=pagination&page=4>>.*

(Continued)

Primary Examiner — Melanie H Tung
Assistant Examiner — Fitzgerald Butac
(74) *Attorney, Agent, or Firm* — Gallagher & Dawsey Co., LPA; Michael J. Gallagher; David J. Dawsey

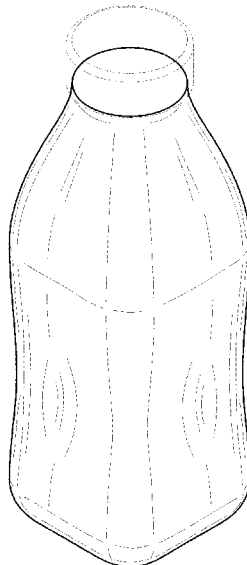
(57) **CLAIM**

The ornamental design for a bottle, as shown and described.

DESCRIPTION

FIG. 1 is a perspective view of a bottle showing our new design;
FIG. 2 is front elevation view thereof;
FIG. 3 a left side elevation view thereof;
FIG. 4 is a rear elevation view thereof;
FIG. 5 is a right side elevation view thereof;
FIG. 6 is a top plan view thereof; and,
FIG. 7 is a bottom plan view thereof.
The broken lines illustrate portions of the bottle that form no part of the claimed design.

1 Claim, 4 Drawing Sheets



(56)

References Cited

U.S. PATENT DOCUMENTS

D189,460	S	12/1960	Richter	D328,420	S	8/1992	Miller
D192,535	S	4/1962	Laudano	D332,392	S	1/1993	Foster et al.
D193,311	S	7/1962	Buckley	D334,343	S	3/1993	Leslie et al.
D195,230	S	5/1963	Dubbs	D336,246	S	6/1993	Narvaez
D196,990	S	11/1963	Dubbs	D346,964	S	5/1994	Green
D198,405	S	6/1964	Racknagel	D347,388	S	5/1994	Crawford
D198,407	S	6/1964	Busch	D347,389	S	5/1994	Crawford
3,147,876	A	9/1964	Lepore	D347,794	S	6/1994	Lewis
D201,997	S	8/1965	Ludetke	D348,606	S	7/1994	Edstrom
D204,707	S	5/1966	Abbott	D349,857	S	8/1994	Lonczak et al.
3,258,288	A	6/1966	Courter	D350,691	S	9/1994	Simion
3,342,379	A	9/1967	Foley	D352,462	S	11/1994	Rupert
D209,097	S	10/1967	Stehl	D353,775	S	12/1994	Thompson
D211,509	S	6/1968	Vanderhyde	5,392,937	A	2/1995	Prevot et al.
D212,276	S	9/1968	Lodding	D356,038	S	3/1995	Biesecker
D213,355	S	2/1969	Kneapler	D356,264	S	3/1995	Praturlon et al.
D213,421	S	3/1969	Leary	D357,418	S	4/1995	Lonczak et al.
D214,554	S	7/1969	Ottman et al.	D360,831	S	8/1995	Boisset
3,499,567	A	3/1970	Spotts	5,480,204	A	1/1996	Erickson
D217,439	S	5/1970	Platte	D368,859	S	4/1996	LoPreto
3,511,403	A	5/1970	Braun	D369,980	S	5/1996	Dinand
D219,366	S	12/1970	Smith	D370,849	S	6/1996	Asante
D222,530	S	11/1971	Luedtke	D372,873	S	8/1996	Lathrop et al.
D225,834	S	1/1973	Kneapler	5,542,585	A	8/1996	Peters et al.
D226,303	S	2/1973	Kretz	D373,536	S	9/1996	Kokenge et al.
D227,344	S	6/1973	Lerner	D375,051	S	10/1996	Lathrop et al.
D234,077	S	1/1975	Peterson	D376,310	S	12/1996	Crawford
D234,493	S	3/1975	Schweizer	D377,755	S	2/1997	Kotyuk et al.
D234,682	S	4/1975	Quintal	5,598,941	A	2/1997	Semersky et al.
3,874,562	A	4/1975	Hazard	D378,665	S	4/1997	Fenton et al.
D238,555	S	1/1976	Blank	D380,681	S	7/1997	De Souza et al.
D240,592	S	7/1976	Koenigsberg	D381,895	S	8/1997	Cheng
4,007,848	A	2/1977	Snyder	D382,209	S	8/1997	Fenton et al.
D246,953	S	1/1978	Britt	5,676,270	A	10/1997	Roberts
D247,221	S	2/1978	Landor et al.	D386,090	S	11/1997	de Giovellina
D248,088	S	6/1978	Britt	D392,895	S	3/1998	Kuzma et al.
D250,393	S	11/1978	Shortino	D392,897	S	3/1998	Biesecker et al.
D254,651	S	4/1980	Shortino	5,722,545	A	3/1998	Rinne
D254,652	S	4/1980	Shortino	D393,202	S	4/1998	Bertolini et al.
D254,711	S	4/1980	Shortino	D393,596	S	4/1998	Kotyuk
D254,713	S	4/1980	Shortino	D396,191	S	7/1998	Kuzma et al.
D255,543	S	6/1980	Shortino	D397,608	S	9/1998	Fiore
D255,652	S	7/1980	Kretz	D398,239	S	9/1998	Bertolini et al.
D256,555	S	8/1980	Beeman	D398,244	S	9/1998	Bertolini et al.
D257,504	S	11/1980	Weckman	D398,853	S	9/1998	Phillips
D258,117	S	2/1981	Bashour	5,816,451	A	10/1998	Renault
D259,542	S	6/1981	Shortino	D403,592	S	1/1999	Everard et al.
D261,107	S	10/1981	Harris	D405,355	S	2/1999	Wawzonek
D263,281	S	3/1982	Smith	D408,740	S	4/1999	Jones et al.
D266,990	S	11/1982	Cook	D409,091	S	5/1999	Beaver et al.
D268,647	S	4/1983	Kingsford	D409,092	S	5/1999	Beasley
D272,889	S	3/1984	Walton	D411,457	S	6/1999	Ruda et al.
D273,564	S	4/1984	Spielhoff	D411,804	S	7/1999	Zaragoza
D281,863	S	12/1985	Beechuk et al.	D412,851	S	8/1999	Nosella
4,564,106	A	1/1986	Shilcock	D413,265	S	* 8/1999	Hestehave D9/541
D287,227	S	12/1986	Turnbull	D413,807	S	9/1999	Mikla
D287,823	S	1/1987	Rosenwinkel	D414,417	S	9/1999	Alt
D288,905	S	3/1987	Platte, Sr.	5,954,213	A	9/1999	Gerhart et al.
D291,778	S	9/1987	Rosenwinkel	D415,037	S	10/1999	Pritchard et al.
D297,089	S	8/1988	West	D417,624	S	12/1999	Herrmann et al.
D302,385	S	7/1989	Weiler	D419,887	S	2/2000	Dugan
D306,695	S	3/1990	Smith	D419,889	S	2/2000	Kuzma et al.
D308,337	S	6/1990	Weckman	D420,594	S	2/2000	Weinstein et al.
D310,169	S	8/1990	Kowollik et al.	D422,506	S	4/2000	Cummings
D310,329	S	9/1990	Schmidt	D423,366	S	* 4/2000	Gans D9/541
D310,964	S	10/1990	Weckman	D423,370	S	4/2000	Lewin
D312,779	S	12/1990	Tacconelli	D424,448	S	5/2000	Weber
D317,259	S	6/1991	Schmidt	D425,408	S	5/2000	Bakic
D321,131	S	10/1991	Wiseman et al.	D425,429	S	5/2000	Weber
D321,322	S	11/1991	Fuchs	D425,431	S	5/2000	Omidian
D322,936	S	1/1992	Maginnis, Jr.	D427,073	S	6/2000	Gaffney et al.
D322,937	S	1/1992	Dinand	D427,914	S	7/2000	Croft et al.
D324,820	S	3/1992	Hayman et al.	D428,342	S	7/2000	Stoller
D324,821	S	3/1992	Solomon	D428,343	S	7/2000	Waitzenegger
D324,998	S	3/1992	Klapwald	D428,578	S	7/2000	Waitzenegger
				D429,159	S	8/2000	Feen
				D429,649	S	8/2000	Kotyuk
				D432,920	S	10/2000	Johnson et al.
				D433,637	S	11/2000	Hailey et al.

(56)

References Cited

U.S. PATENT DOCUMENTS

D433,947 S	11/2000	Ewing, Jr.	D522,867 S	6/2006	Bakic	
D433,948 S	11/2000	Stoller	D523,756 S	6/2006	Considine et al.	
D437,559 S	2/2001	Fenton et al.	D524,657 S	7/2006	Harris et al.	
D437,775 S	2/2001	Dalmau	D525,872 S	8/2006	Haubert et al.	
D438,118 S	2/2001	Dalmau	D525,873 S	8/2006	Haubert et al.	
D439,518 S	3/2001	Gavin	D526,200 S	8/2006	Bakic	
D439,843 S	4/2001	Dalmau	D526,204 S	8/2006	Stolle	
D441,293 S	5/2001	Togasawa	D526,569 S	8/2006	Wurster	
D443,825 S	6/2001	Goettner	D527,636 S	9/2006	Bakic	
D444,389 S	7/2001	Bakic	7,108,128 B2	9/2006	Borg	
D444,390 S	7/2001	Kokenge et al.	D529,388 S	10/2006	Bakic	
D444,708 S	7/2001	Cummings	D529,810 S	10/2006	Davies et al.	
D446,128 S	8/2001	Adee et al.	D529,814 S	10/2006	Winkler et al.	
D446,459 S	8/2001	Weber	D535,887 S	1/2007	Haubert, III et al.	
D447,694 S	9/2001	Leggett	D535,888 S	1/2007	Kuzma et al.	
D448,677 S	10/2001	Krich	D535,891 S	1/2007	Varlet	
D448,678 S	10/2001	Bakic	D536,619 S	2/2007	Heisner	
D448,999 S	10/2001	Weber	D538,678 S	3/2007	Cummings et al.	
D450,247 S	11/2001	Johnson et al.	D540,185 S	4/2007	Cummings et al.	
D450,597 S	11/2001	Bobchenok et al.	D541,162 S	4/2007	Pleines et al.	
6,321,923 B1	11/2001	Wood	D542,661 S	5/2007	Adler et al.	
D452,157 S	12/2001	White et al.	D547,190 S	7/2007	Kuzma et al.	
D452,446 S	12/2001	Shear	D548,530 S	8/2007	Dien	
6,334,531 B1	1/2002	Valkovich	D551,555 S	9/2007	Escobosa et al.	
D455,648 S	4/2002	Cummings	D553,001 S	10/2007	Granitz	
D455,655 S	4/2002	Bunce	D553,502 S	10/2007	Toh	
D457,069 S	5/2002	Palaia	D555,500 S	11/2007	Johnston et al.	
D458,149 S	6/2002	Cummings	D556,056 S	11/2007	Thomas et al.	
D458,847 S	6/2002	Kuzma et al.	D557,140 S	12/2007	Voight et al.	
D459,212 S	6/2002	Gobe	D558,575 S	1/2008	Van Der Krogt et al.	
D459,659 S	7/2002	Chung	D558,580 S	1/2008	Kuzma et al.	
D459,996 S	7/2002	Kuzma et al.	D559,109 S	1/2008	Feen	
D463,747 S	10/2002	Peon et al.	D559,114 S	1/2008	Breitlander	
D464,874 S	10/2002	Tune et al.	D562,139 S	2/2008	Crabtree et al.	
D468,214 S	1/2003	Kuzma et al.	D562,140 S	2/2008	Crabtree et al.	
D468,643 S	1/2003	Kuzma et al.	D563,227 S	3/2008	Feen	
D468,644 S	1/2003	Kuzma et al.	D563,793 S	3/2008	Nomoto	
D469,022 S	1/2003	Kuzma et al.	D563,798 S	3/2008	Gibson et al.	
D469,214 S	1/2003	Balko	D567,662 S	4/2008	Feen et al.	
D470,772 S	2/2003	Egger	D567,664 S	4/2008	Rica	
D471,111 S	3/2003	Weaver et al.	D569,261 S	* 5/2008	Sequeira	D9/560
D471,461 S	3/2003	McGowan	D569,730 S	5/2008	Crabtree et al.	
D472,154 S	3/2003	Peon et al.	D578,395 S	10/2008	Kuzma et al.	
D475,298 S	6/2003	Corrigan et al.	D578,398 S	10/2008	Kuzma et al.	
D480,002 S	9/2003	Canepa	D578,406 S	10/2008	Kuzma et al.	
D481,950 S	11/2003	Bakic	D581,276 S	11/2008	Kuzma et al.	
6,659,294 B1	12/2003	Simard	D582,784 S	* 12/2008	Boiros	D9/560
D486,065 S	2/2004	Hutchinson et al.	D584,953 S	1/2009	Rica	
D489,267 S	5/2004	Rennie et al.	D585,750 S	2/2009	Kuzma et al.	
D489,626 S	5/2004	Pitassi	D590,717 S	4/2009	Weber	
D491,069 S	* 6/2004	Heliste	D591,161 S	4/2009	Trollope et al.	
D495,609 S	9/2004	Wurster	D593,416 S	6/2009	Medema	
D495,959 S	9/2004	Hogan et al.	D594,339 S	6/2009	Geeraert et al.	
D495,960 S	9/2004	Hogan et al.	D600,558 S	9/2009	Isono	
D496,264 S	9/2004	Eaton et al.	D601,427 S	10/2009	Miller et al.	
D496,283 S	9/2004	Busa, Jr.	D605,518 S	12/2009	Desjardins	
D496,867 S	10/2004	Kuzma et al.	D607,742 S	1/2010	Kuzma et al.	
D497,312 S	10/2004	Anderson et al.	D608,213 S	1/2010	Kuzma et al.	
D498,146 S	11/2004	Densky et al.	D610,012 S	2/2010	MacDonald et al.	
D498,670 S	11/2004	Cummings et al.	D610,912 S	3/2010	Boesch et al.	
D500,447 S	1/2005	Snyder	D614,039 S	4/2010	Arnell	
D500,954 S	1/2005	Kuzma et al.	D615,411 S	5/2010	Kuzma et al.	
D501,141 S	1/2005	Bakic	D615,871 S	5/2010	Renz et al.	
D502,400 S	3/2005	Cinquino et al.	D617,646 S	6/2010	Kuzma et al.	
D505,079 S	5/2005	Mulder et al.	D621,267 S	8/2010	Arnell	
D507,187 S	7/2005	Yourist	D621,272 S	8/2010	Carnduff et al.	
D509,148 S	9/2005	Wilson et al.	D622,146 S	8/2010	Wheaton et al.	
D510,030 S	9/2005	Storz et al.	D623,066 S	9/2010	Mongeon et al.	
D510,705 S	10/2005	Crawfors	D623,532 S	9/2010	Kuzma et al.	
D510,869 S	10/2005	Gross et al.	D626,002 S	10/2010	Charyszyn et al.	
D513,993 S	1/2006	Boyd	D626,423 S	11/2010	Lauret	
6,984,640 B1	1/2006	Haynes et al.	D632,581 S	2/2011	Kuzma et al.	
D514,448 S	2/2006	Kuzma et al.	D632,967 S	* 2/2011	Hughes	D9/542
D515,430 S	2/2006	Venkataraman et al.	D636,269 S	4/2011	Arnell et al.	
D521,386 S	5/2006	Priestman	D641,247 S	7/2011	Kuzma et al.	
			D642,066 S	7/2011	Kuzma et al.	
			D642,922 S	8/2011	Kuzma et al.	
			D643,736 S	8/2011	Lagerqvist	
			D644,519 S	9/2011	Howell et al.	

(56)

References Cited

U.S. PATENT DOCUMENTS

D644,529 S 9/2011 Padain et al.
 D644,530 S 9/2011 Padain et al.
 D644,531 S 9/2011 Padain et al.
 D646,171 S 10/2011 Howell et al.
 D649,058 S 11/2011 Kuzma et al.
 D650,281 S 12/2011 Padain et al.
 D650,282 S 12/2011 Padain et al.
 D651,518 S 1/2012 Padain et al.
 D652,735 S * 1/2012 Chen D9/542
 D656,405 S * 3/2012 Byron D9/560
 D656,666 S 3/2012 McGregor et al.
 D669,359 S 10/2012 Kuzma et al.
 D669,360 S 10/2012 Kuzma et al.
 D670,173 S 11/2012 Kuzma et al.
 D735,046 S * 7/2015 De Lorme D9/560
 D736,641 S * 8/2015 Manne D9/560
 D752,443 S * 3/2016 Schlies D9/530
 D752,444 S * 3/2016 Schlies D9/530
 D762,480 S * 8/2016 Yourist D9/542
 2005/0263476 A1 12/2005 Harrison et al.
 2007/0205175 A1 9/2007 Darr et al.
 2008/0257849 A1 10/2008 Farrar et al.

2008/0314856 A1 12/2008 Penny et al.
 2011/0226791 A1 9/2011 Kuzma et al.
 2012/0305516 A1 12/2012 Kuzma et al.

OTHER PUBLICATIONS

Clear Glass Milk Bottles with Lid, posted on orientaltrading.com, earliest product review on Mar. 2, 2015, no production date given, [online], [site visited Dec. 9, 2016], Available from Internet, <URL: http://www.orientaltrading.com/web/browse/processProducts-Catalog?Nrpp=10000&sku=13648571&BP=PS525&ms=search&source=google&cm_mmc=Google_-242030648-*
 Milk Bottles Set of 3, posted on store.lovelesscafe.com, earliest review on Dec. 29, 2013, no production date given, [online], [site visited Dec. 9, 2016], Available from Internet, <URL: http://store.lovelesscafe.com/product/milk-bottles/loveless_glassware?gclid=CNL5uvS559ACFca4wAodIEUN3w>.*
 Glass Pint Milk Bottles, posted on lehmans.com, earliest review posted Sep. 9, 2015, no production date given, [online], [site visited Dec. 9, 2016], Available from Internet, <URL: https://www.lehmans.com/product/glass-pint-milk-bottles/canning?utm_medium=shoppingengine&utm_source=googlebase&utm_campaign=100005697&zmmam=32933335&zmas=1&zmac=1&zma*
 * cited by examiner

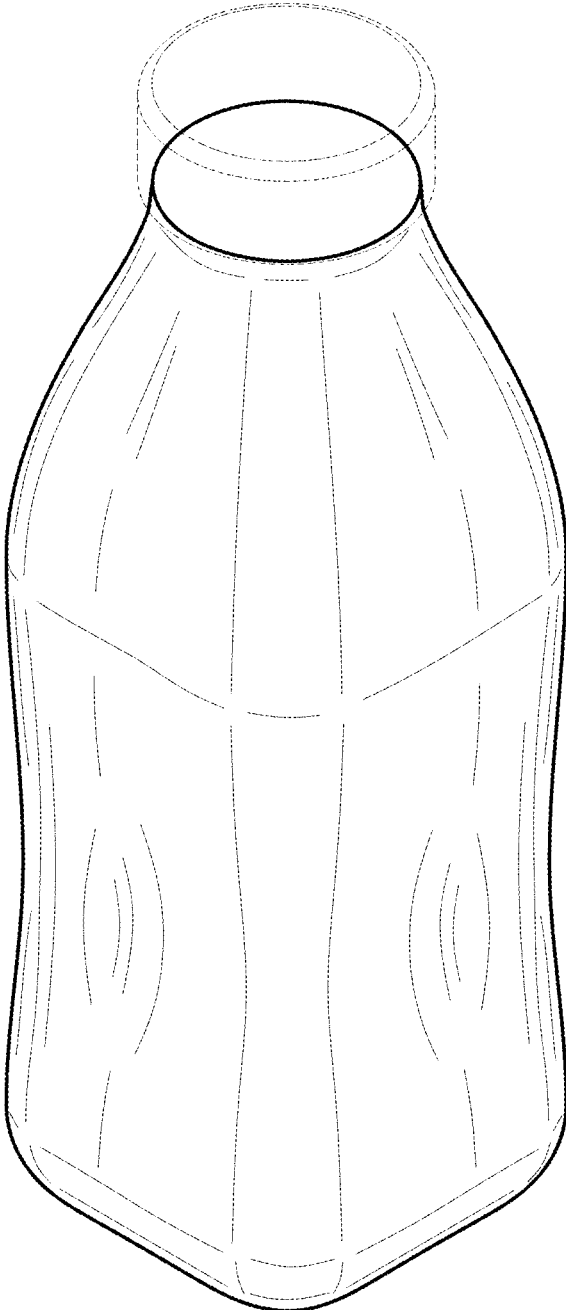


FIG. 1

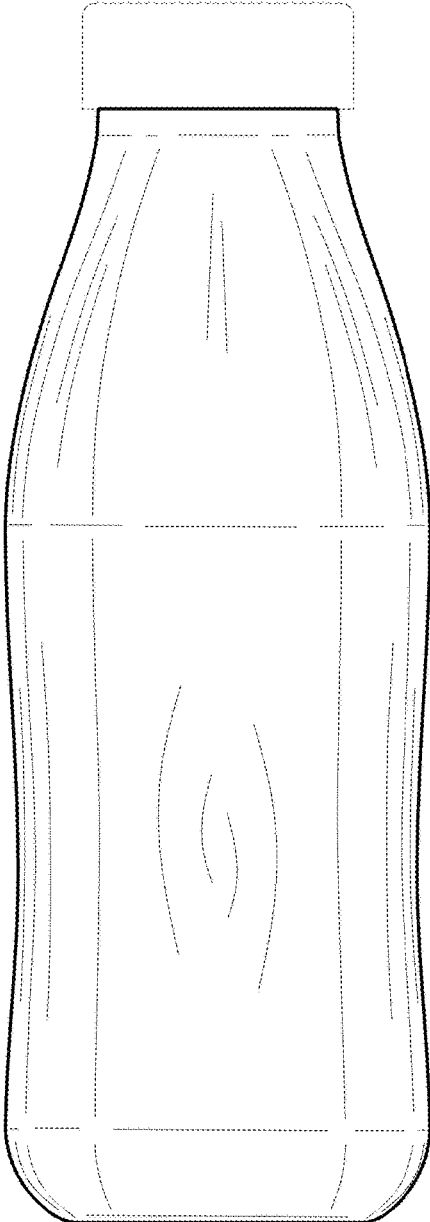


FIG. 2

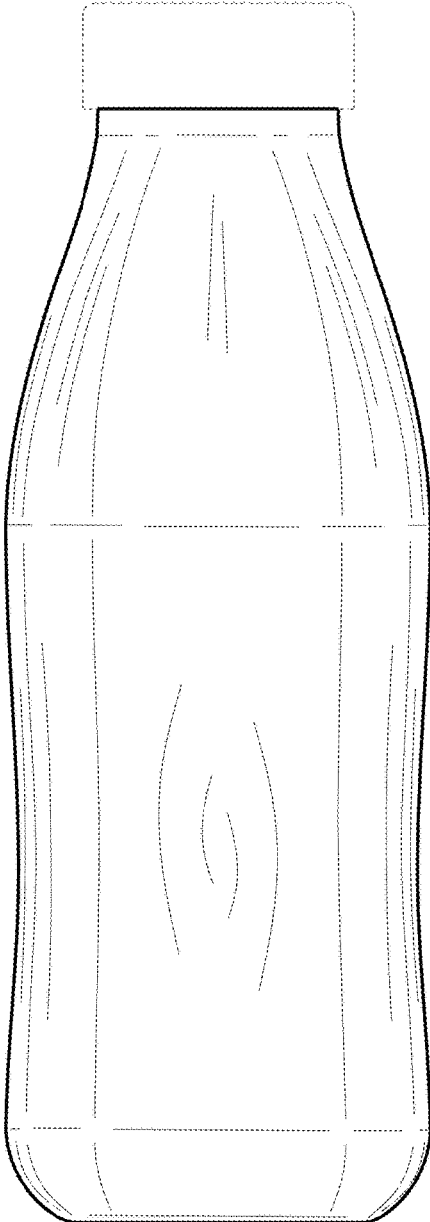


FIG. 3

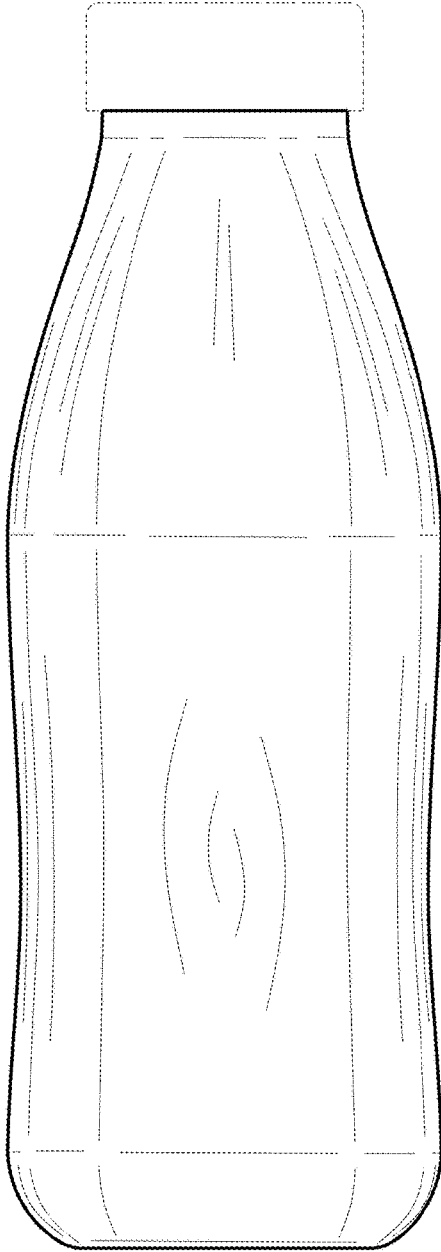


FIG. 4

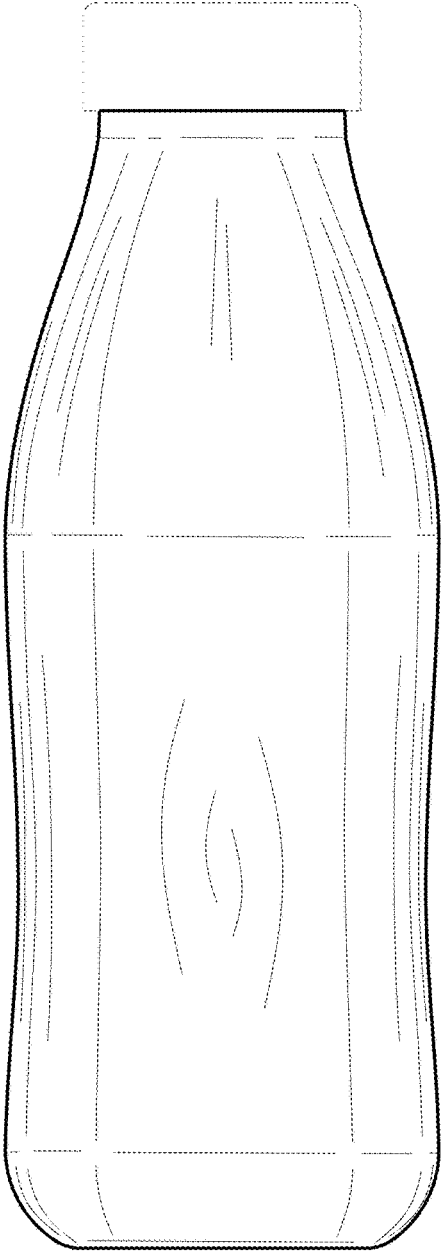


FIG. 5

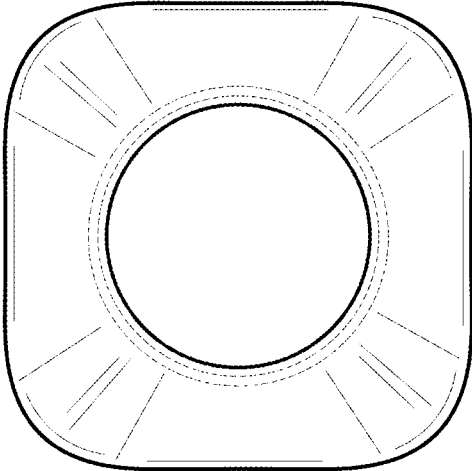


FIG. 6

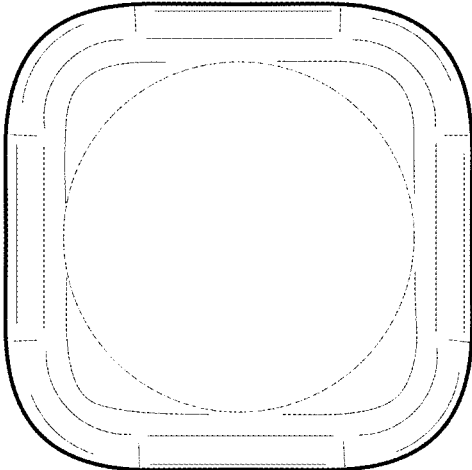


FIG. 7