



US00D803926S

(12) **United States Design Patent**  
**Katori et al.**

(10) **Patent No.:** **US D803,926 S**  
(45) **Date of Patent:** **\*\* Nov. 28, 2017**

(54) **SURVEILLANCE CAMERA**

(71) Applicant: **Panasonic Corporation**, Kadoma-shi, Osaka (JP)

(72) Inventors: **Takehito Katori**, Kyoto (JP); **Yasuki Yamakawa**, Kanagawa (JP)

(73) Assignee: **PANASONIC INTELLECTUAL PROPERTY MANAGEMENT CO., LTD.**, Osaka (JP)

(\*\*) Term: **14 Years**

(21) Appl. No.: **29/495,918**

(22) Filed: **Jul. 7, 2014**

(30) **Foreign Application Priority Data**

Jan. 9, 2014 (JP) ..... 2014-000180

(51) **LOC (10) CL.** ..... **16-05**

(52) **U.S. CL.**  
USPC ..... **D16/219; D16/203**

(58) **Field of Classification Search**  
USPC ..... D16/200, 202-206, 218, 219, 242;  
D13/180; 348/143, 148, 151, 373-376;  
396/419, 427, 535, 539-541  
CPC ..... G03B 17/02; G03B 19/04; G03B 17/56;  
G03B 17/04; G03B 15/03; H04N 5/2251;  
H04N 5/2252; H04N 5/2253; H04N  
5/2254; H04N 7/181; H04N 7/183; H04N  
7/18; G08B 13/1963; G08B 13/19619;  
G08B 13/19632; F16M 11/04; F16M  
13/00

See application file for complete search history.

(56) **References Cited**

**U.S. PATENT DOCUMENTS**

5,394,184 A \* 2/1995 Anderson ..... G03B 17/55  
348/151

D527,405 S \* 8/2006 Kim ..... D16/202

(Continued)

**FOREIGN PATENT DOCUMENTS**

JP D1192751 12/2003  
JP D1222623 11/2004

(Continued)

**OTHER PUBLICATIONS**

News Release, 4 models including the world's smallest network camera "VB-S30D" released, Add a compact model suitable for various indoor surveillance and enhance lineup, *Canon Inc.*, *Canon Marketing Japan Inc.*, <http://cweb.canon.jp/newsrelease/2013-09/pr-vbs30d.html>, Sep. 26, 2013, 3 pages.

*Primary Examiner* — Philip S Hyder

*Assistant Examiner* — Ramzi Almatrahi

(74) *Attorney, Agent, or Firm* — Brinks Gilson & Lione

(57) **CLAIM**

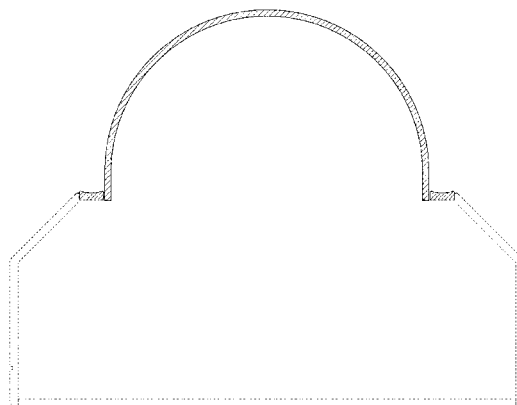
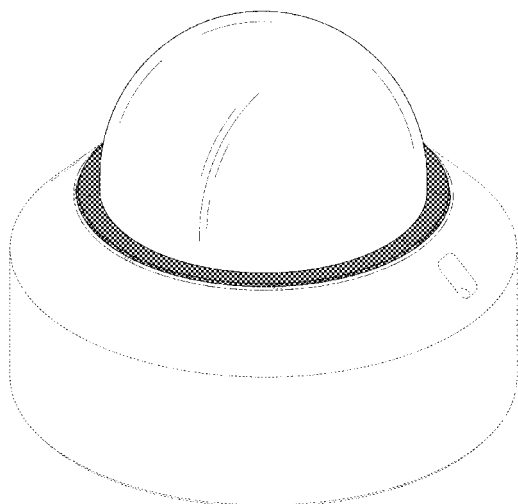
We claim the ornamental design for a surveillance camera, as shown and described.

**DESCRIPTION**

FIG. 1 is a front perspective view of a surveillance camera of the present invention;  
FIG. 2 is a front view thereof;  
FIG. 3 is a rear view thereof;  
FIG. 4 is a first side view thereof;  
FIG. 5 is a second side view thereof;  
FIG. 6 is a top view thereof;  
FIG. 7 is a bottom view thereof; and,  
FIG. 8 is a cross-section view taken along the line 8-8 of FIG. 2.

The broken lines depict portions of the surveillance camera in which the design is embodied that form no part of the claimed design. Additionally, the dot-dash lines denote the boundary of the claim and form no part of the claimed design. The dark gray surface shading in FIGS. 1-6 represents the color black.

**1 Claim, 8 Drawing Sheets**



(56)

**References Cited**

## U.S. PATENT DOCUMENTS

D556,235	S	11/2007	Todd et al.	
D556,236	S *	11/2007	Kim .....	D16/202
D558,248	S	12/2007	Togawa et al.	
7,306,383	B2 *	12/2007	Jones .....	G08B 13/19619 348/373
D560,244	S *	1/2008	Naruki .....	D16/203
D575,810	S *	8/2008	Alm .....	D16/203
D584,756	S	1/2009	Yamakawa	
D592,159	S *	5/2009	Ono .....	D13/180
D598,871	S *	8/2009	Eberle .....	D13/180
D628,225	S	11/2010	Deurwaarder	
D644,677	S *	9/2011	Park .....	D16/203
D647,553	S *	10/2011	Park .....	D16/203
D676,478	S	2/2013	Uehara	
D701,258	S *	3/2014	Huang .....	D16/203
8,764,318	B2 *	7/2014	Wada .....	H04N 5/2252 348/143
2005/0007488	A1 *	1/2005	Arbuckle .....	H04N 5/2251 348/375
2006/0023113	A1 *	2/2006	Lin .....	G08B 13/1963 348/373
2013/0342911	A1 *	12/2013	Bartol .....	E04D 13/03 359/598
2014/0333774	A1 *	11/2014	Hsu .....	H04N 5/2251 348/159

## FOREIGN PATENT DOCUMENTS

JP	D1343670	11/2008
JP	D1369678	9/2009
JP	2012-156582 A	8/2012

\* cited by examiner

FIG. 1

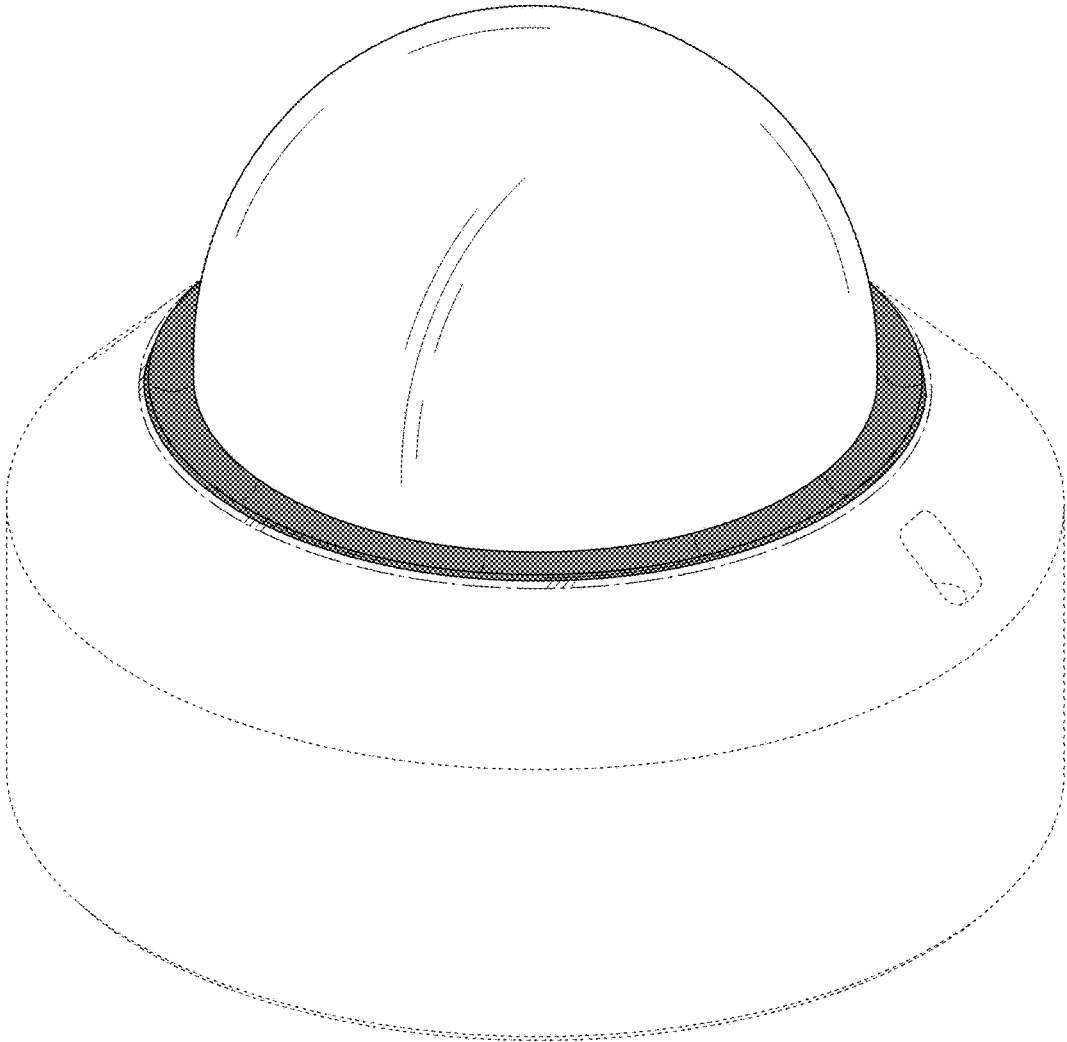


FIG. 2

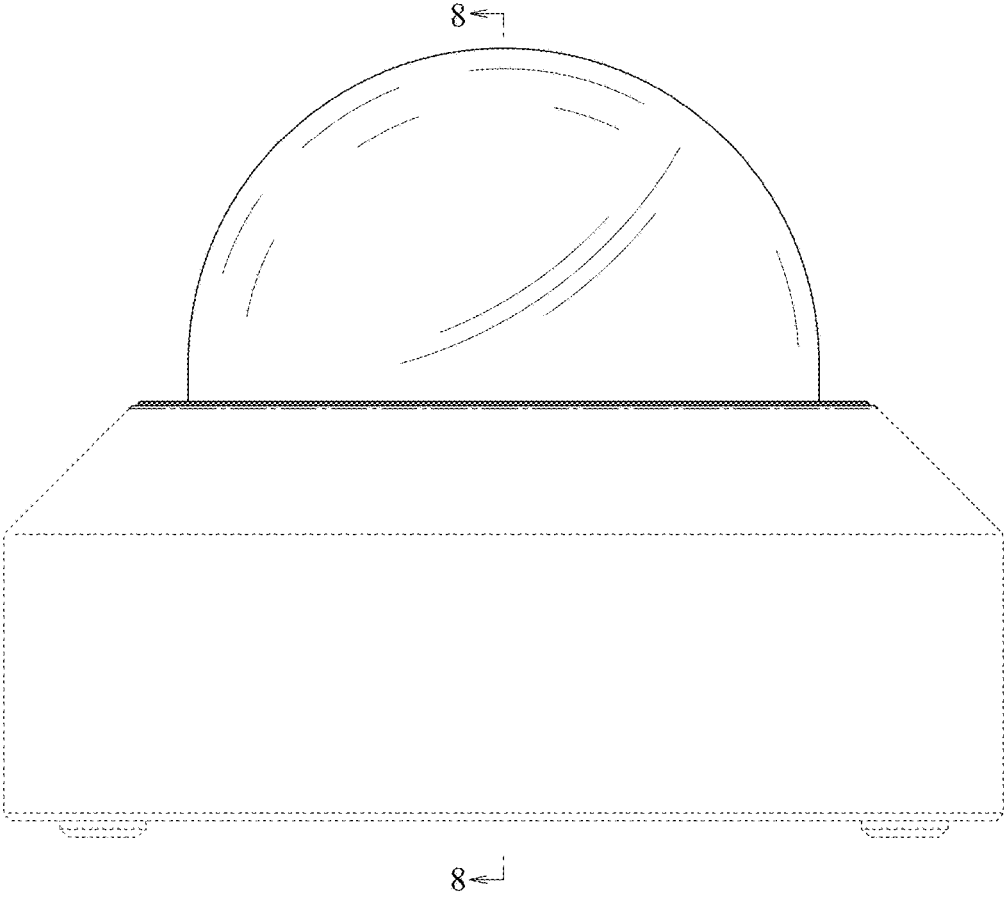


FIG. 3

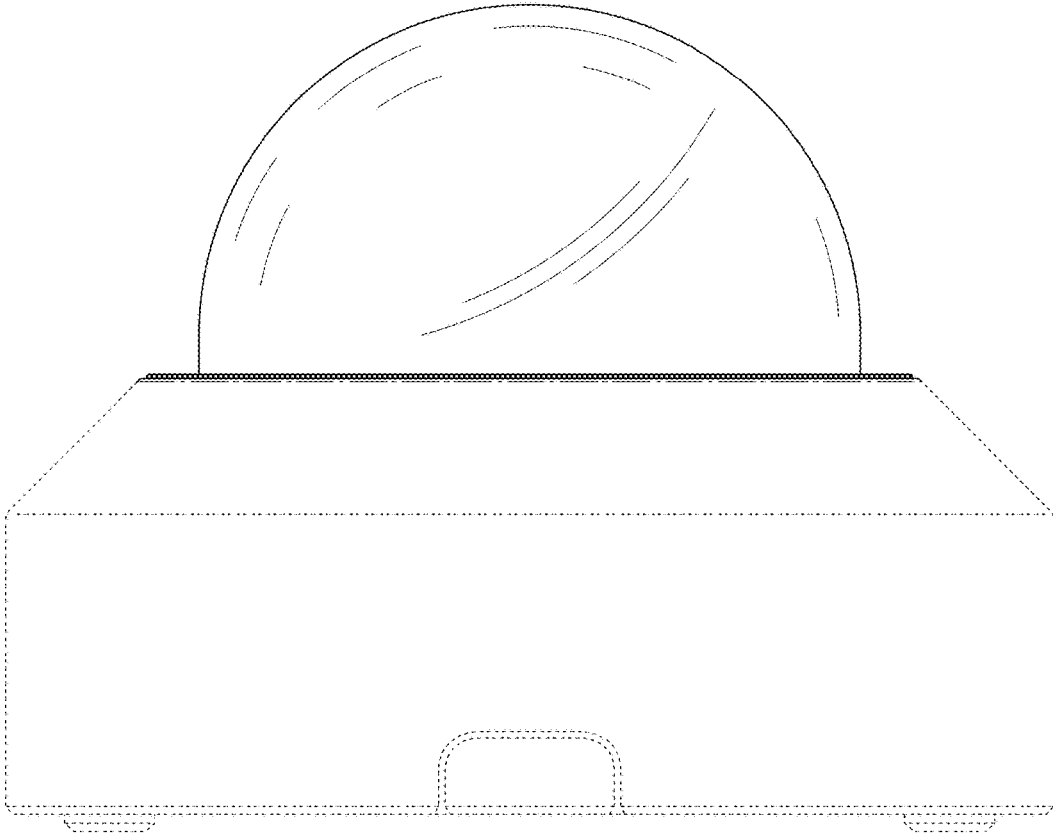


FIG. 4

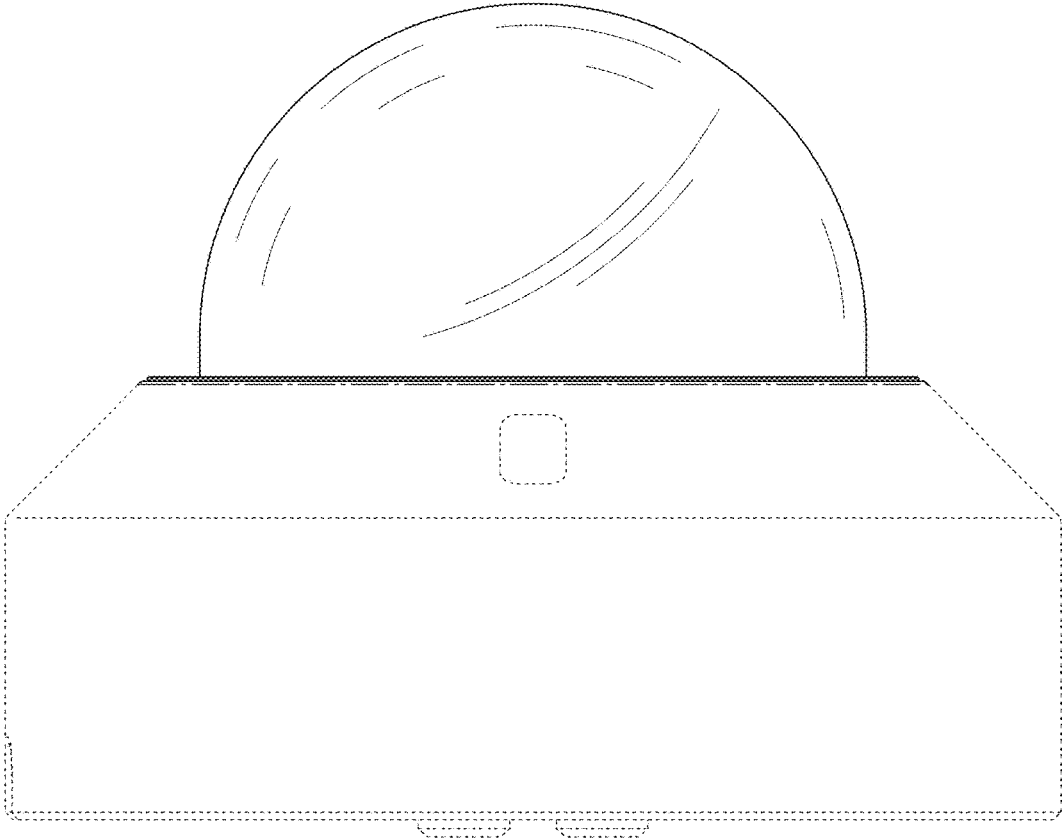


FIG. 5

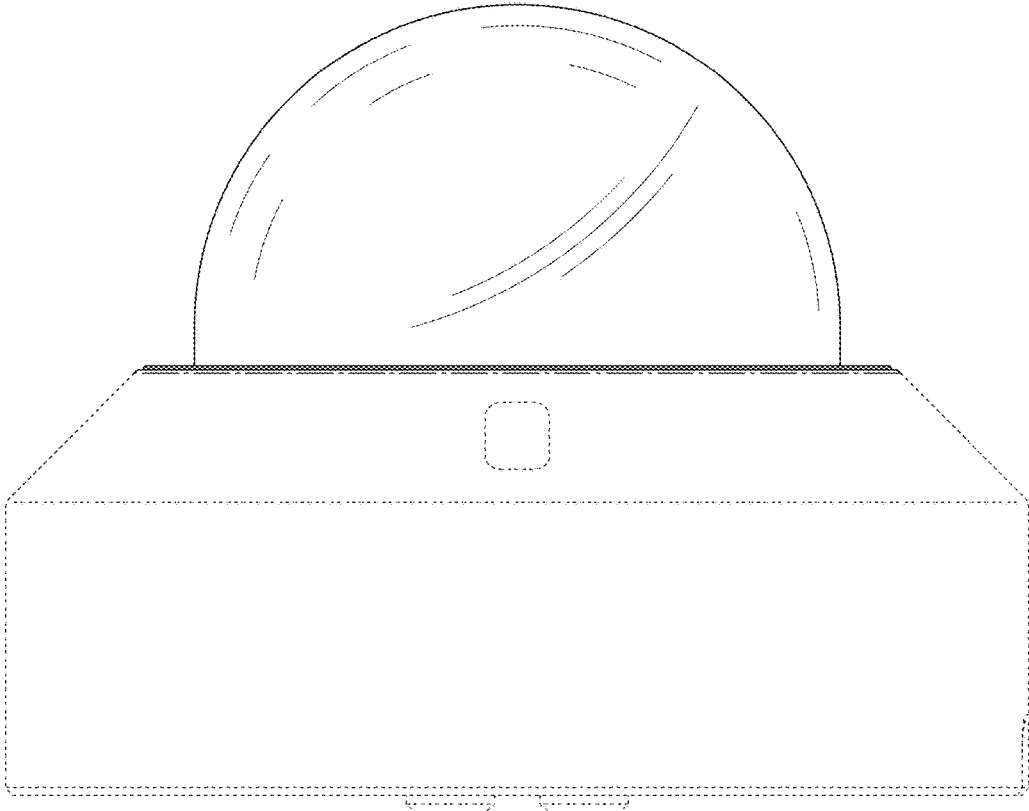


FIG. 6

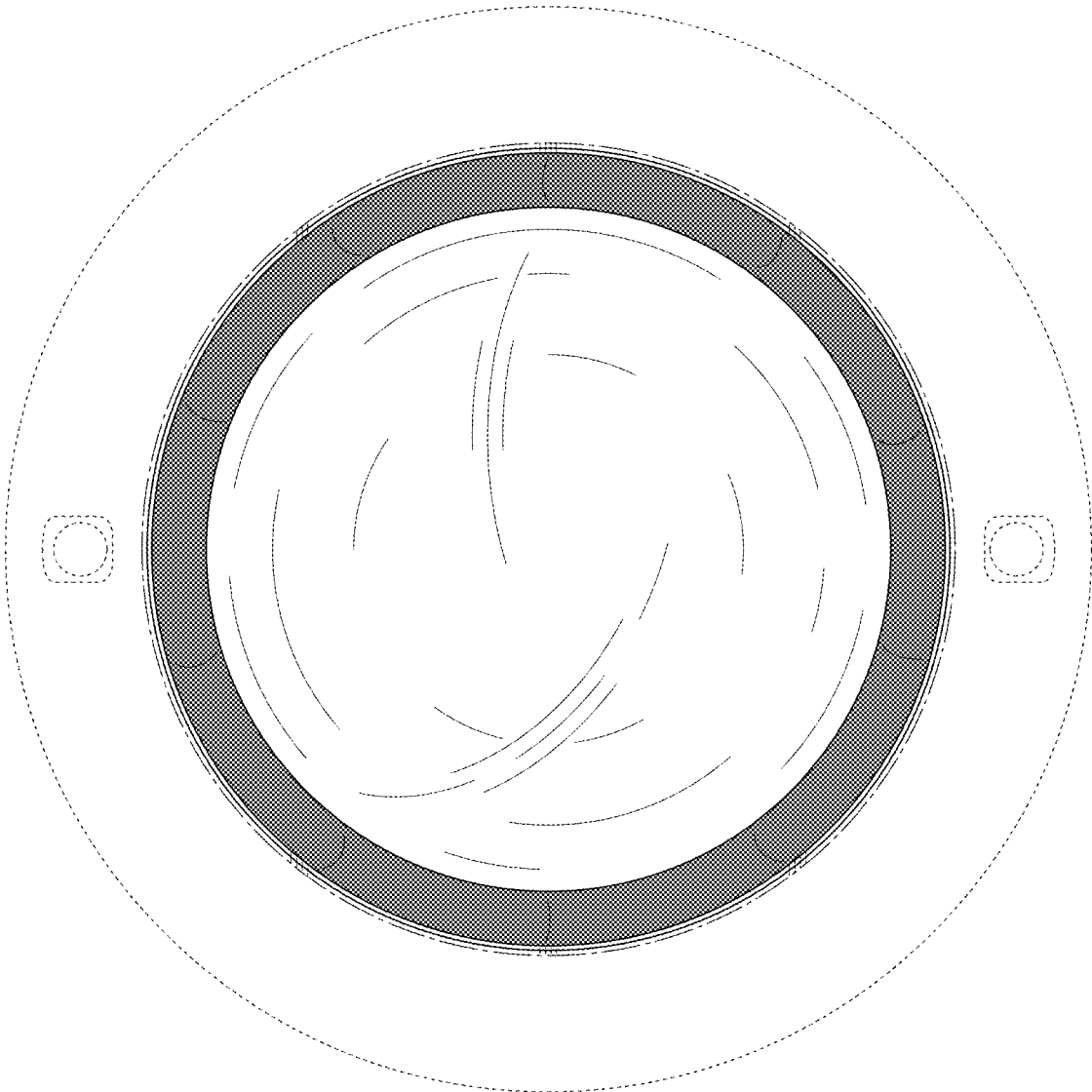




FIG. 7

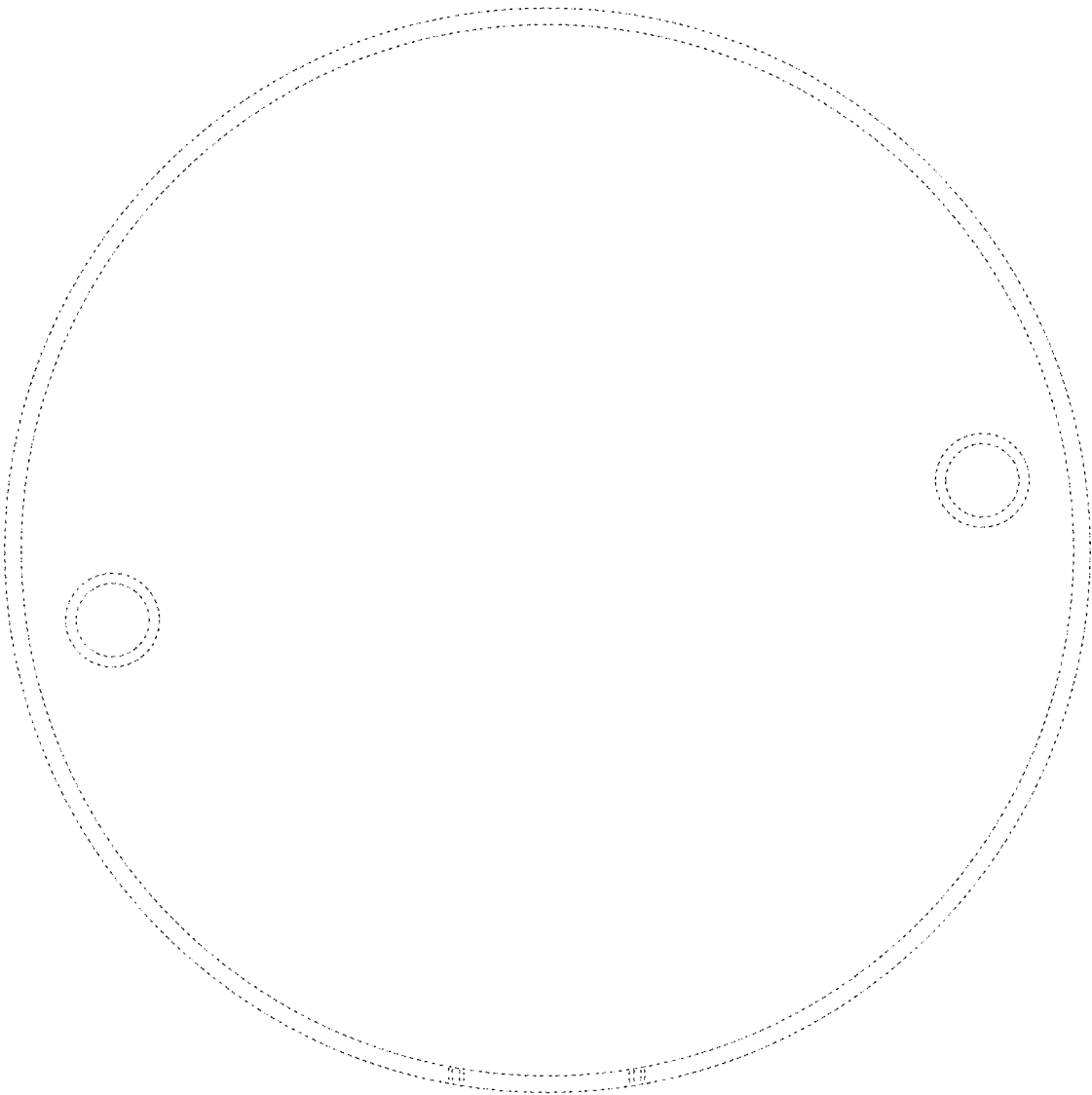


FIG.8

