



US00D379759S

United States Patent [19]
Mulry

[11] **Patent Number: Des. 379,759**
[45] **Date of Patent: **Jun. 10, 1997**

[54] **FLIP-TOP CARTON**
[75] **Inventor: Patrick E. Mulry, Grand Rapids, Mich.**
[73] **Assignee: Amway Corporation, Ada, Mich.**
[**]. **Term: 14 Years**

[21] **Appl. No.: 51,711**
[22] **Filed: Mar. 15, 1996**

[51] **LOC (6) Cl. 09-07**
[52] **U.S. Cl. D9/418; D9/416**
[58] **Field of Search D9/418, 416, 432,**
D9/433, 414; 229/225, 237, 210, 221, 162,
917, 117.16, 117.23, 117.26, 242; 206/769,
771

3,207,416	9/1965	Koltz et al.	229/225
4,169,539	10/1979	Price .	
4,318,474	3/1982	Hasegawa	229/242 X
4,447,004	5/1984	House et al. .	
4,913,292	4/1990	Field	229/231
5,031,825	7/1991	Romagnoli	229/225 X
5,193,740	3/1993	New Borough et al.	229/242 X
5,209,394	5/1993	Griffiths et al.	229/225 X
5,238,179	8/1993	Hart .	
5,320,279	6/1994	Giblin et al. .	
5,373,960	12/1994	Gunn et al. .	
5,437,407	8/1995	Kim .	

Primary Examiner—Prabhakar G. Deshmukh
Attorney, Agent, or Firm—Warner Norcross & Judd

[57] **CLAIM**

The ornamental design for flip-top carton, as shown and described.

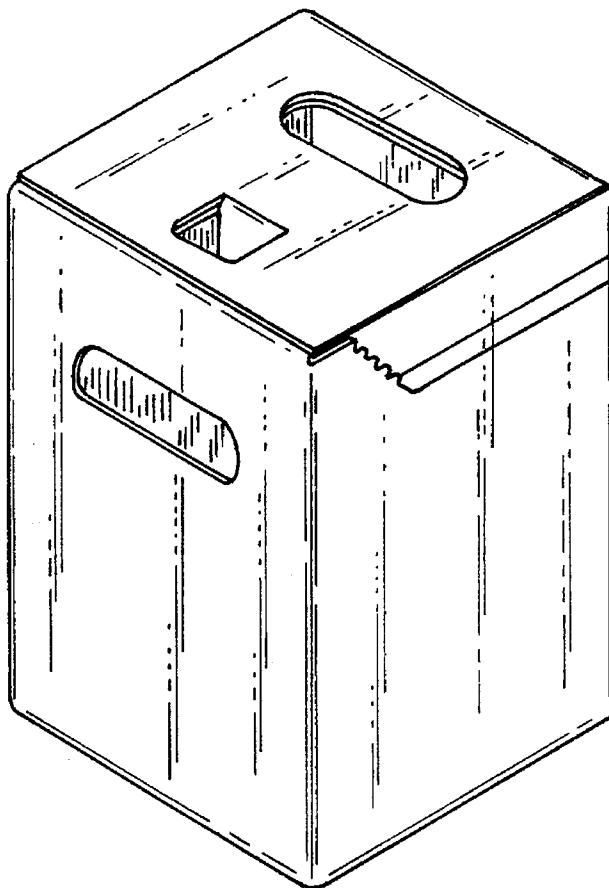
[56] **References Cited**
U.S. PATENT DOCUMENTS

D. 299,431	1/1989	Gustafsson	D9/416 X
D. 329,199	9/1992	Corso .	
D. 350,480	9/1994	Sutherland .	
D. 352,453	11/1994	Bacchetti et al. .	
D. 356,253	3/1995	Bacchetti et al. .	
D. 360,131	7/1995	Tudor	D9/432 X
D. 364,087	11/1995	Farley .	
2,348,377	5/1944	Goodyear	229/225
3,119,544	1/1964	Cope et al. .	

DESCRIPTION

FIG. 1 is a rear perspective view of the flip-top carton embodying the new design;
FIG. 2 is a front elevational view thereof;
FIG. 3 is a rear elevational view thereof;
FIG. 4 is a top plan view thereof;
FIG. 5 is a bottom plan view thereof;
FIG. 6 is a left side elevational view thereof; and,
FIG. 7 is a right side elevational view thereof.

1 Claim, 2 Drawing Sheets



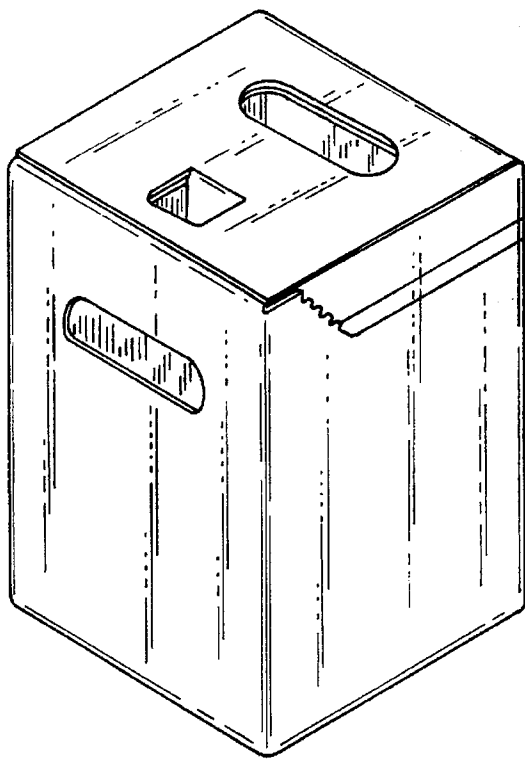


FIG. 1

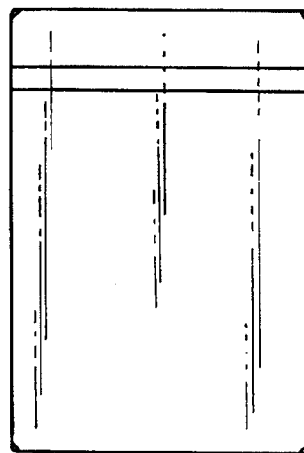


FIG. 2

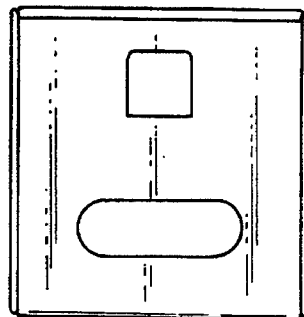


FIG. 4

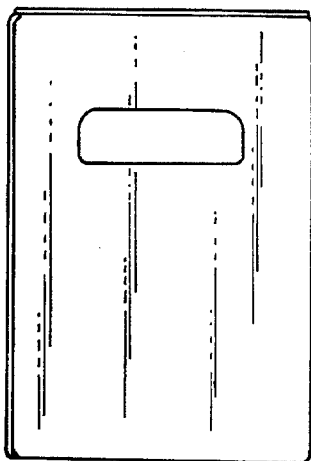


FIG. 3

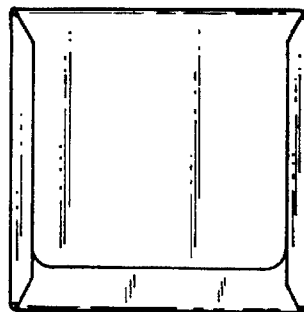


FIG. 5

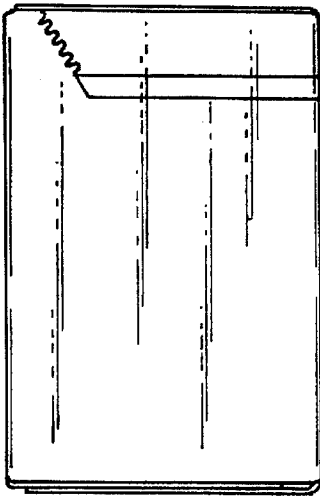


FIG. 6

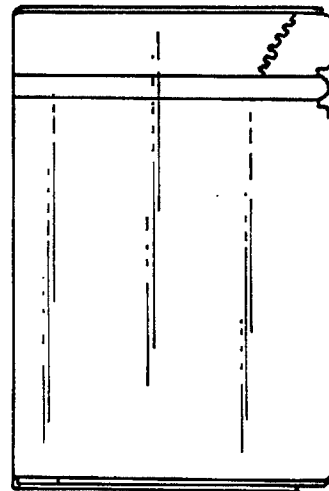


FIG. 7