



(12) **United States Design Patent**
Feichtner

(10) **Patent No.:** **US D748,927 S**
(45) **Date of Patent:** **** Feb. 9, 2016**

(54) **CHAIR**

(71) Applicant: **TON a. s.**, Bystřice pod Hostýnem (CZ)

(72) Inventor: **Thomas Feichtner**, Vienna (AT)

(73) Assignee: **TON a.s.** (CZ)

(**) Term: **14 Years**

(21) Appl. No.: **29/480,657**

(22) Filed: **Jan. 28, 2014**

(51) **LOC (10) Cl.** **06-01**

(52) **U.S. Cl.**
USPC **D6/375**; D6/379

(58) **Field of Classification Search**
USPC D6/334–336, 360–381, 388, 403, 716,
D6/716.1–716.4, 717
CPC A47B 91/06; A47C 1/124; A47C 3/023;
A47C 3/04; A47C 3/12; A47C 3/14; A47C
4/02; A47C 4/03; A47C 4/04; A47C 5/04;
A47C 5/046; A47C 5/06
See application file for complete search history.

(56) **References Cited**

U.S. PATENT DOCUMENTS

D192,029 S * 1/1962 Sam Avedon et al. ... 297/452.14
3,025,105 A * 3/1962 Nash A47B 91/06
297/2

(Continued)

Primary Examiner — Ricky Pham

(74) *Attorney, Agent, or Firm* — Fross Zelnick Lehrman &
Zissu, P.C.; Charles T. J. Weigell, Esq.

(57) **CLAIM**

The ornamental design for a chair, as shown and described.

DESCRIPTION

FIG. 1 is a front perspective view of a chair showing my new design;

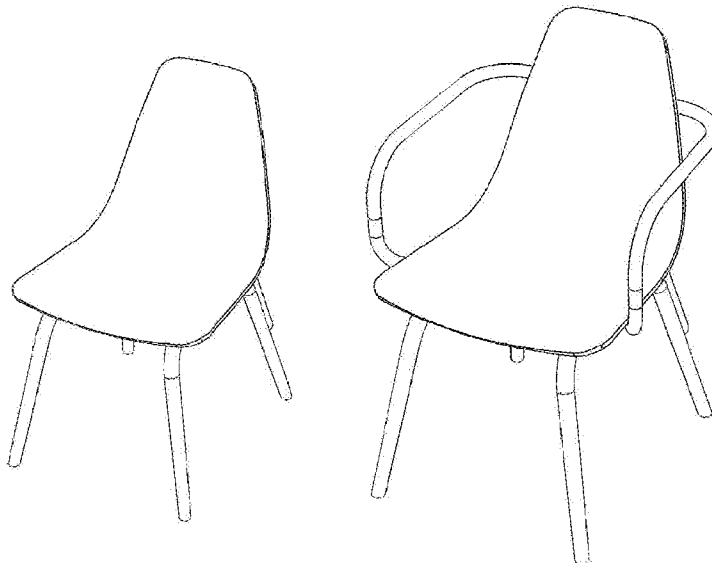
FIG. 2 is a front view of the chair shown in FIG. 1;
FIG. 3 is a back view of the chair shown in FIG. 1;
FIG. 4 is a side view of the chair shown in FIG. 1 (with the other side view being a mirror image thereof);
FIG. 5 is an enlarged top view of the chair shown in FIG. 1;
FIG. 6 is an enlarged bottom view of the chair shown in FIG. 1;

FIG. 7 is a front perspective view of an alternative embodiment of the chair shown in FIG. 1;
FIG. 8 is a front view of the chair shown in FIG. 7;
FIG. 9 is a back view of the chair shown in FIG. 7;
FIG. 10 is a side view of the chair shown in FIG. 7 (with the other side view being a mirror image thereof);
FIG. 11 is an enlarged top view of the chair shown in FIG. 7;
FIG. 12 is an enlarged bottom view of the chair shown in FIG. 7;

FIG. 13 is a front perspective view of another alternative embodiment of the chair shown in FIG. 1;
FIG. 14 is a front view of the chair shown in FIG. 13;
FIG. 15 is a back view of the chair shown in FIG. 13;
FIG. 16 is a side view of the chair shown in FIG. 13 (with the other side view being a mirror image thereof);
FIG. 17 is an enlarged top view of the chair shown in FIG. 13;
FIG. 18 is an enlarged bottom view of the chair shown in FIG. 13;

FIG. 19 is a front perspective view of another alternative embodiment of the chair shown in FIG. 1;
FIG. 20 is a front view of the chair shown in FIG. 19;
FIG. 21 is a back view of the chair shown in FIG. 19;
FIG. 22 is a side view of the chair shown in FIG. 19 (with the other side view being a mirror image thereof);
FIG. 23 is an enlarged top view of the chair shown in FIG. 19;
and,
FIG. 24 is an enlarged bottom view of the chair shown in FIG. 19.

1 Claim, 24 Drawing Sheets



(56)

References Cited

U.S. PATENT DOCUMENTS

3,084,977 A * 4/1963 Chapman A47C 1/124
 297/239
 D236,670 S * 9/1975 Uyeda D6/375
 D255,185 S * 6/1980 Locher D6/375
 D325,305 S * 4/1992 Sottsass D6/379
 D357,821 S * 5/1995 Tedesco D6/379
 D449,459 S * 10/2001 Diez Mintegi D6/374
 D458,468 S * 6/2002 Levrangli D6/376
 D464,494 S * 10/2002 Gasca Burges D6/374
 D470,670 S * 2/2003 Meyer D6/374
 D524,071 S * 7/2006 Brooks D6/379

D525,056 S * 7/2006 Muller D6/373
 D526,516 S * 8/2006 Muller D6/379
 D549,480 S * 8/2007 Rech D6/375
 D571,118 S * 6/2008 Camp, Jr. D6/375
 D573,363 S * 7/2008 Pillet D6/375
 D596,865 S * 7/2009 Bergmann D6/369
 D645,271 S * 9/2011 Olano Jauregui D6/375
 D645,272 S * 9/2011 Lissoni D6/376
 D651,426 S * 1/2012 Chiamonte D6/375
 D665,593 S * 8/2012 Morrison D6/375
 D666,428 S * 9/2012 Morrison D6/375
 D693,139 S * 11/2013 Darrow D6/374
 D715,569 S * 10/2014 Laub D6/375
 D729,538 S * 5/2015 Kotilainen D6/375

* cited by examiner

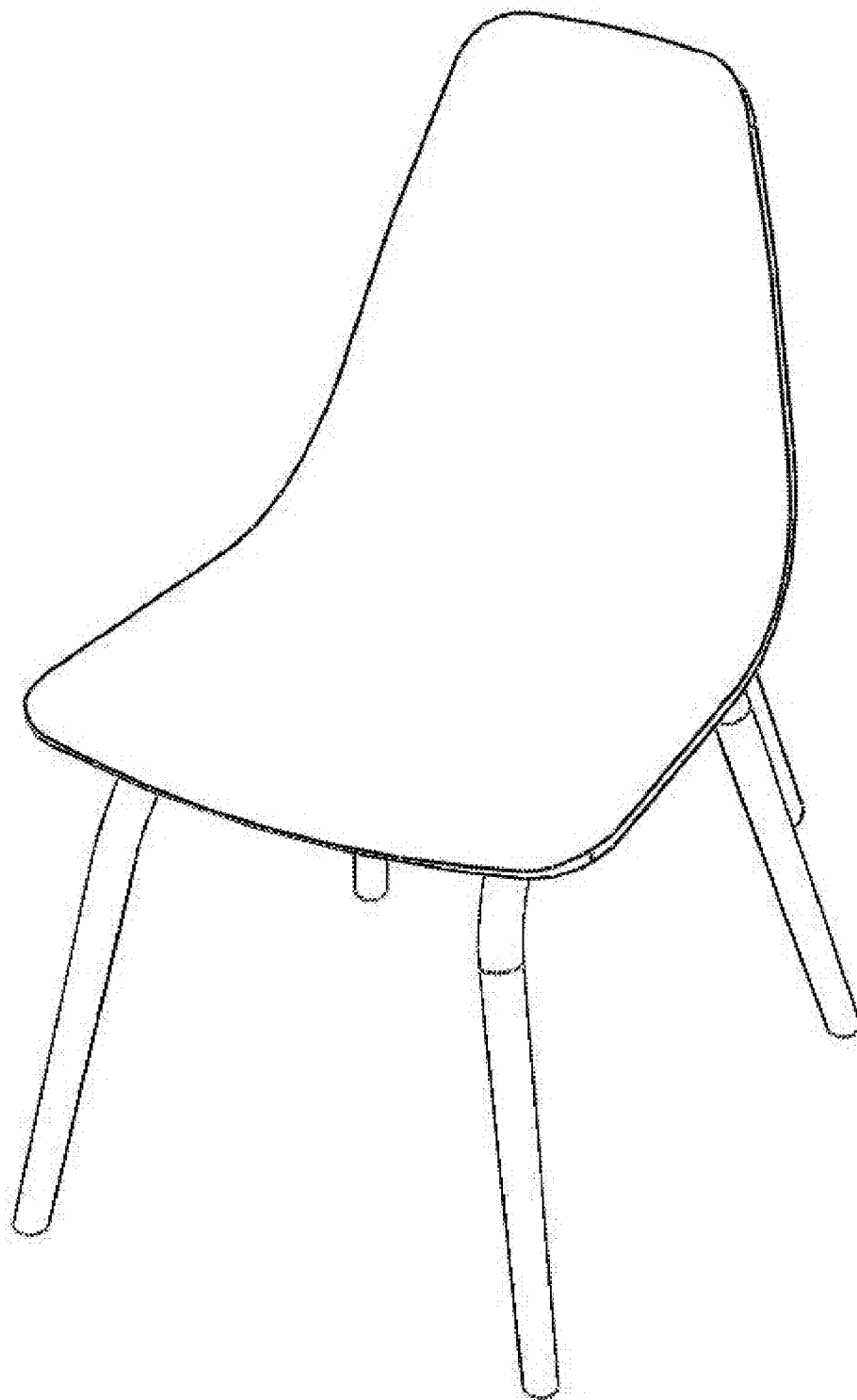
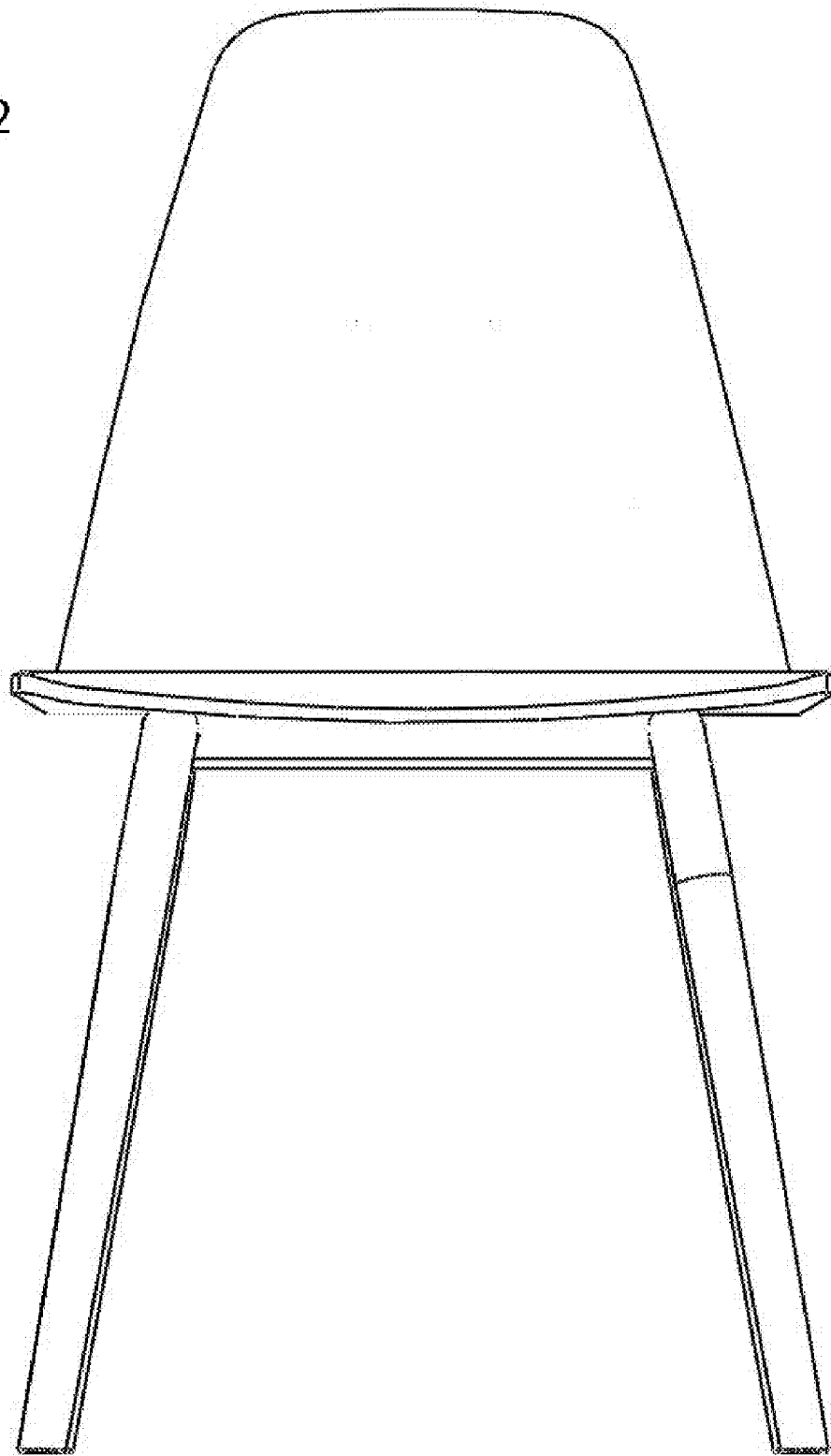


FIG. 1

FIG. 2



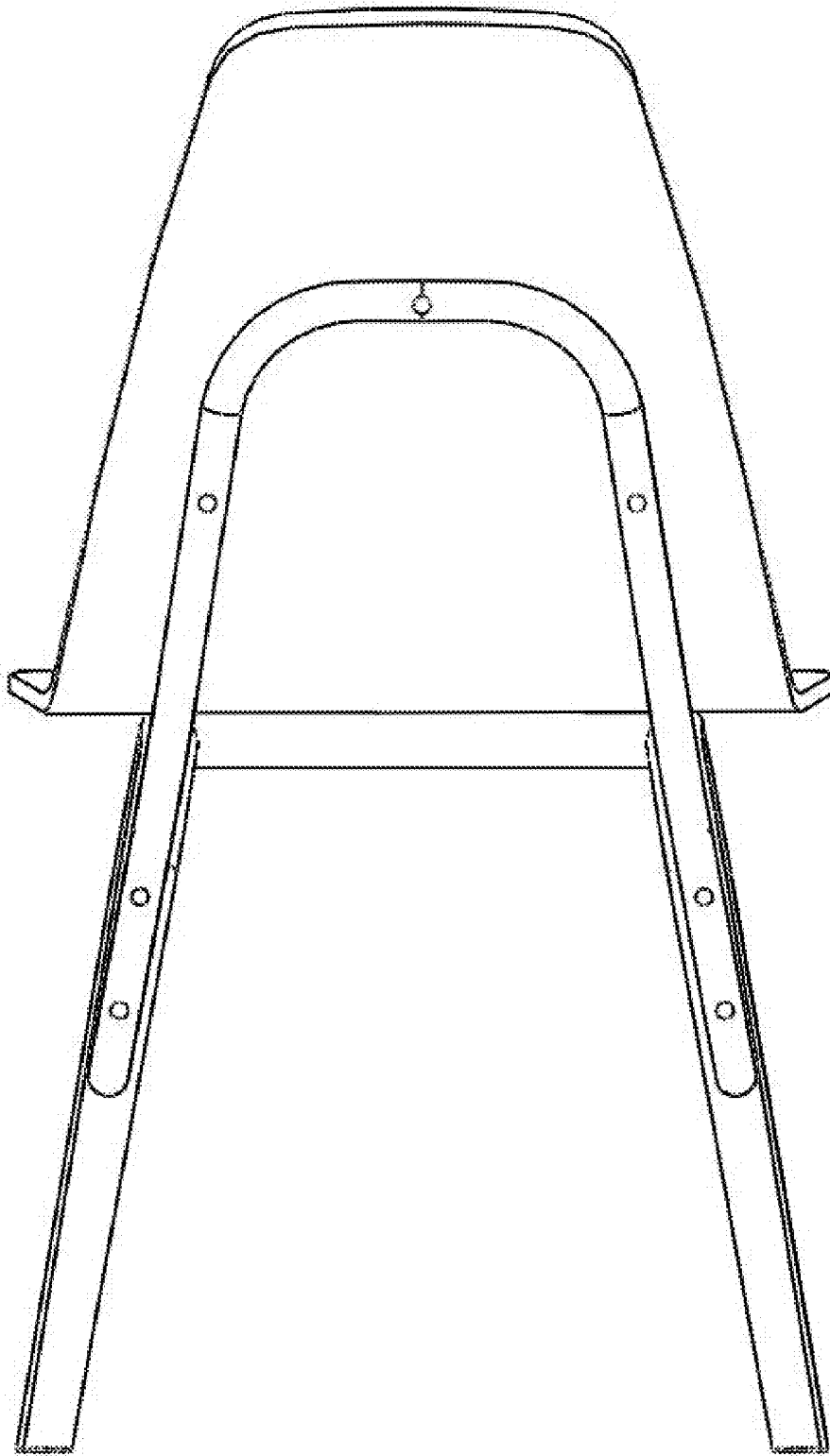


FIG. 3

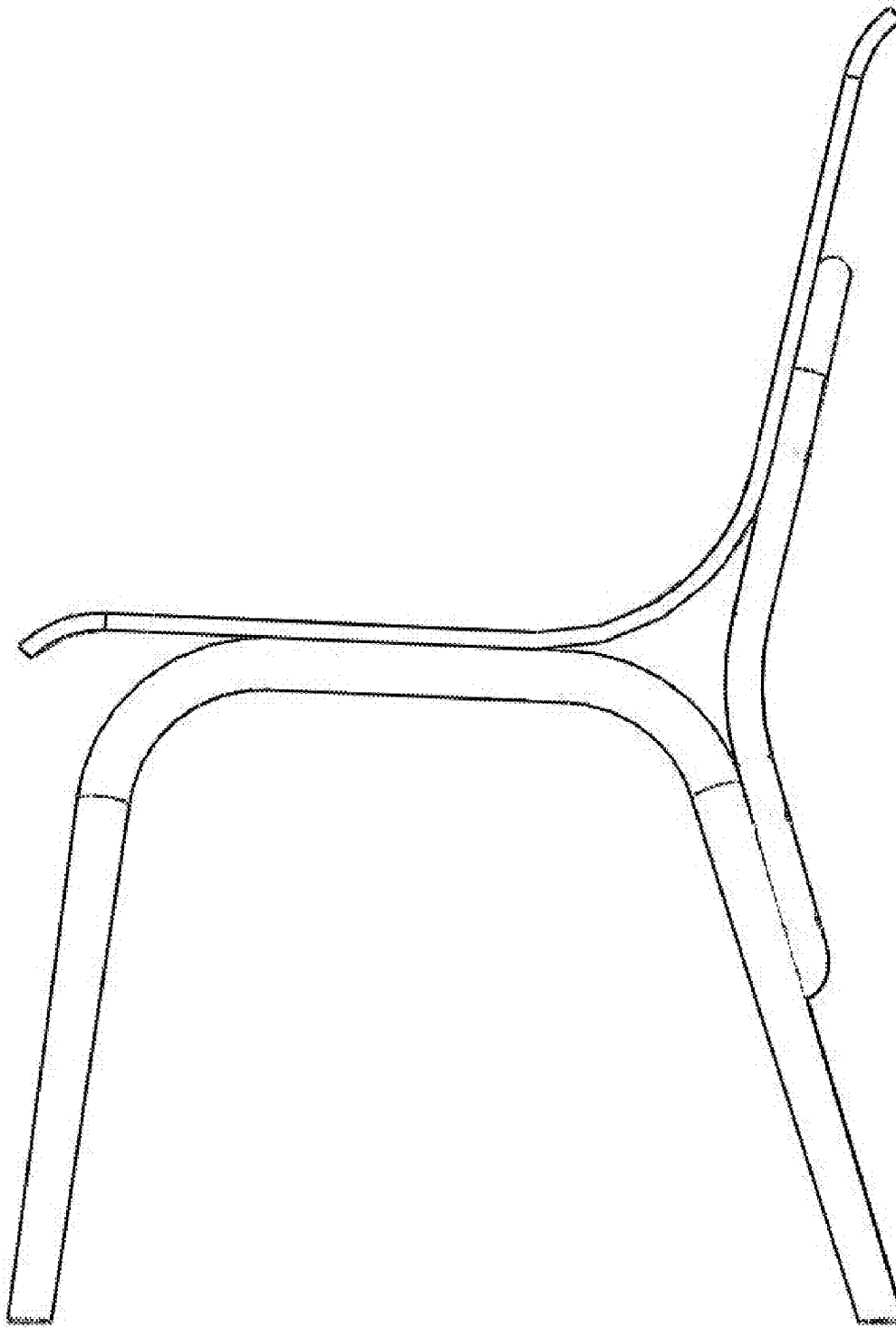


FIG. 4

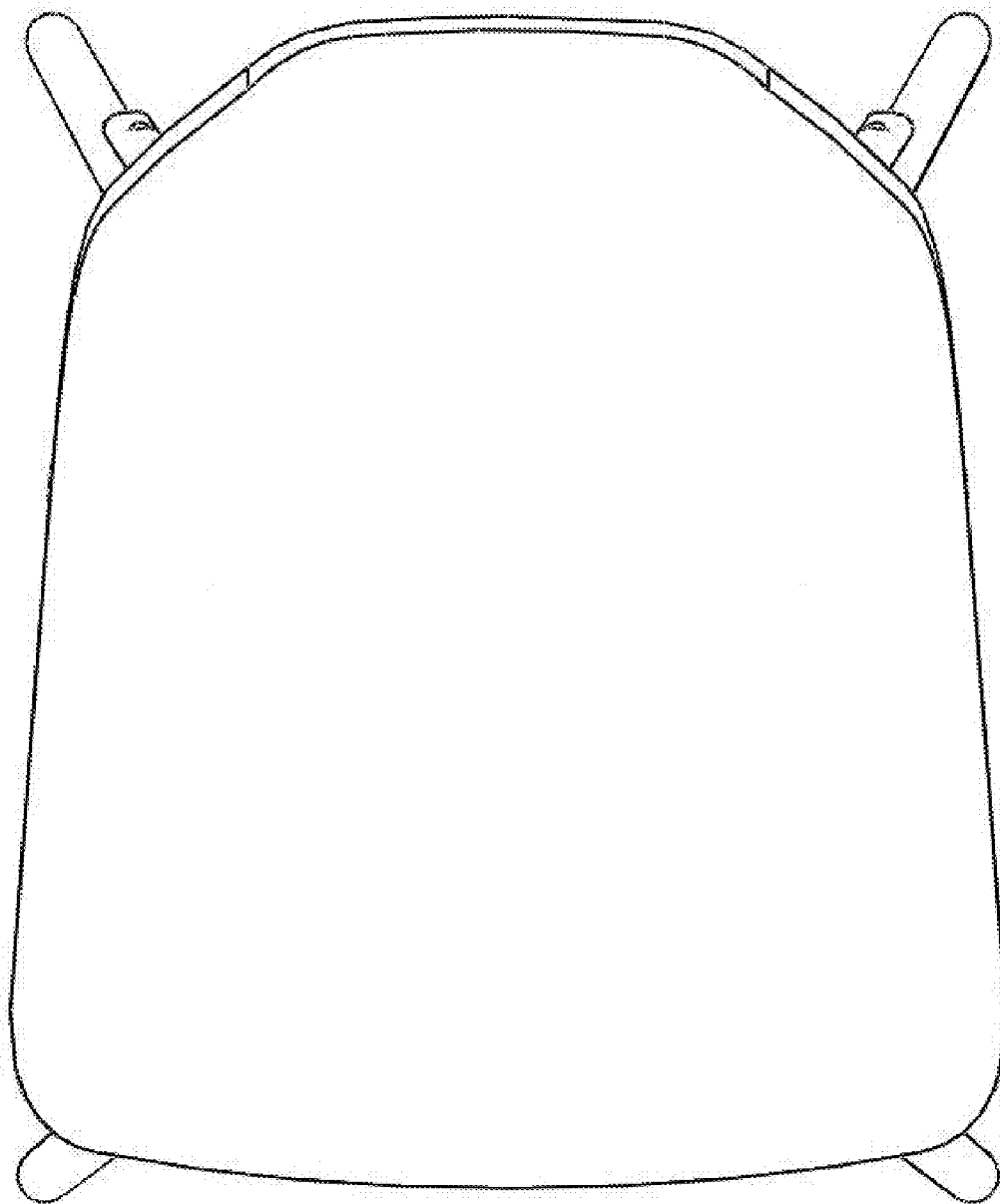


FIG. 5

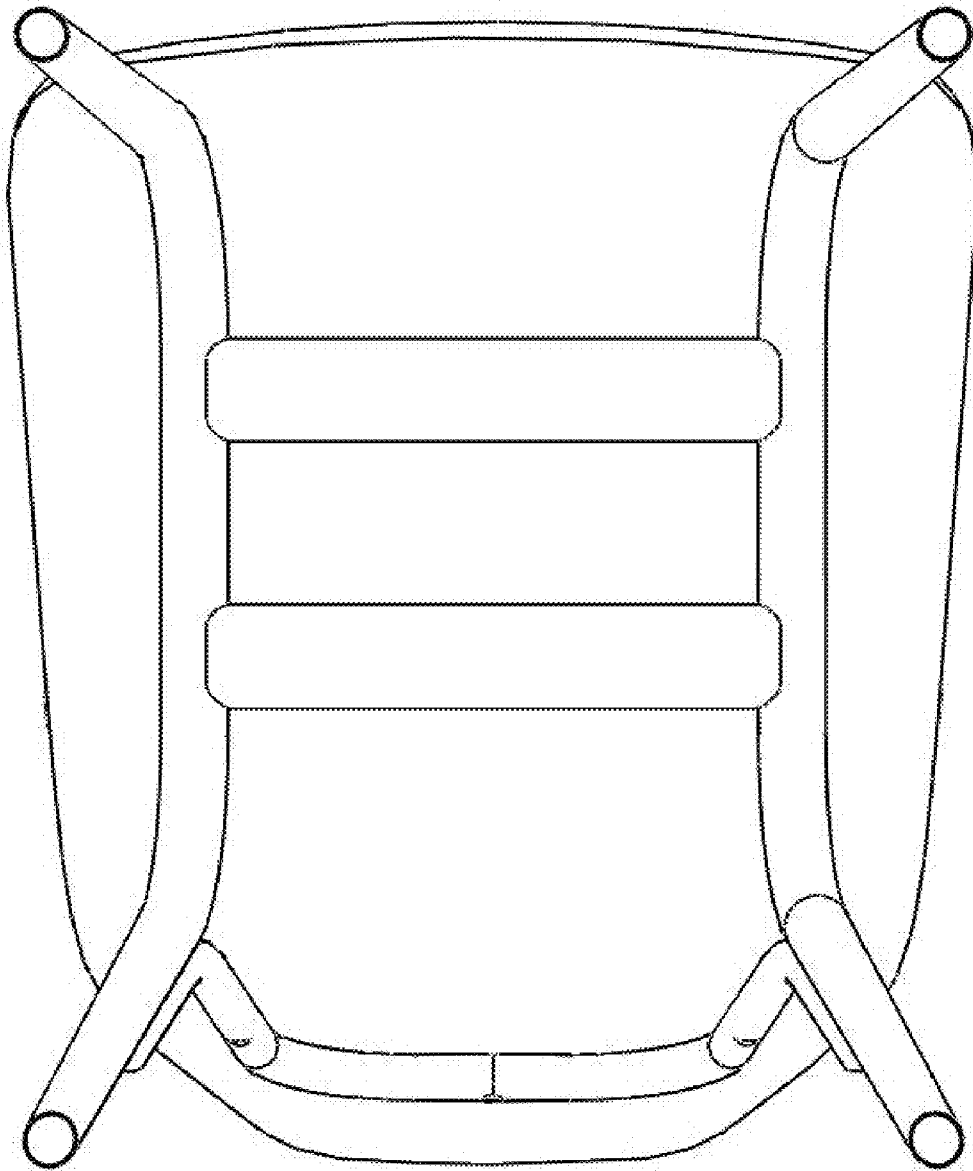


FIG. 6

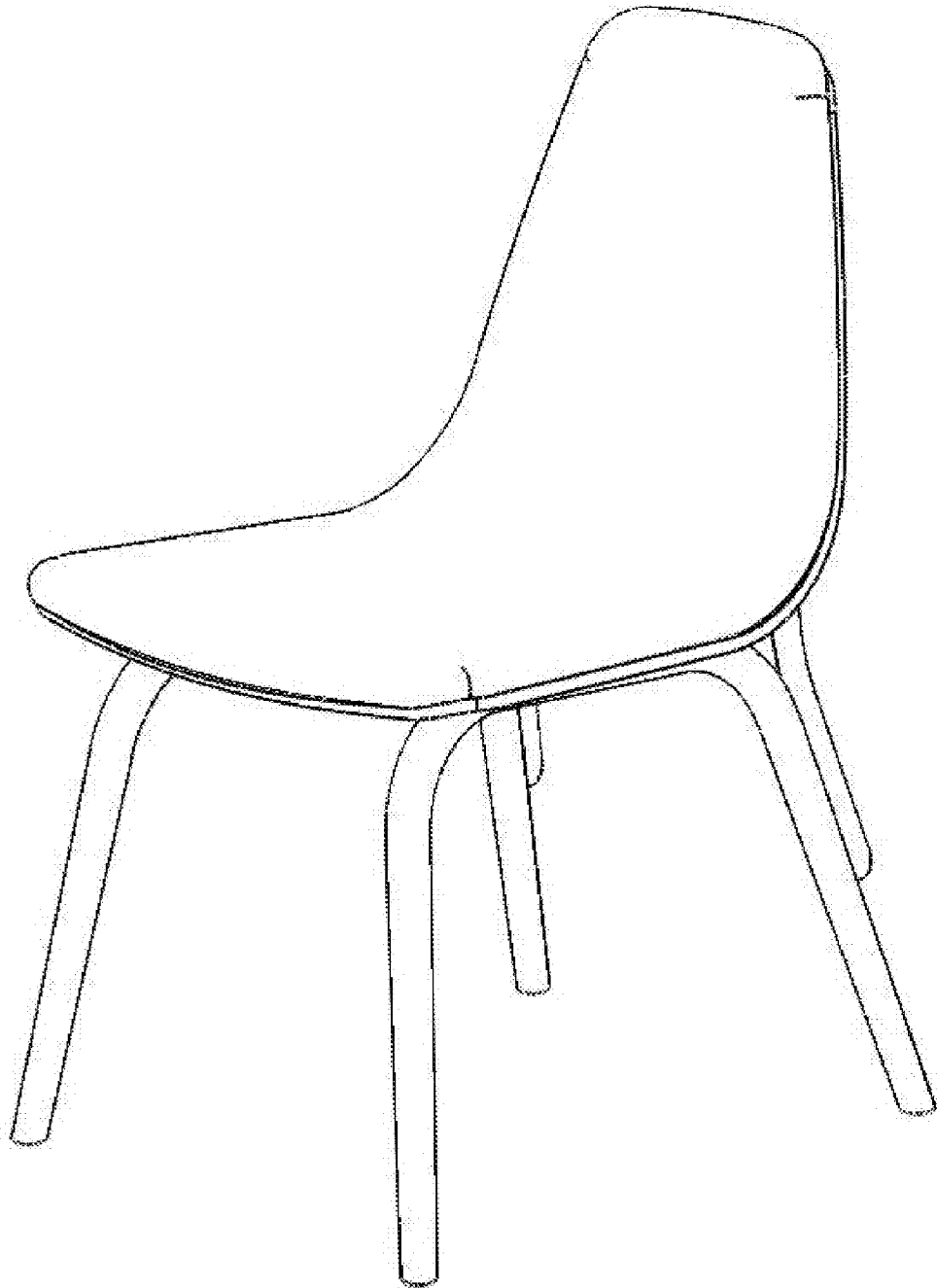


FIG. 7

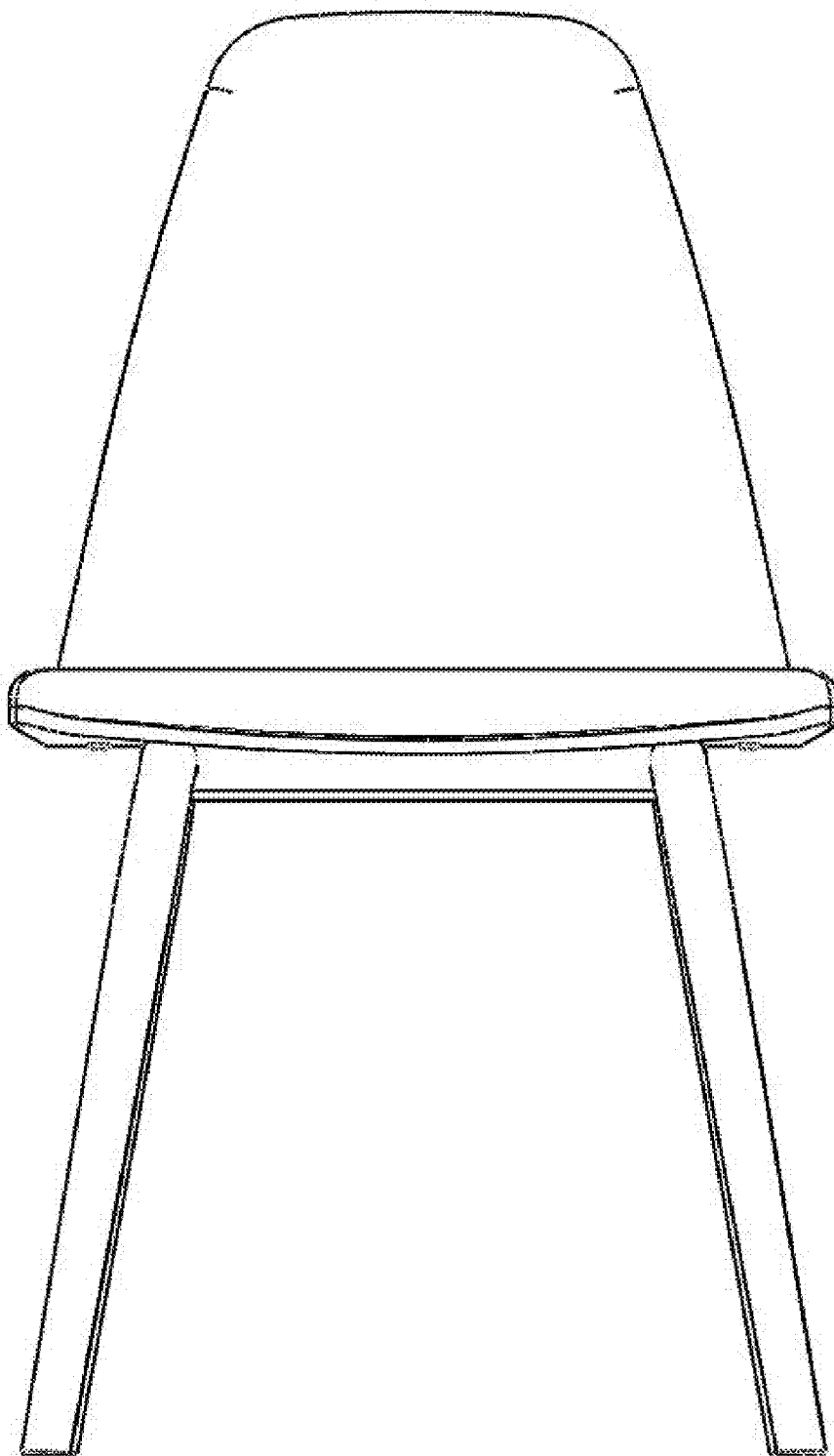


FIG. 8

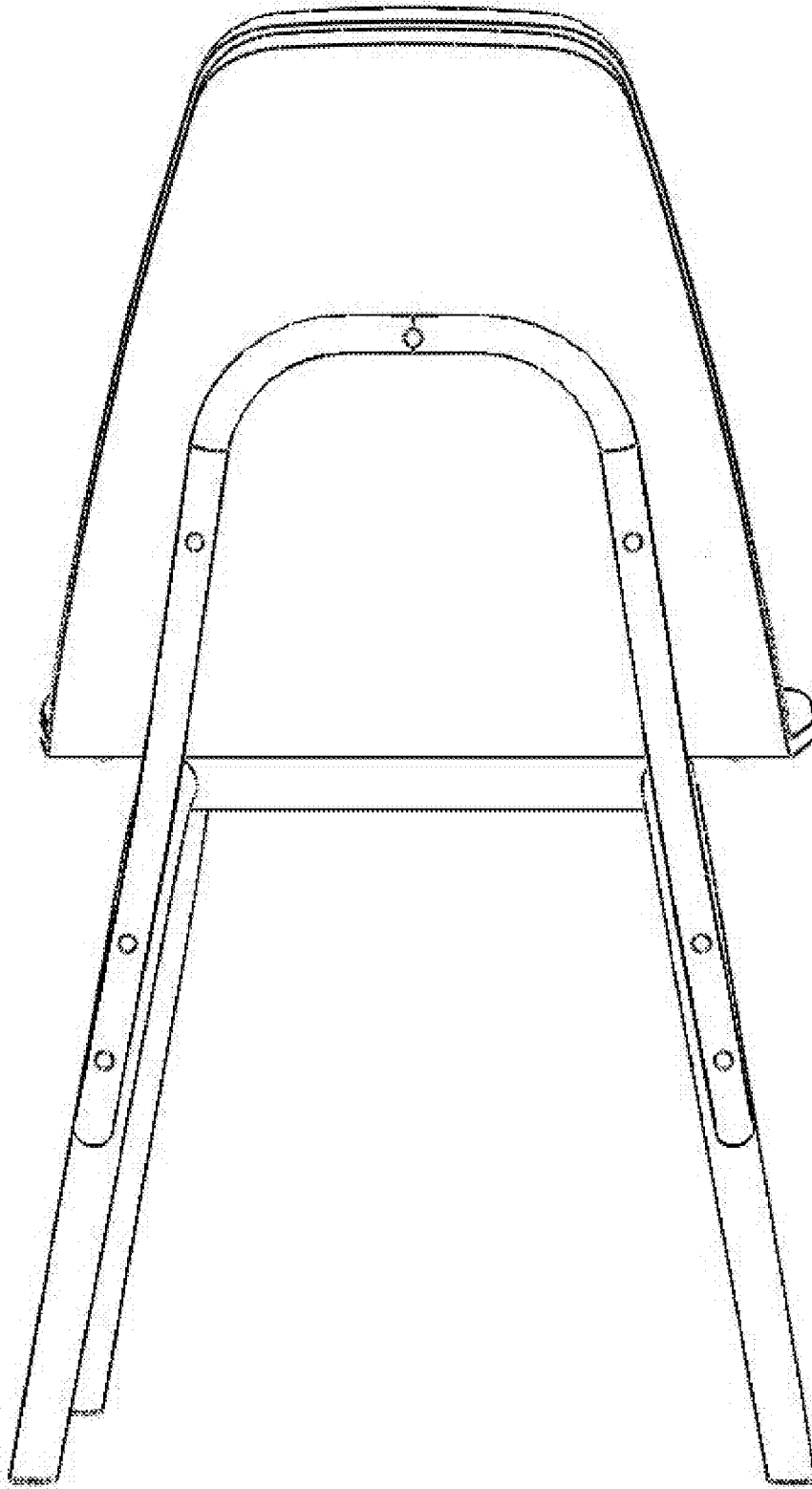


FIG. 9

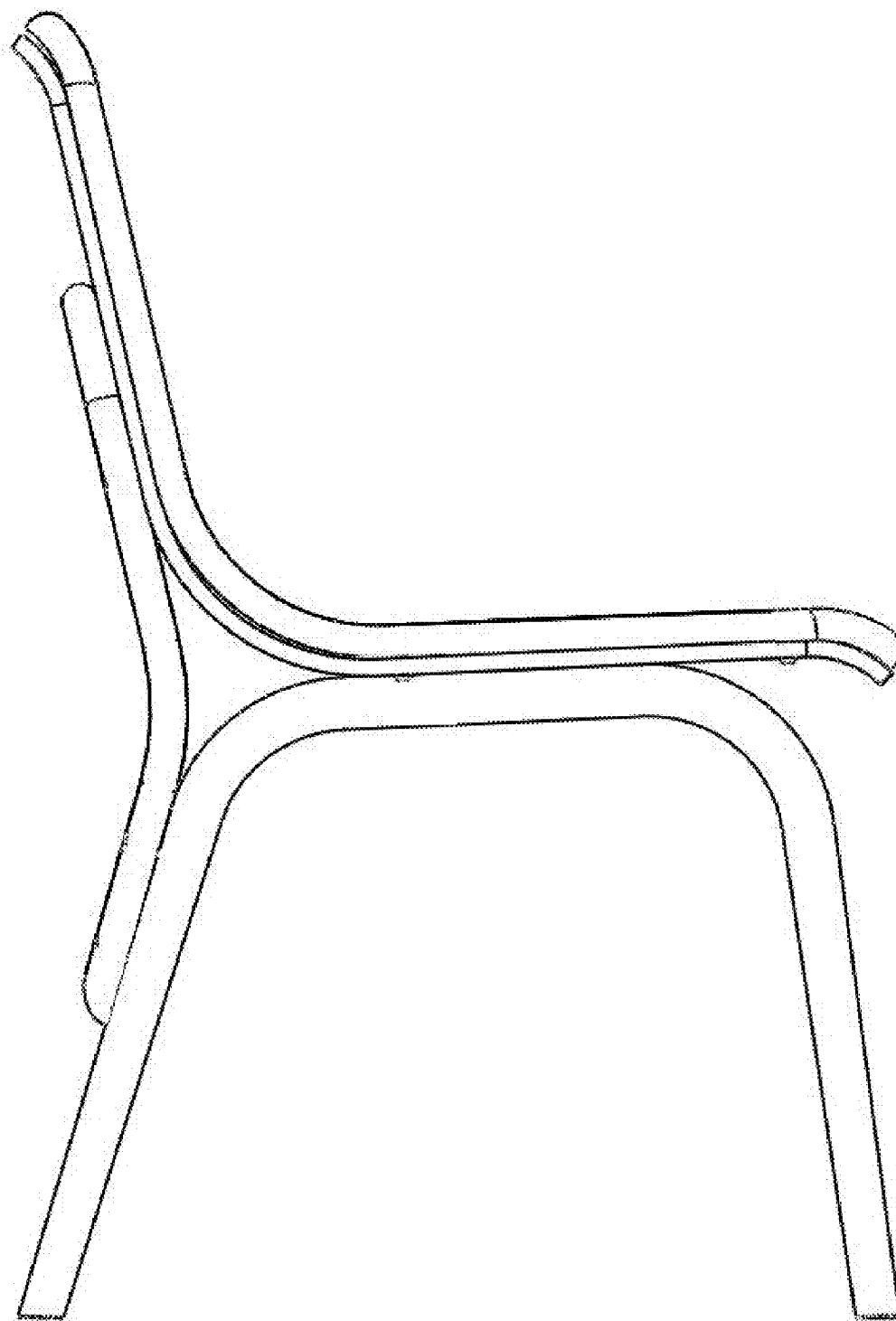


FIG. 10

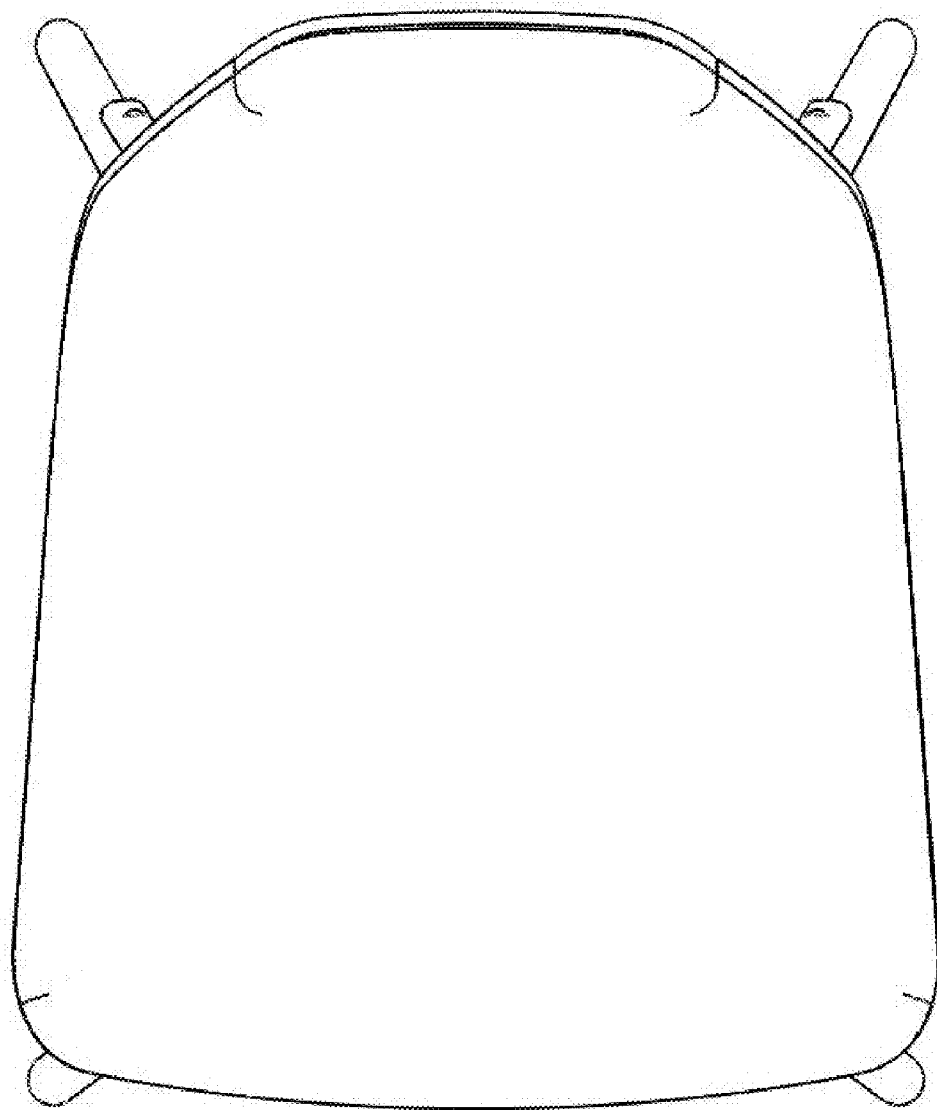


FIG. 11

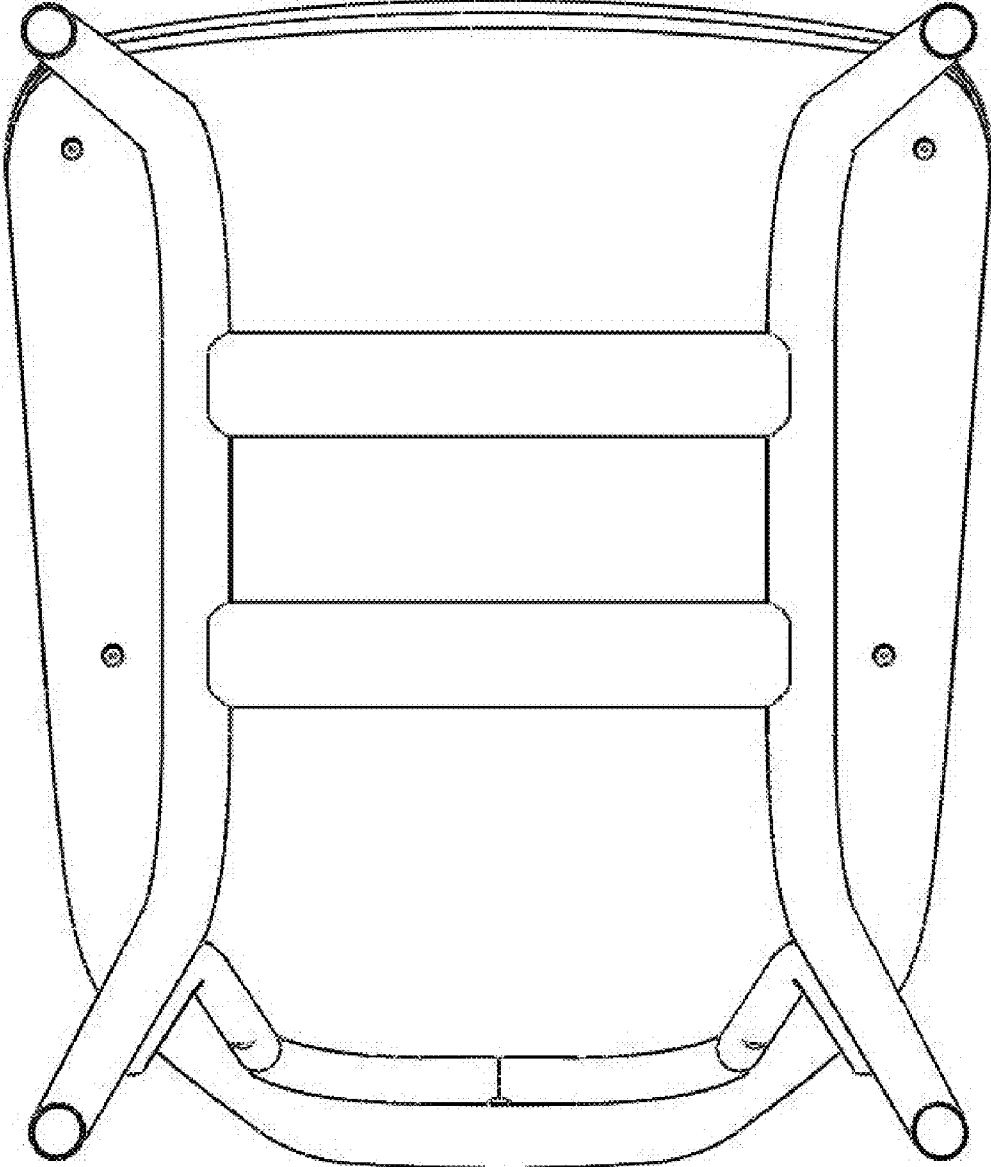


FIG. 12

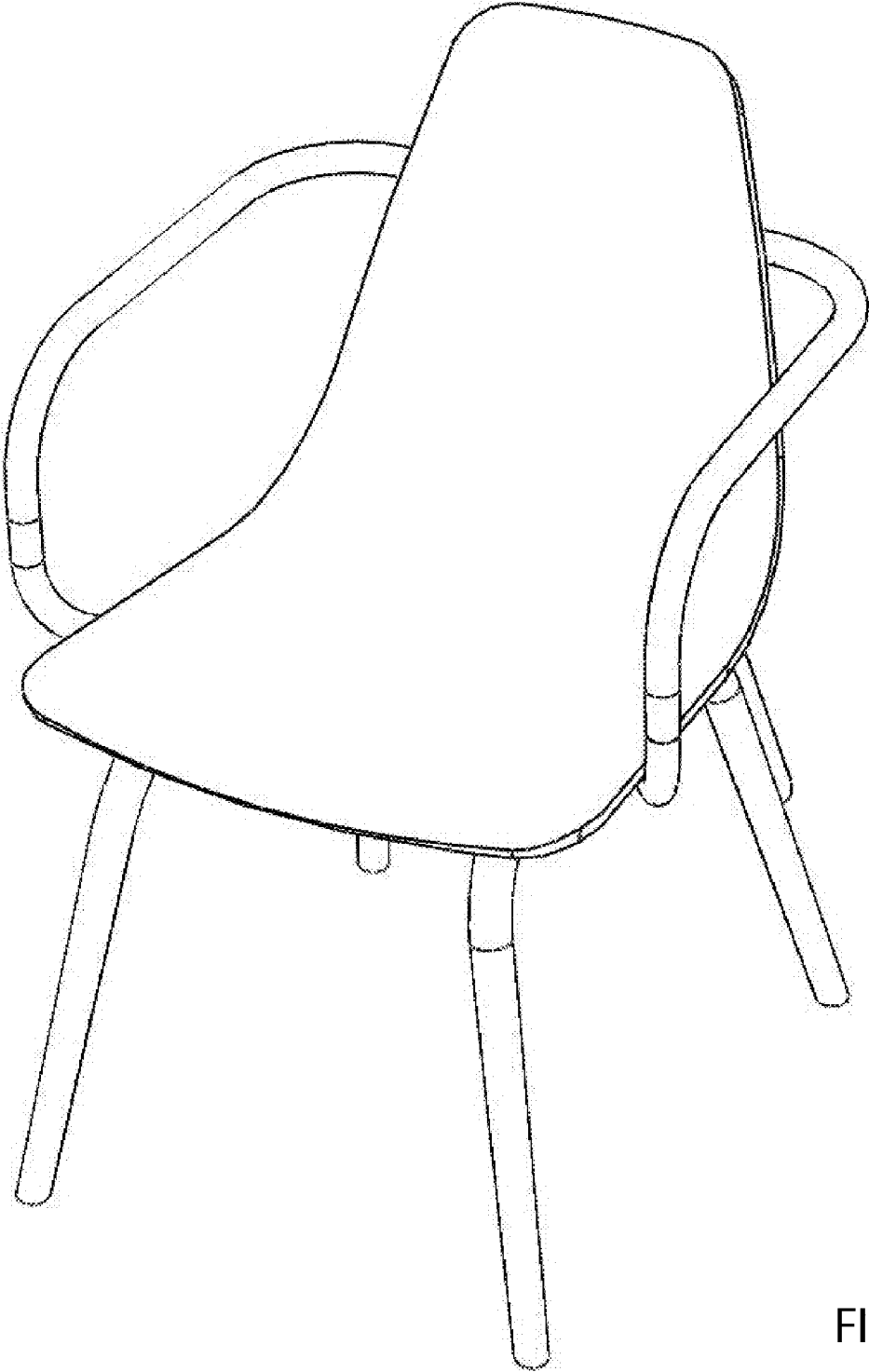


FIG. 13

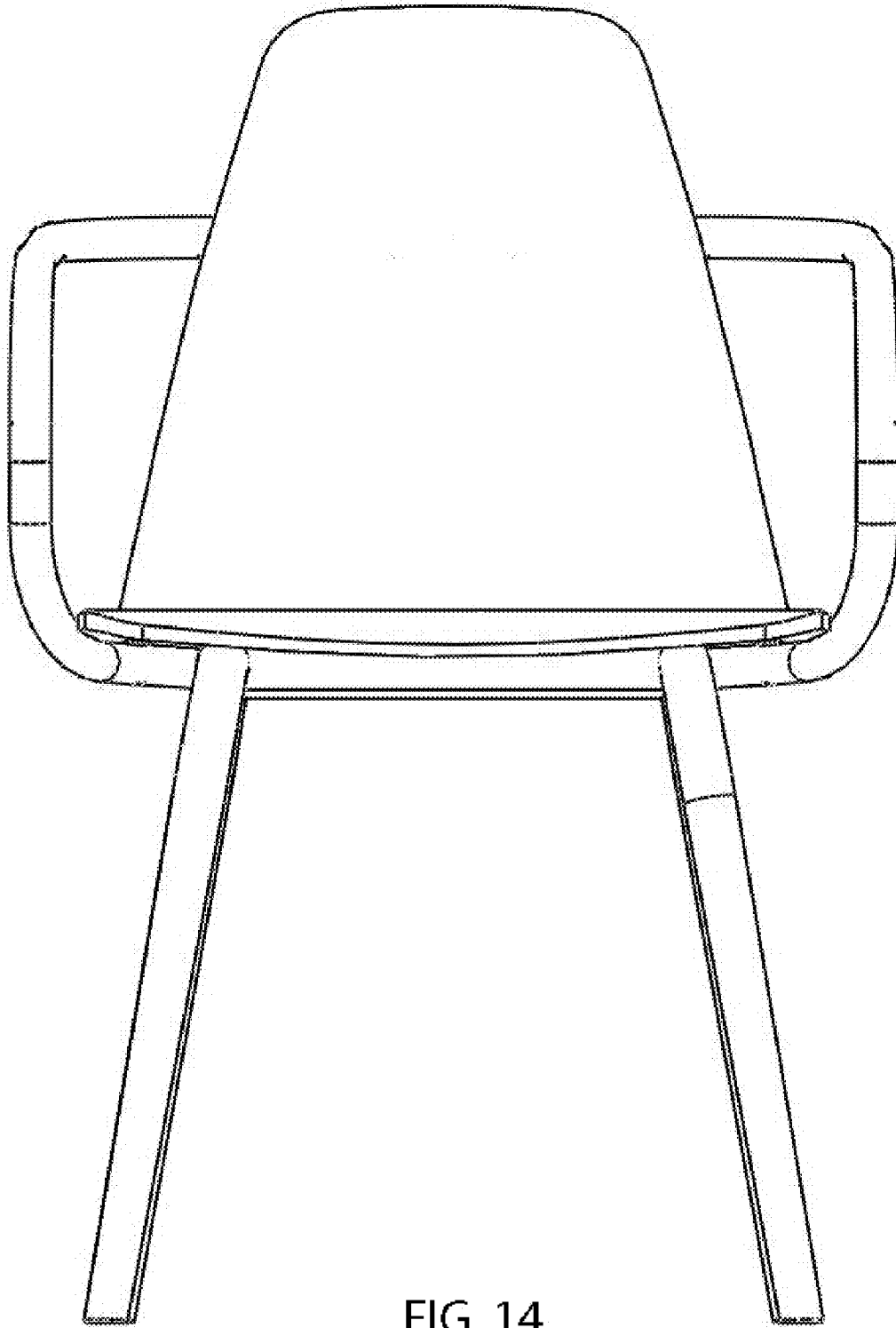


FIG. 14

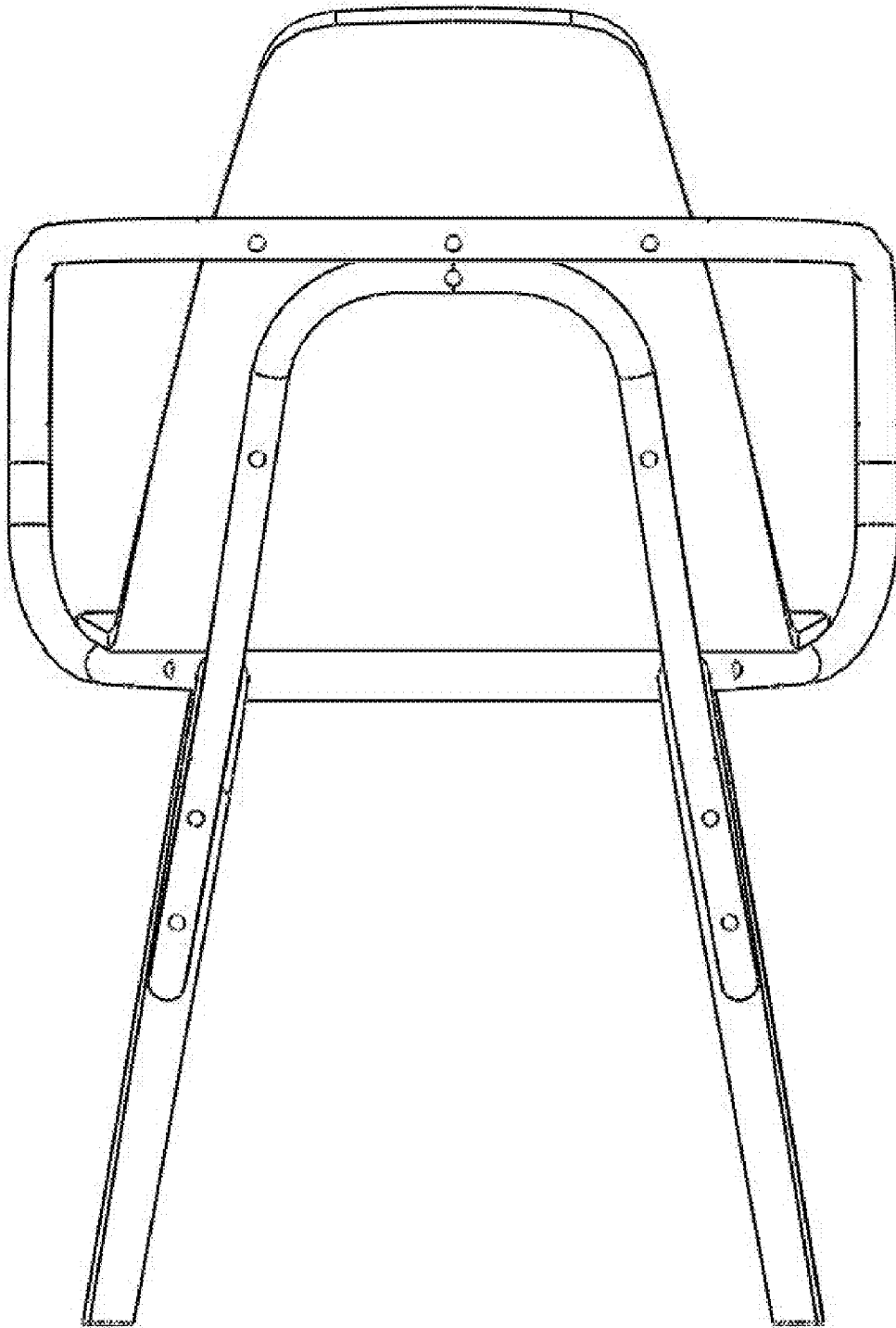


FIG. 15

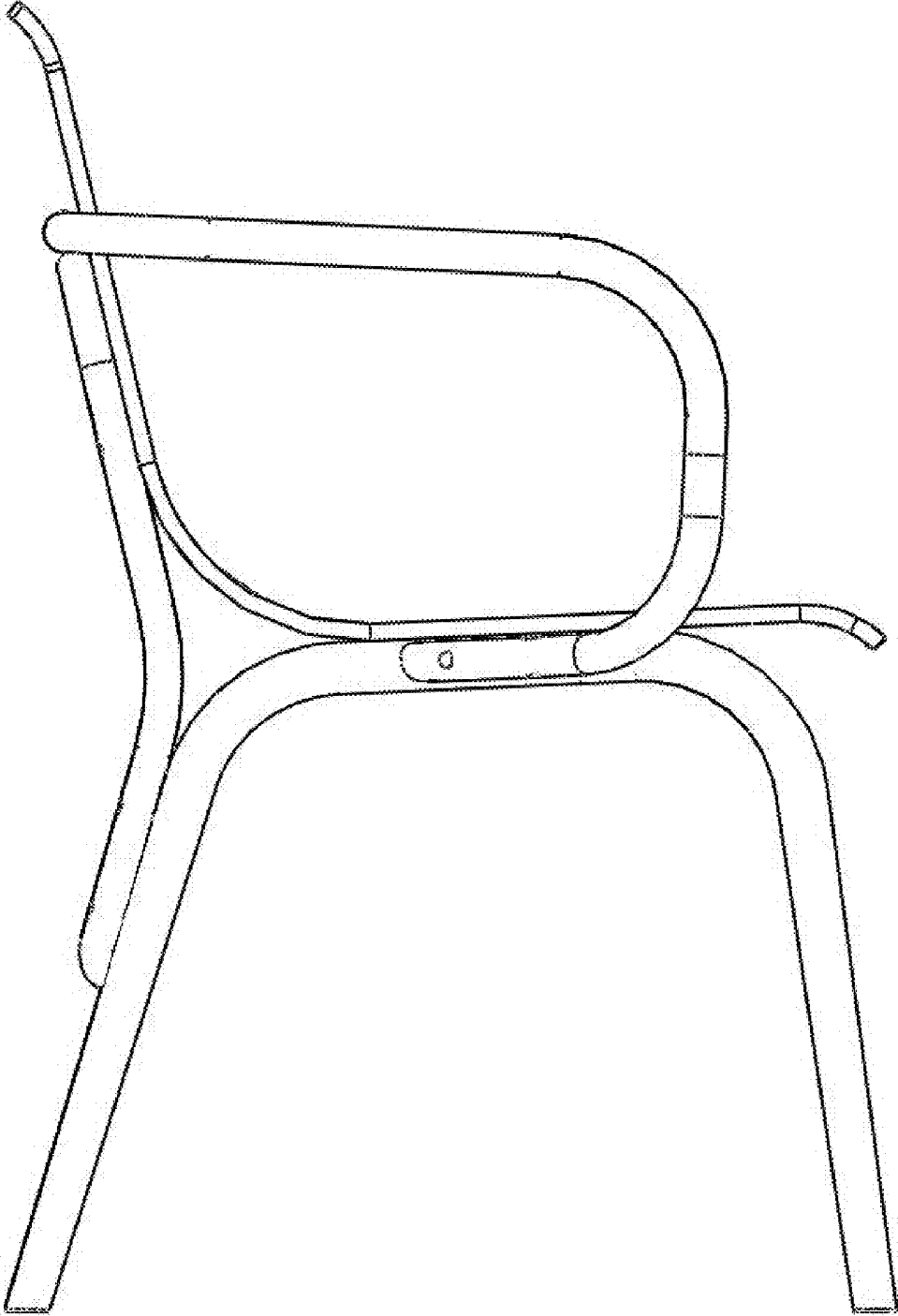


FIG. 16

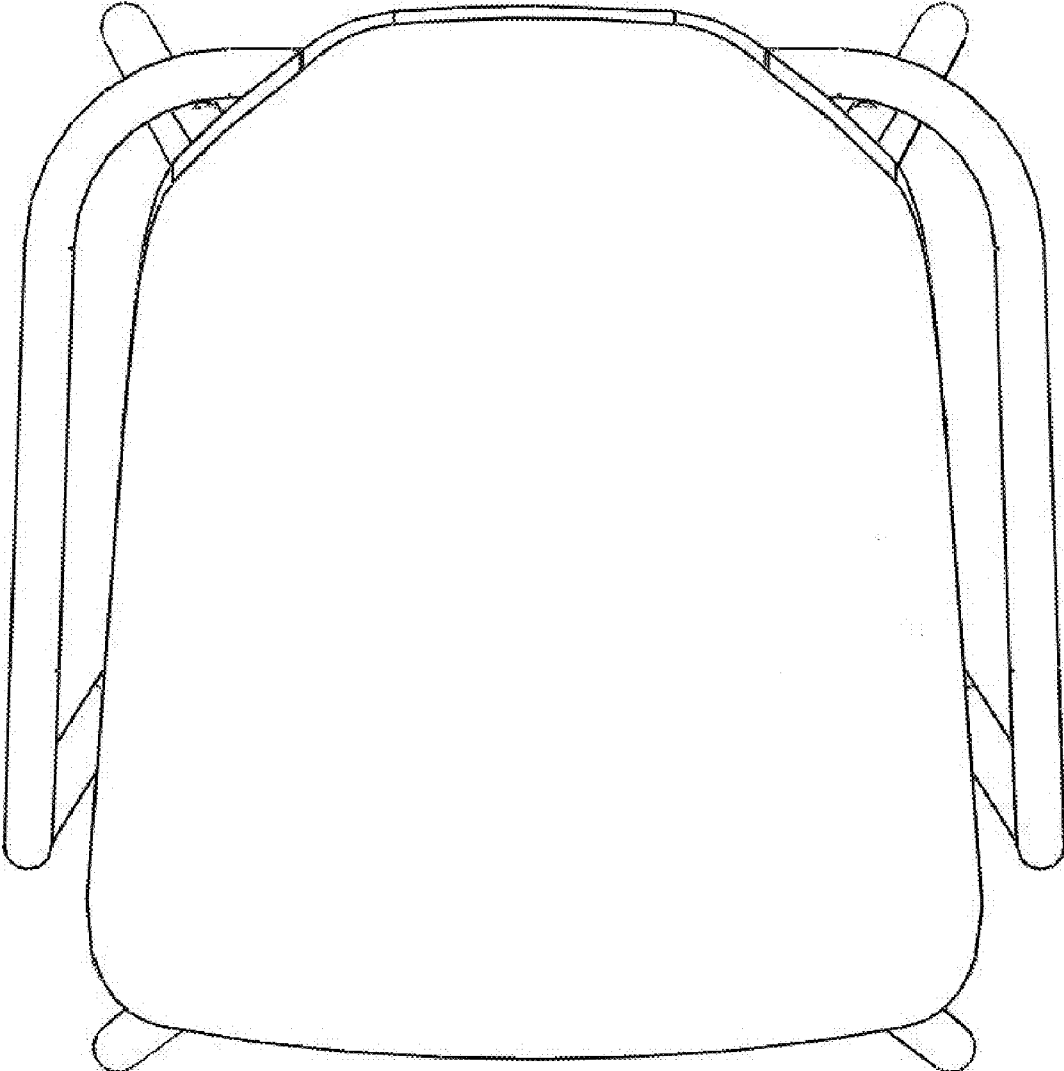


FIG. 17

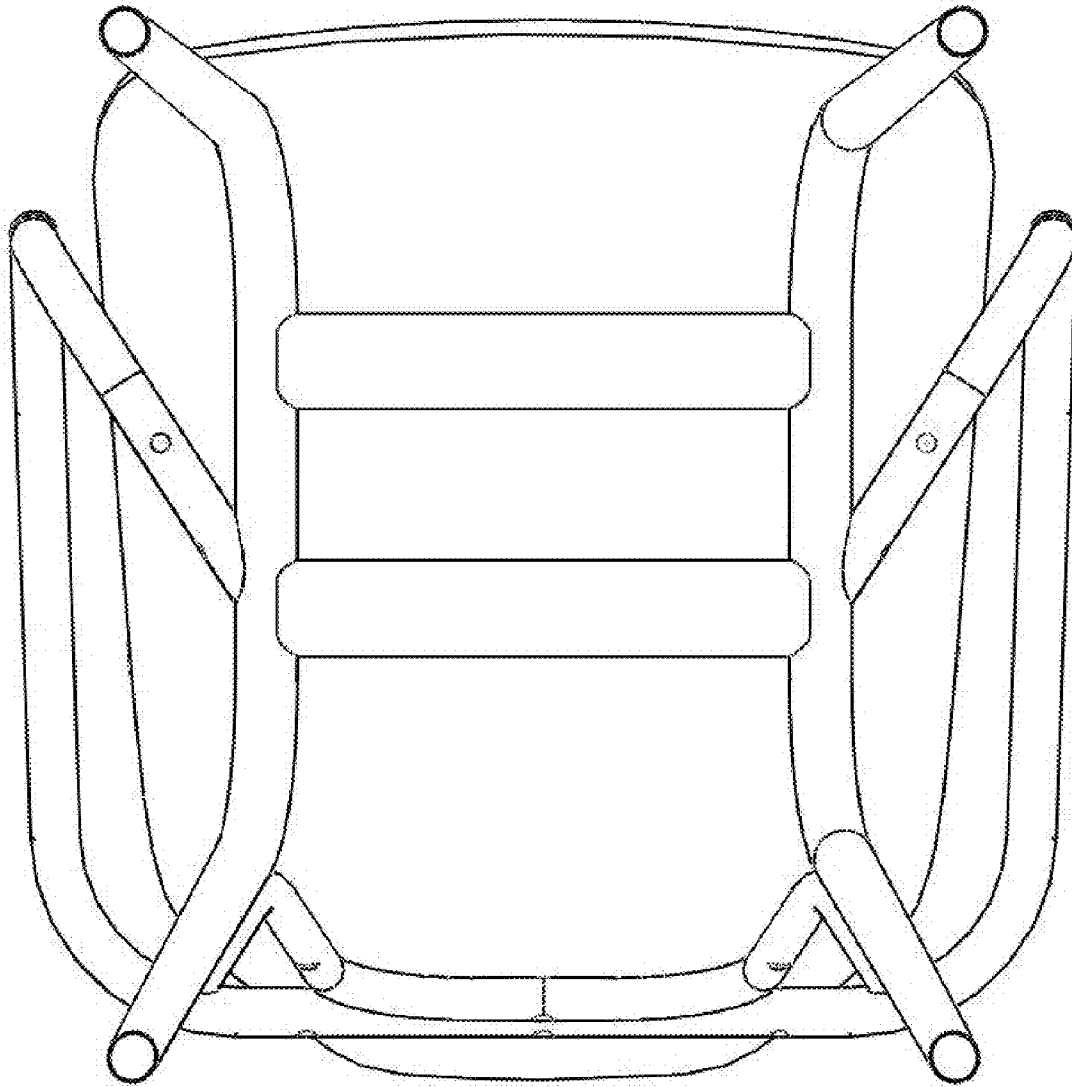


FIG. 18

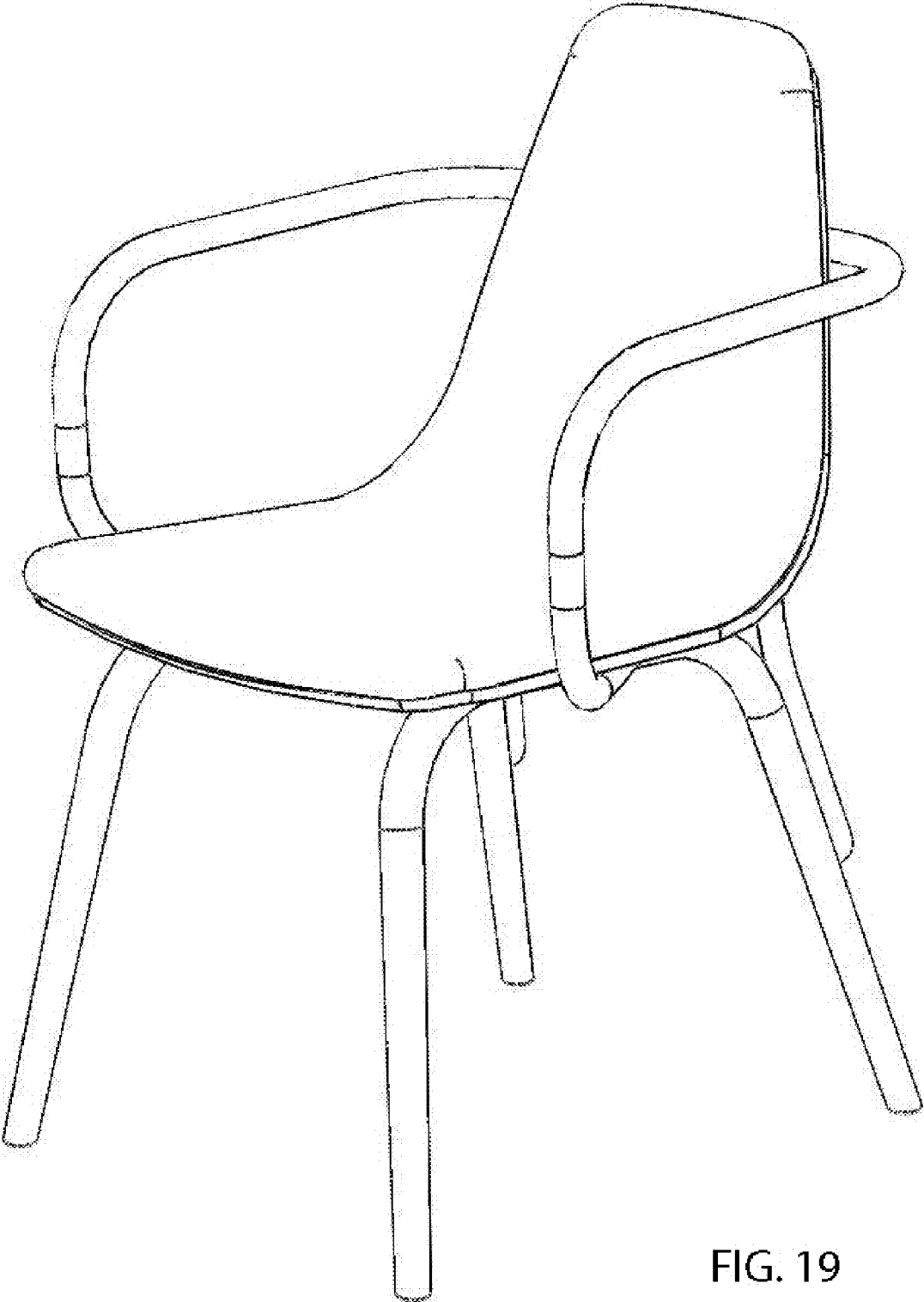


FIG. 19

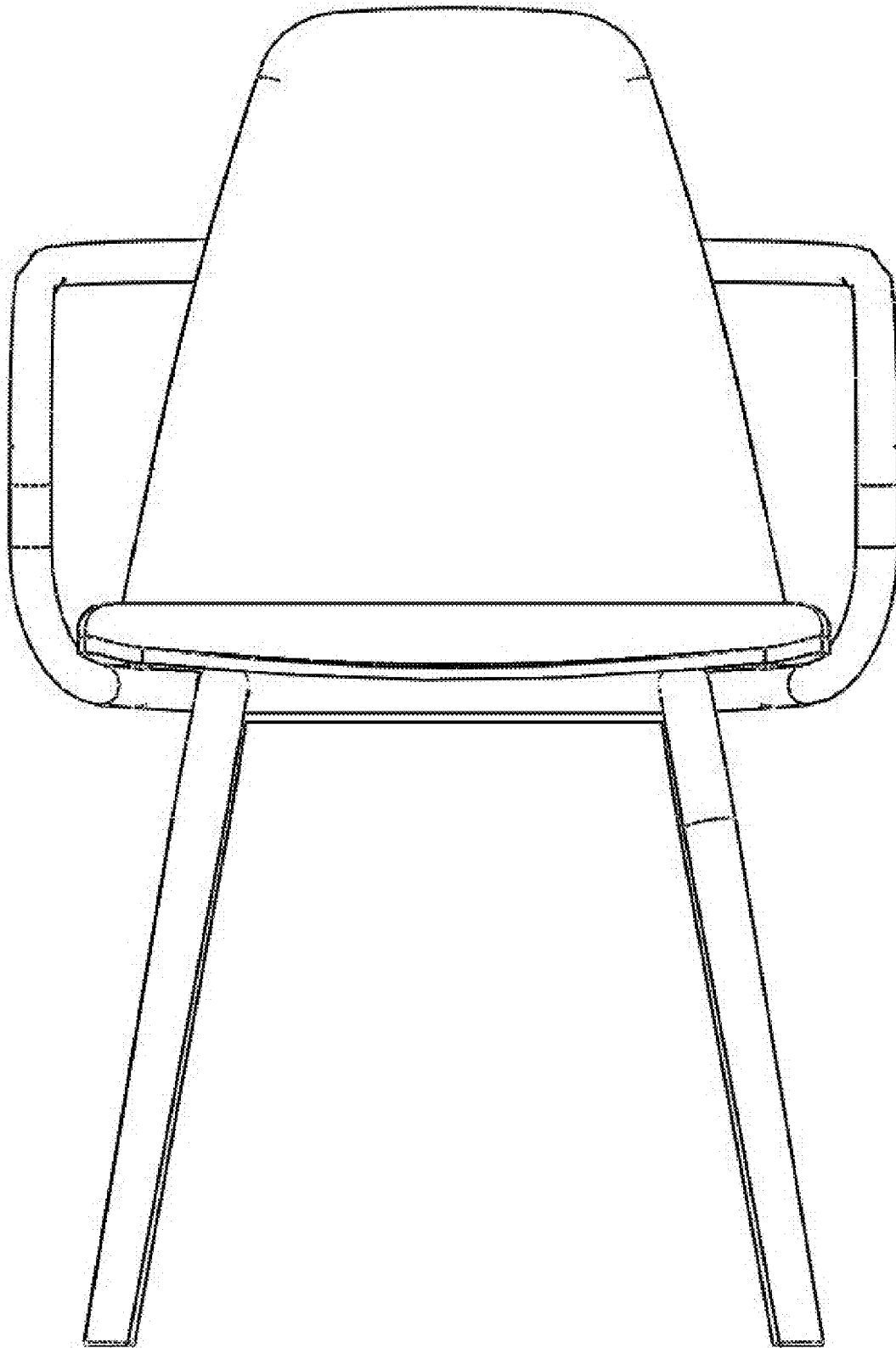


FIG. 20

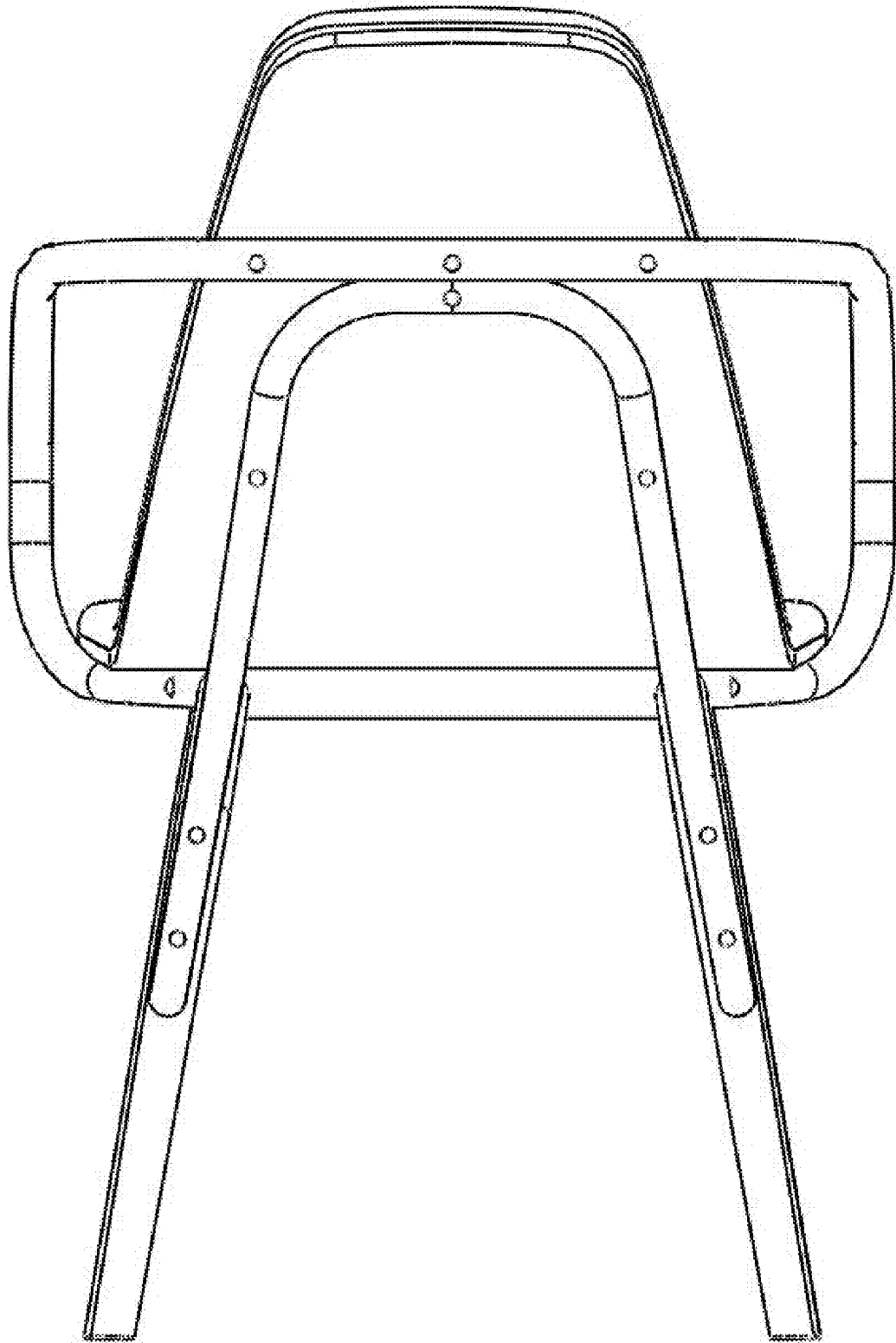


FIG. 21

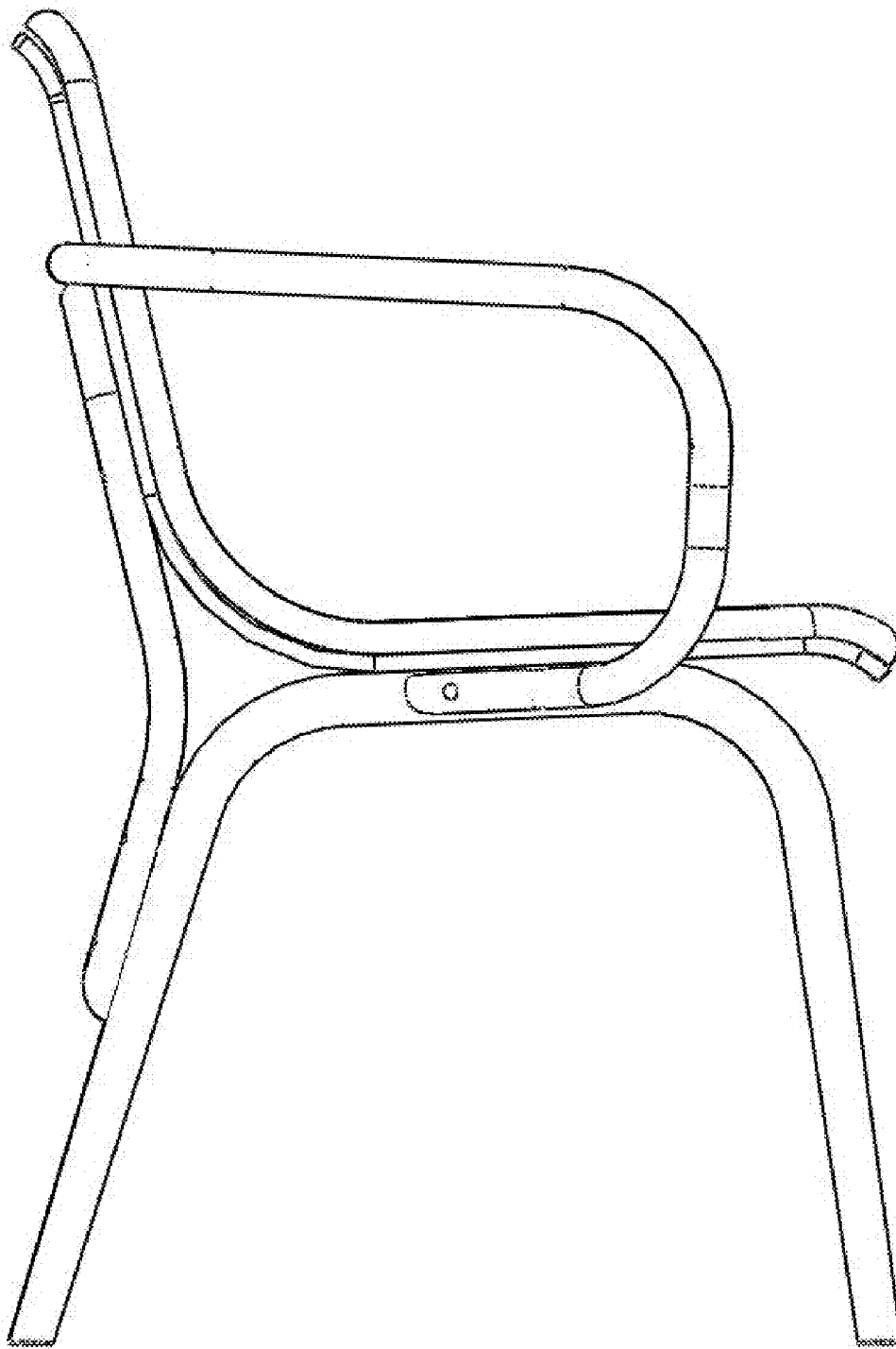


FIG. 22

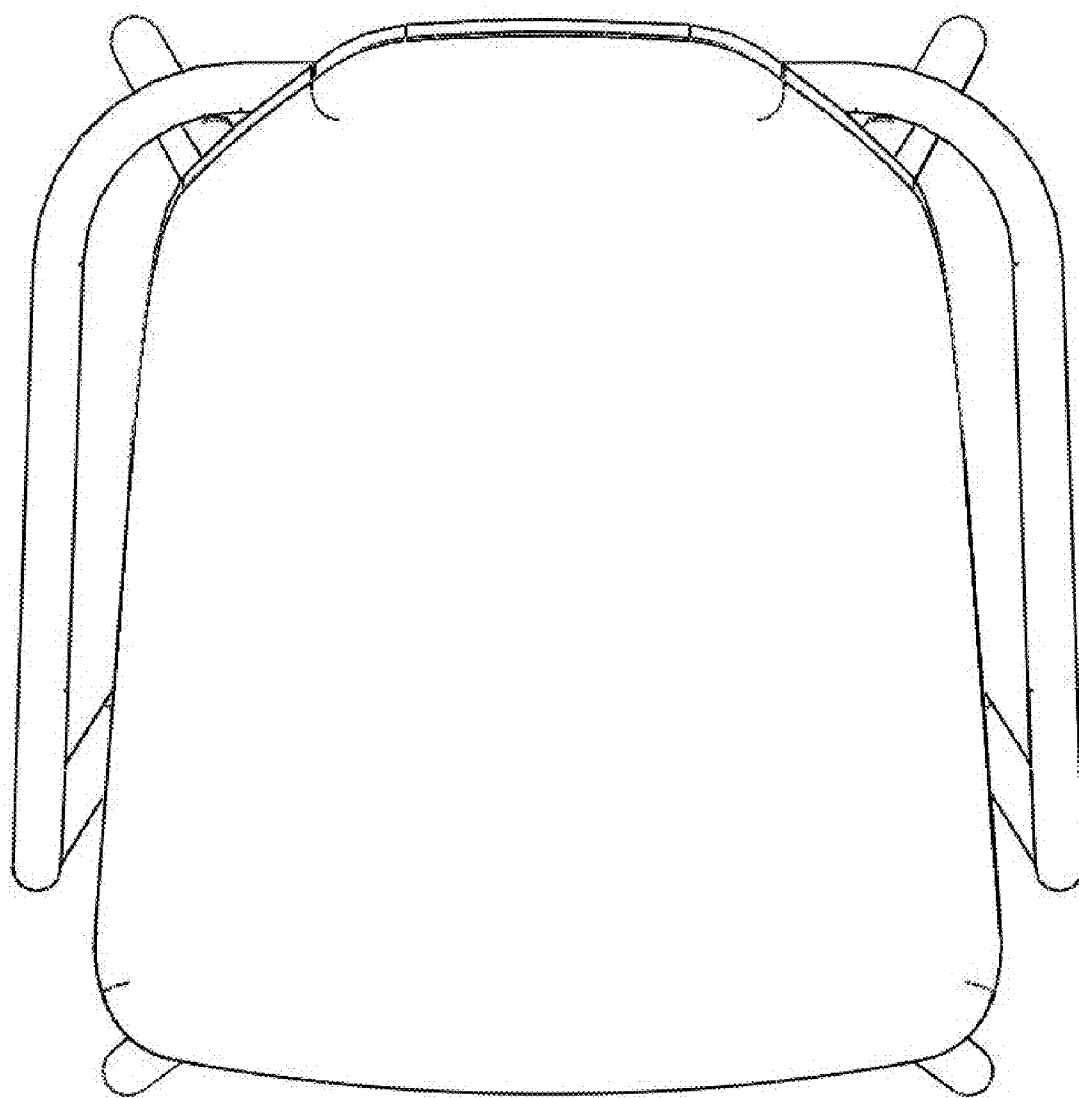


FIG. 23

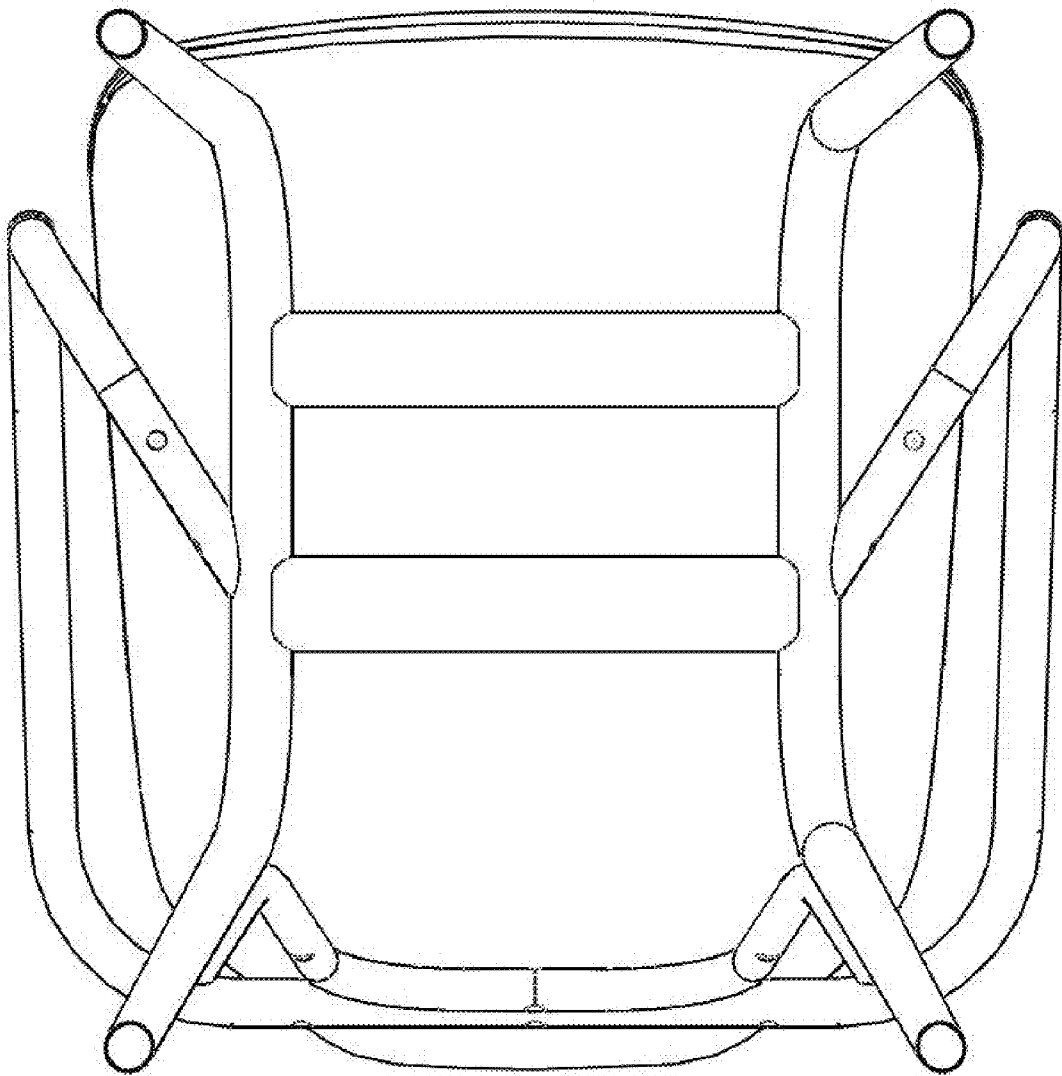


FIG. 24