



US00D830060S

(12) **United States Design Patent**
Kraemer

(10) **Patent No.:** **US D830,060 S**

(45) **Date of Patent:** **** Oct. 9, 2018**

(54) **ORGANIZER**

(71) Applicant: **InterDesign, Inc.**, Solon, OH (US)

(72) Inventor: **Kevin Francis Kraemer**, Chagrin Falls, OH (US)

(73) Assignee: **InterDesign, Inc.**, Solon, OH (US)

(**) Term: **15 Years**

(21) Appl. No.: **29/576,756**

(22) Filed: **Sep. 7, 2016**

Related U.S. Application Data

(63) Continuation of application No. 29/487,228, filed on Apr. 7, 2014, now Pat. No. Des. 767,950.

(51) **LOC (11) Cl.** **03-01**

(52) **U.S. Cl.**
USPC **D3/310**

(58) **Field of Classification Search**
USPC D3/201, 206, 304-315; D6/672, 675; D19/75, 77, 86, 90, 92, 100
CPC B65D 1/24; B65D 1/34; B65D 1/36; A45C 11/34; B44D 3/04
See application file for complete search history.

(56) **References Cited**

U.S. PATENT DOCUMENTS

D310,896 S * 9/1990 Winjum D3/313
D367,172 S * 2/1996 Brightbill D3/310

D549,456 S * 8/2007 Dretzka D3/304
D549,457 S * 8/2007 Dretzka D3/304
D689,941 S * 9/2013 Hu D19/77
D707,501 S * 6/2014 Breuss D7/641
D708,852 S * 7/2014 Ghiorgie D3/310
D713,146 S * 9/2014 Ghiorgie D3/304
D731,256 S * 6/2015 Hu D7/637
D746,594 S * 1/2016 Ghiorgie D3/313
D746,643 S * 1/2016 Kraemer D7/637

* cited by examiner

Primary Examiner — Kelley Donnelly

(74) *Attorney, Agent, or Firm* — Calfee, Halter & Griswold, LLP

(57) **CLAIM**

I claim the ornamental design for an organizer, as shown and described.

DESCRIPTION

FIG. 1 is a front/left/top perspective view of an organizer; FIG. 2 is front/right/bottom perspective view thereof; FIG. 3 is a front elevation view thereof; FIG. 4 is a top plan view thereof; FIG. 5 is a right side elevation view thereof; and, FIG. 6 is a bottom plan view thereof. The broken lines depict portions of the article that form no part of the claimed design.

1 Claim, 3 Drawing Sheets

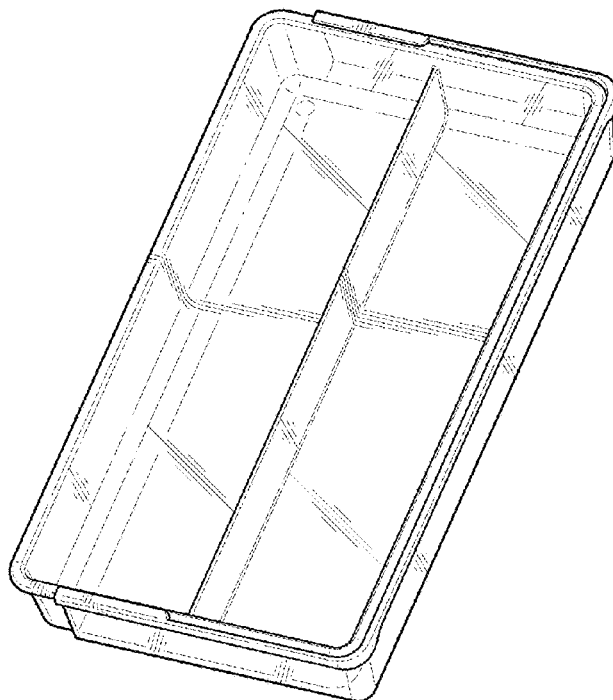


FIG. 1

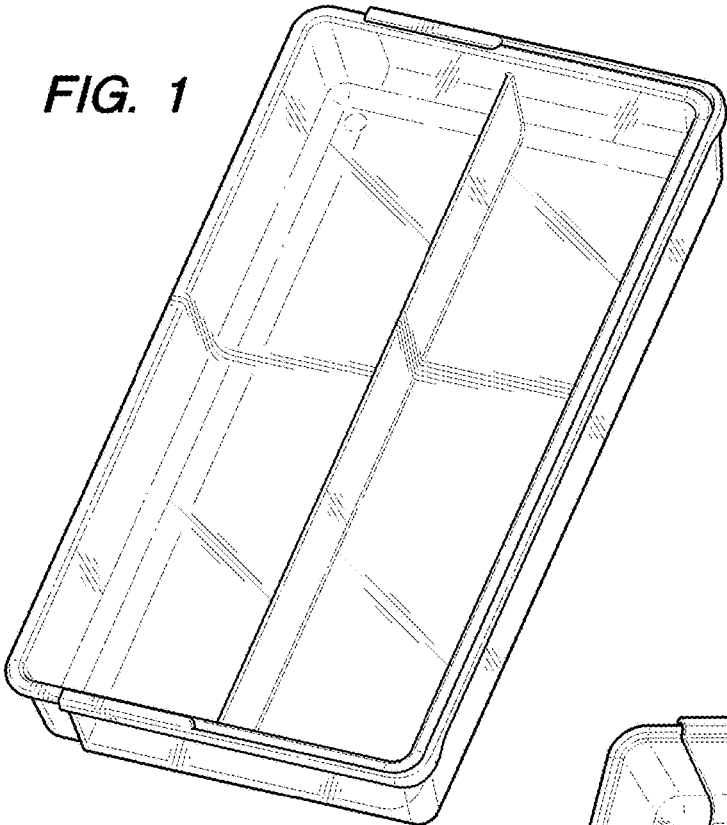


FIG. 2

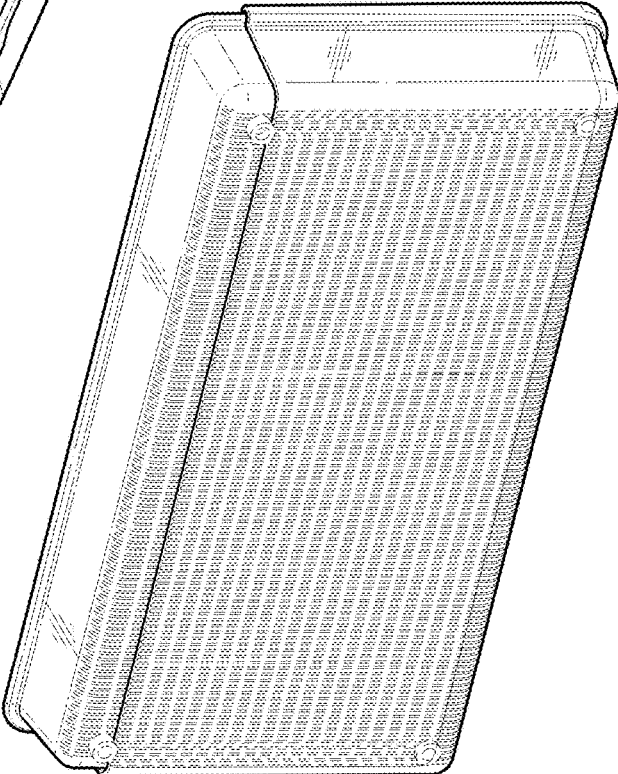


FIG. 3

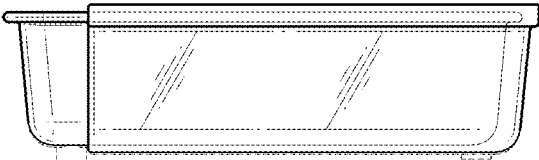


FIG. 4

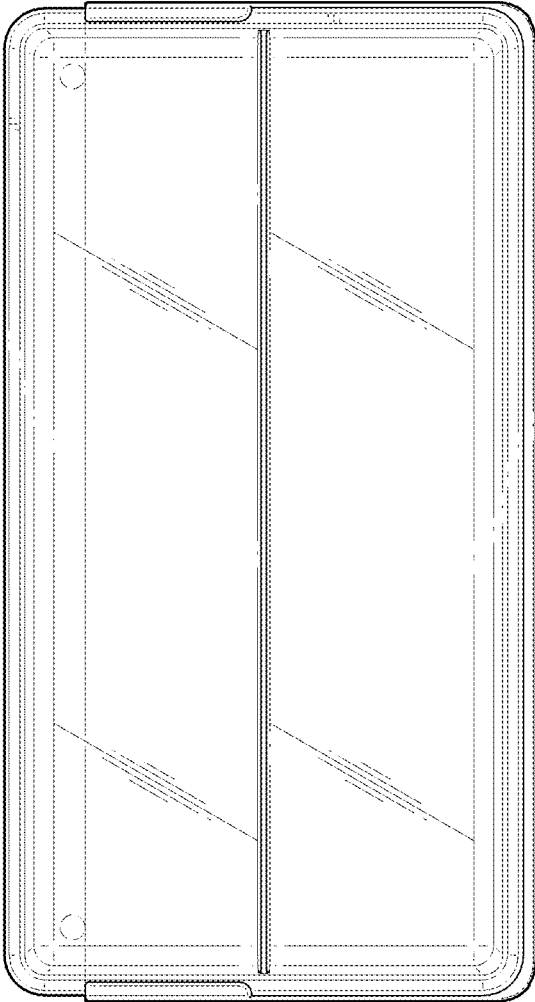


FIG. 5

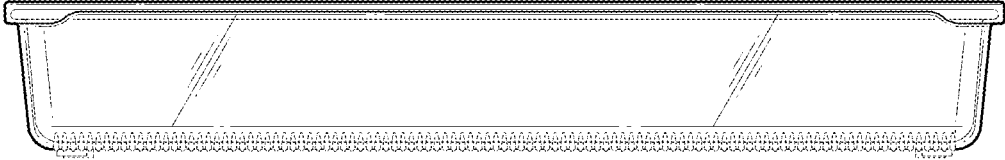


FIG. 6

