



US00D776423S

(12) **United States Design Patent**  
**Zhou et al.**

(10) **Patent No.:** **US D776,423 S**

(45) **Date of Patent:** **\*\* Jan. 17, 2017**

(54) **CARRYING CASE FOR MEDICAL DELIVERY DEVICE**

FOREIGN PATENT DOCUMENTS

CN 302003508 7/2012  
EM 001699448-0001 5/2010

(Continued)

(71) Applicant: **ABBVIE INC.**, North Chicago, IL (US)

(72) Inventors: **Ji Zhou**, Lake Villa, IL (US); **Shawn Malloy**, Chicago, IL (US); **Grant Whitney**, Chicago, IL (US); **Rajkumar Conjeevaram**, Lake Bluff, IL (US); **Phil Anderson**, Libertyville, IL (US); **David Lacewell**, Naperville, IL (US); **Mehdi Megdoud**, Antony (FR); **Mikael Tutschke-Saettler**, Moehlin (CH); **Damon Vaughan**, Chicago, IL (US); **Derek Leatzow**, Chicago, IL (US); **Sean Corrigan**, Chicago, IL (US); **John White**, Chicago, IL (US); **Michael Lau**, Chicago, IL (US)

OTHER PUBLICATIONS

Advantages of a Police Outer Vest Carrier, Announced Oct. 8, 2013, [Site Visited Mar. 28, 2016] <http://www.blauer.com/dispatch/advantages-of-a-police-outer-vest-carrier/>.

(Continued)

*Primary Examiner* — George D Kirschbaum  
*Assistant Examiner* — Jennifer Watkins  
(74) *Attorney, Agent, or Firm* — Baker Botts L.L.P.

(57) **CLAIM**

The ornamental design for a carrying case for medical delivery device, as shown and described.

**DESCRIPTION**

FIG. 1 is a perspective view of our design for a carrying case for medical delivery device.  
FIG. 2 is a front view of the carrying case for medical delivery device of FIG. 1.  
FIG. 3 is a rear view of the carrying case for medical delivery device of FIG. 1.  
FIG. 4 is a left side view of the carrying case for medical delivery device of FIG. 1.  
FIG. 5 is a right side view of the carrying case for medical delivery device of FIG. 1.  
FIG. 6 is a top view of the carrying case for medical delivery device of FIG. 1.  
FIG. 7 is a bottom view of the carrying case for medical delivery device of FIG. 1; and,  
FIG. 8 is a perspective view of the carrying case for medical delivery device of FIG. 1 in an open configuration.  
The broken lines shown throughout these figures depict environmental subject matter only and form no part of the claimed design.

(73) Assignee: **ABBVIE INC.**, North Chicago, IL (US)

(\*\*) Term: **14 Years**

(21) Appl. No.: **29/524,017**

(22) Filed: **Apr. 15, 2015**

(51) **LOC (10) Cl.** ..... **03-01**

(52) **U.S. Cl.**

USPC ..... **D3/216; D24/190**

(58) **Field of Classification Search**

USPC ... D24/189–192; D2/828–830; D3/215–217, 222; D29/101.1

(Continued)

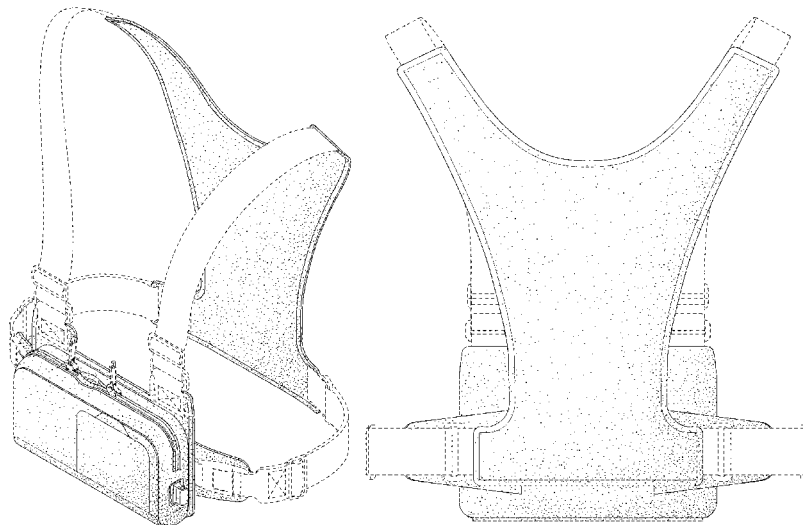
(56) **References Cited**

U.S. PATENT DOCUMENTS

D29,559 S 10/1898 Tesiny  
D170,156 S 8/1953 Hagan

(Continued)

**1 Claim, 8 Drawing Sheets**



(58) **Field of Classification Search**  
 CPC ..... A45F 3/04; A45F 3/14; A45F 5/00;  
 A45F 2003/045  
 See application file for complete search history.

(56) **References Cited**

U.S. PATENT DOCUMENTS

2,954,563 A 10/1960 De Grazia  
 D237,022 S 10/1975 Mathis  
 D245,537 S \* 8/1977 Gurgiole ..... D24/190  
 D256,850 S 9/1980 Donahue  
 D257,910 S 1/1981 Viio  
 D261,447 S 10/1981 Viio  
 D263,641 S \* 4/1982 Nandorf ..... D29/101.1  
 D273,818 S 5/1984 Spencer  
 D278,090 S 3/1985 Cochran  
 D278,840 S 5/1985 Winston  
 4,602,387 A 7/1986 Zakrzewski  
 D292,015 S 9/1987 McWaters  
 D293,618 S 1/1988 Berenson  
 4,764,962 A \* 8/1988 Ekman ..... H04R 1/02  
 224/259  
 D315,242 S 3/1991 Ruge  
 5,002,270 A 3/1991 Shine  
 D340,794 S 11/1993 Winston  
 D351,061 S \* 10/1994 Coons ..... D3/219  
 D356,883 S 4/1995 Ganahl  
 D360,517 S 7/1995 Reizenstein  
 D363,593 S 10/1995 Murray  
 5,465,424 A 11/1995 Cudney et al.  
 5,477,998 A \* 12/1995 Reckler ..... A41D 13/01  
 224/586  
 D384,788 S 10/1997 Curry  
 5,708,978 A 1/1998 Johnsrud  
 D390,338 S 2/1998 Plasco  
 D391,682 S \* 3/1998 Palembas ..... D29/101.1  
 D392,439 S 3/1998 Okoniewski  
 D398,738 S 9/1998 De La Rosa  
 D402,788 S 12/1998 Blankenship, Jr.  
 D409,697 S 5/1999 Ott  
 D414,913 S 10/1999 Katz et al.  
 D428,696 S \* 8/2000 Fier ..... D3/216  
 D429,564 S \* 8/2000 Carver ..... D3/226  
 D435,168 S \* 12/2000 Momburg ..... D3/215

D435,169 S \* 12/2000 Carver ..... D3/226  
 D455,009 S \* 4/2002 Thayer ..... D3/316  
 D461,036 S 8/2002 Forbes  
 D475,837 S 6/2003 Neider  
 6,675,391 B2 1/2004 Morrison  
 6,874,163 B2 4/2005 Marshall  
 7,058,982 B2 6/2006 Atallah et al.  
 D538,509 S 3/2007 Silverman  
 D545,028 S 6/2007 Myrick  
 D580,633 S 11/2008 Cross  
 D602,678 S 10/2009 Foley  
 D611,681 S 3/2010 Pettingill et al.  
 D622,036 S 8/2010 Mason, III  
 D653,430 S 2/2012 Pouches  
 D655,478 S 3/2012 McCollum  
 D677,861 S 3/2013 Perry  
 D683,933 S 6/2013 Robbins  
 D685,159 S 7/2013 Lambertz  
 D689,262 S 9/2013 Passman  
 D689,690 S \* 9/2013 Hordos ..... D3/215  
 D707,424 S 6/2014 Pezzimenti  
 D714,022 S 9/2014 Mong et al.  
 8,960,511 B2 \* 2/2015 Shepherd ..... A45C 3/00  
 224/259  
 D734,567 S \* 7/2015 Broder ..... D29/122  
 2004/0153012 A1 8/2004 Schroeder  
 2014/0367438 A1 \* 12/2014 Hunt ..... A45F 5/14  
 224/567

FOREIGN PATENT DOCUMENTS

KR 300432848.0000 12/2006  
 KR 300764966.0000 10/2014  
 NO 20090182-0010 11/2009

OTHER PUBLICATIONS

Improve Osteopenia and Osteoporosis by Wearing this Weight Vest, Announced Aug. 20, 2013 [Site Visited Mar. 28, 2016] <http://weightvest4osteoporosis.com/>.  
 Warrior Class Studios, Announced Jul. 24, 2013 [Site Visited Mar. 28, 2016] <http://warriorclassstudios.blogspot.com/2013/07/warriorclassstudios-another-essential.html>.

\* cited by examiner

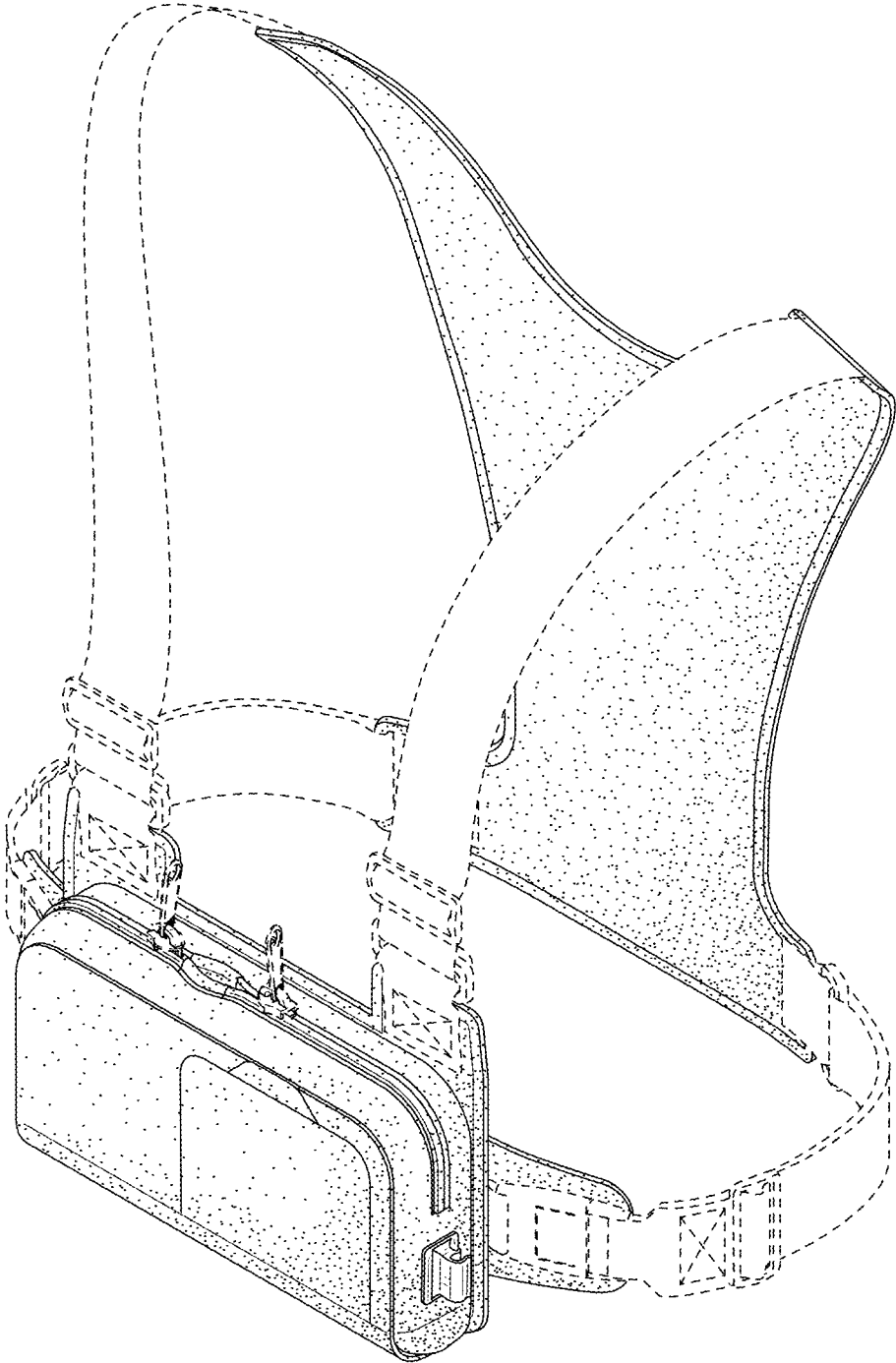


FIG. 1

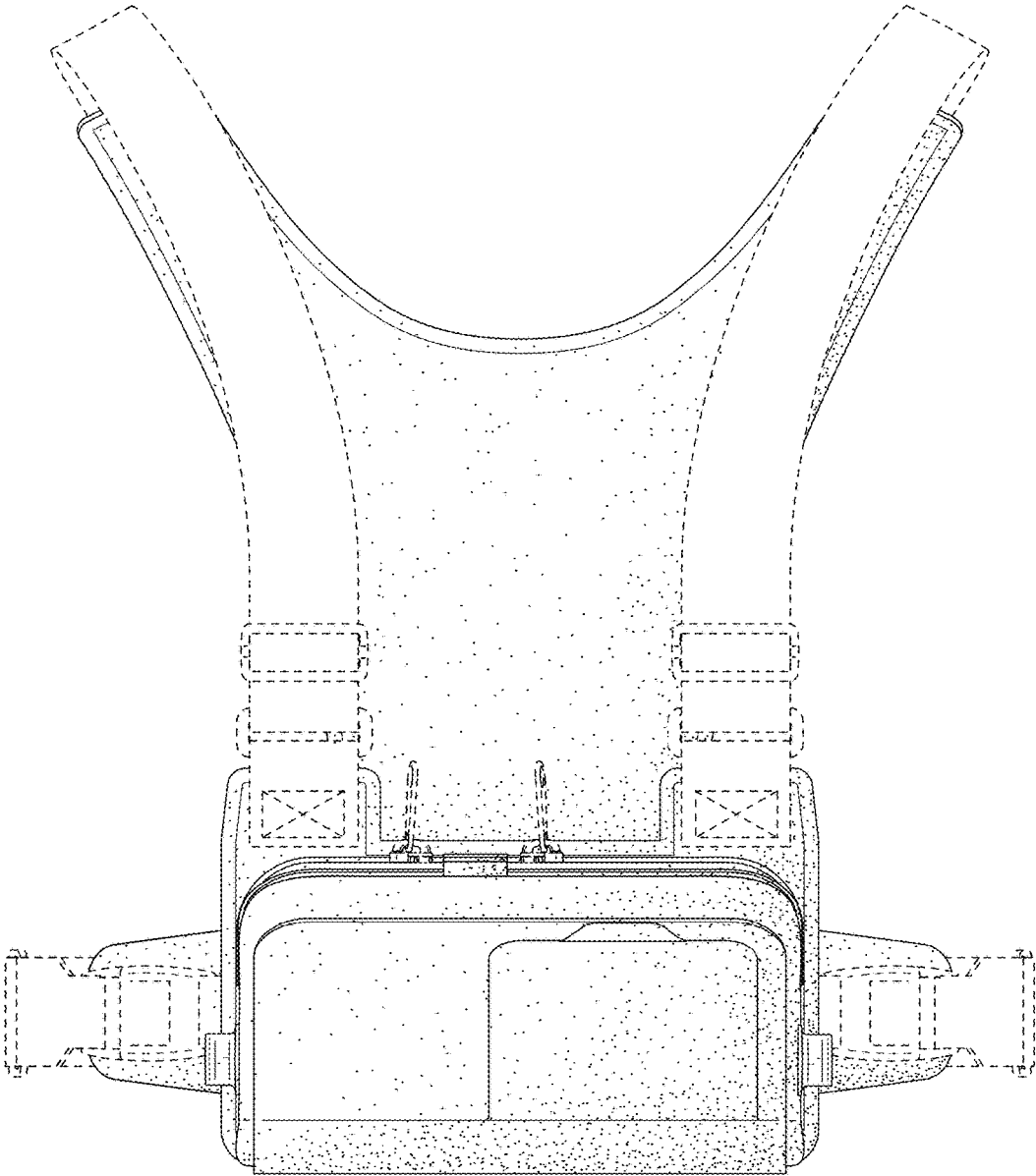


FIG. 2

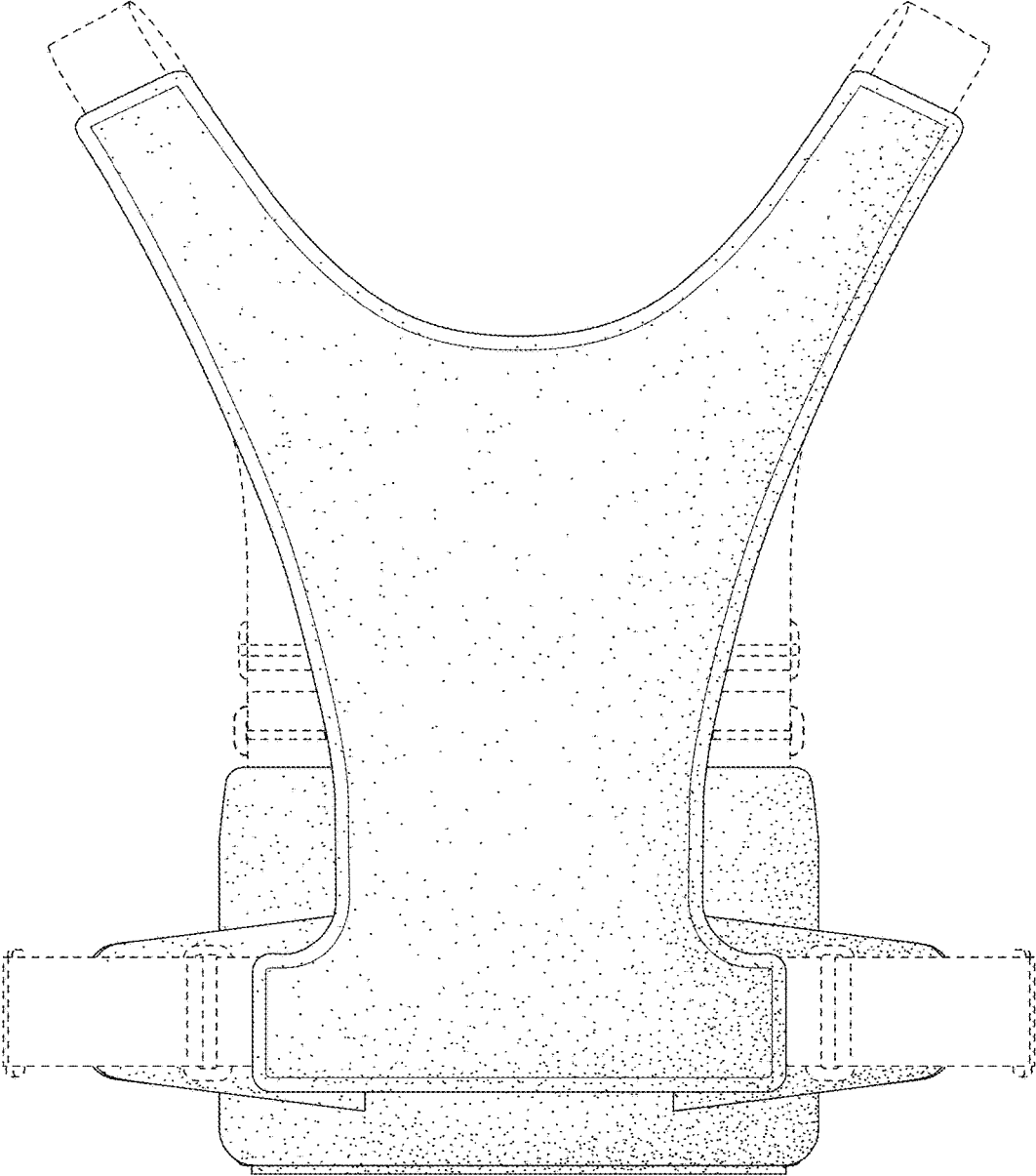


FIG. 3

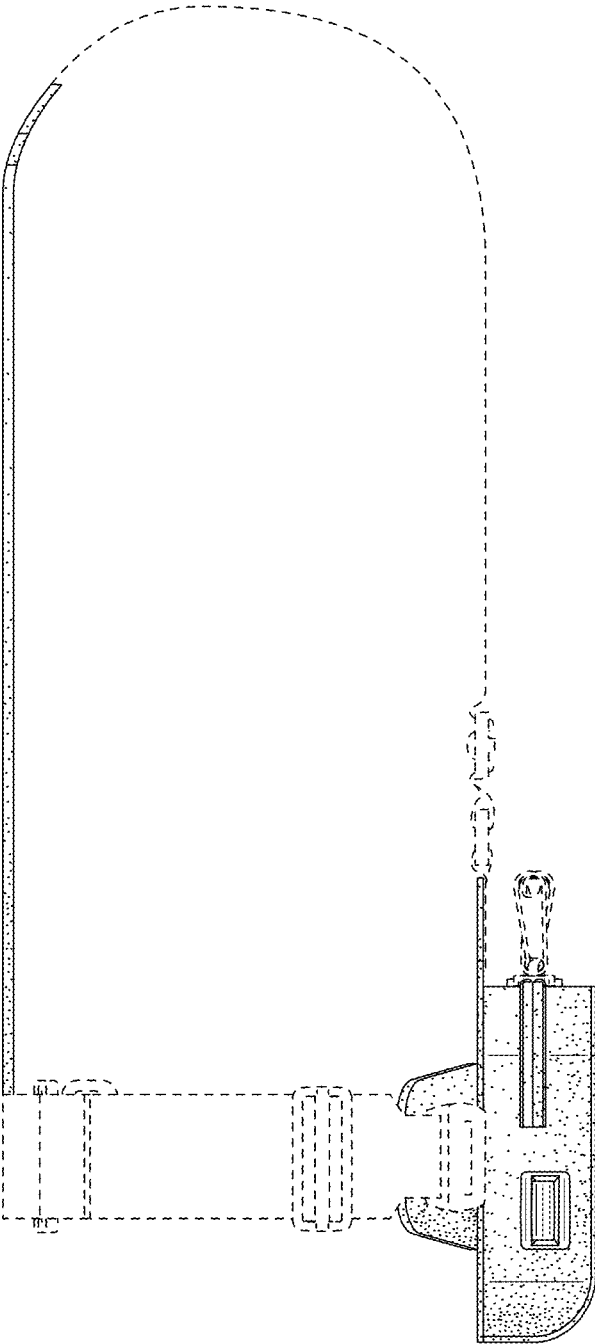


FIG. 4

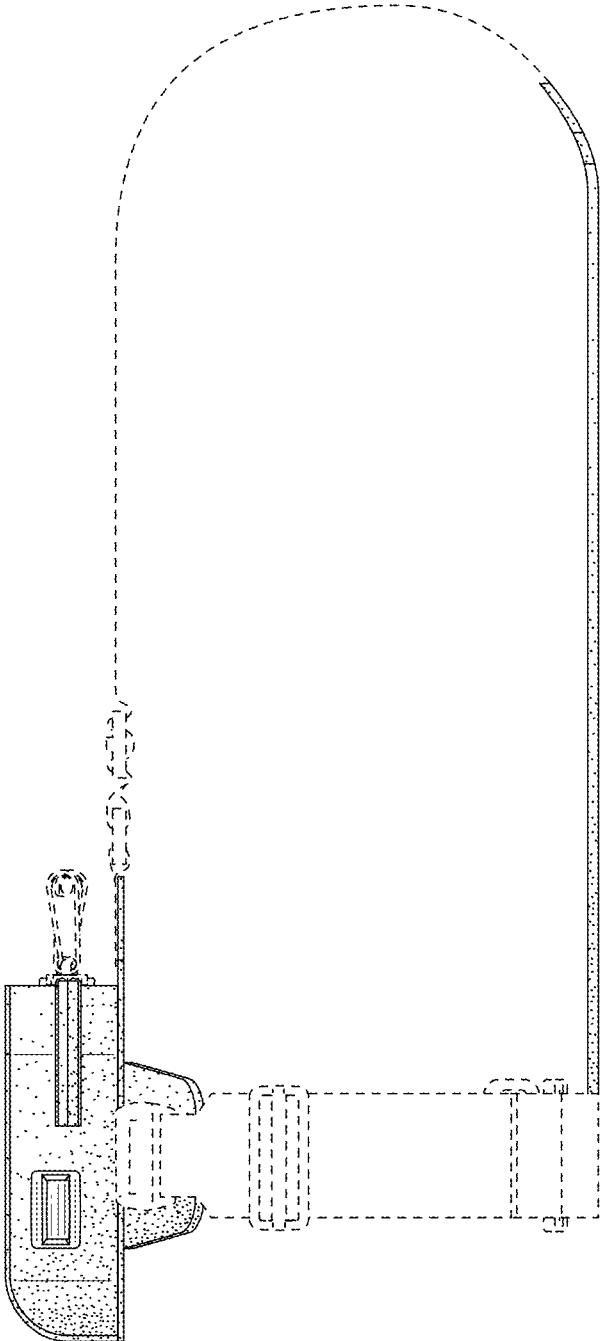


FIG. 5

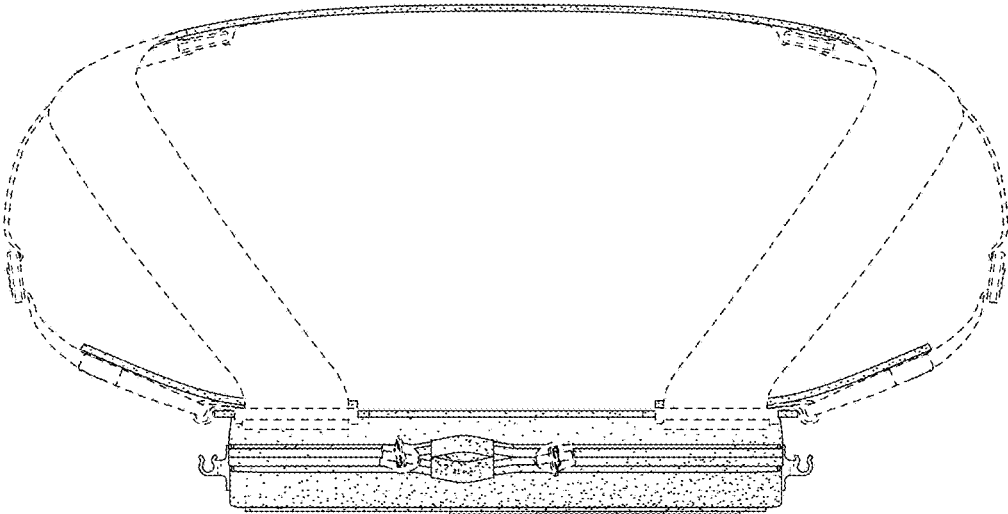


FIG. 6



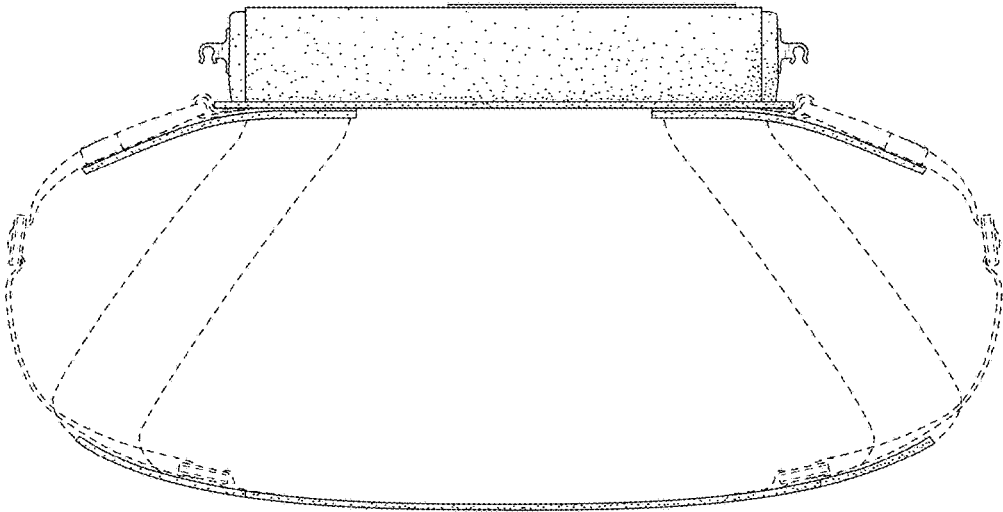


FIG. 7

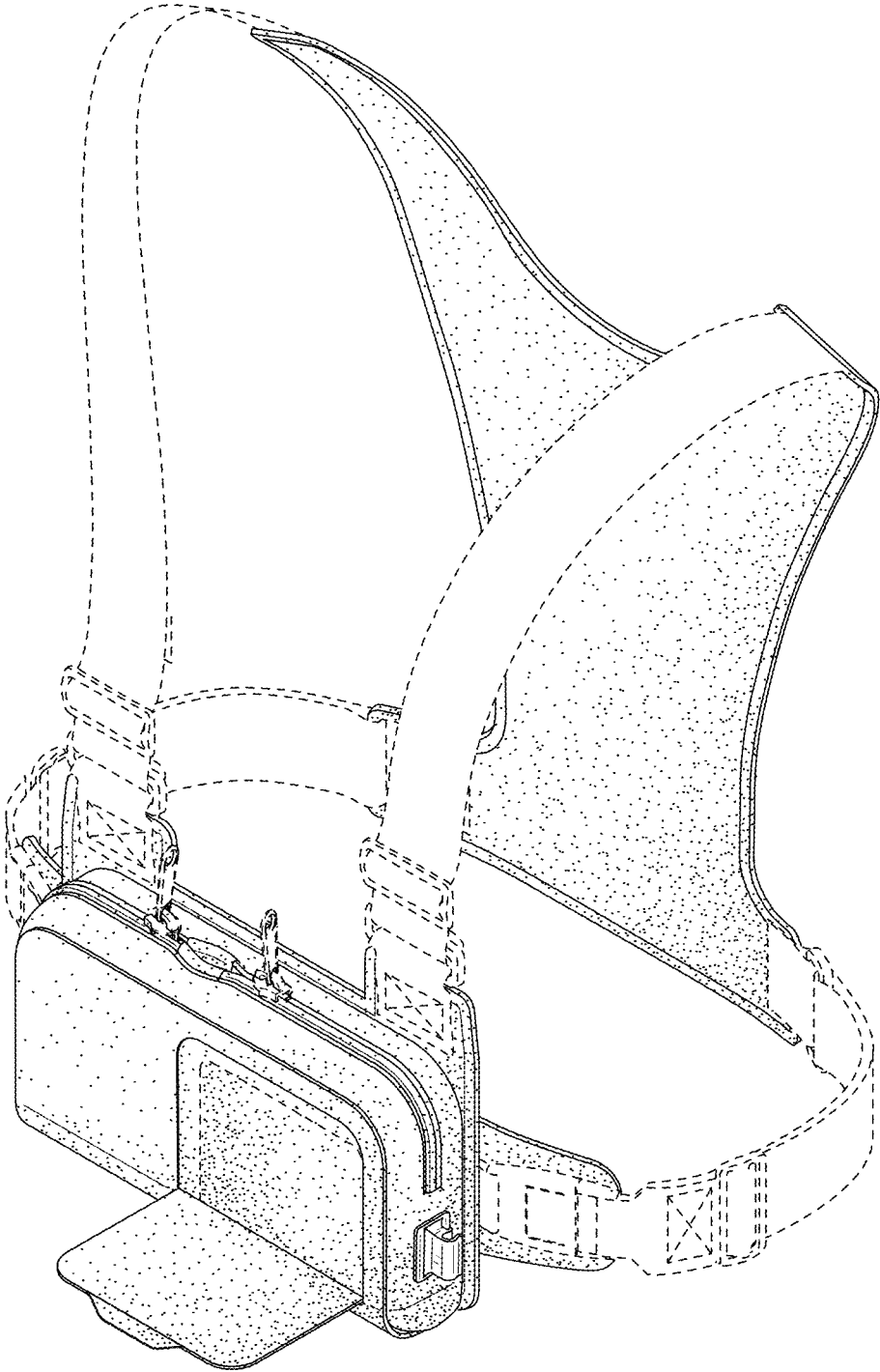


FIG. 8