

**(12) PATENT**  
**(19) AUSTRALIAN PATENT OFFICE**

**(11) Application No. AU 199713530 B2**  
**(10) Patent No. 737448**

(54) Title  
**Concrete monocoque building construction**

(51)<sup>7</sup> International Patent Classification(s)  
**E04B 001/28**

(21) Application No: **199713530**

(22) Application Date: **1996.12.19**

(87) WIPO No: **WO98/27291**

(43) Publication Date : **1998.07.15**

(43) Publication Journal Date : **1998.08.27**

(44) Accepted Journal Date : **2001.08.23**

(71) Applicant(s)  
**Monotech International, Inc.**

(72) Inventor(s)  
**Peter J. Zweig**

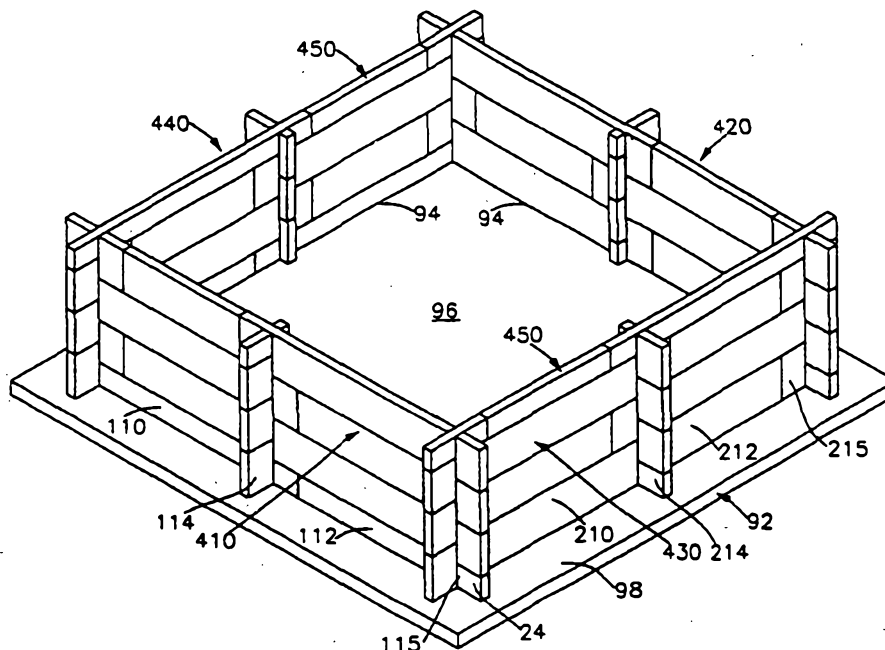
(74) Agent/Attorney  
**BALDWIN SHELSTON WATERS, Level 21, 60 Margaret Street, SYDNEY NSW 2000**

(56) Related Art  
**US 4094110**  
**US 4510724**  
**US 5193931**



## INTERNATIONAL APPLICATION PUBLISHED UNDER THE PATENT COOPERATION TREATY (PCT)

<p>(51) International Patent Classification <sup>6</sup> : E04B 1/28</p>	A1	<p>(11) International Publication Number: <b>WO 98/27291</b></p> <p>(43) International Publication Date: 25 June 1998 (25.06.98)</p>
<p>(21) International Application Number: PCT/US96/20717</p> <p>(22) International Filing Date: 19 December 1996 (19.12.96)</p> <p>(63) Related by Continuation (CON) or Continuation-in-Part (CIP) to Earlier Application US Filed on: Not furnished (CIP) Not furnished</p> <p>(71) Applicant (for all designated States except US): MONOTECH INTERNATIONAL, INC. [US/US]; 12041 Mora Drive, Santa Fe Springs, CA 90670-3754 (US).</p> <p>(72) Inventor; and (75) Inventor/Applicant (for US only): ZWEIG, Peter, J. [US/US]; 8114 Meadow Crest Drive, Houston, TX 77071 (US).</p> <p>(74) Agent: KINBERG, Robert; Spencer &amp; Frank, Suite 300 East, 1100 New York Avenue, Washington, DC 20005-3955 (US).</p>		<p>(81) Designated States: AL, AM, AT, AU, AZ, BA, BB, BG, BR, BY, CA, CH, CN, CU, CZ, DE, DK, EE, ES, FI, GB, GE, HU, IL, IS, JP, KE, KG, KP, KR, KZ, LC, LK, LR, LS, LT, LU, LV, MD, MG, MK, MN, MW, MX, NO, NZ, PL, PT, RO, RU, SD, SE, SG, SI, SK, TJ, TM, TR, TT, UA, UG, US, UZ, VN, ARIPO patent (KE, LS, MW, SD, SZ, UG), Eurasian patent (AM, AZ, BY, KG, KZ, MD, RU, TJ, TM), European patent (AT, BE, CH, DE, DK, ES, FI, FR, GB, GR, IE, IT, LU, MC, NL, PT, SE), OAPI patent (BF, BJ, CF, CG, CI, CM, GA, GN, ML, MR, NE, SN, TD, TG).</p> <p>Published With international search report.</p> <div data-bbox="986 792 1329 954" style="border: 1px solid black; padding: 5px; text-align: center;"> <p>IP AUSTRALIA</p> <p>8 OCT 1998</p> </div>
<p>(54) Title: CONCRETE MONOCOQUE BUILDING CONSTRUCTION</p>		



## (57) Abstract

A technique for forming an insulated monocoque concrete shell house, wherein the house structure is built using foamed plastic interlocking and noninterlocking blocks (110, 112, 114) in a manner similar to that in which a log cabin is built using logs. Once the structure is built, openings can be manually cut with ease into the wall (410) of the structure to accommodate windows and doors. The inner and outer surfaces of the foamed plastic block structure, as well as part of the foundation (92) adjacent to the walls (410, 420, 430, 440) of the structure, are sprayed with concrete, forming a concrete monocoque shell house.

## CONCRETE MONOCOQUE BUILDING CONSTRUCTION

5

### Background of the Invention

10

This invention relates to a technique for making a concrete monocoque shell house using foamed plastic interlocking and noninterlocking blocks to form the structure of a house on a concrete foundation which is then sprayed with a layer of concrete to form a monocoque shell house structure.

In many poorer countries, housing is beyond the grasp of most people. To make housing more affordable in those countries, low cost house building techniques are required.

15

Many lower cost techniques for building homes have been developed. In one technique, a flexible membrane is erected over a framework. One or more layers of foam are then formed on the membrane to stiffen it and provide a substrate for carrying a heavier layer. The layer of foam is then sprayed with concrete to form the structural shell of the building. The problem with this technique is it makes it difficult to do details. For example, to form openings to accommodate windows, the frame structure must be designed and built with such openings, and the flexible membrane must be erected accordingly so as not to block the opening.

20

Another technique uses stackable plastic blocks, much like cinder blocks, which are hollow in their center and have openings on their edges providing access to their hollow centers. Once stacked forming the building structure, these blocks are filled with concrete which forms the principal structure of the building. With this technique, details are also difficult to do. For example, after the blocks are in place, openings for accommodating windows cannot be formed without rearranging the blocks. Furthermore, special blocks must be used around openings so that when filled with concrete, the concrete does not flow into the opening.

25

Other techniques use blocks to form the substrate structure of a house to which is applied a fiber mesh. Cement or stucco is then sprayed on the fiber mesh forming a cell structured house. To form details with this technique, such as window openings, the openings must be formed on the substrate, as well as on the fiber mesh.

30

A common problem with all of these techniques is, that once the underlying structure of the house is formed, the structure can not be easily modified. For example, extra openings for windows cannot be formed without spending excessive amounts of time redesigning and rebuilding the underlying structure. Such modifications can add significantly to the cost of building the house. Another problem with these techniques, is that they may not provide sufficient insulation. A low cost house is not very desirable, if the costs associated with heating it are excessive.

35



Any discussion of the prior art throughout the specification should in no way be considered as an admission that such prior art is widely known or forms part of common general knowledge in the field.

It is an object of the present invention to overcome or ameliorate at least one of  
5 the disadvantages of the prior art, or to provide a useful alternative.

Summary of the Invention

Thus, according to a first aspect, the invention provides a concrete monocoque shell house comprising:

- a concrete foundation;
- 10 a plurality of blocks, supported by the foundation, forming the structure of the house; and

a layer of concrete over each of the inner and outer surfaces of the block formed structure continuing on the foundation proximate the blocks, forming a double monocoque shell.

15 Unless the context clearly requires otherwise, throughout the description and the claims, the words 'comprise', 'comprising', and the like are to be construed in an inclusive sense as opposed to an exclusive or exhaustive sense; that is to say, in the sense of "including, but not limited to".

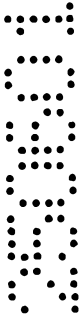
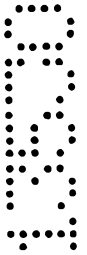
According to a second aspect, the invention provides a concrete monocoque shell  
20 house comprising:

- a concrete foundation;
- a layer of expanded plastic foam having inner and outer surfaces defining at least walls and a roof for the house;

25 a continuous layer of concrete over each of the inner and outer surfaces of the plastic foam layer and continuing onto the foundation adjacent to the walls of the house for forming a self supporting monocoque shell.

According to a third aspect, the invention provides a concrete monocoque shell house comprising:

- 30 a foundation;
- 



a plurality of preformed foamed plastic blocks forming the structure of the house having walls and a roof, wherein the blocks form the walls in levels and wherein a level of each wall interlocks with a level of an adjacent wall; and

a layer of concrete over each of the inner and outer surfaces of the foamed plastic blocks forming the walls and roof and on the foundation adjacent to the blocks for forming a self supporting concrete monocoque shell.

According to a fourth aspect, the invention provides a method for forming a monocoque concrete shell house comprising the steps of:

forming a concrete foundation;  
10 building a house structure on a foundation using a plurality of foam blocks; and  
applying a layer of concrete covering the house structure internal and external surfaces and a portion of the foundation near the blocks, forming a concrete double monocoque shell house structure.

According to a fifth aspect, the invention provides a method for forming a monocoque concrete shell house comprising the steps of:

forming a concrete foundation;  
erecting a house form on a foundation using a plurality of foam plastic blocks selected from a suite of plastic blocks which interlock with each other in perpendicular directions; and

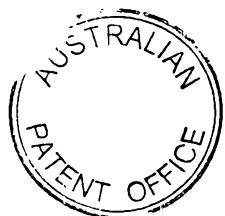
20 applying a layer of concrete covering the house form inner and outer surfaces and a portion of the foundation adjacent to the blocks, the layers of concrete each interfacing with the foundation for forming a self supporting concrete monocoque shell house structure.

According to a sixth aspect, the invention provides a double monocoque concrete structure, comprising:

a core structure comprised of foam plastic presenting opposite sides and arranged in a desired shape;

a layer of concrete on each of the opposite sides of the core structure such that each layer constitutes a load bearing concrete shell thereby forming the double monocoque  
30 concrete structure.

According to a seventh aspect, the invention provides a method of forming a double monocoque concrete structure, comprising:



forming a core structure of foamed plastic in a desired shape having opposite sides;  
and

applying to each of the opposite sides a layer of concrete to form respective load bearing concrete shells thereby forming the double monocoque concrete structure.

5 According to another aspect, the invention provides a method of constructing a building, comprising:

forming a core structure of foamed plastic having opposite sides in a desired shape of a load bearing component of the building; and

10 applying to each of the opposite sides a layer of concrete to form respective load bearing concrete shells thereby forming a double monocoque concrete load bearing component of the building.

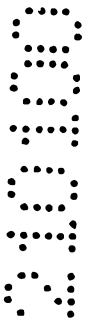
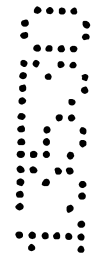
Advantageously, at least in a preferred form, the present invention relates to a low cost technique for forming an insulated monocoque concrete shell house. Preferably, to form the house, a concrete foundation is formed having a ledge. The ledge spans the  
15 periphery of the foundation and defines the outer plan shape of the house. The external walls of the house are built against the ledge.

The house structure is built on the foundation using foamed plastic interlocking and noninterlocking blocks in a fashion similar to that in which logs are used to build a log cabin. Preferably, the walls of the house are built using blocks selected from a set  
20 comprising double lock, single lock, plain, hybrid, double rectangular peg and peg support blocks. Each wall interlocks with its adjacent walls.

Preferably, the roof of the house is built using foamed plastic blocks which interconnect using a tongue and groove method. The roof is built from blocks selected from the group comprising of angle edge blocks, triangular blocks, curved rectangular  
25 and semirectangular blocks, and combinations thereof.

Preferably, to interface the roof to the walls, interface plates are used selected from the group consisting of the interface-1, interface-2, interface-3 and interface-4 plates. Tie down rods embedded into the foundation may also be used to tie down the interface plates and the blocks forming the walls against the foundation.

30 Preferably, window and door openings are manually cut with ease into the structure at the site. Electrical and plumbing hardware can also be easily embedded into the blocks through slits cut on the outer surface of the blocks.



The foamed plastic block built structure is then sprayed with concrete on its inner and/or outer surfaces as well as on the foundation adjacent to the walls of the structure, forming a monocoque shell structure. The concrete may also be applied by hand trowel.

5 Preferably, the concrete contains polymer adhesives to facilitate adhesion to the foamed plastic and the foundation, and also contains chopped fibers to increase the concrete flexural and impact strength as well as toughness, fatigue strength and resistance to cracking. Once set, the concrete forms the monocoque shell house structure, while the foamed plastic, with its excellent insulating characteristics is sandwiched within the concrete, insulating the monocoque structure.

10 Brief Description of the Drawings

A preferred embodiment of the invention will now be described, by way of example only, with reference to the accompanying drawings in which:

FIG. 1

FIG. 2



FIG. 1 isometrically depicts the mono-lock set of blocks comprising a plain, a single lock and a double lock block.

5 FIG. 2 isometrically depicts the mono-bond set of blocks comprising a hybrid, a double rectangular peg and a peg support block.

FIG. 3 isometrically depicts the three sections, A, B and C which are used to form a mono-lock or a mono-bond block.

10 FIG. 4 depicts end views of the interface-1, interface-2, interface-3 and interface-4 plates, as well as, top views of linear and corner interface-2 and interface-4 plates.

FIG. 5 is an isometric view of an inverted V-shaped roof assembly.

FIG. 6 is an isometric view of a semicircular roof assembly.

FIG. 7 is a top and an end view of a concrete foundation having a square ledge.

FIG. 8A depicts a cross sectional view of a wall having post tension tie downs.

15 FIG. 8B depicts a cross sectional view of a wall having tie down rods.

FIG. 9 is an isometric view of the walls of a square house built on a concrete foundation using the mono-lock set of blocks.

FIG. 10A is an elevation view of a partial single lock block interlocking with a half double lock or plain block forming the base level of a wall which interfaces with the foundation.

20 FIG. 10B is an elevation view of a partial single lock block interlocking with a full single lock or double lock block forming the base level of a wall which interfaces with the foundation.

FIG. 10C is an elevation view of a partial peg support block engaging a half peg block forming the base level of a wall which interfaces with the foundation.

25 FIG. 10D is an elevation view of a partial peg support block engaging a full peg block forming the base level of a wall which interfaces the foundation.

FIG. 11 is an isometric view of the walls of a square house built on a concrete foundation using the mono-bond set of blocks.

FIG. 12 is a top view of the foundation having notches and a side view of partial double lock and single lock blocks designed to engage the notched foundation.

30 FIG. 13 is a mean view of the partial double lock block engaging the notched foundation.

FIG. 14 is an isometric view of a double inverted V-shaped roof supported by interface plates.

FIG. 15 is an isometric view of two blocks having B sections interlocking with each other.

35 **Detailed Description of the Preferred Embodiment**

This invention relates to a technique for making insulated low cost concrete shell monocoque structure houses. Foamed plastic blocks of different shapes are used to build the



5 structure of the house on a concrete foundation in a fashion similar to that in which logs are used to build a log cabin. Once formed, the inner and outer surfaces of the foamed plastic block structure and part of the foundation are sprayed with concrete forming a monocoque concrete shell structure house.

10 The walls are typically formed by using foamed plastic blocks 8 having any of six different shapes. The six shapes of blocks are labelled for descriptive purposes as the double lock 10, the plain 12, the single lock 14, the hybrid 16, the double rectangular peg 18, and the peg support 20 (also referred to as support) blocks (FIGS. 1 and 2). All blocks have the same thickness, for example 2.5 cm. These blocks can be easily manufactured at the site using portable presses. In addition, when necessary they can be manually cut with ease to alter their shape to interface with the other blocks or the foundation. They can easily be patched or fastened with glue, screws or pins. Furthermore, the foamed plastic blocks serve as insulation material.

15 With the exception of the peg support blocks all blocks have the same height. Typical heights are in the order of 60 cm. The peg support block has a height approximately twice the height of the other blocks. The blocks can have different lengths. The length, height or thickness of the blocks is not important in describing the various embodiments of this invention.

20  
25

Although the blocks are continuous, they are formed from a combination of any of three distinct shaped sections. For descriptive purposes, the three shaped sections are designated as A section 22, B section 24 and C section 30, respectively (FIG. 3). A section 22, is a rectangle. B section 24, is a sideways "T" wherein the length of the base 26 of the "T" crossbar is equal to or slightly longer than the thickness of the block, and wherein the length of the "T" crossbar 28 is equal to the height of the block. The C section 30, is a rectangle having a height smaller than the height of the A rectangle and a length approximately equal to half its thickness.

30  
35

The double lock block 10 (FIG. 1) is composed of three sections, an A section with a B section cantilevered from each A section heightwise side. The longitudinal central axes of all three sections are aligned. The interface between the A and each B section forms an upper notch 32 and a lower notch 34. Thus, the double lock block has four notches, two upper and two lower notches. The length of each notch is equal to the length of a B section base leg and, therefore, as discussed above is equal to or slightly longer than the thickness of the block.

35 These notches allow for the interlocking of the blocks. Each block that has a B section can interlock with another block that has a B section. For example, two double lock blocks can interlock with each other. To interlock the blocks, one block is positioned perpendicularly over the other so that a lower notch of the upper block slides over a portion of the B section base leg 26 of the lower block. At the same time, the upper notch of the lower block will slide over



a portion of the upper block's B section base leg. When this occurs, the two blocks are interlocked together, as shown in FIG. 15.

5 The plain block 12 (FIG. 1) is a rectangular shaped block. It is comprised only of an A section. The single lock block 14 (FIG. 1) comprises an A section with a B section cantilevered from an A section heightwise side. In essence, it is like a double lock block but comprising only one B section.

10 The hybrid block 16 (FIG. 2) is composed of three sections, an A section with a B section and a C section each cantilevered from the A section opposite heightwise sides. All three sections are aligned along their central longitudinal axes. The C section forms a rectangular peg 36 extending beyond the rectangular A section.

15 The double rectangular peg block 18 (FIG. 2) is comprised of an A section with a C section cantilevered from each A section heightwise side. Again, all sections are aligned along their central longitudinal axes.

20 The peg support block 20 (FIG. 2) is composed of four B sections. Each B section base leg end is abutted to another section's base leg end forming a block which is symmetrical about its longitudinal (horizontal) central axis and about its vertical central axis. In turn, the block has a notch on its upper end 33, a notch on its lower end 35 and an opening 37 at its center which is shaped to match the cross sectional shape of the rectangular pegs (C sections) of either the hybrid or the double rectangular peg blocks. When two support blocks are positioned directly on top of each other, the lower notch of the upper support block and the upper notch of the lower support block also form an opening matched to the pegs. The peg support block is designed for supporting the rectangular peg portions (C sections) of the hybrid and double rectangular peg blocks (referred herein as the "peg blocks").

25 To provide support, a support block is placed perpendicularly to a peg block. The peg 36 of the first peg block is inserted into a notch 33, 35 or opening 37 of the support block until the peg block's A section abuts against the support block. When this occurs, the peg penetrates half of the thickness of the support block. A second peg block peg is inserted into the notch or opening of the support peg block from the side opposite the first peg block until the second peg block's A section abuts against the support block and its peg abuts against the first peg block peg. These six shapes of blocks are the blocks of choice for building the walls of a house. Preferably, however, the walls are built using blocks selected from a set comprising only the double lock, plain or single lock blocks or selected from a set comprising only the hybrid, double rectangular peg and peg support blocks. For descriptive purposes, the former set of blocks is referred to as

30 the mono-lock set and the latter set is referred to as the mono-bond set. Accordingly, walls

35

formed with the mono-lock set of blocks are referred to as mono-lock walls, while walls formed with the mono-bond set of blocks are referred to as mono-bond walls.

5 Interface plates, preferably made of foamed plastic, are used to provide a means for attaching the roof to the walls. These plates have specialized cross sectional shapes and may have lengths which span the length of a wall. They allow for roof support, as well as, provide water gutters to control rain water flowing down from the roof. These interface plates may have any of four preferred cross sectional shapes designated as interface-1, 40; interface-2, 42;  
10 interface-3, 44; or interface-4, 46 (FIG. 4).

All four interface plates have rectangular cross sectional shapes. The interface-1 plate has a lower notch 48 and upper notch 50 aligned about a vertical axis. The upper notch (referred herein as the "roof notch") is designed to engage the roof. The lower notch (referred herein as the "wall notch") is designed to be slid over and engage the wall. Furthermore, a rounded notch 52 on the upper surface serves as the gutter. Along the length of the interface plates, the roof notch forms a roof groove 54, the wall notch forms a wall groove 55 and the gutter notches form the gutter 56.  
15

The interface-2 plate has the same cross section as the interface-1 plate and further includes a smaller notch 58 on its upper surface opposite the gutter notch on the other side of the roof notch. This small notch (referred herein as the "light notch") is designed to form a light groove 60 to accommodate an electric light source such as a fluorescent light bulb.  
20

The interface-3 and interface-4 plates are used in situations where two roof sections must be interfaced with a single wall. The interface-3 plate has a rectangular cross sections with two roof notches 50 on its upper surface symmetrically located about the block central vertical axis. On the upper surface about the central vertical axis is a gutter notch. On the lower surface also about the central vertical axis is the wall notch 48. The interface-4 plate has the same cross section as the interface-3 plate with two additional light notches 58 each located on either side of each roof notch proximate the block edges. In an alternate embodiment, the interface plates do not incorporate gutter notches or gutters.  
25

For descriptive purposes, the interface plates used along the length of the walls are referred to as the linear interface plates 62, 162. To accommodate the corners (wall intersections), the interface plates can have any of the above described cross section on at least three adjacent edges forming grooves along their length, as well as along their width. These interface plates are referred to as the corner interface plates 64, 164.  
30

The roof sections are preferably either of two shapes, inverted V-shaped 70 (FIG. 5) or semicylindrical shaped 72 (FIG. 6). An inverted V-shaped roof is formed by rectangular shaped blocks 74 having angled edges 76. Each angled edge has either a tongue 78 or a groove 80 such  
35



that the tongue of one block's edge can connect with the groove of another block's edge to form the inverted V-shape. A semicylindrical shaped roof is formed by curved rectangular blocks having a groove 84 along one of their longitudinal edges and a tongue 86 on the other such that the tongue of one block can engage the groove of another block allowing multiple curved blocks to be connected to form the semicylindrical roof 72.

In an alternate embodiment, the semicylindrical roof can be formed from a single semicylindrical piece. In another embodiment, the roof may be quarter round rather than half round.

To close the ends of an inverted V-shaped roof, triangular blocks 88 (FIG. 5) may be used. In a similar fashion, semicircular blocks 90 (FIG. 6) may be used to close the ends of a semicylindrical roof. Quarter circular blocks may be used to close the ends of quarter round roofs.

To build the structure of the house using the foamed plastic blocks, a foundation 92 is formed with a ledge 94 proximate its periphery (FIG. 7). In essence, the ledge creates a "step" in the foundation, where the thickness of the foundation is stepped up forming a thicker section 96 bordered by a thinner peripheral section 98. The peripheral ledge defines the plan outer shape of the house. In an alternate embodiment, a foundation without a stepped ledge is formed.

Threaded galvanized tie down rods 100 (FIGS. 8A and 8B) are built into the foundation peripheral thinner section at a distance from the ledge approximately equal to half the thickness of the blocks. These threaded rods are built into the foundation at intervals around the foundation perimeter. As the house structure is built using the foamed plastic blocks, holes 107 are drilled vertically (heightwise) through the thickness of the blocks to allow for penetration of the threaded rods.

Various embodiments of the present invention are described herein relating to the building of a square house. However, as it will be obvious to one skilled in the art, the embodiments are applicable to any shape house having perpendicular walls.

To build a mono-lock wall square house, a foundation 92 is first laid with a ledge 94 forming a square (FIG. 9). A double lock block 110 is cut in half along its longitudinal axis. Half of this block having its notches on its upper edge is placed heightwise against the ledge such that one of its B sections protrudes beyond the ledge. Next the nonprotruding B section of the block is perpendicularly engaged by the B section of a full single lock block 114 interlocking the two blocks. In order to accomplish this and to prevent interference with the ledge, the lower half of the "T" crossbar of the B section of the single lock block is cut away (FIG. 10A). When interlocked, the two blocks provide support to each other.



Next, a plain block is cut along its longitudinal central axis. A half plain block 112 is then abutted against the half double lock block and the ledge. Finally, half of a single lock block 115 is abutted against the half plain block and the ledge so that its notch is on its upper edge. The blocks have lengths such that when all three pieces are set against the ledge, the B sections 24 of the double and single lock blocks protrude beyond their respective side the ledge. These three blocks form the base level of the first wall 410. The base level of the second wall 420, which is parallel to the first wall, is formed using the same set of half blocks, but in reverse order.

The base of the third wall 430 which is perpendicular to the first and second walls, is built using a full double lock 210, a full plain 212, a full single lock 215 and a half single lock block 214. The first three of these blocks are set against the ledge of the foundation such that the full double lock block of the third wall interlocks with the split single lock block of the first wall and the full single lock block of the third wall interlocks the split double lock end block of the second wall. The half single lock block 214 is positioned perpendicularly and slid under the B section of the double lock block interlocking with the full double lock block (FIG. 10B). The base level of the fourth wall 440, which is parallel to the third wall, is built in the same manner as the third wall but with the reverse sequence of blocks.

Next, full blocks are used to build the next level of the first and second walls but in reverse sequence from that of their corresponding base level. The same approach is followed with the third and fourth walls. Once, the walls are built to a sufficient height, the last levels 450 of the third and fourth wall will have to be built using half blocks such that the height of all four walls is equal.

The interlocking between the blocks provides lateral support to the walls. Further support is provided by staggering the sequence of the types of blocks used within a wall.

It should be noted that the walls can also be built using a different combination of the mono-lock blocks. For example, each wall level can comprise two longer double lock blocks and two single lock blocks to interlock with the double lock blocks.

In an alternate embodiment, the same square house can be built using the mono-bond set of blocks which include the hybrid, double rectangular peg, and peg support blocks. To build the base level of the first wall, half hybrid and double rectangular peg blocks split along their central longitudinal axes are used. The peg support blocks 120, 121 have the lower half of one of their lower B section's "T" crossbar removed. This allows them to be positioned perpendicularly to the foundation thinner section and form a lower notch 134 with the ledge 34 (FIG. 10C).

The first block of the base level of the first wall 510 is formed using a half hybrid block 116 resting heightwise against the foundation ledge with its B section protruding beyond



the ledge (FIG. 11). A first peg support 120 block with its removed lower portion is positioned  
perpendicularly to the hybrid block and against the ledge such that the half hybrid block's peg  
(C section 136) penetrates the bottom notch 134 of the peg support block formed by the ledge  
5 (FIG. 10C). A half double rectangular peg block 118 is then positioned against the ledge with  
one of its peg's penetrating the first peg support block from the side opposite and abutting the  
hybrid block. A second full peg support block 121 is mated perpendicularly to the other peg of  
the double rectangular peg block in the same way as was the first support block 120. Finally,  
10 another half hybrid 117 is fitted with its peg penetrating and abutting the second peg support  
block and abutting the peg of the double peg block. The lengths of the blocks are chosen such  
the B section 24 of the second hybrid also protrudes beyond the ledge (FIG. 11). Note that  
multiple double square peg blocks of shorter length with additional support peg blocks can be  
also be used.

15 The same procedure is followed in building the base of the second wall 520. The third  
wall is formed using full hybrid and double rectangular peg blocks. The peg support blocks 220,  
221, however must have a portion of their lower sections removed so that they may rest flat  
against the foundation while providing support to the peg blocks (FIG. 10D). The protruding  
B sections 24 of the hybrid blocks forming the third wall interlock with the protruding  
20 B sections 24 of the hybrid blocks used in the first and second walls. This interlocking provides  
wall lateral support. Further support is provided by the peg support blocks. The same procedure  
is followed in building the fourth wall 540. The remainder levels of the walls are built using full  
blocks. However, as with the previous embodiment, the last level of blocks 550 forming the  
third and fourth walls must be split in half to maintain the same height with the first and second  
25 walls.

A further alternate embodiment also uses mono-lock blocks. However, the foundation  
does not have a ledge, but rather has notches 330 around its perimeter (FIG. 12). The difference  
between this embodiment and the other mono-lock block embodiment is that the base of the  
walls are built with full and partially split double lock blocks 310 and single lock blocks 314 .  
30 The split blocks have half of their lower A sections as well as half of their B sections' base legs  
removed. The base of these blocks are positioned with their lower edges 325 flat on the  
foundation with their B sections' "T" crossbars 328 engaging and interlocking with the  
foundation notches 330 (FIG. 13). At the same time the notches on their upper surfaces provide  
a basis for interlocking with the other blocks of the set.

35 The next steps with all three embodiments are selecting the use of the roof interface or  
interface plates and choosing the proper roof. Since each wall will be supporting a single roof,  
interface-2 interface plates 42 (FIG. 4) will be used. (A interface-1 type of block can also be

used). The interface-2 plates engage the walls with their wall groove 55 (FIG. 5). Depending on the length of the walls, single or multiple interface-2 plates 62 may be used to span the length of each wall. When positioned on the walls, the rounded gutter groove 52 is placed external of the house wall, while the light groove is placed internal to the house walls 58 (FIG. 5). Corner interface-2 plates, 64, having grooves spanning their length, as well as, half of their width are fitted on the walls forming the corners (FIG. 14). These plates have their grooves spanning their length and at least half of their width.

Openings 351 are drilled vertically through the roof grooves of the interface plates to allow the threaded tie down rods to protrude through them (FIG. 8B). Once the interface plates are in place, a rebar rod 353 is routed in the lower portion of the upper roof groove 50 and is perpendicularly coupled 354 to the tie down rods. Then, the lower portion of the roof notch is filled with concrete covering the rebar and forming a concrete collar beam 355.

Once the concrete sets, nuts 354 are threaded on the protruding galvanized rods. As the nuts thread on the galvanized rods they force the interface plates against the wall blocks tying them down against the foundation. In an alternate embodiment, two sets of galvanized threaded rods are used to form post tension tie downs. Each post tension tie down is formed using two rods, one from each set, having opposite threads. Rods 100 from the first set are built into the foundation in the same fashion as with the previous embodiment. The first set rods are shorter such that they penetrate a portion of the wall height through vertically aligned holes 107 which are drilled in the wall blocks. As described earlier, these holes span the height of the wall as well as penetrate through the interface plate roof groove. Each rod from the second set has a stop, such as a nut 354, threaded on one end. The rods 101 from the second set are installed through the wall holes in the roof groove and subsequent lower blocks. As with the previous embodiment, a rebar 353 is routed in the lower portion of the roof groove and is perpendicularly coupled to the rods proximate the stops. A concrete collar beam 355 is then formed on the lower portion of the roof groove encasing the rebar 353 and abutting the lower surface of the stops 359.

Once all rods are installed, a rod from the first set is aligned with a rod from the second set. However, the lengths of the rods are such that a gap 360 exists between each pair of aligned rods. A turnbuckle 362 having threads at each end is used to engage the free ends of each pair of threaded rods. The internal threads on one end of the turnbuckle are opposite of the internal threads on the other end. The threads on one end are matched to the threads on the first set of rods, and the threads on the other end are matched to the threads on the second set or rods. Thus, as the turnbuckle is rotated in one direction it threads on the pair of rods forcing them toward each other such that the stop on each second set rod engages the concrete collar beam in the roof

groove forcing the interface plates against the wall blocks and the foundation, generating a compressive force within the blocks tying them down against the foundation.

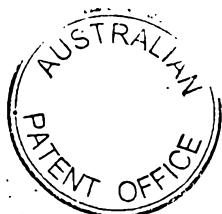
5 In an alternate embodiment which does not use tie down rods, the base level wall blocks are bonded to the foundation. A further embodiment incorporates tie downs, as well as, bonding of the base level blocks to the foundation.

10 Next the roof is installed. For illustrative purposes, an inverted V-shaped roof will be described having two inclined sides forming the inverted V and two triangular vertical sides 88 to close the roof (FIGS. 5 and 14). The inclined sides are formed by multiple sets of angle edged blocks 74 which interlock with each other using a tongue groove type of connection. The edges of the angle edged blocks are angled so that when the groove of one block is mated with the tongue of another, the edges of the two blocks form a vertical interface 375. The angles of the edges of the blocks and the block lengths are chosen such that when the blocks are mated their  
15 opposite edges are spaced so as to engage the interface plate roof grooves 50. The angled edged blocks are connected at one end forming the inverted V-shaped roof and are positioned to engage the roof grooves of the interface plates of the first and second walls with their other ends. To do so, the edges are cut or shaved about a vertical plane 377 (FIGS. 5 and 8B). This allows them to slide into the vertical walled roof groove 50. The edges of the roof rest against the concrete collar beam 355 within the roof groove. Openings 380 may have to be drilled at the edges to accommodate the protruding tie down rods, if necessary. Once the V-shaped is in position, the base edge of the triangular shaped block 88 is slid into the roof groove of the third wall interface plates. The same is done with the fourth wall. These triangular blocks can themselves be formed by multiple blocks which when abutted to together form a triangular shaped block. These blocks are mated to the inverted V-shaped roof edge surfaces 75, closing the roof, as shown in FIG. 14. If a semicylindrical roof is used, then semicircular blocks 90 instead of triangular are used, as shown in FIG. 6.

20  
25  
30

When the roof is in place, small openings 382 are drilled on the roof outer surfaces proximate the interface plates. These openings provide a path from the outer roof to the concrete collar beam within the roof groove of the interface plate. Concrete is then sprayed through those openings bonding the roof to the concrete collar beam.

35 Once the structure of the house is built using the foamed plastic blocks, windows and doors are cut out from the foamed plastic. Electrical and plumbing hardware can now be embedded into the blocks by making cutouts in their outer surfaces. Next, the foamed plastic block structure is sprayed with concrete on its inner and outer surfaces. The horizontal surfaces proximate the walls are also sprayed forming a continuous layer with the layer sprayed on the walls. Single or multiple layers can be sprayed. It is preferable, however, to spray multiple thin



layers of concrete wherein each layer is allowed to partly set prior to the application of the next layer to minimize slump. A typical thin layer has a thickness of approximately 8.0 mm. In an alternate embodiment, the concrete layers are applied using a trowel.

The sprayed concrete contains a polymer which acts as an adhesive to aid in the adhesion of the concrete against the foamed plastic blocks and also contains chopped fibers to keep the concrete coherent. The adhesive character of the polymer also helps to minimize slump.

Preferably polymer-portland cement concrete, also called polymer modified concrete, is used. This is basically normal portland cement concrete to which a polymer or monomer has been added during mixing.

The chopped fibers are added to the concrete during mixing. The fibers, can be made from steel, plastic, glass and natural (cellulose) and other materials, and are available in a variety of shapes (round, flat, crimped, and deformed) and sizes with typical lengths of 1.0 - 8.0 cm and thicknesses ranging from 0.005 - 0.75 mm. Steel fibers have been shown to significantly improve concrete flexural strength, impact strength, toughness, fatigue strength and resistance to cracking.

The aggregate in the concrete is sand without coarse gravel. Thermoplastic and elastomeric latexes can be used. Epoxies and other polymers can also be used. In general, latex improves ductility, durability, adhesive properties, resistance to chloride ion ingress, shear bond, and tensile and flexural strength of concrete and mortar. Latex modified concrete (LMC) can also be used. LMC also has excellent freeze-thaw, abrasion, and impact resistance. Some LMC materials can also resist certain acids, alkalies, and organic solvents.

Once the concrete sets, a concrete monocoque structure is formed. Lighting 384 can then be added in the light grooves 58 of the interface plates (FIGS. 8A and 8B).

Note that a square house with no inner walls and a single roof was described herein only by way of example. The present technique can be used to build other shapes of houses with or without inner walls. If a house, for example, has an inner wall, two roofs can be used as shown in FIG. 14. In this situation the inner walls will be fitted with either the interface-3 or interface-4 interface plates 162 which have two roof grooves. Each groove will engage and support one end of each of the roofs with the other end being supported by the outer walls. Furthermore, flat or other shaped roofs can also be used. These roofs can be single block or multiple block formed roofs.

Only a few of the preferred embodiments have been described herein. People skilled in the art and technologies to which this invention pertains will appreciate the alternatives and changes in the described invention without meaningfully departing from the principle, spirit or scope of the invention. For example, other shapes of interlocking blocks can also be used.

For instance, blocks having rounded or other shape notches, instead of rectangular notches, can also be used.

5 In other embodiments, some of the walls may be built using prefabricated foamed plastic panels rather than blocks. Concrete is then sprayed or otherwise applied to the panels and/or blocks. Some of these prefabricated panels may have a layer of concrete pre-applied on their outer surfaces. When using such panels only one layer of concrete may have to be sprayed or otherwise applied on their outer surfaces.

10 Although the invention has been described with reference to specific examples it will be appreciated by those skilled in the art that the invention may be embodied in many other forms.

15

20

25

\*\*\*

30

35



**WHAT IS CLAIMED IS:**

- 5           1.     A concrete monocoque shell house comprising:  
a concrete foundation;  
a plurality of blocks, supported by the foundation, forming the structure of the house; and  
a layer of concrete over each of the inner and outer surfaces of the block formed structure  
continuing on the foundation proximate the blocks, forming a double monocoque shell.
- 10           2.     A concrete monocoque shell house as recited in claim 1 wherein the blocks are  
fabricated from foamed plastic.
3.     A concrete monocoque shell house as recited in claim 1 wherein the foundation  
15 comprises a ledge extending around the periphery of the foundation for supporting blocks  
interfacing with the foundation.
4.     A concrete monocoque shell house as recited in claim 1 wherein the blocks  
interfacing with the foundation are bonded to the foundation.
- 20           5.     A concrete monocoque shell house as recited in claim 1 wherein the blocks forming  
the walls are tied down against the foundation.
6.     A concrete monocoque shell house as recited in claim 5 further comprising a  
25 plurality of two rod post tension tie downs for tying down the blocks.
7.     A concrete monocoque shell house comprising:  
a concrete foundation;  
a layer of expanded plastic foam having inner and outer surfaces defining at least walls  
30 and a roof for the house;  
a continuous layer of concrete over each of the inner and outer surfaces of the plastic foam  
layer and continuing onto the foundation adjacent to the walls of the house for forming a self  
supporting monocoque shell.

35

8. A concrete monocoque shell house comprising:  
a foundation;

5 a plurality of preformed foamed plastic blocks forming the structure of the house having walls and a roof, wherein the blocks form the walls in levels and wherein a level of each wall interlocks with a level of an adjacent wall; and

10 a layer of concrete over each of the inner and outer surfaces of the foamed plastic blocks forming the walls and roof and on the foundation adjacent to the blocks for forming a self supporting concrete monocoque shell.

9. A method for forming a monocoque concrete shell house comprising the steps of:  
forming a concrete foundation;

building a house structure on a foundation using a plurality of foam blocks; and

15 applying a layer of concrete covering the house structure internal and external surfaces and a portion of the foundation near the blocks, forming a concrete double monocoque shell house structure.

20 10. A method for forming a monocoque concrete shell house as recited in claim 9 wherein the step of forming a concrete foundation comprises the step of forming a ledge on the foundation perimeter for supporting the blocks interfacing with the foundation.

25 11. A method for forming a monocoque concrete shell house as recited in claim 9 further comprising the step of attaching the blocks that interface with the foundation to the foundation.

12. A method for forming a monocoque concrete shell house as recited in claim 9 further comprising the step of tying down the foamed plastic blocks on the foundation.

30 13. A method for forming a monocoque shell house as recited in claim 9 further comprising the step of building each wall a level at a time in sequence with the other walls, wherein a level of each nonadjacent wall is built first, followed by building a level of each of the remaining walls.

35 14. A method for forming a monocoque concrete shell house as recited in claim 9 wherein the step of applying the layer of concrete comprises the step of spraying the layer of concrete.

15. A method for forming a monocoque concrete shell house comprising the steps of:

forming a concrete foundation;

erecting a house form on a foundation using a plurality of  
5 foam plastic blocks selected from a suite of plastic blocks which interlock with each other in perpendicular directions; and applying a layer of concrete covering the house form inner and outer surfaces and a portion of the foundation adjacent to the  
10 blocks, the layers of concrete each interfacing with the foundation for forming a self supporting concrete monocoque shell house structure.

16. A double monocoque concrete structure, comprising:

a core structure comprised of foam plastic presenting  
15 opposite sides and arranged in a desired shape;

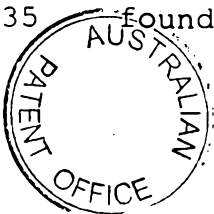
a layer of concrete on each of the opposite sides of the core structure such that each layer constitutes a load bearing concrete shell thereby forming the double monocoque concrete structure.

17. The double monocoque concrete structure according to claim 16, wherein each load bearing concrete shell is comprised of at least one thin layer of concrete having a thickness of approximately 8.0 mm.

18. The double monocoque concrete structure according to claim 16, wherein the double monocoque structure comprises a wall.

19. The double monocoque concrete structure according to claim 18, including a concrete foundation supporting the wall.

20. The double monocoque concrete structure according to claim 19, including means for tying down the wall to the  
35 foundation.



**AMENDED SHEET**

17 JUL 1998

21. The double monocoque concrete structure according to claim 19, wherein at least one of the concrete shells includes a continuous layer of concrete continuing onto the foundation forming a self-supporting monocoque shell.

5

22. The double monocoque concrete structure according to claim 19, wherein the foamed plastic core structure comprises a plurality of foamed plastic blocks supported by the foundation.

10

23. The double monocoque concrete structure according to claim 22, wherein the foundation comprises a ledge extending around a periphery of the foundation for supporting the blocks interfacing with the foundation.

15

24. The double monocoque concrete structure according to claim 22, wherein the concrete structure comprises a building having walls and a roof and the core structure has the desired shape of the walls and the roof.

20

25. The double monocoque concrete structure according to claim 24, wherein the foamed plastic blocks form the walls in levels and a level of each wall interlocks with a level of an adjacent wall.

25

26. The double monocoque concrete structure according to claim 22, wherein the layer of concrete over each of the opposite sides of the core structure extends onto the foundation to form a self-supporting monocoque concrete shell.

30

27. The double monocoque concrete structure according to claim 22, wherein the foam plastic blocks interlock with one another.



IDEA/US 17 JUL 1980

28. The double monocoque concrete structure according to claim 16, wherein the double monocoque structure comprises a loading bearing component of a building.

5 29. The double monocoque concrete structure according to claim 28, wherein the load bearing component comprises a wall of the building.

10 30. The double monocoque concrete structure according to claim 28, wherein the load bearing component comprises a roof of the building.

15 31. The double monocoque concrete structure according to claim 16, wherein the concrete is fortified with fibers.

32. The double monocoque concrete structure according to claim 16, wherein the concrete is fortified with an adhesive.

20 33. A method for constructing a building, comprising utilizing the double monocoque concrete structure of claim 16 as a load bearing component of the building.

34. A method of forming a double monocoque concrete structure, comprising:

25 forming a core structure of foamed plastic in a desired shape having opposite sides; and

applying to each of the opposite sides a layer of concrete to form respective load bearing concrete shells thereby forming the double monocoque concrete structure.

30 35. The method according to claim 34, wherein, the applying step includes applying at least one thin layer of concrete to each of the opposite sides to a thickness of approximately 8.0 mm.



27057072011  
17 JUL 1998  
11 JUL 1998

36. The method according to claim 34, wherein, the step of forming the core structure in a desired shape includes forming the core structure in a shape of a wall so that the double monocoque concrete structure comprises a double monocoque concrete wall having opposite load bearing shells.

5

37. The method according to claim 36, including forming a concrete foundation, wherein the step of forming the core structure includes forming the core structure on the concrete foundation.

10

38. The method according to claim 37, wherein the applying step includes applying at least one of the concrete shells as a continuous layer onto the foundation thereby forming a self-supporting monocoque shell.

15

39. The method according to claim 36, including tying the double monocoque wall to the foundation.

20

40. The method according to claim 34, wherein the step of forming the core structure includes forming the core structure from a plurality of foam plastic blocks.

25

41. The method according to claim 34, wherein the step of forming the core structure includes forming the core structure with foam plastic blocks that interlock with one another.

30

42. A method of constructing a building, comprising:  
forming a core structure of foamed plastic having opposite sides in a desired shape of a load bearing component of the building; and

35

applying to each of the opposite sides a layer of concrete to form respective load bearing concrete shells thereby forming a double monocoque concrete load bearing component of the building.



AMENDED SHEET

43. The method according to claim 42, wherein the load bearing component is a wall of the building.

44. The method according to claim 43, and further including forming a concrete foundation and erecting the wall on the foundation.

5 45. The method according to claim 44, including tying down the wall to the foundation.

46. The method according to claim 42, wherein the loading bearing component is a roof of the building.

47. A concrete monocoque shell house substantially as herein described with reference  
10 to any one of the embodiments of the invention illustrated in the accompanying drawings.

48. A method for forming a monocoque concrete shell house substantially as herein described with reference to any one of the embodiments of the invention illustrated in the accompanying drawings.

15 49. A double monocoque concrete structure substantially as herein described with reference to any one of the embodiments of the invention illustrated in the accompanying drawings.

50. A method of forming a double monocoque concrete structure substantially as herein described with reference to any one of the embodiments of the invention  
20 illustrated in the accompanying drawings.

51. A method of constructing a building substantially as herein described with reference to any one of the embodiments of the invention illustrated in the accompanying drawings.

DATED THIS 21<sup>st</sup> Day of January 2000  
25 MONOTECH INTERNATIONAL, INC.

Attorney: RUSSELL J. DAVIES  
Fellow Institute of Patent Attorneys of Australia  
of BALDWIN SHELSTON WATERS



FIG. 1

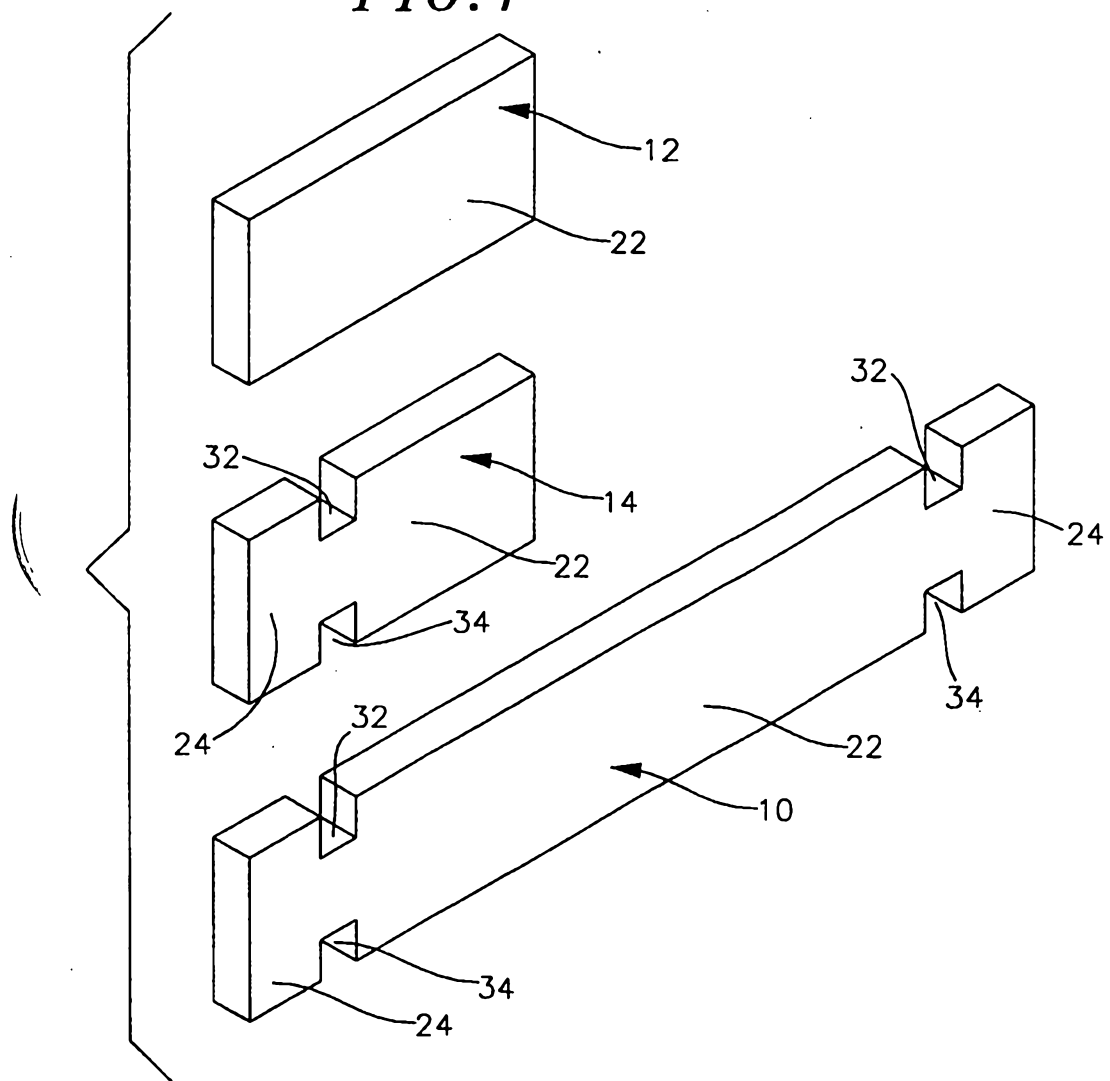
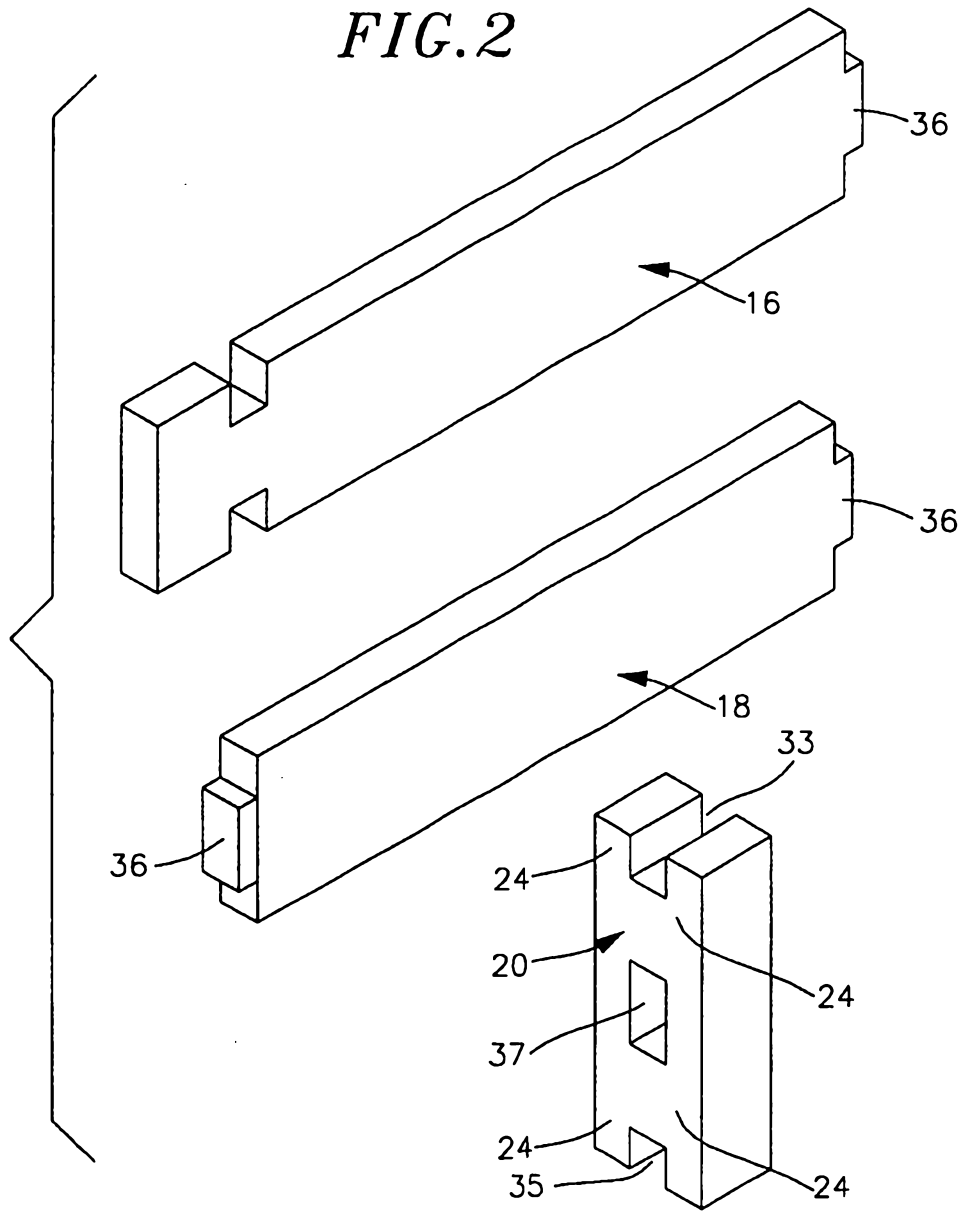


FIG. 2



*FIG. 3*

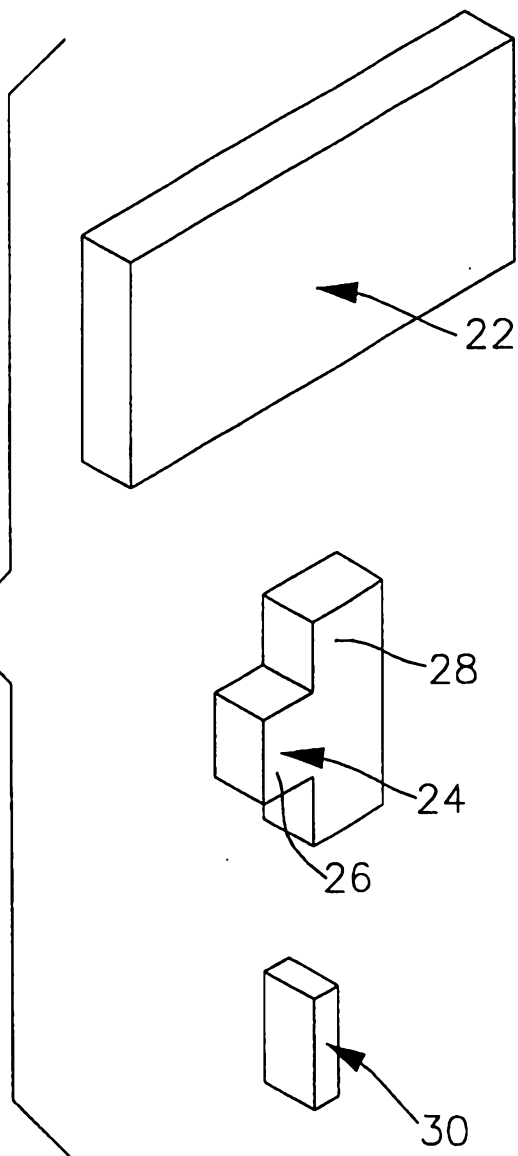


FIG. 4

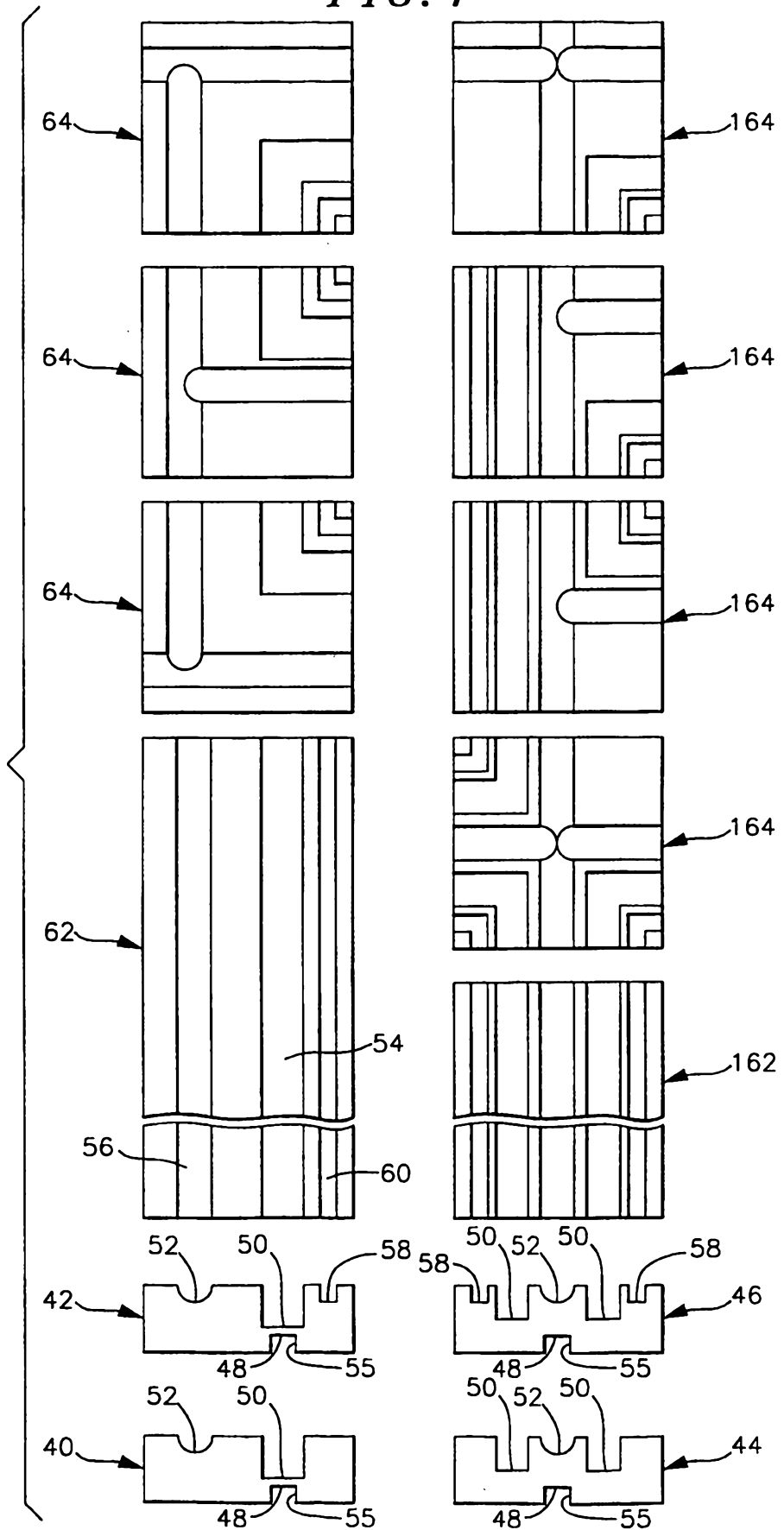


FIG. 5

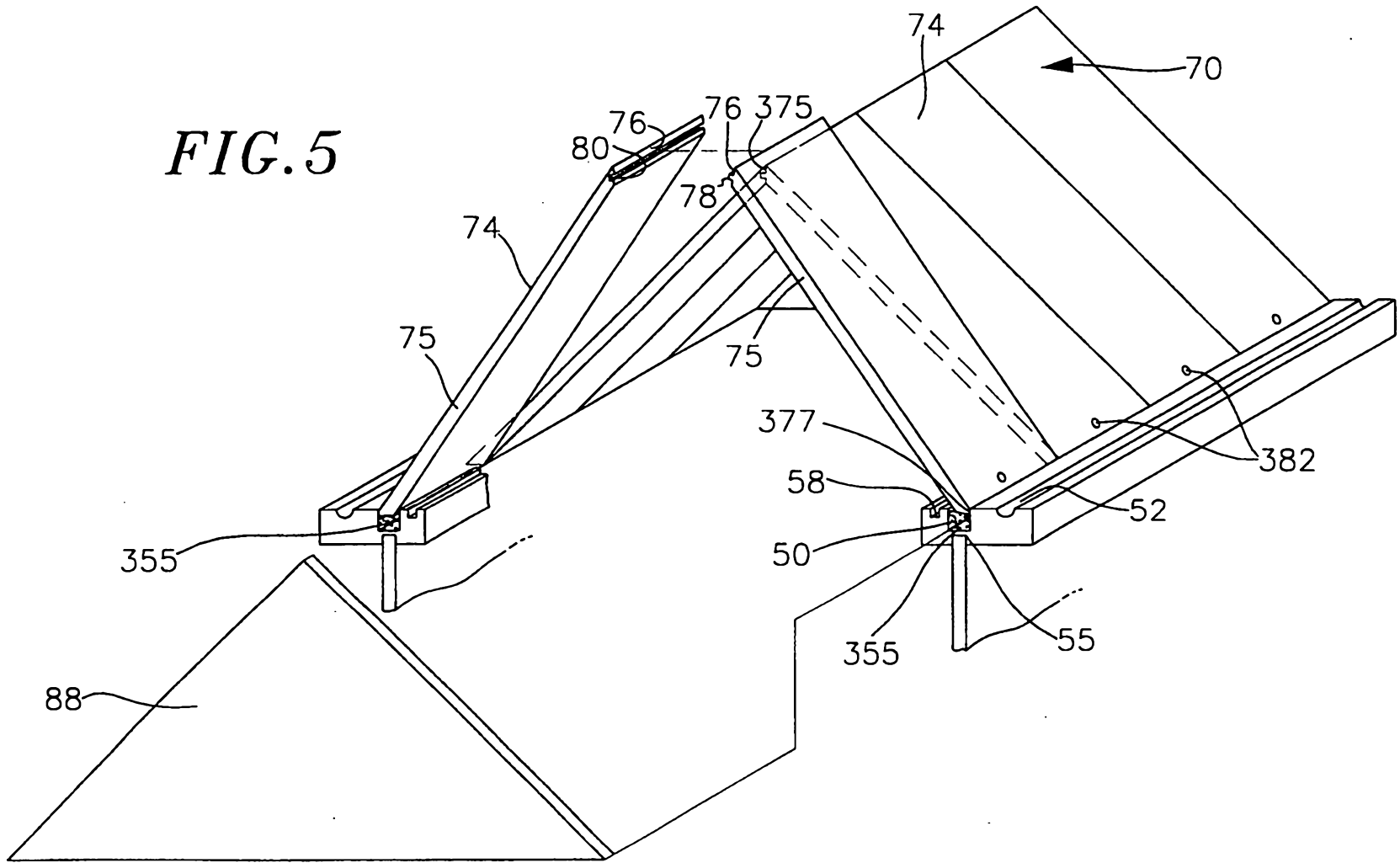


FIG. 6

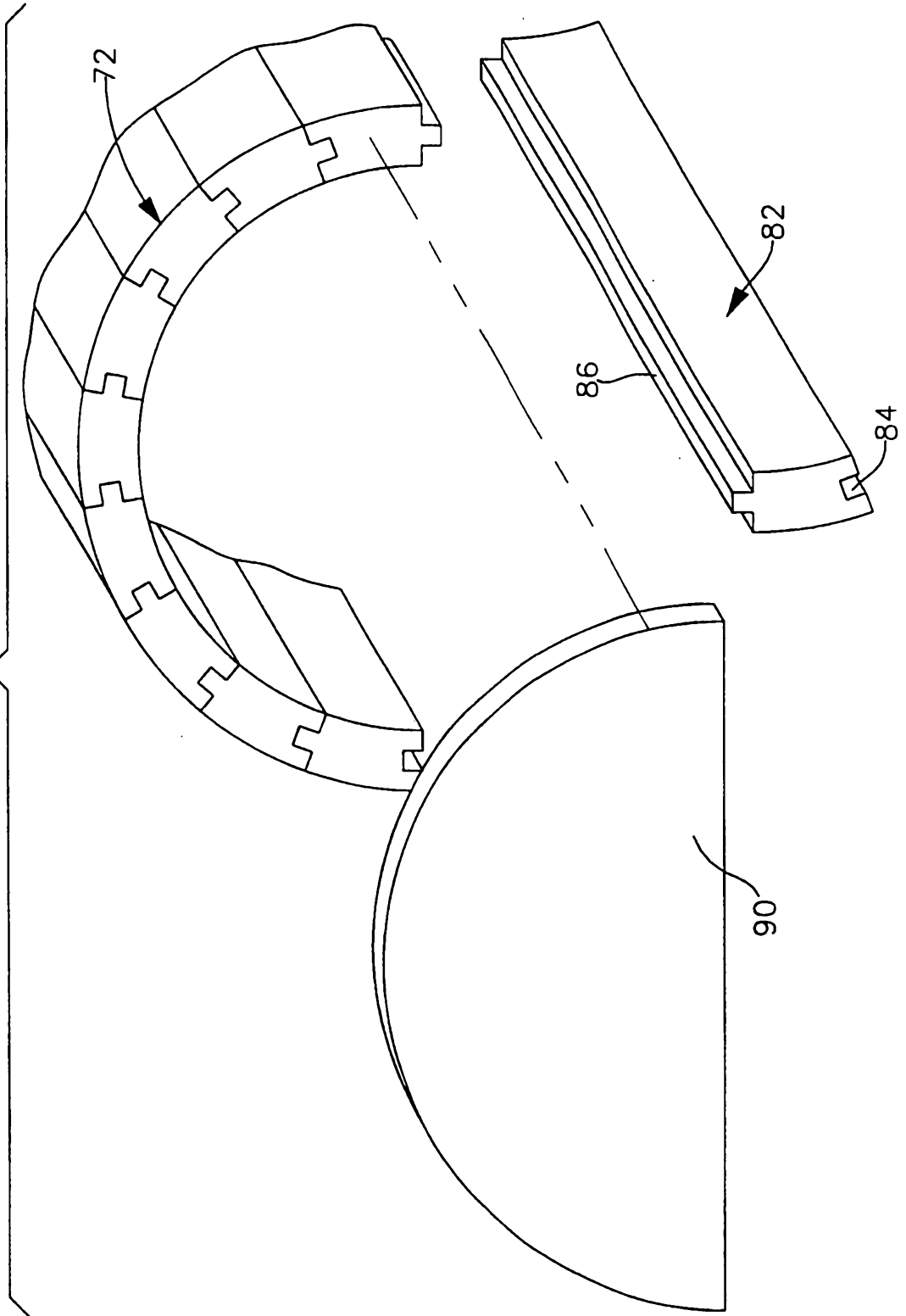


FIG. 7

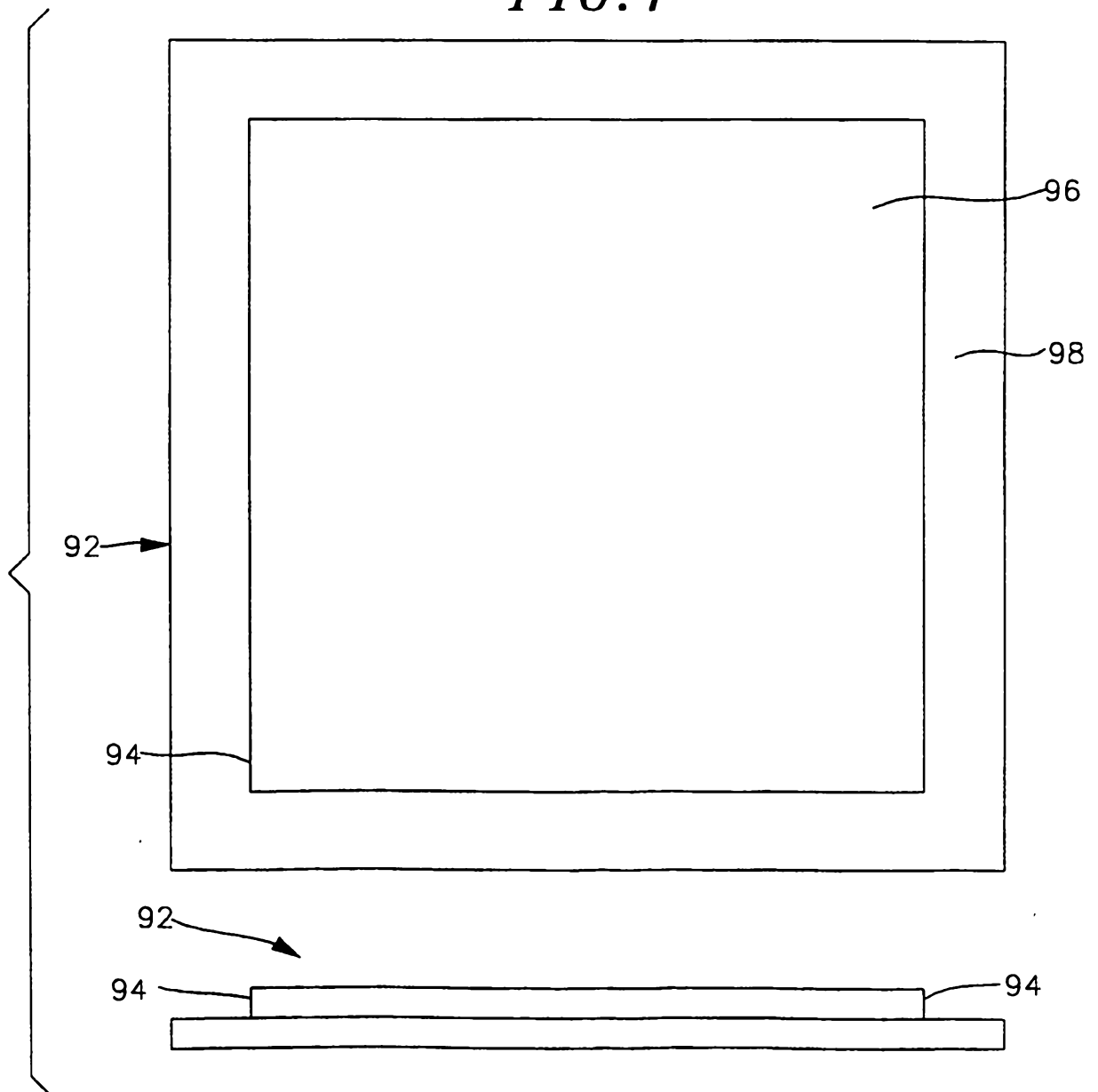


FIG. 8A

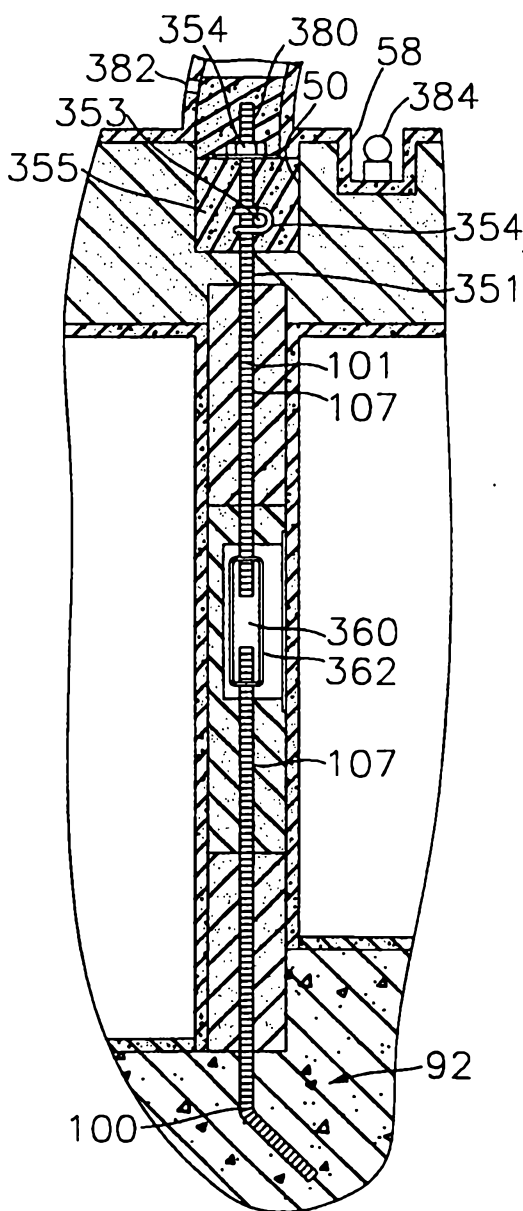
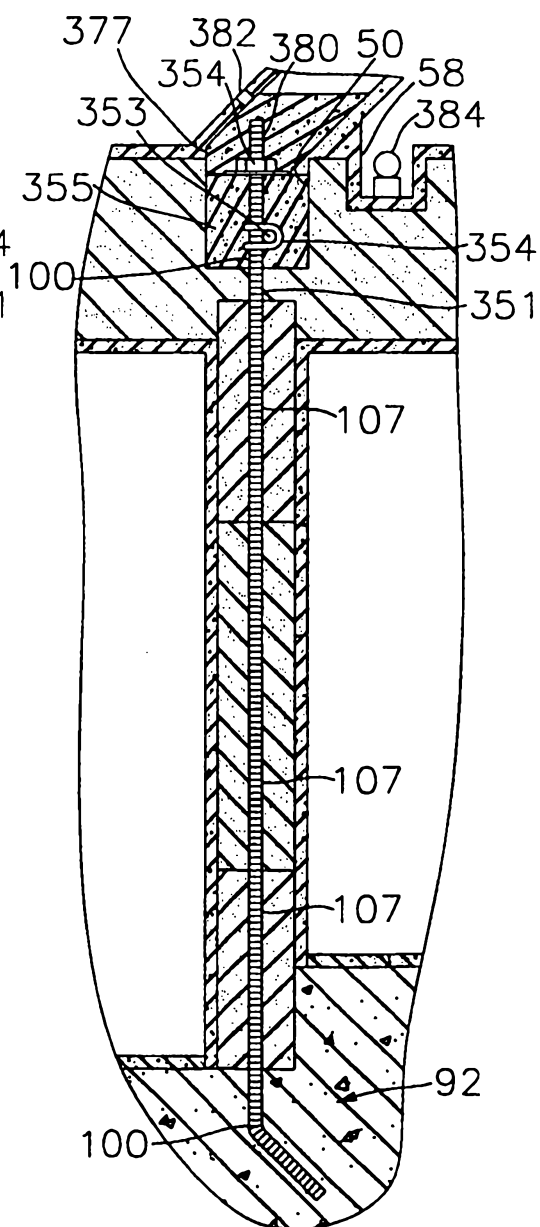
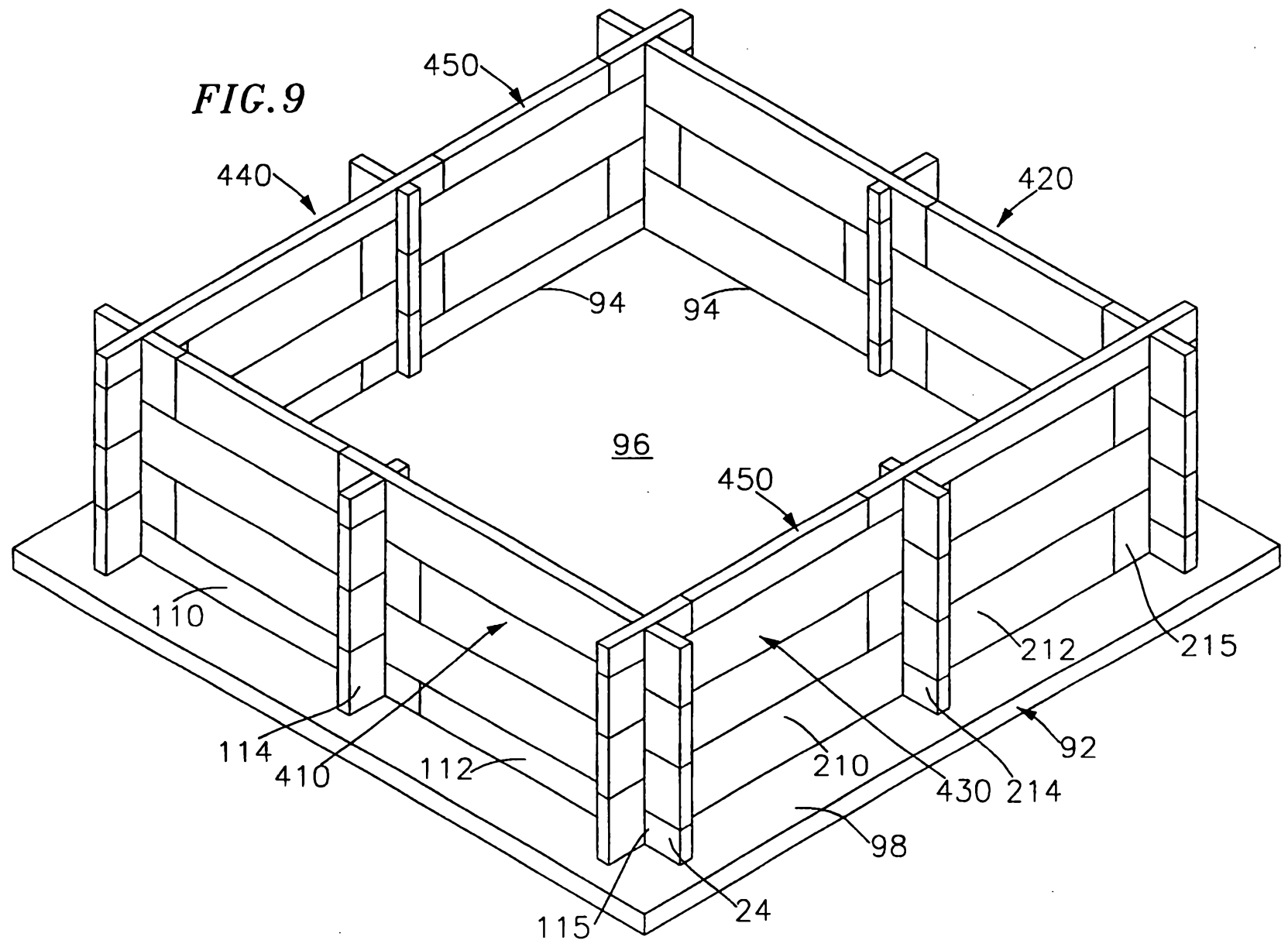


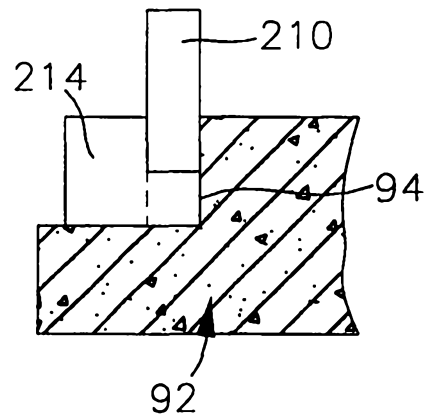
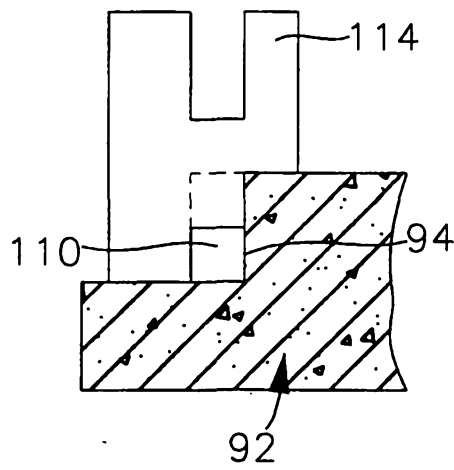
FIG. 8B



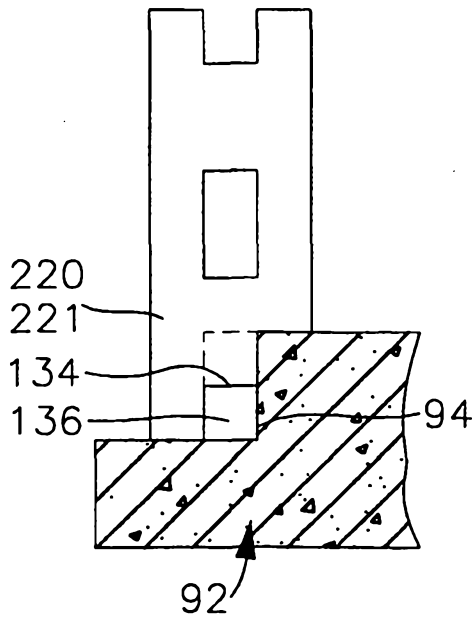
**FIG. 9**



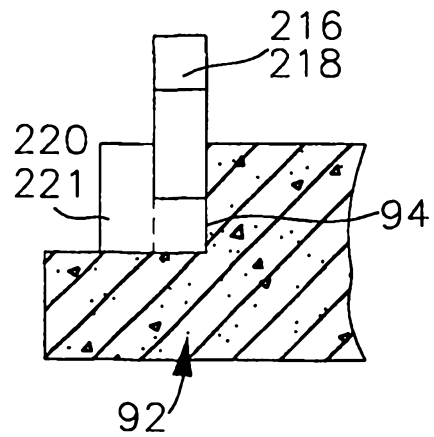
*FIG. 10A*      *FIG. 10B*



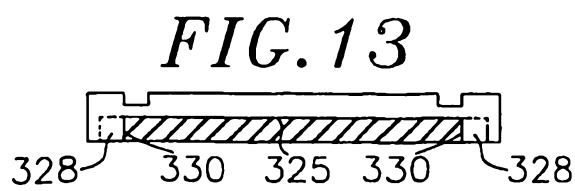
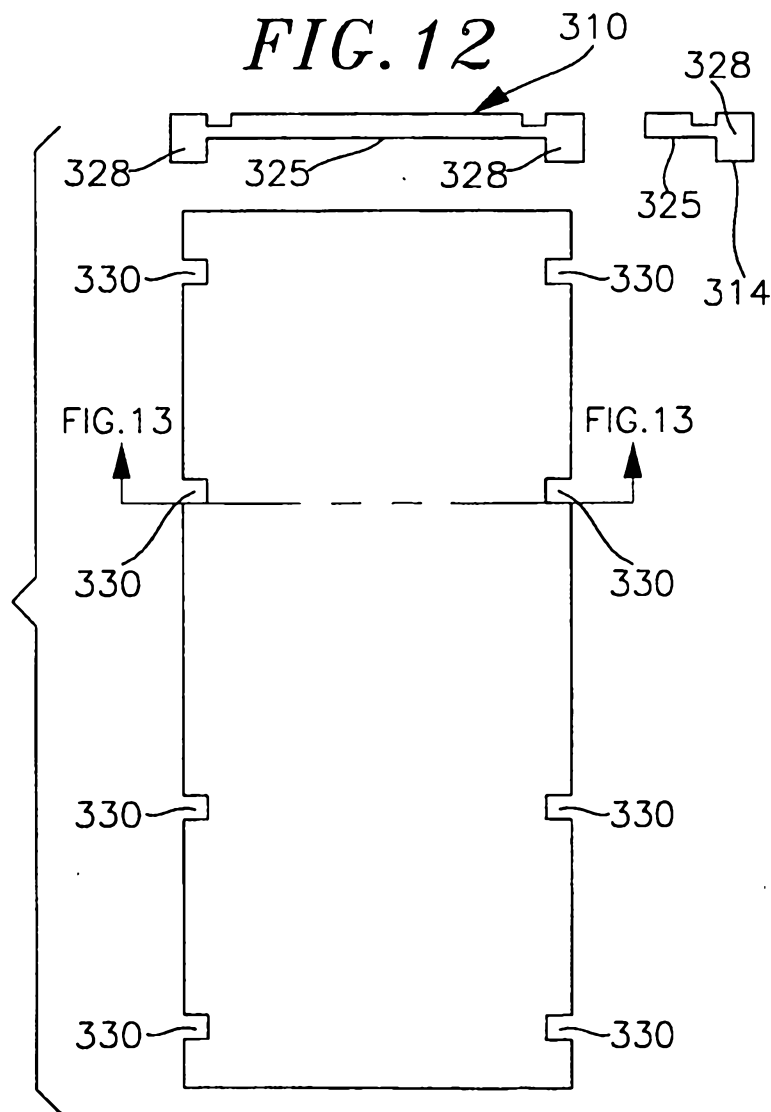
*FIG. 10C*



*FIG. 10D*







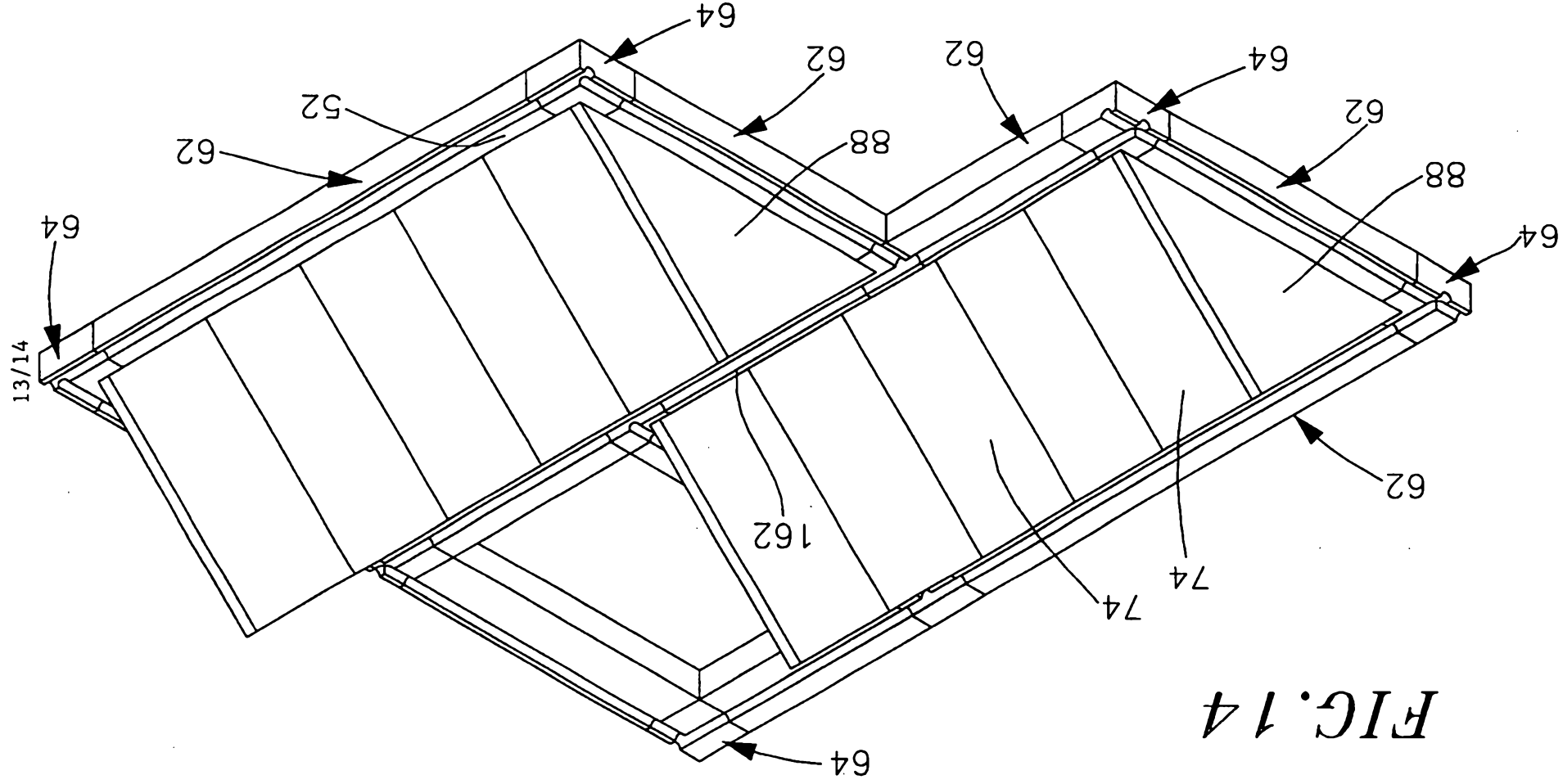


FIG. 14

*FIG. 15*

