



US00D426554S

**United States Patent** [19]  
**Wang**

[11] **Patent Number: Des. 426,554**  
[45] **Date of Patent: \*\* Jun. 13, 2000**

- [54] **AIR PUMP (4)**
- [75] Inventor: **Chiao-Ming Wang**, Taichung Hsien, Taiwan
- [73] Assignee: **Meiko Pet Corporation**, Taichung Hsien, Taiwan
- [\*\*] Term: **14 Years**
- [21] Appl. No.: **29/112,027**
- [22] Filed: **Oct. 12, 1999**
- [51] **LOC (7) Cl.** ..... **15-02**
- [52] **U.S. Cl.** ..... **D15/8**
- [58] **Field of Search** ..... D15/7-9; 815/8; 210/169, 416.2; D30/106; 417/234, 413 R, 410 R, 411, 424.1, 424.2

- D. 294,359 2/1988 Tsai ..... D15/8
- D. 306,449 3/1990 Shannon ..... D15/8

*Primary Examiner*—Ralf Seifert  
*Attorney, Agent, or Firm*—Rosenberg, Klein & Lee

[57] **CLAIM**

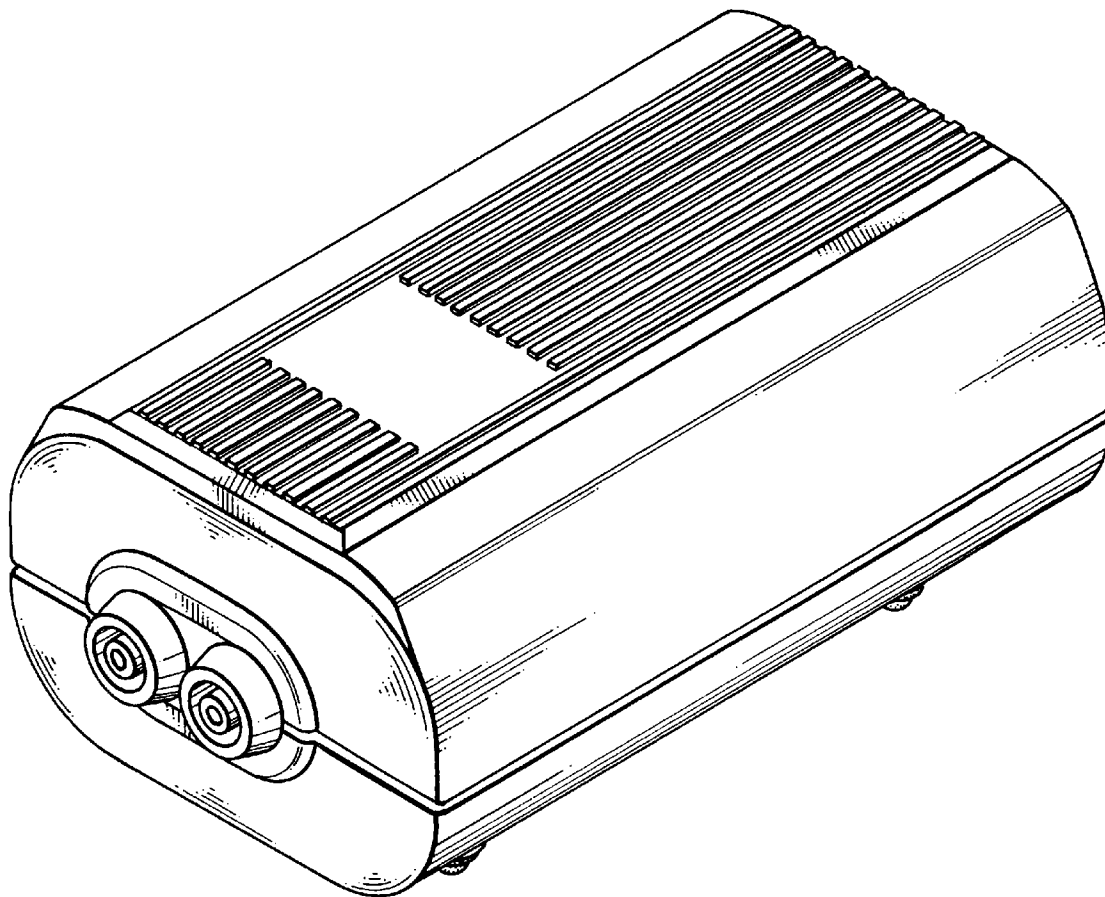
The ornamental design for an air pump (4), as shown and described.

**DESCRIPTION**

FIG. 1 is a perspective view of air pump (4) showing my new design;  
FIG. 2 is a front elevation view thereof;  
FIG. 3 is a rear elevation view thereof;  
FIG. 4 is a left side elevation view thereof;  
FIG. 5 is a right side elevation view thereof;  
FIG. 6 is a top plan view thereof; and,  
FIG. 7 is a bottom plan view thereof.

- [56] **References Cited**
- U.S. PATENT DOCUMENTS
- D. 263,593 3/1982 Goldman et al. .... D15/8

**1 Claim, 4 Drawing Sheets**



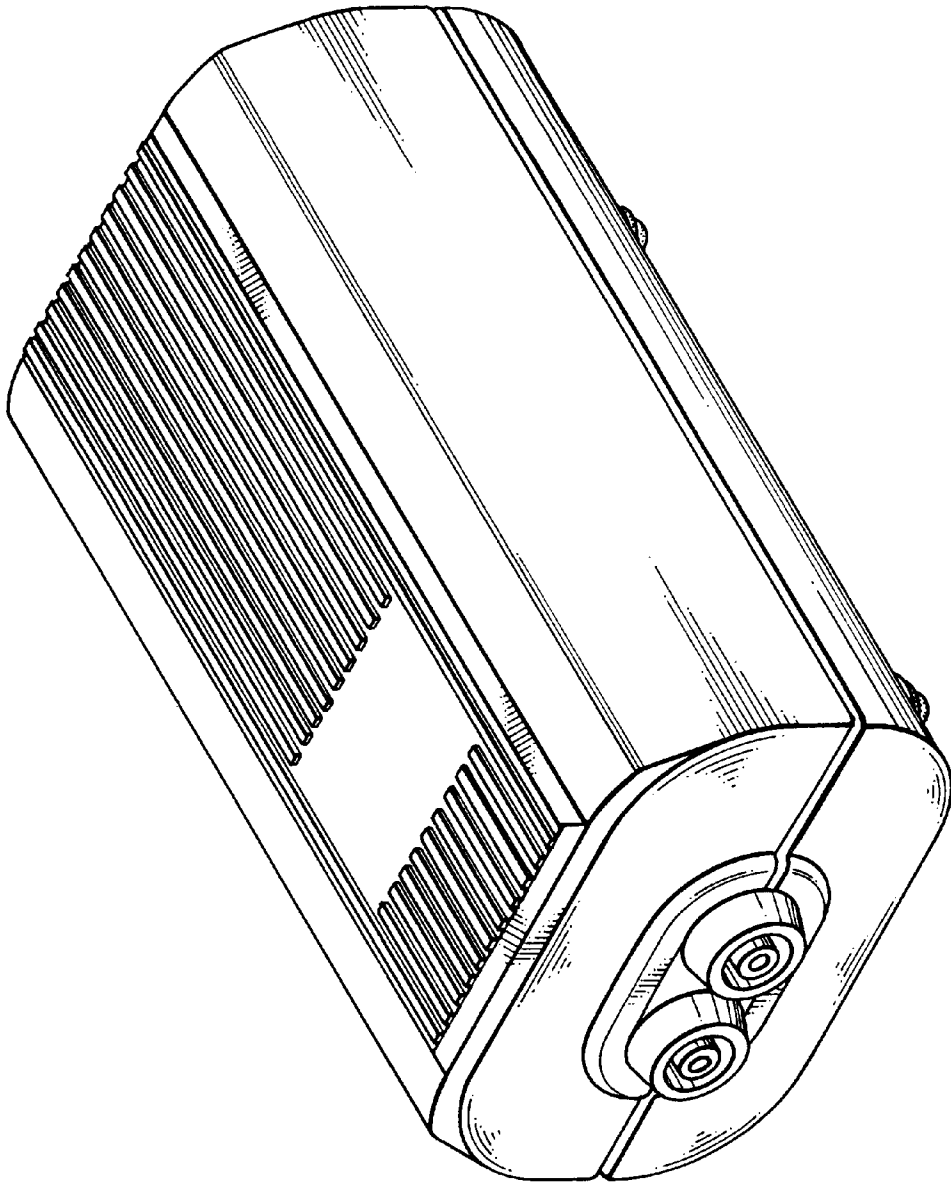


FIG. 1

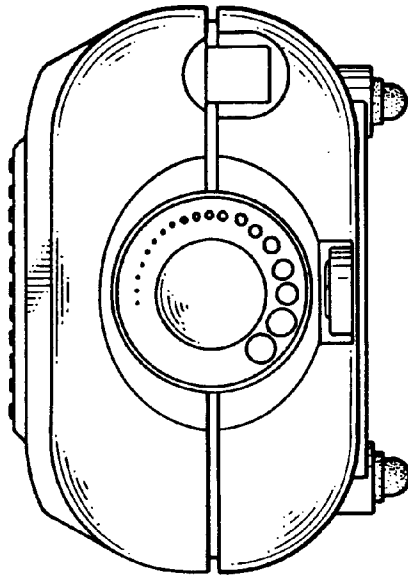


FIG. 3

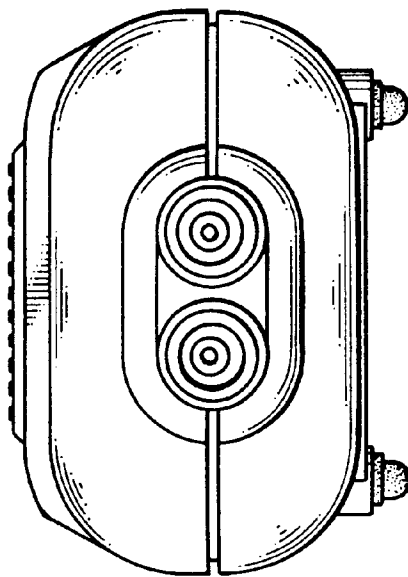


FIG. 2

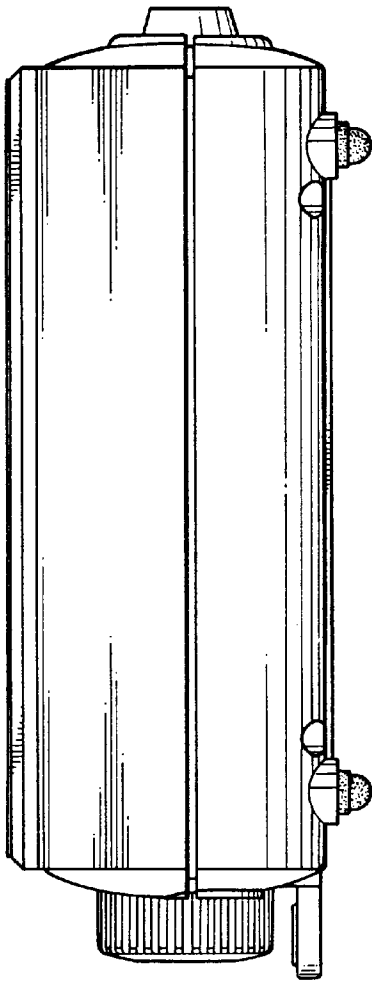


FIG. 4

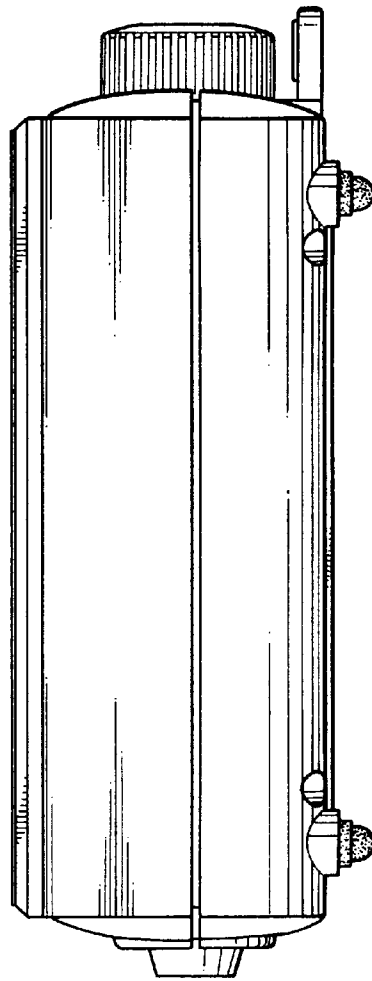


FIG. 5

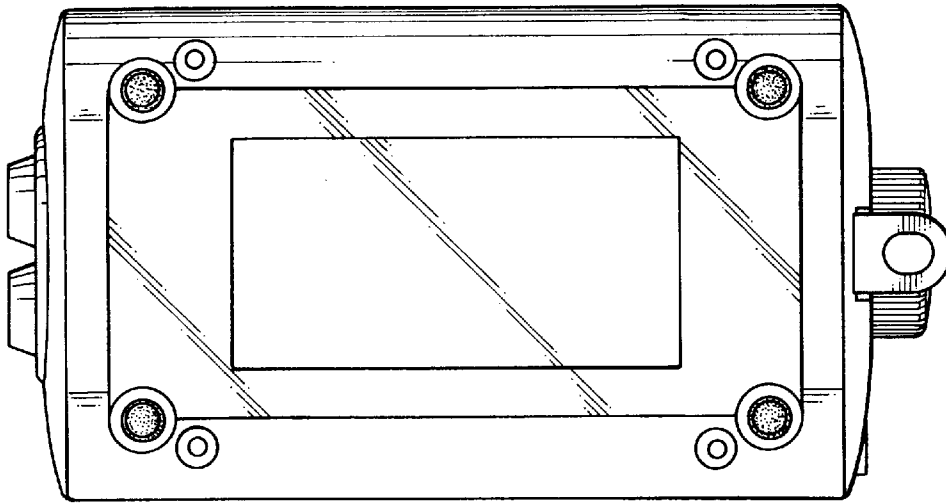


FIG. 7

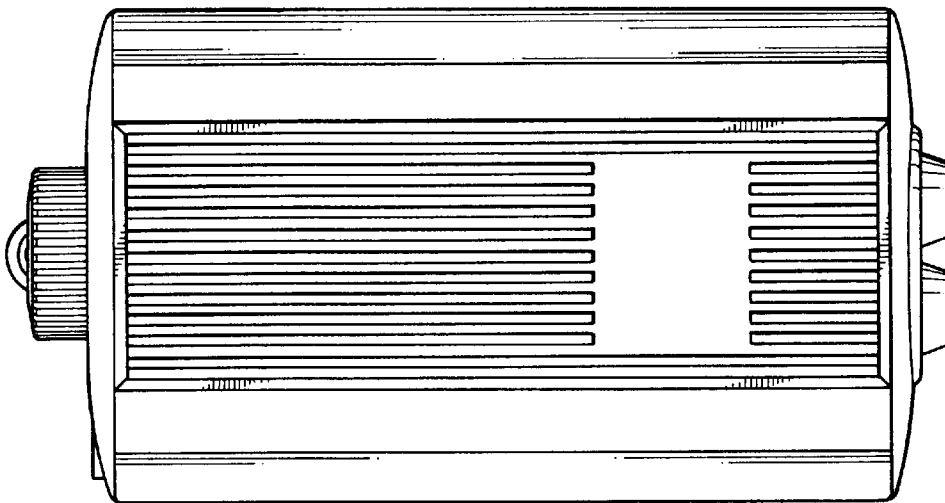


FIG. 6