



US00D754841S

(12) **United States Design Patent**  
**Waldman et al.**

(10) **Patent No.:** **US D754,841 S**

(45) **Date of Patent:** **\*\* Apr. 26, 2016**

(54) **ORAL DOSAGE FORM**

(75) Inventors: **Joel Waldman**, Chalfont, PA (US);  
**Fernanda Franzoi**, São Paulo (BR)

(73) Assignees: **Johnson & Johnson Consumer Inc.**,  
Skillman, NJ (US); **Johnson & Johnson**  
**Industrial LTDA**, Sao Paulo (BR)

D535,016	S	*	1/2007	Stawski et al.	.....	D24/101
7,169,450	B2		1/2007	Bunick		
D549,724	S	*	8/2007	Nijjima	.....	D14/491
D549,725	S	*	8/2007	Nijjima	.....	D14/491
D564,086	S	*	3/2008	Nielsen et al.	.....	D24/101
D636,865	S	*	4/2011	Vepuri	.....	D24/103
D667,430	S	*	9/2012	Ouilhet et al.	.....	D14/489
D671,636	S	*	11/2012	Nishino	.....	D24/101
D685,460	S	*	7/2013	Illing et al.	.....	D24/101
2004/0146559	A1		7/2004	Sowden et al.		
2007/0098931	A1		5/2007	Bunick		
2008/0317678	A1		12/2008	Szymczak et al.		

(\*\*) Term: **14 Years**

(21) Appl. No.: **29/412,547**

**FOREIGN PATENT DOCUMENTS**

(22) Filed: **Feb. 3, 2012**

WO D 000679089 8/2007

(51) **LOC (10) Cl.** ..... **24-01**

\* cited by examiner

(52) **U.S. Cl.**

USPC ..... **D24/101**

(58) **Field of Classification Search**

USPC ..... D24/100-104; D1/100, 127, 130;  
D23/207, 208; 604/287, 288, 403;  
206/1.5, 528, 530-539; 424/10.2, 10.3,  
424/408, 438, 439, 451, 472, 473, 475,  
424/453-456, 464-469

See application file for complete search history.

*Primary Examiner* — Susan Hattan  
*Assistant Examiner* — Charles Hanson  
(74) *Attorney, Agent, or Firm* — Victor Tsu

(57) **CLAIM**

The ornamental design for an oral dosage form, as shown and described.

**DESCRIPTION**

FIG. 1 is a front right bottom perspective view of an oral dosage form, showing our claimed design; FIG. 2 is a front plan view of the oral dosage form of FIG. 1; FIG. 3 is a back plan view of the oral dosage form of FIG. 1; FIG. 4 is a left end view of the oral dosage form of FIG. 1; FIG. 5 is a right end view of the oral dosage form of FIG. 1; FIG. 6 is a top end view of the oral dosage form of FIG. 1; FIG. 7 is a bottom end view of the oral dosage form of FIG. 1; FIG. 8 is a front, left, top perspective view of the oral dosage form of FIG. 1; FIG. 9 is a cross-sectional view along line 9-9 of FIG. 2; and, FIG. 10 is a cross-sectional view along line 10-10 of FIG. 2.

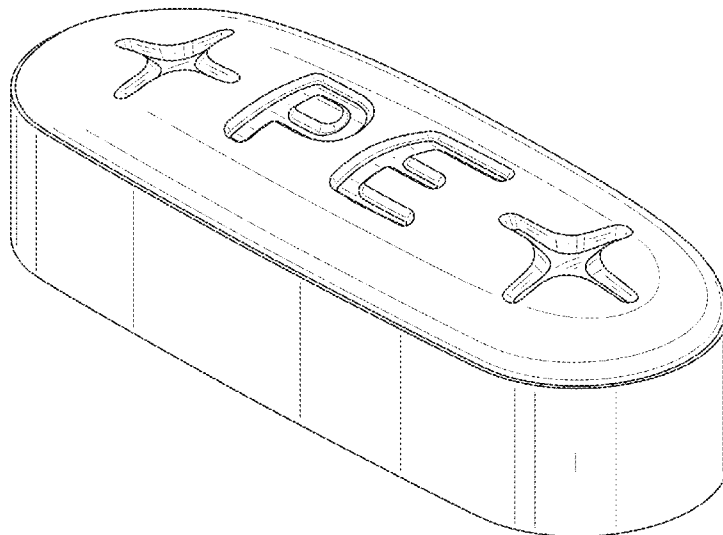
**1 Claim, 6 Drawing Sheets**

(56)

**References Cited**

**U.S. PATENT DOCUMENTS**

3,281,620	A	*	10/1966	Miller	.....	313/113
4,503,031	A	*	3/1985	Glassman	.....	424/467
D285,364	S	*	8/1986	Tovey	.....	D24/101
D304,626	S	*	11/1989	Contractor et al.	.....	D24/102
D334,420	S	*	3/1993	Gladfelter et al.	.....	D23/207
D334,421	S	*	3/1993	Gladfelter et al.	.....	D23/207
D377,977	S	*	2/1997	Price et al.	.....	D24/101
D431,076	S		9/2000	Chen et al.		
D434,846	S	*	12/2000	Chen et al.	.....	D24/102
D459,798	S	*	7/2002	Desesquelle et al.	.....	D24/101
D506,544	S	*	6/2005	Rinker et al.	.....	D24/101
D515,202	S	*	2/2006	Chen et al.	.....	D24/102
D534,646	S	*	1/2007	Chang et al.	.....	D24/101



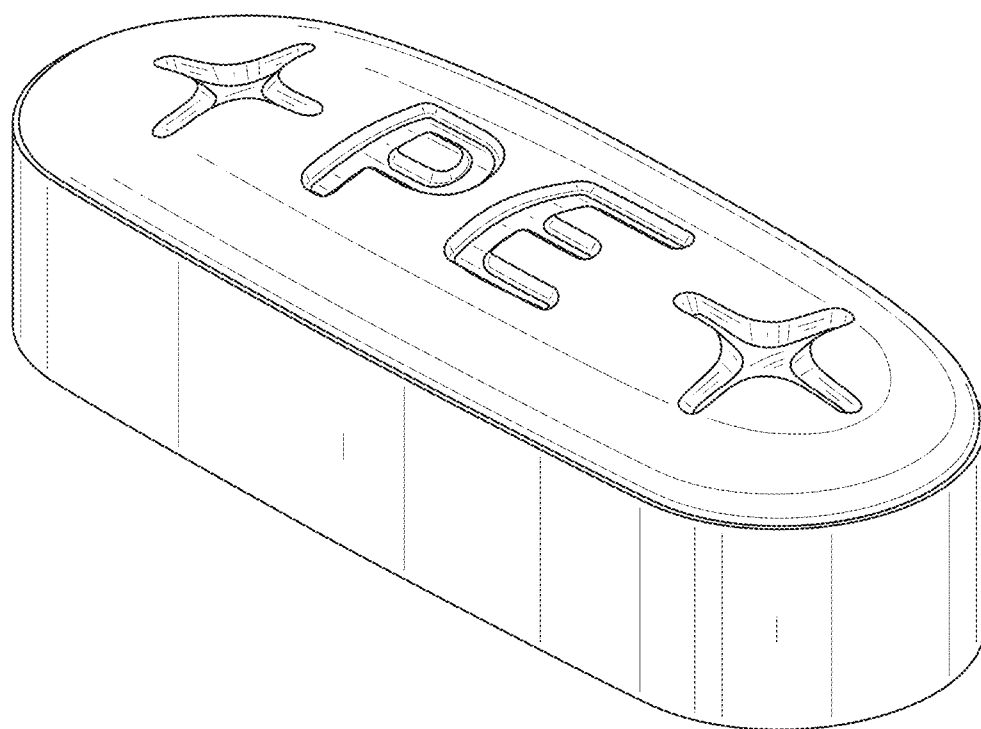


FIG. 1

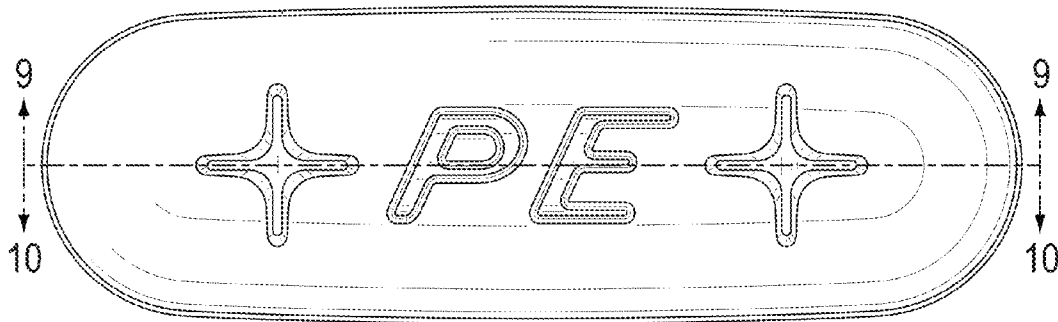


FIG. 2



FIG. 3

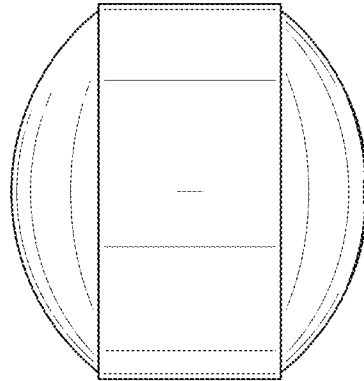


FIG. 4

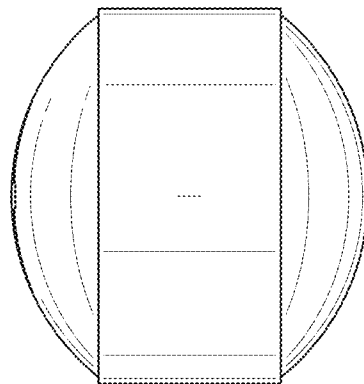


FIG. 5

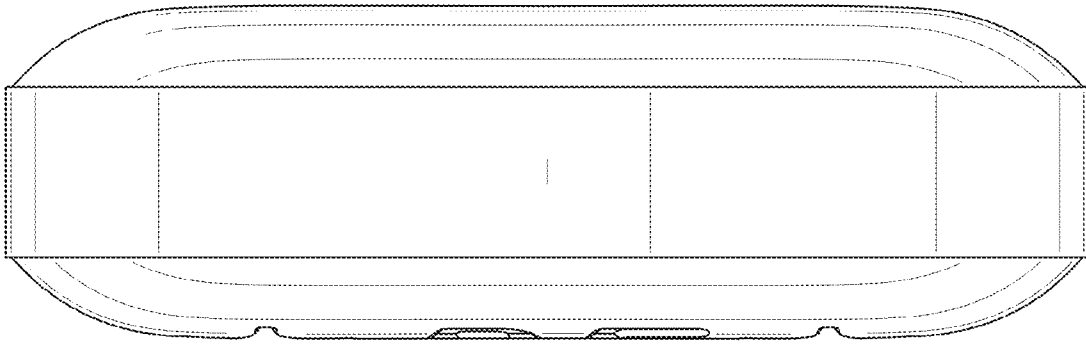


FIG. 6

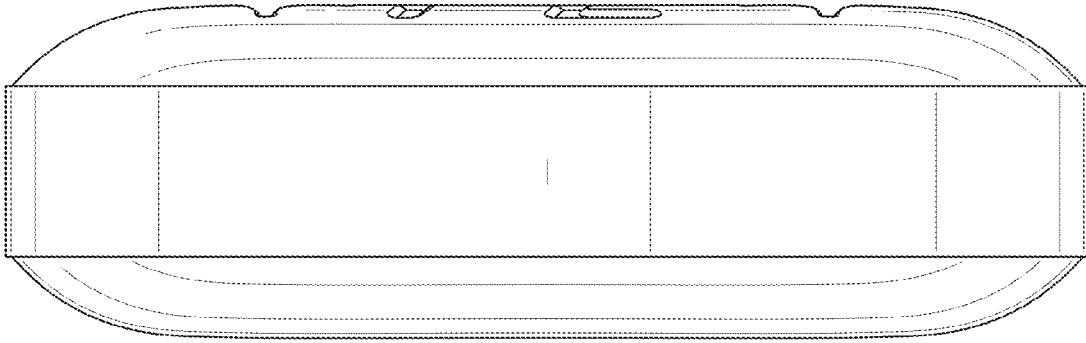


FIG. 7

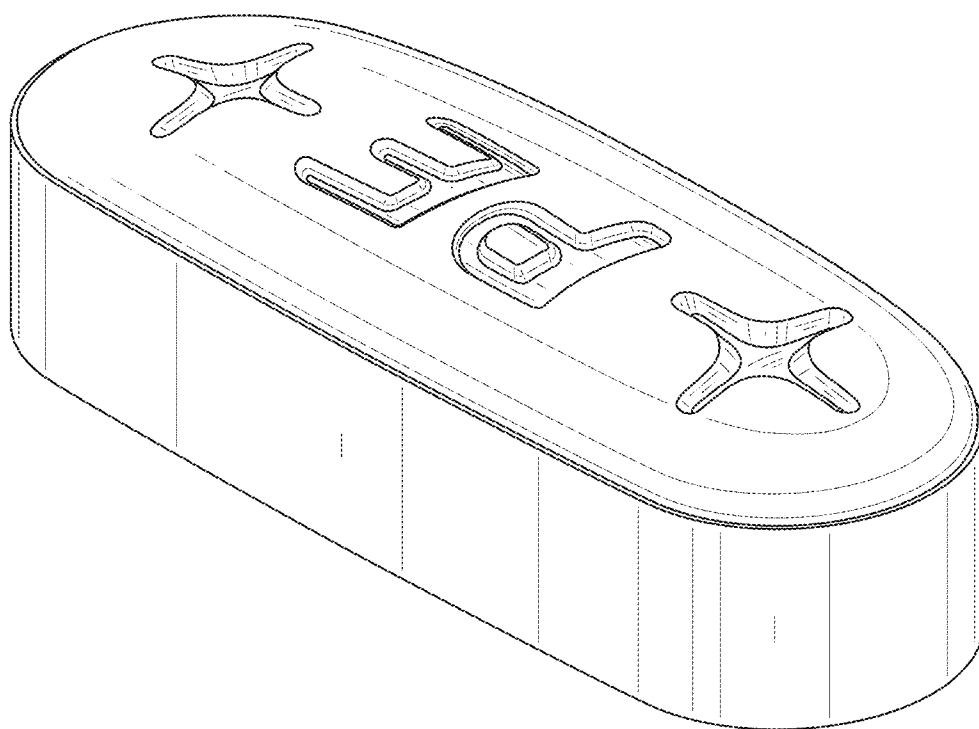


FIG. 8

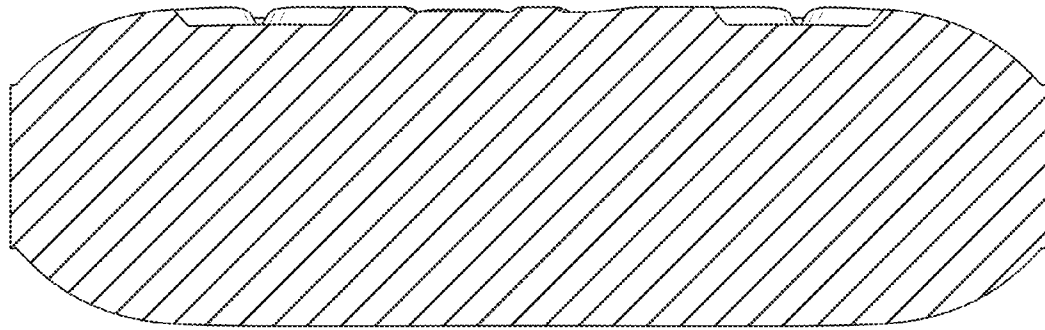


FIG. 9

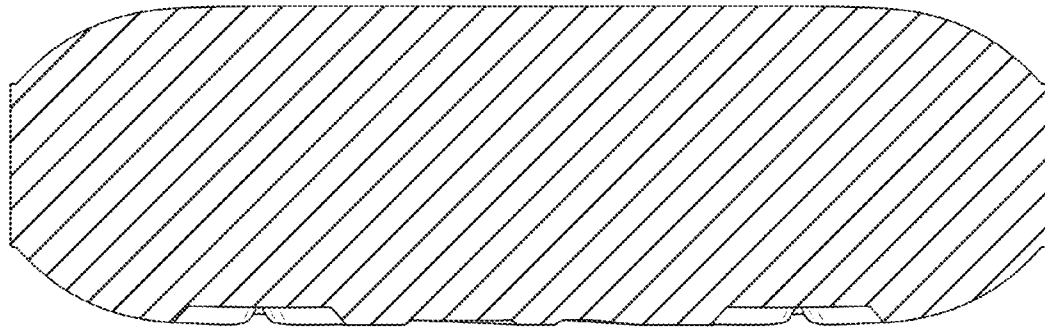


FIG. 10