



US00D893448S

(12) **United States Design Patent**
Wall et al.

(10) **Patent No.:** **US D893,448 S**

(45) **Date of Patent:** **** Aug. 18, 2020**

- (54) **RADIO RECEIVER**
- (71) Applicant: **Live Sports Radio LLC**, Rochester Hills, MI (US)
- (72) Inventors: **Alexander Wall**, West End (AU); **Mitchell Dunn**, West End (AU); **Reid Price**, West End (AU); **Daniel Reid**, West End (AU); **Jared Gilsenan**, West End (AU)
- (73) Assignee: **Live Sports Radio LLC**, Rochester Hills, MI (US)

- D284,859 S 7/1986 Okada
- 4,649,570 A 3/1987 Terbrack et al.
- D293,107 S 12/1987 Muller
- 4,727,599 A 2/1988 Rappaport et al.
- D319,830 S 9/1991 Miyai
- D321,881 S 11/1991 Hopewell
- D326,653 S 6/1992 Hino
- 5,146,619 A 9/1992 Brown
- D419,564 S * 1/2000 McDonald D14/223
- D456,384 S 4/2002 Ng
- D457,154 S 5/2002 Ng
- D477,822 S * 7/2003 Komiyama D14/223

(Continued)

- (**) Term: **15 Years**
- (21) Appl. No.: **29/723,577**

(22) Filed: **Feb. 7, 2020**

(51) **LOC (12) Cl.** **14-03**

(52) **U.S. Cl.**
USPC **D14/192**; D14/205; D14/223

(58) **Field of Classification Search**
USPC D14/147, 192, 205, 206, 223, 226, 229, D14/240, 249, 344, 372, 162, 169, 175, D14/179, 197, 198, 217, 357, 265, 299
CPC B60R 11/0217; G06F 1/1688; G10K 9/22; G10K 11/004; H03F 1/327; H04M 1/03; H04M 1/035; H04N 5/642; H04N 21/4852; H04R 1/02; H04R 1/06; H04R 1/021; H04R 1/025; H04R 1/026; H04R 1/028; H04R 1/105; H04R 1/323; H04R 1/403; H04R 1/2803; H04R 1/2834; H04R 5/02; H04R 7/20; H04R 9/06; H04R 9/025; H04R 2201/021; H04R 2400/00; H04R 2201/07; H04R 2499/11; H04R 2499/13; H04R 2499/15; H04R 1/1008; H04R 1/1016; H04S 3/00; H04S 7/30

See application file for complete search history.

(56) **References Cited**

U.S. PATENT DOCUMENTS

- D174,053 S 2/1955 Norris
- D179,151 S 11/1956 Norris

OTHER PUBLICATIONS

Notice of Allowance and Fee(s) Due dated Jun. 26, 2020 pertaining to U.S. Appl. No. 29/723,574, filed Feb. 7, 2020, 11 pgs.

Primary Examiner — Keli L Hill

(74) *Attorney, Agent, or Firm* — Dinsmore & Shohl LLP

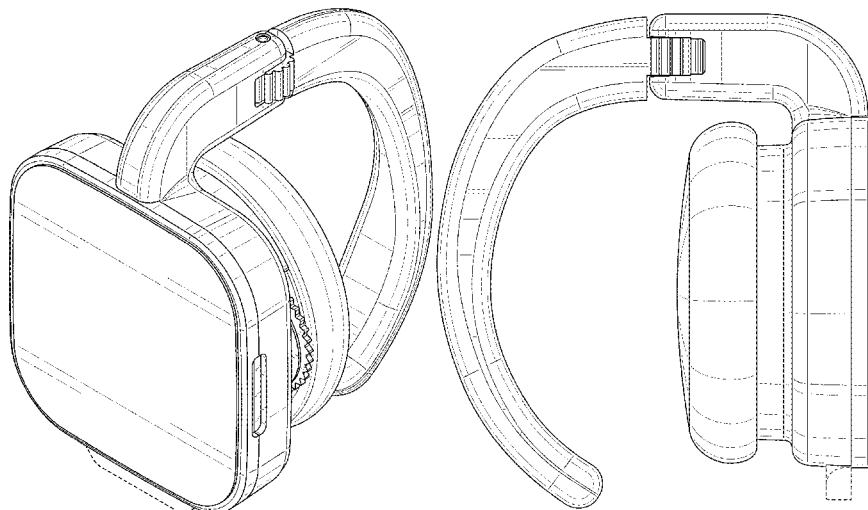
(57) **CLAIM**

The ornamental design for a radio receiver, as shown and described.

DESCRIPTION

FIG. 1 is a top front and side perspective view of an embodiment of a radio receiver;
 FIG. 2 is a front elevation view of the radio receiver;
 FIG. 3 is a back elevation view of the radio receiver;
 FIG. 4 is a side elevation view of the radio receiver;
 FIG. 5 is an opposite side elevation view of the radio receiver;
 FIG. 6 is a top plan view of the radio receiver; and,
 FIG. 7 is a bottom plan view of the radio receiver.
 The broken lines depict portions of the radio receiver that form no part of the claimed design.

1 Claim, 7 Drawing Sheets



(56)

References Cited

U.S. PATENT DOCUMENTS

D478,573	S *	8/2003	Wrisley	D14/223
6,658,687	B1	12/2003	McDonald	
D516,054	S	2/2006	Chang	
D516,540	S	3/2006	Beauchemin et al.	
D539,787	S *	4/2007	Kim	D14/223
D542,303	S	5/2007	Cheng	
D545,813	S	7/2007	Ma	
D560,652	S	1/2008	Opperman	
D566,103	S *	4/2008	Sade	D14/223
D584,283	S *	1/2009	Soetejo	D14/205
D588,113	S *	3/2009	Bradford	D14/223
D594,443	S *	6/2009	Lee	D14/223
D609,701	S	2/2010	Hou	
7,937,127	B1	5/2011	Satoh et al.	
D705,748	S	5/2014	He	
D752,020	S *	3/2016	Petersen	D14/205
D772,873	S	11/2016	Kowal et al.	
D813,909	S	3/2018	Lacy-Nichols	
D816,051	S *	4/2018	Robbins	D14/137
D820,240	S *	6/2018	Holliday	D14/223
D853,994	S *	7/2019	Lin	D14/223
D873,232	S	1/2020	Zeng	

* cited by examiner

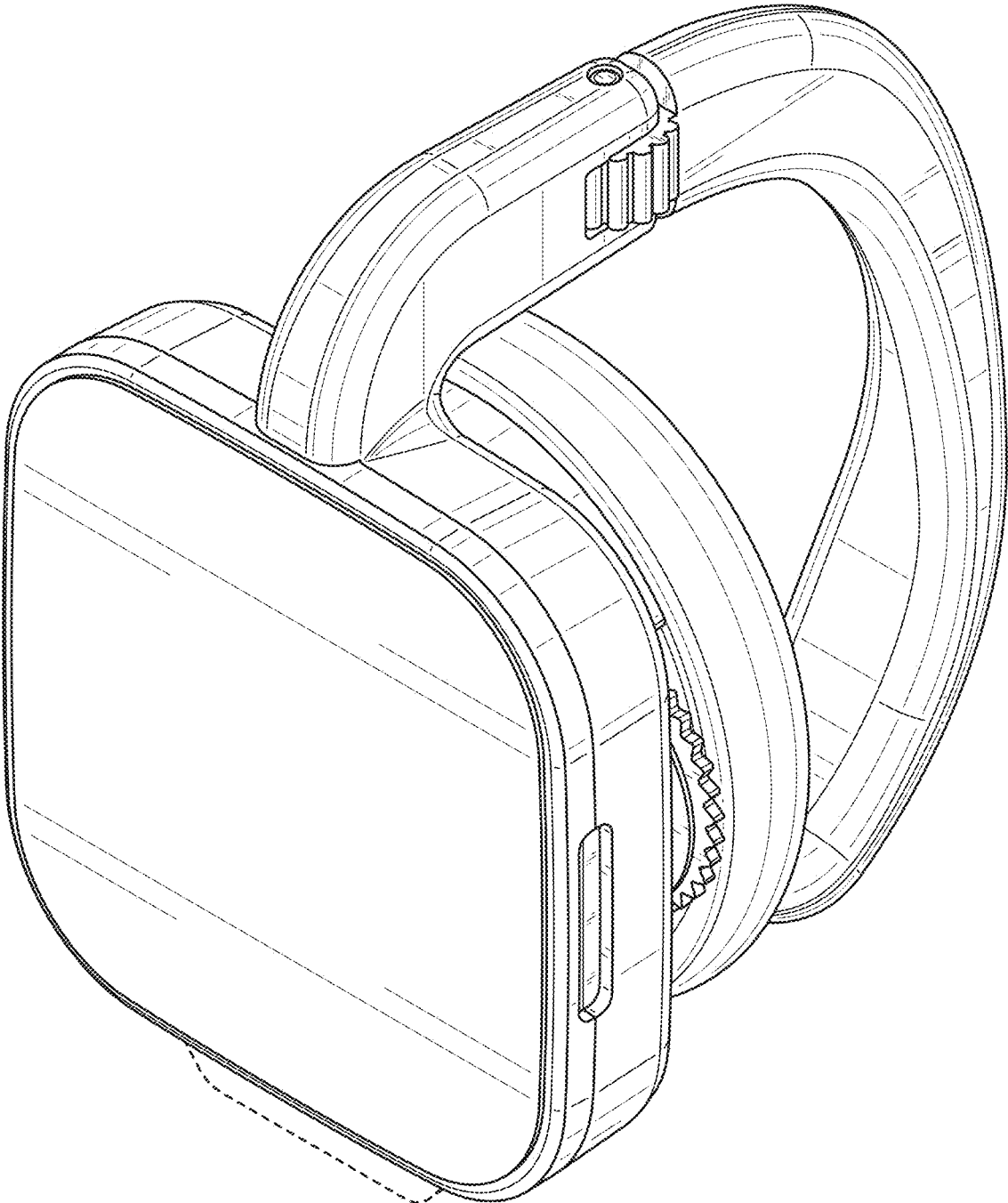


FIG. 1



FIG. 2

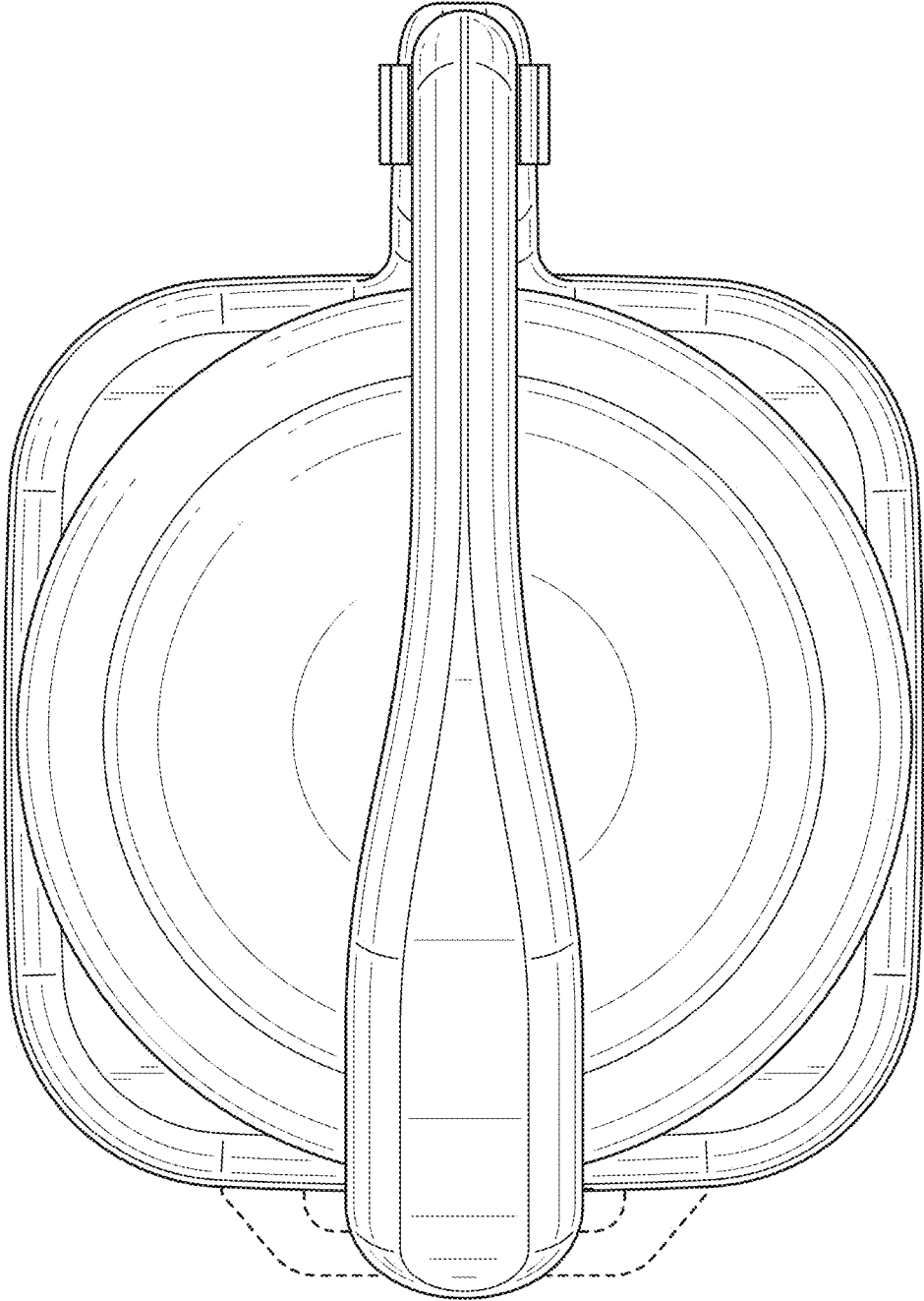


FIG. 3

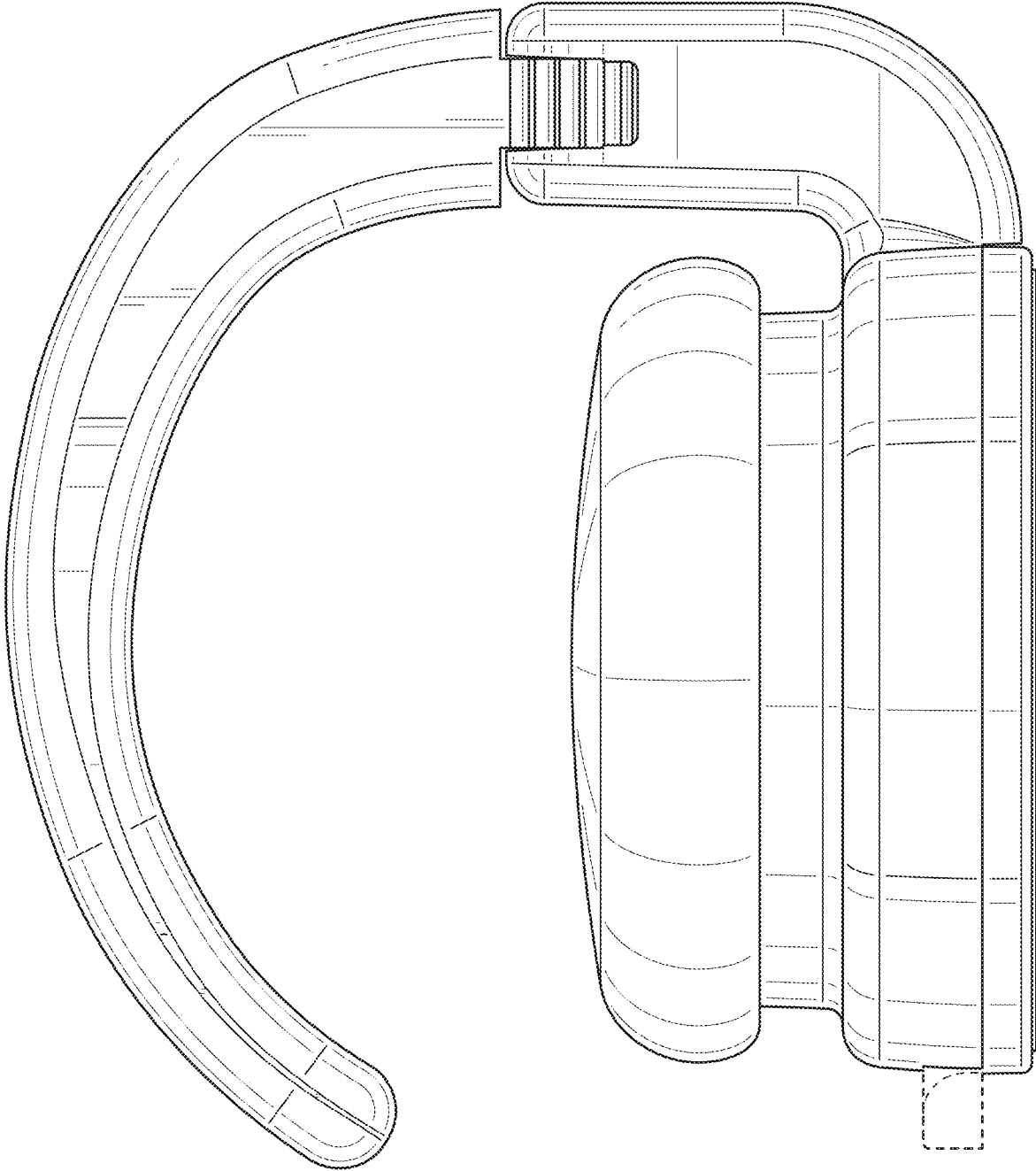


FIG. 4

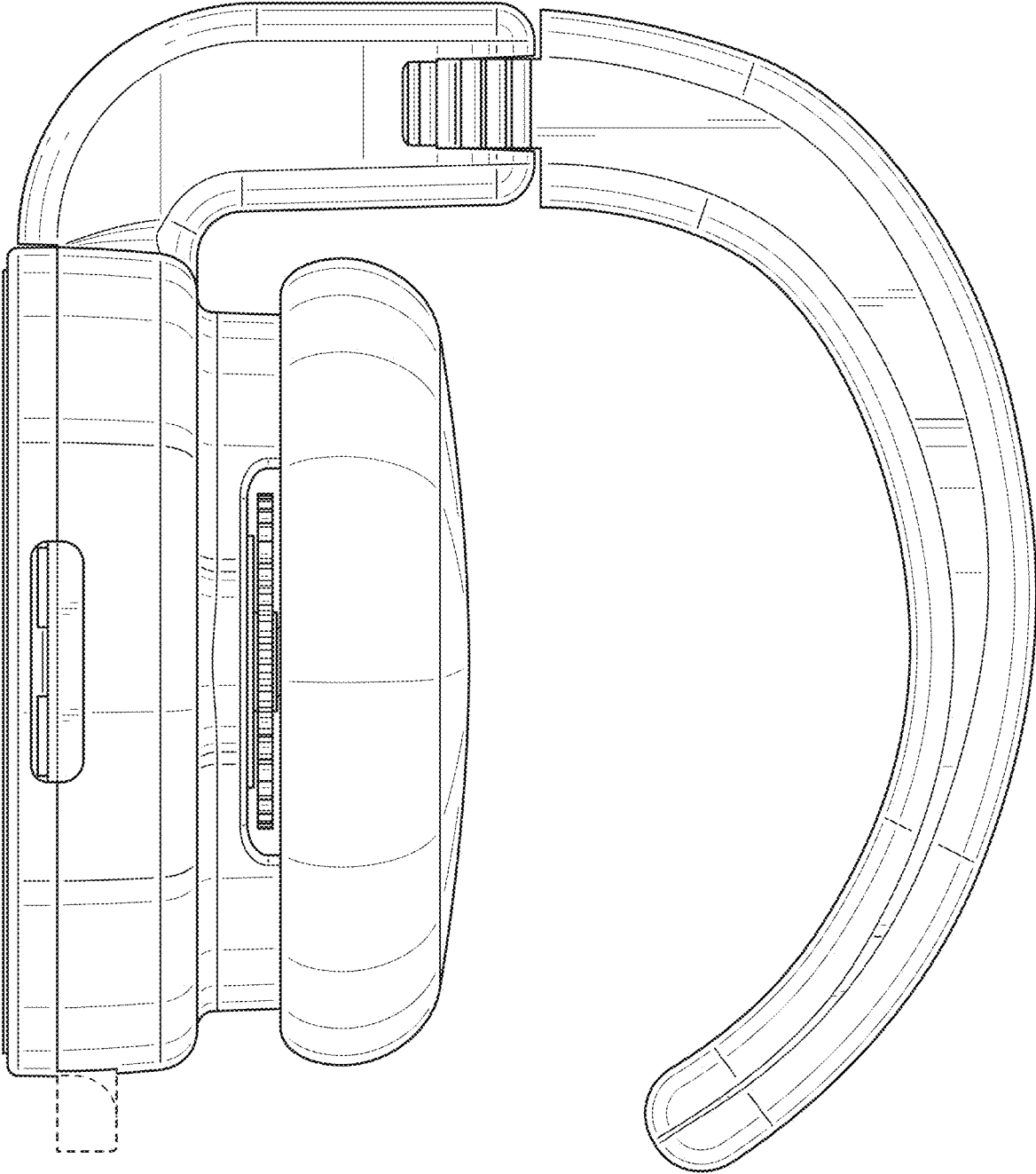


FIG. 5

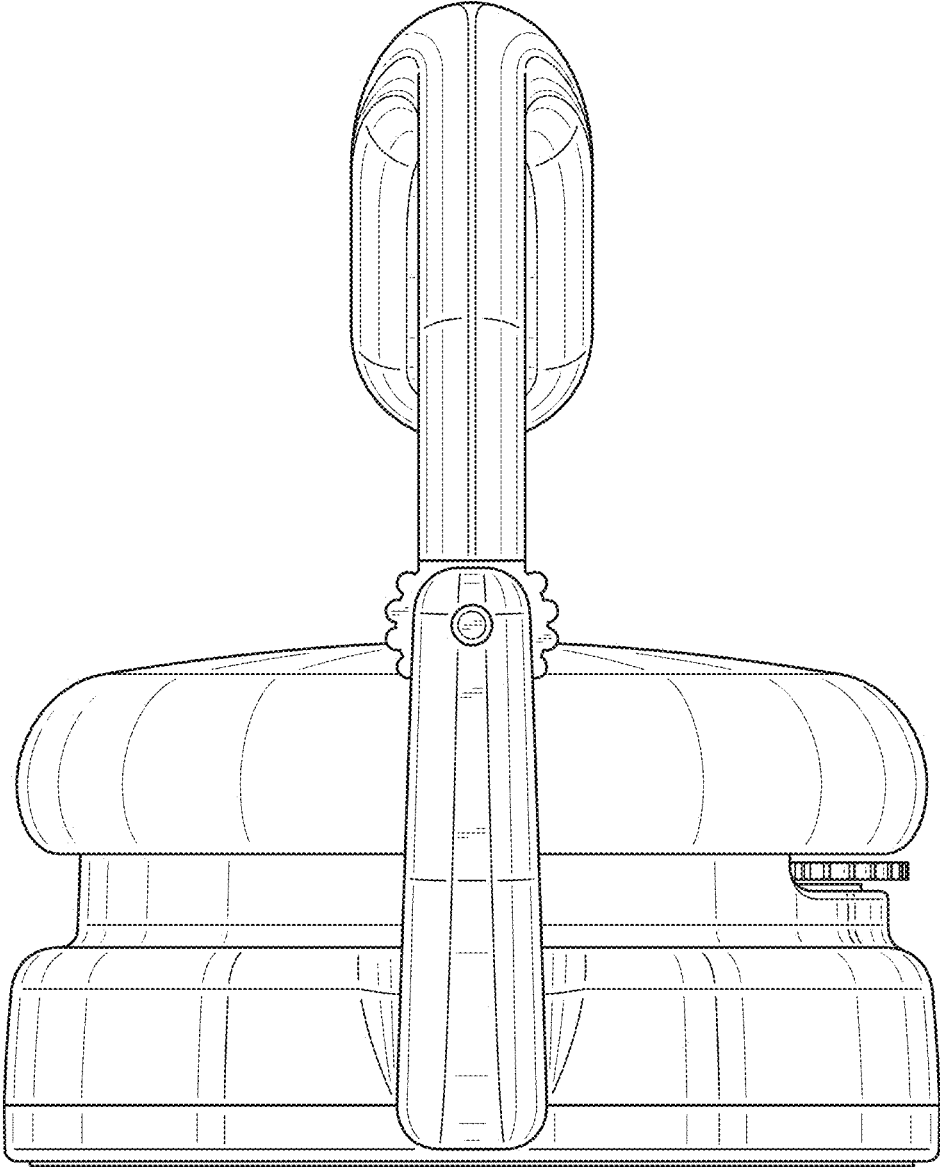


FIG. 6

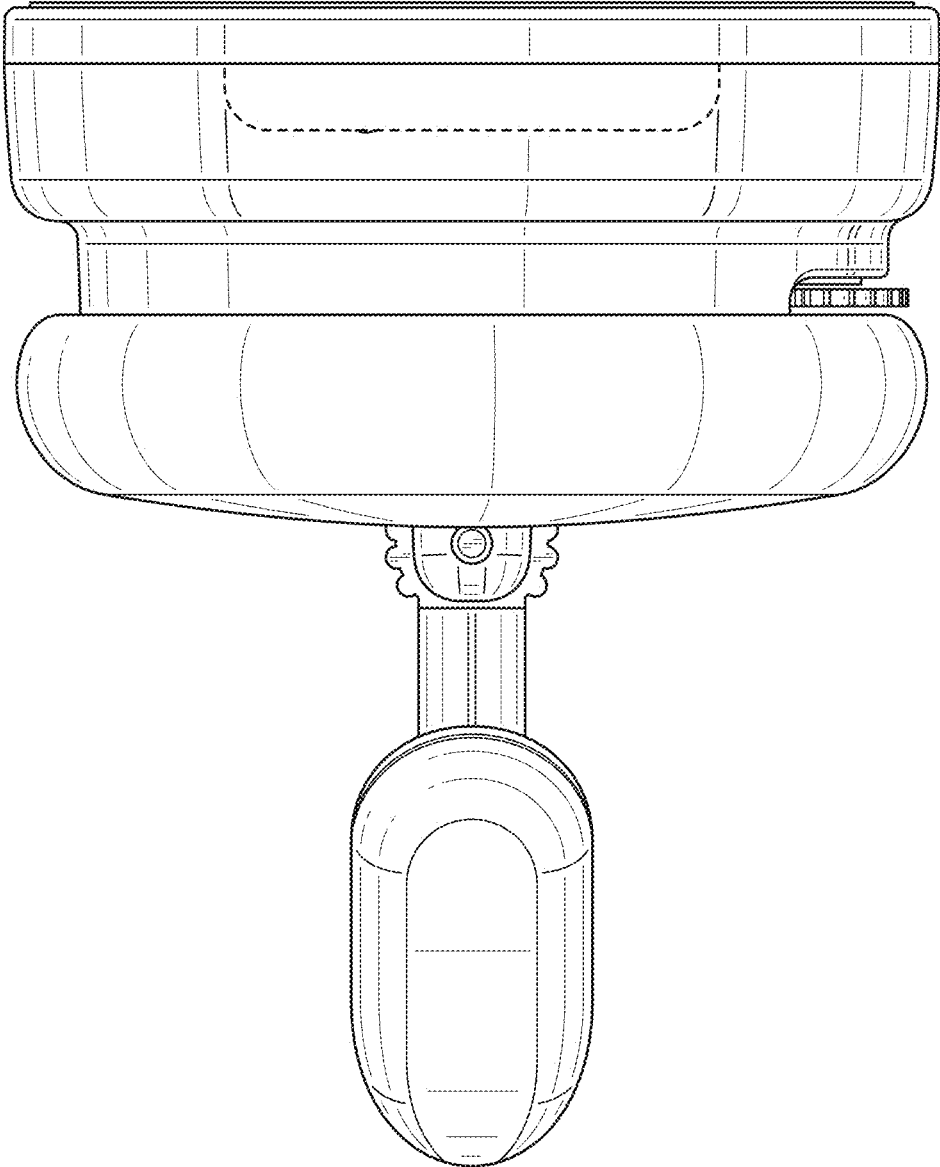


FIG. 7