



US00D728040S

(12) **United States Design Patent**
Peterson

(10) **Patent No.:** **US D728,040 S**

(45) **Date of Patent:** **** Apr. 28, 2015**

(54) **KETTLEBELL**
(71) Applicant: **Cyrus Peterson**, Charlotte, NC (US)
(72) Inventor: **Cyrus Peterson**, Charlotte, NC (US)
(**) Term: **14 Years**
(21) Appl. No.: **29/503,596**

(22) Filed: **Sep. 27, 2014**
(51) **LOC (10) Cl.** **21-02**
(52) **U.S. Cl.**
USPC **D21/680**

(58) **Field of Classification Search**
CPC A63B 21/072; A63B 21/075; A63B
21/0728; A63B 21/0726; A63B 21/00065
USPC D21/680, 682, 681, 678, 662, 679, 684;
482/108, 93, 110, 111, 105, 8, 107,
482/106, 139, 94, 104, 140, 109, 51, 70, 74,
482/98, 1; 164/112, 76.1; D9/680; D8/85;
D3/210, 211; D22/112; D11/81; 42/94,
42/72; 99/349, 350, 351, 372, 374, 377,
99/379, 427, 448, 450; 100/104, 110, 193,
100/194, 195; 219/732, 733, 734; 426/513,
426/517, 646; 135/65; 280/819
See application file for complete search history.

(56) **References Cited**

U.S. PATENT DOCUMENTS

D242,865 S * 12/1976 Stamm D21/682
D481,771 S * 11/2003 Anderson D21/682
D522,594 S * 6/2006 Donahue et al. D21/682
D522,595 S * 6/2006 Donahue et al. D21/682
7,381,157 B2 * 6/2008 Blateri 482/50
D616,718 S * 6/2010 van der Lande D8/85
D616,949 S * 6/2010 Wang D21/682
D628,248 S * 11/2010 Januszek D21/681
D628,251 S * 11/2010 Krull et al. D21/682
D653,716 S * 2/2012 Lin D21/682
D654,971 S * 2/2012 Januszek D21/682
D656,206 S * 3/2012 Lutz et al. D21/682
D660,177 S * 5/2012 Ferenc D9/680

D683,235 S * 5/2013 Albert D9/680
D683,803 S * 6/2013 Childs D21/681
D685,866 S * 7/2013 Kinsbourne D21/682
D692,509 S * 10/2013 Kessler D21/682
D715,177 S * 10/2014 Vaughan et al. D11/81
2010/0048362 A1 * 2/2010 Liford et al. 482/93
2010/0210427 A1 * 8/2010 Yu 482/93
2010/0248910 A1 * 9/2010 DiLuglio 482/93
2010/0255960 A1 * 10/2010 Kessler 482/93
2010/0331151 A1 * 12/2010 Signorile et al. 482/93
2011/0306475 A1 * 12/2011 Caswell et al. 482/93

(Continued)

Primary Examiner — Robert M Spear
Assistant Examiner — Ryan Harvey
(74) *Attorney, Agent, or Firm* — Tsz Lung Yeung

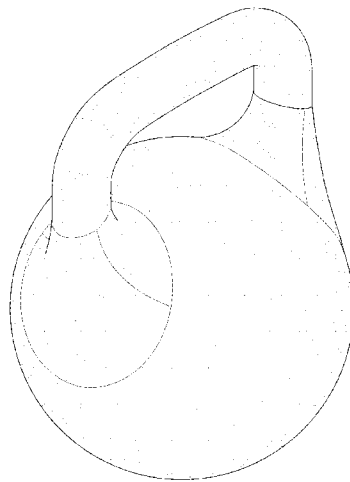
(57) **CLAIM**

The ornamental design for a kettlebell, substantially as shown and described.

DESCRIPTION

FIG. 1 is a perspective view of a first embodiment of a kettlebell in accordance with the present invention;
FIG. 2 is a front view thereof.
FIG. 3 is a rear view thereof.
FIG. 4 is a left end view thereof.
FIG. 5 is a right end view thereof.
FIG. 6 is a top view thereof.
FIG. 7 is a bottom view thereof.
FIG. 8 is a perspective view of a second embodiment of a kettlebell in accordance with the present invention;
FIG. 9 is a front view of thereof.
FIG. 10 is a rear view thereof.
FIG. 11 is a left end view thereof.
FIG. 12 is a right end view thereof.
FIG. 13 is a top view thereof; and,
FIG. 14 is a bottom view thereof.
The broken lines showing in embodiment 2 are directed to environment. The broken lines in the drawings represent unclaimed environmental subject matter and form no part of the claim.

1 Claim, 14 Drawing Sheets



US D728,040 S

Page 2

(56)

References Cited

U.S. PATENT DOCUMENTS

2012/0252641	A1 *	10/2012	Odneal et al.	482/108	2013/0012367	A1 *	1/2013	Williams	482/108
2012/0322631	A1 *	12/2012	Januszek	482/108	2013/0210589	A1 *	8/2013	Thompson et al.	482/108
					2013/0337980	A1 *	12/2013	Himmelrick et al.	482/108

* cited by examiner

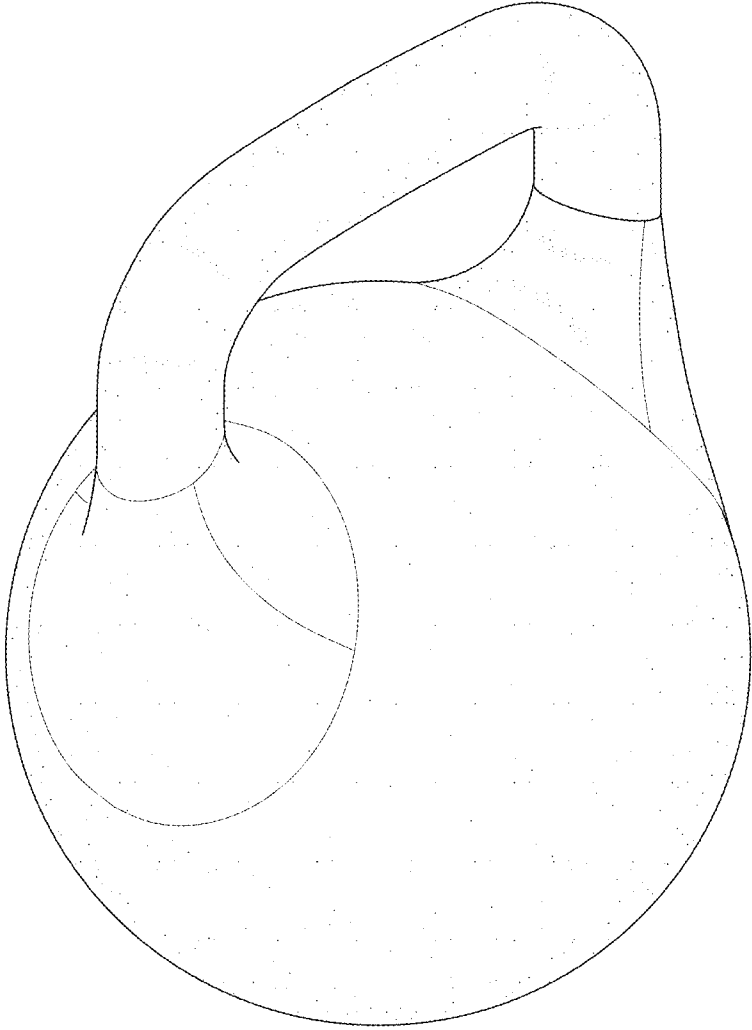


FIG.1

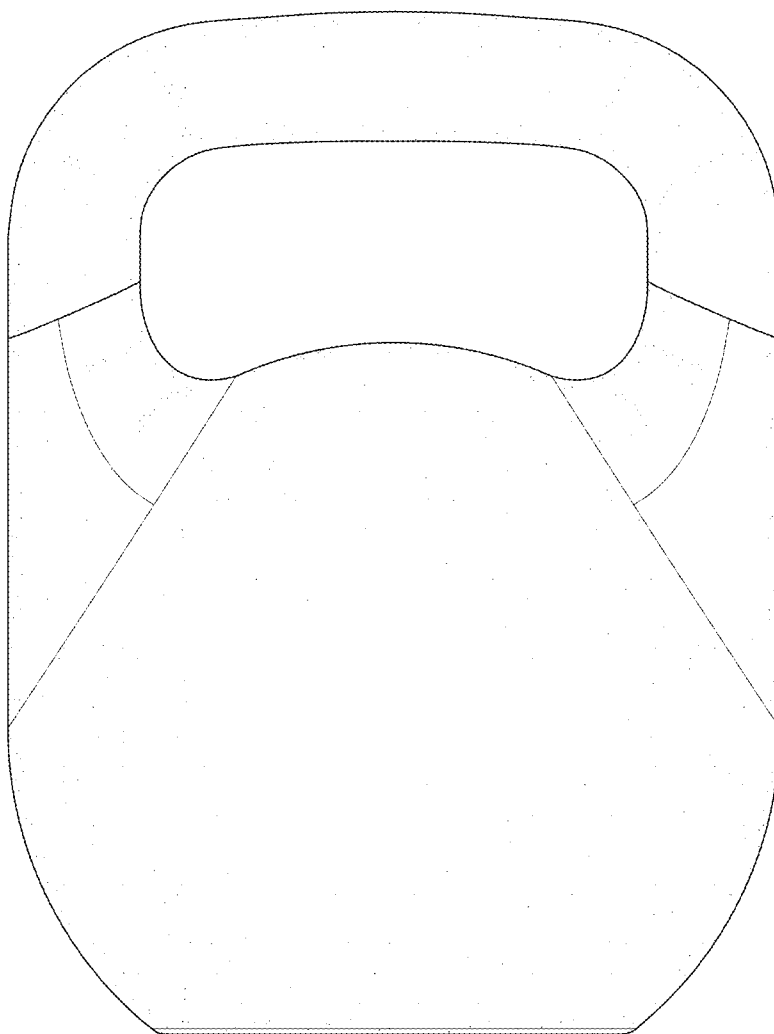


FIG.2

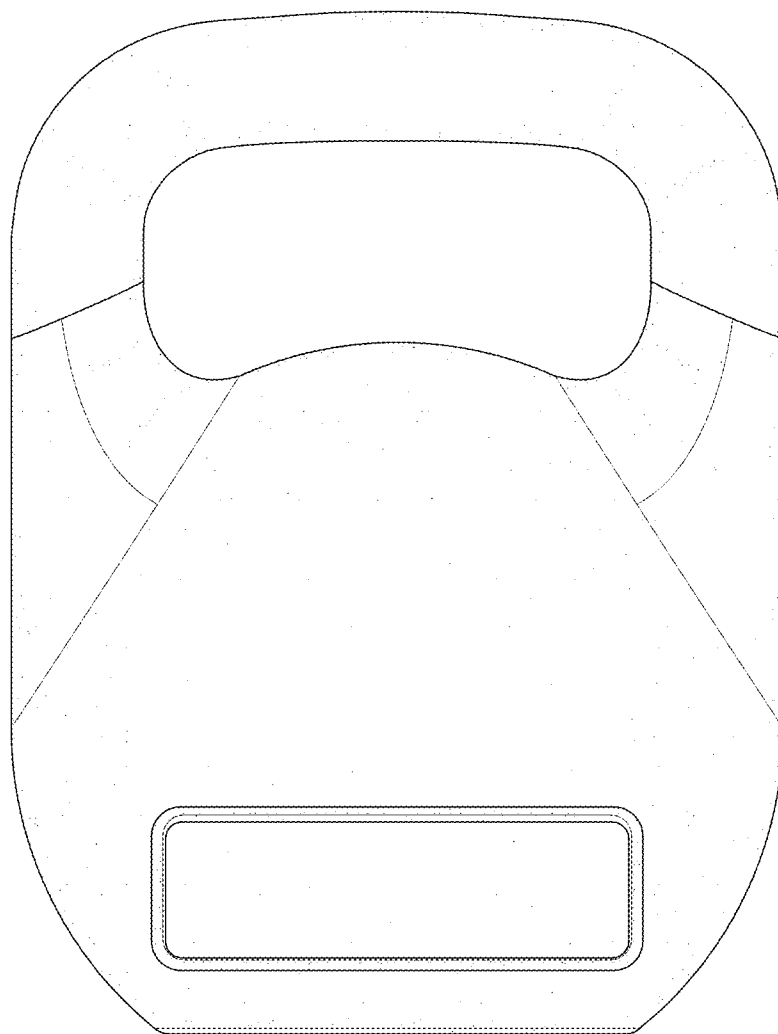


FIG.3

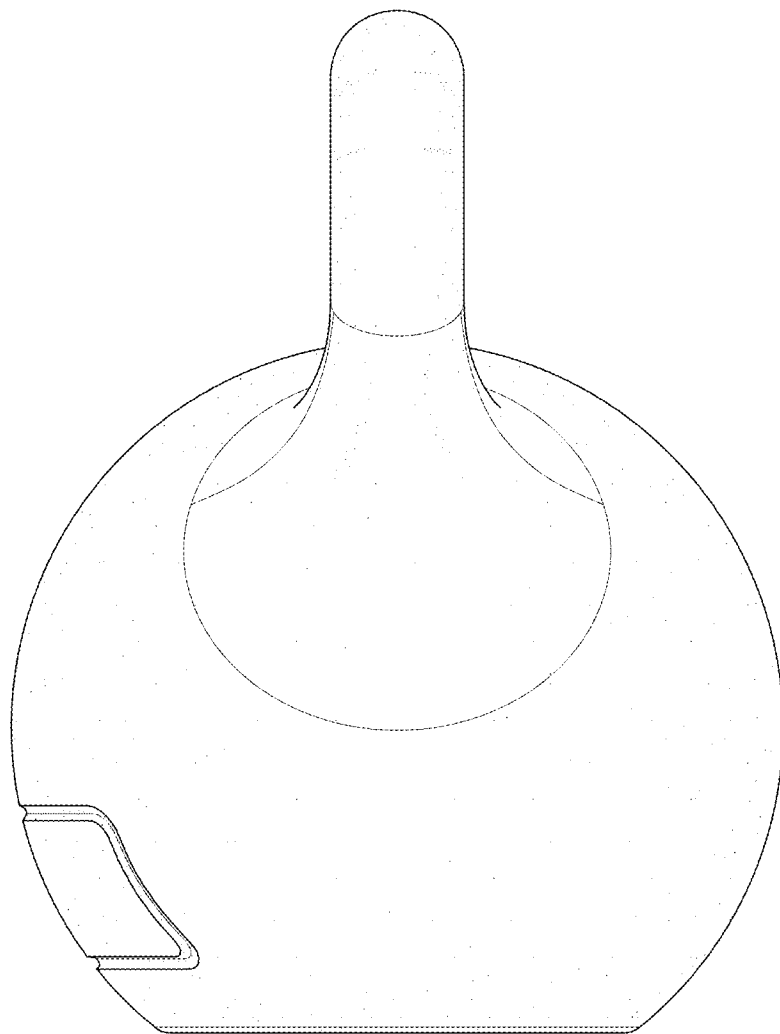


FIG.4

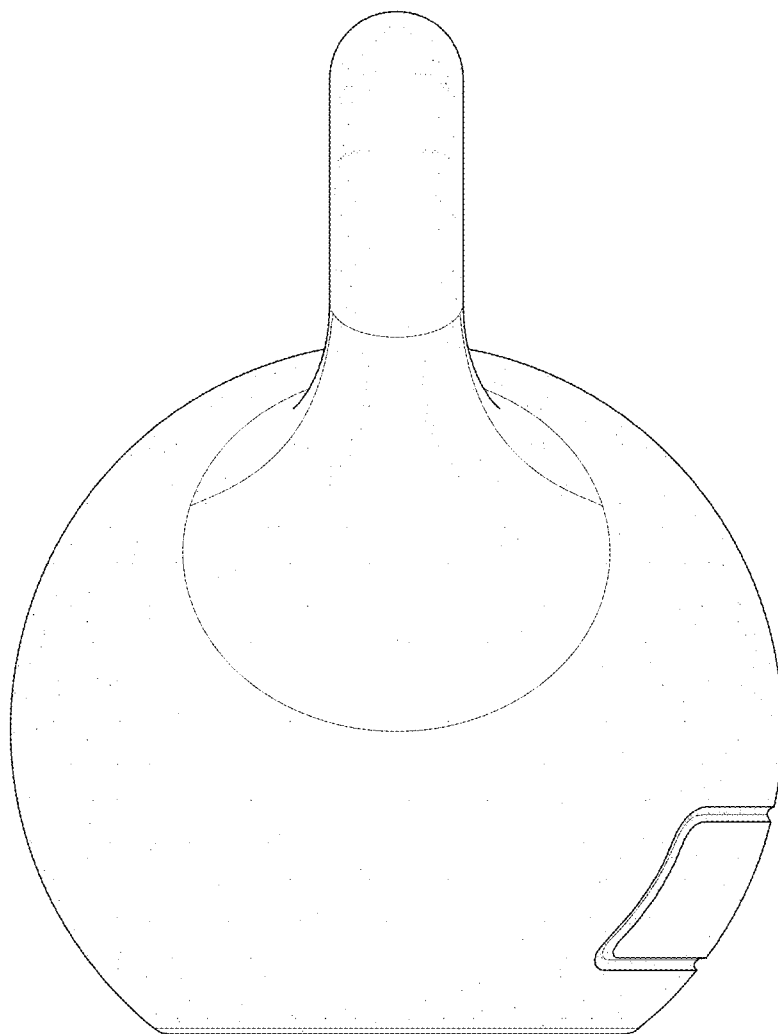


FIG.5

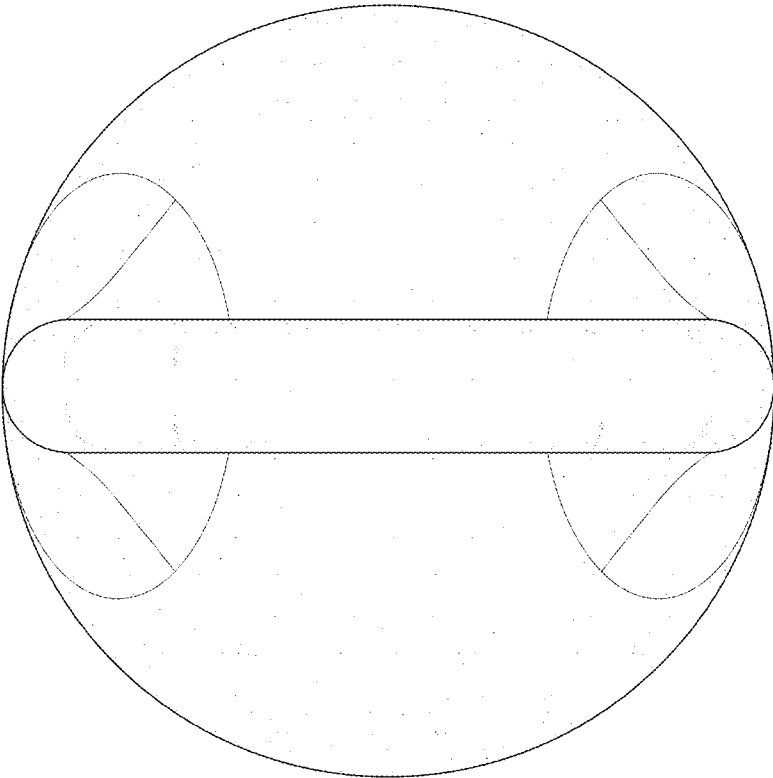


FIG.6

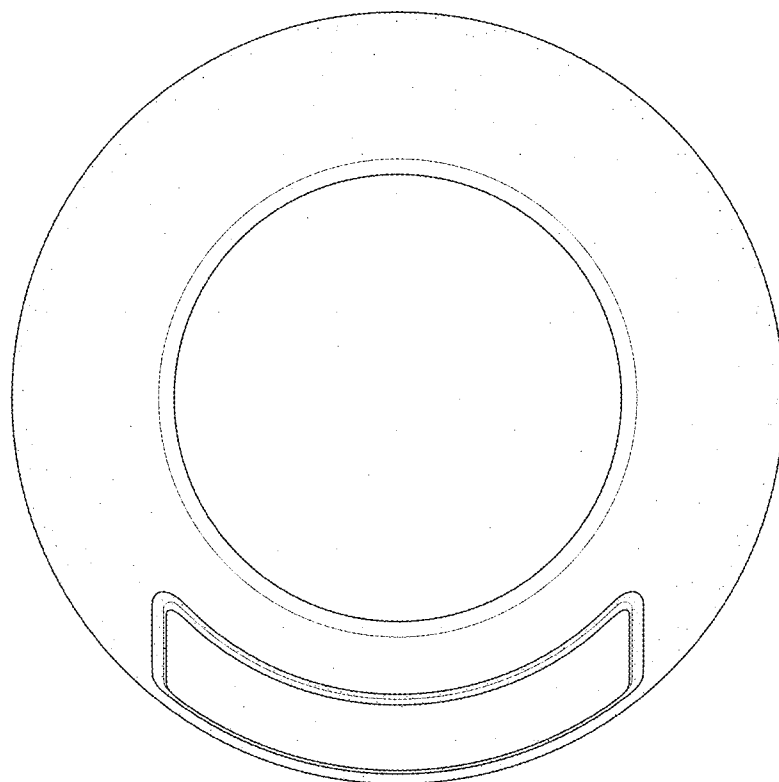


FIG.7

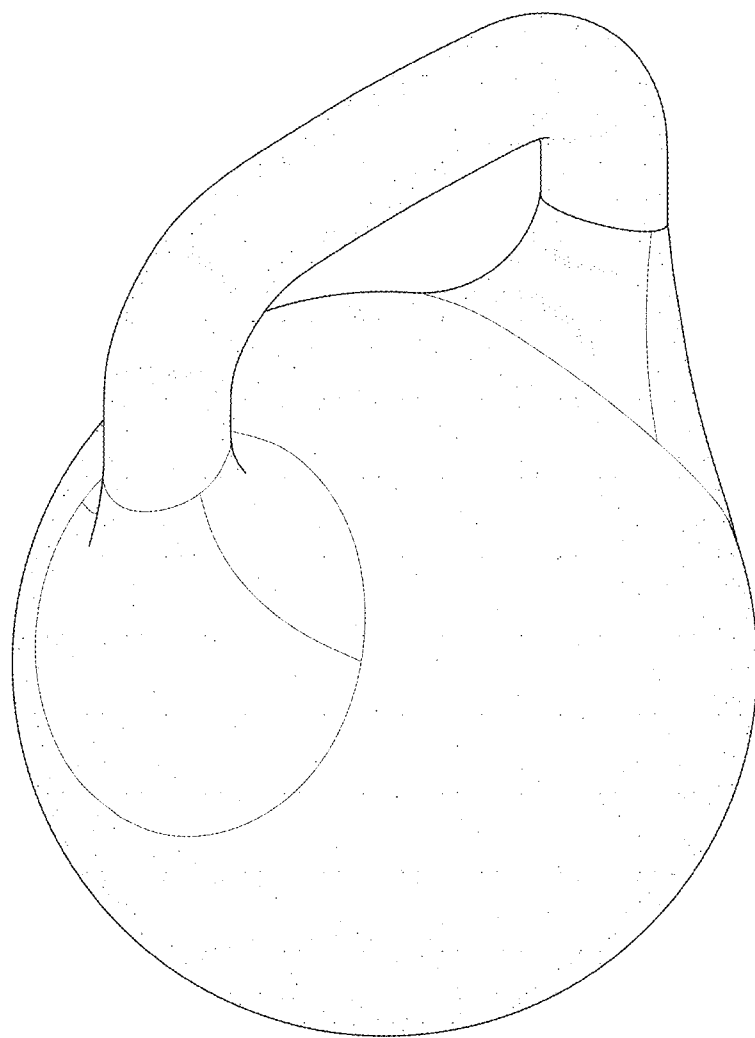


FIG. 8

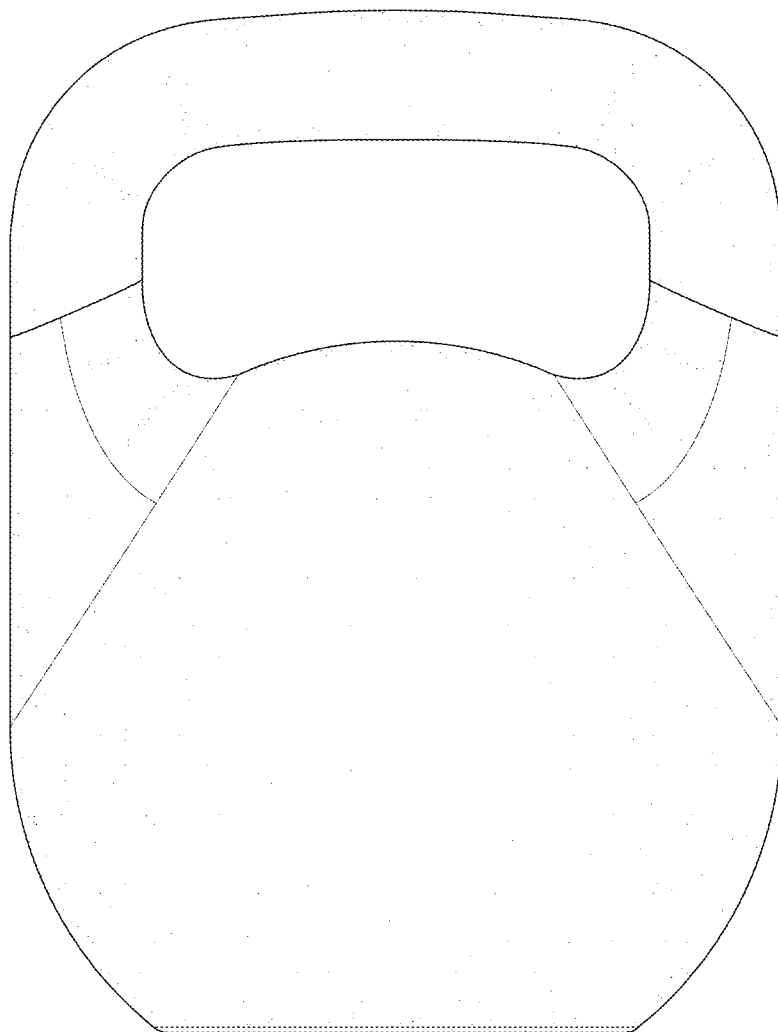


FIG.9

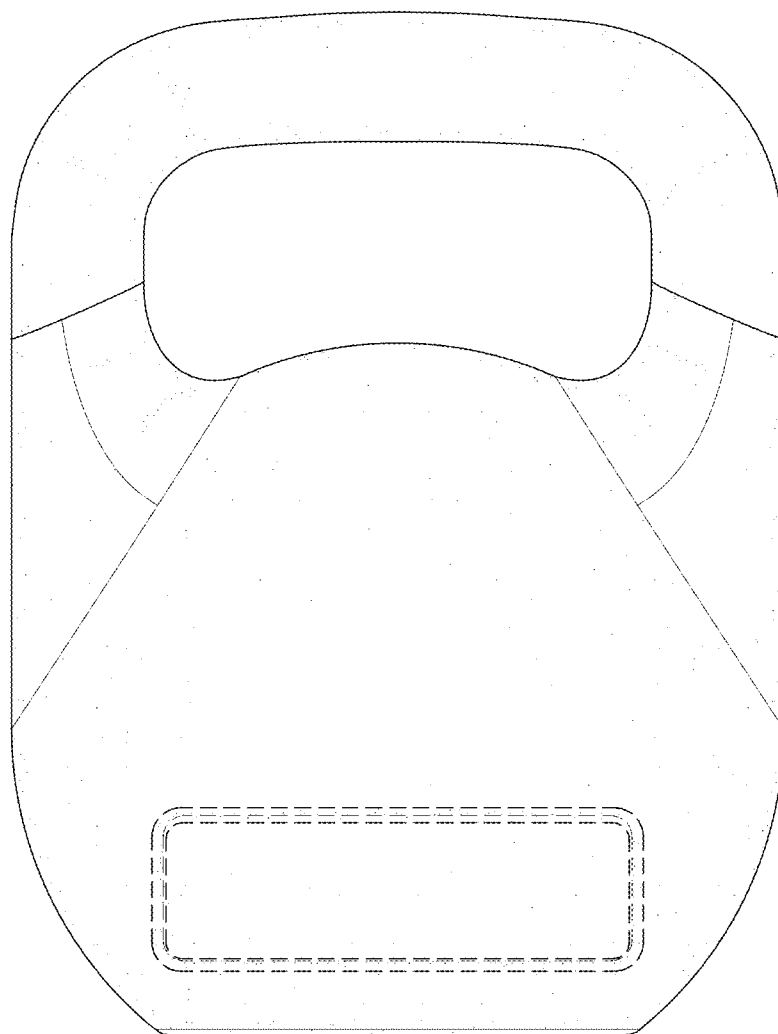


FIG.10

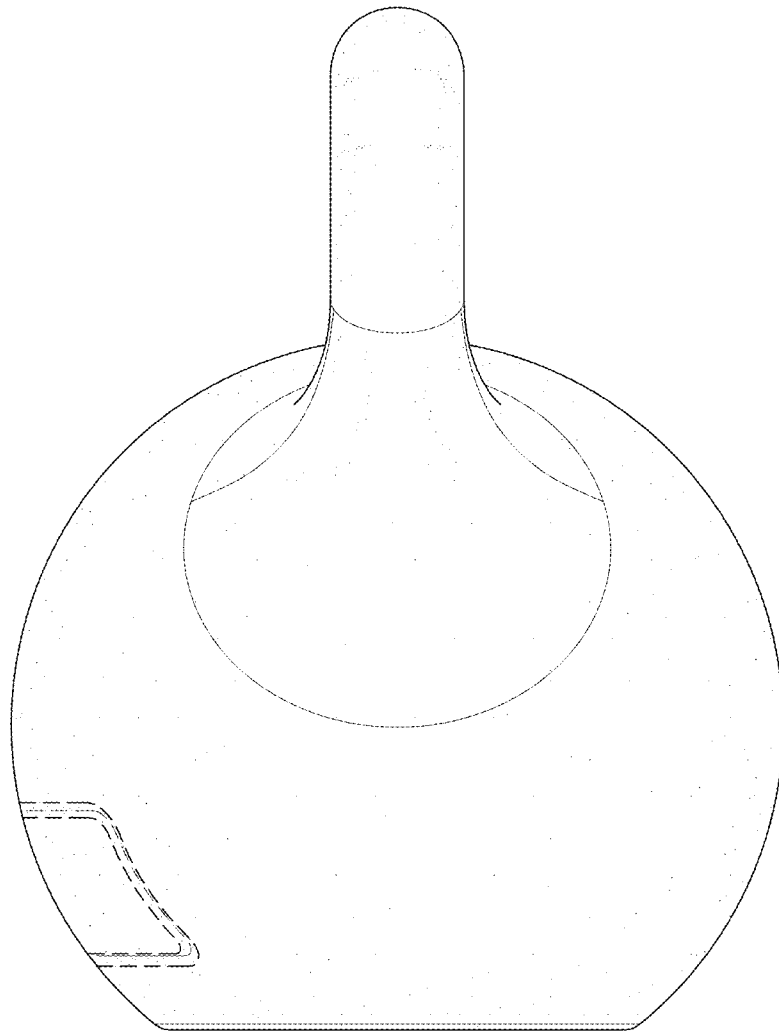


FIG.11

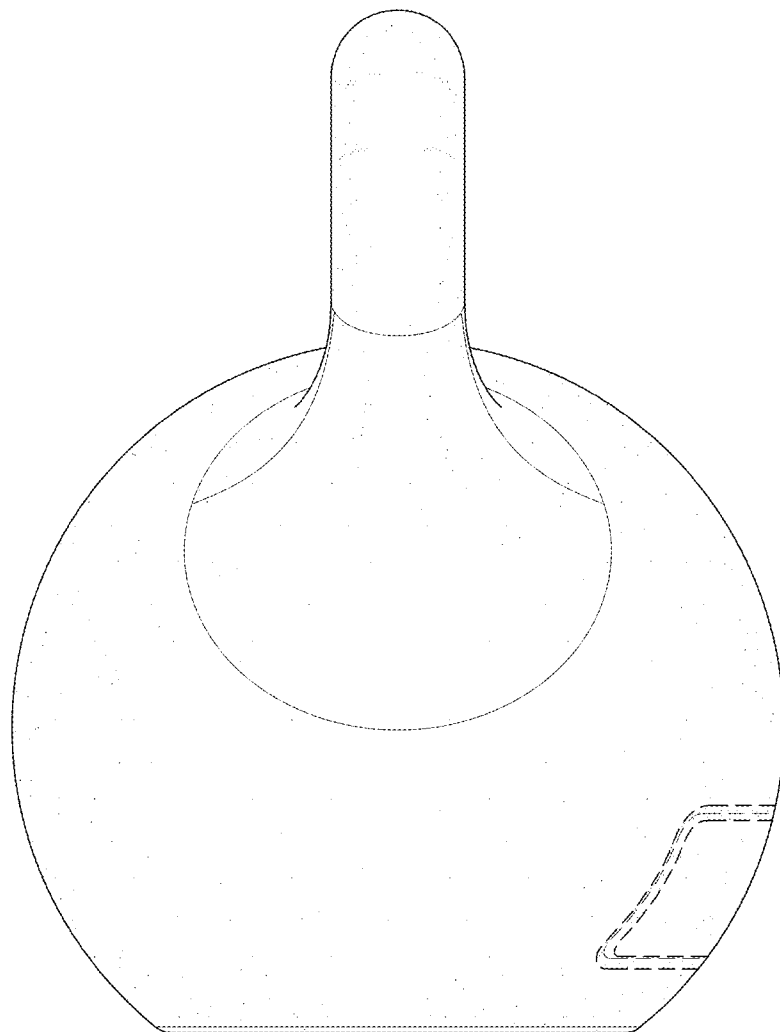


FIG.12

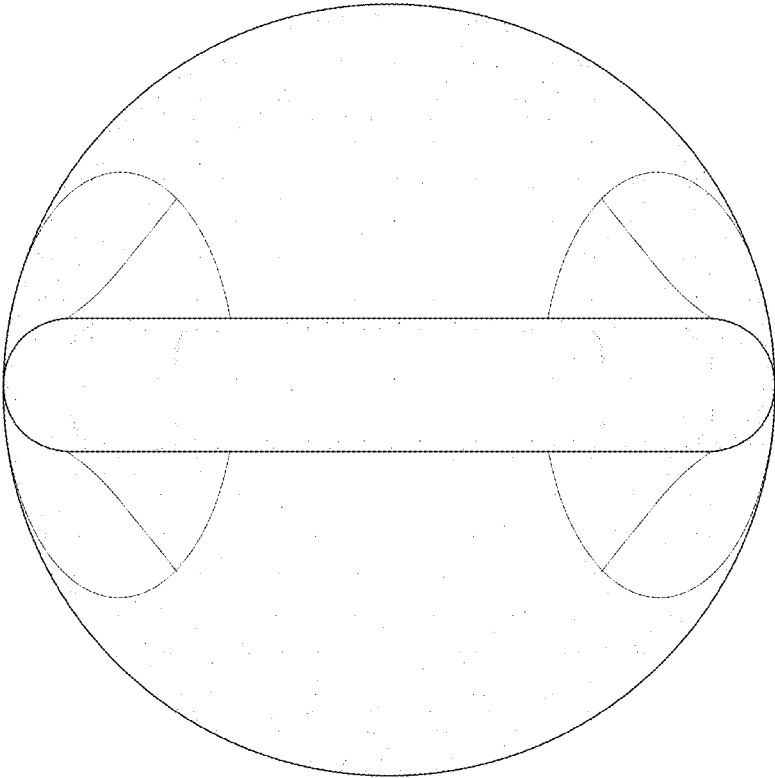


FIG.13

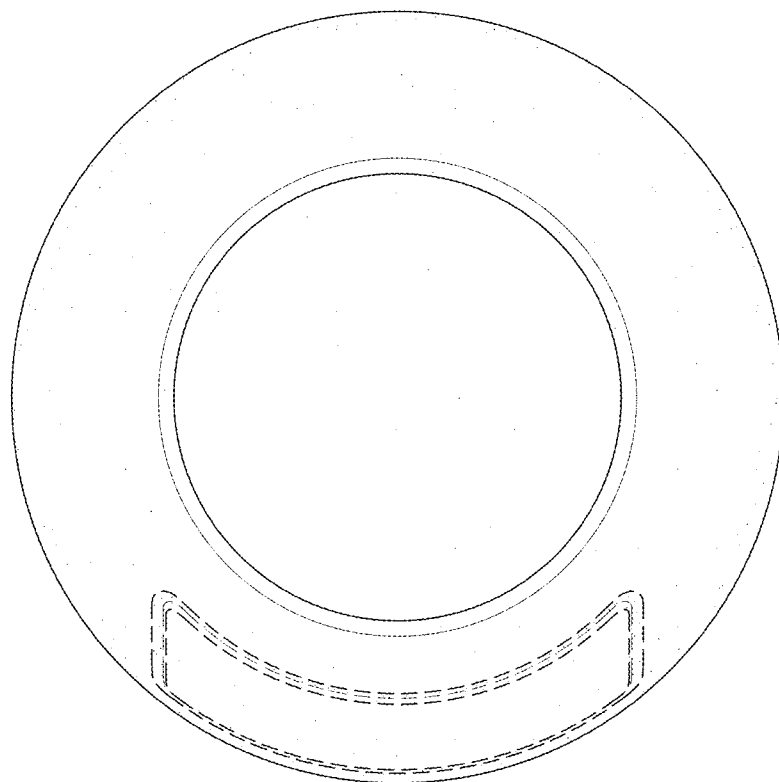


FIG.14