



(12) **United States Design Patent**
Park

(10) **Patent No.:** **US D1,024,667 S**
(45) **Date of Patent:** **** Apr. 30, 2024**

(54) **SUPPORT BRACKET FOR ICE CREAM CONTAINER**

(71) Applicant: **TURBO KOREA Corporation,**
Gwangju (KR)

(72) Inventor: **Chang Hun Park,** Gwangju (KR)

(73) Assignee: **Turbo Korea Corporation,** Gwangju (KR)

(**) Term: **15 Years**

(21) Appl. No.: **29/849,716**

(22) Filed: **Aug. 12, 2022**

(30) **Foreign Application Priority Data**

Mar. 2, 2022 (KR) 30-2022-0008345

(51) **LOC (14) Cl.** **07-06**

(52) **U.S. Cl.**
USPC **D7/387**

(58) **Field of Classification Search**
USPC D7/601, 602, 603, 619.1, 387, 392.1,
D7/396.1, 397, 412, 213; D9/414, 434,
D9/499; D6/524; D8/349, 354
CPC B65D 81/34; B65D 90/00
See application file for complete search history.

(56) **References Cited**

U.S. PATENT DOCUMENTS

D556,016 S * 11/2007 Curtas D8/354
D713,463 S * 9/2014 Dougherty D20/43

8,910,367 B2 * 12/2014 Adams, Jr. F16B 7/00
403/233
D744,319 S * 12/2015 White D8/354
D822,458 S * 7/2018 Campbell D8/354
D842,684 S * 3/2019 House D8/354
D874,357 S * 2/2020 Brennan D12/162
D904,861 S * 12/2020 McWilliams D8/354
D911,737 S * 3/2021 Chang D6/524
D911,738 S * 3/2021 Chang D6/524
D912,433 S * 3/2021 Chang D6/524
D973,015 S * 12/2022 Uppu D13/149
D988,859 S * 6/2023 Milner D8/394

* cited by examiner

Primary Examiner — Andrew Kerr

(74) *Attorney, Agent, or Firm* — Blank Rome LLP

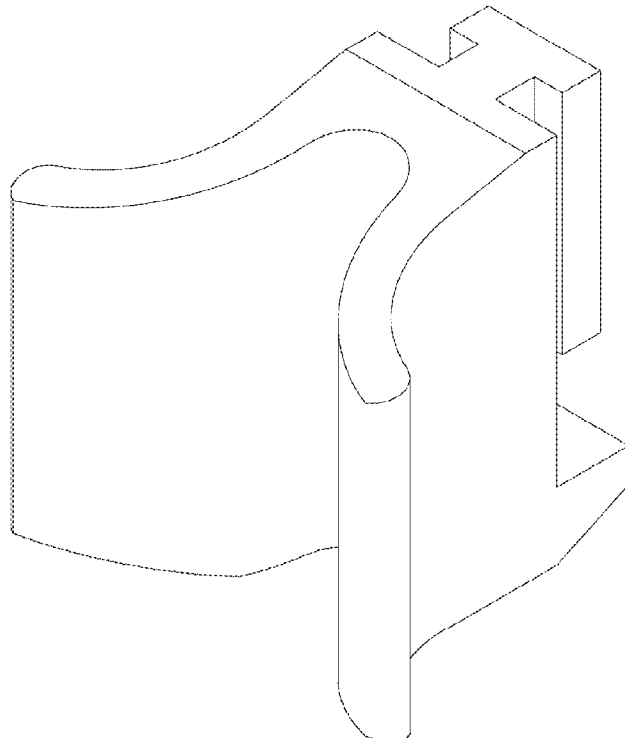
(57) **CLAIM**

The ornamental design for a support bracket for ice cream container, as shown and described.

DESCRIPTION

FIG. 1 is a perspective view of support bracket for ice cream container of my design;
FIG. 2 is a front view thereof
FIG. 3 is a rear view thereof;
FIG. 4 is a left-side top view thereof;
FIG. 5 is a right-side view thereof;
FIG. 6 is a top view thereof; and,
FIG. 7 is a bottom view thereof.

1 Claim, 7 Drawing Sheets



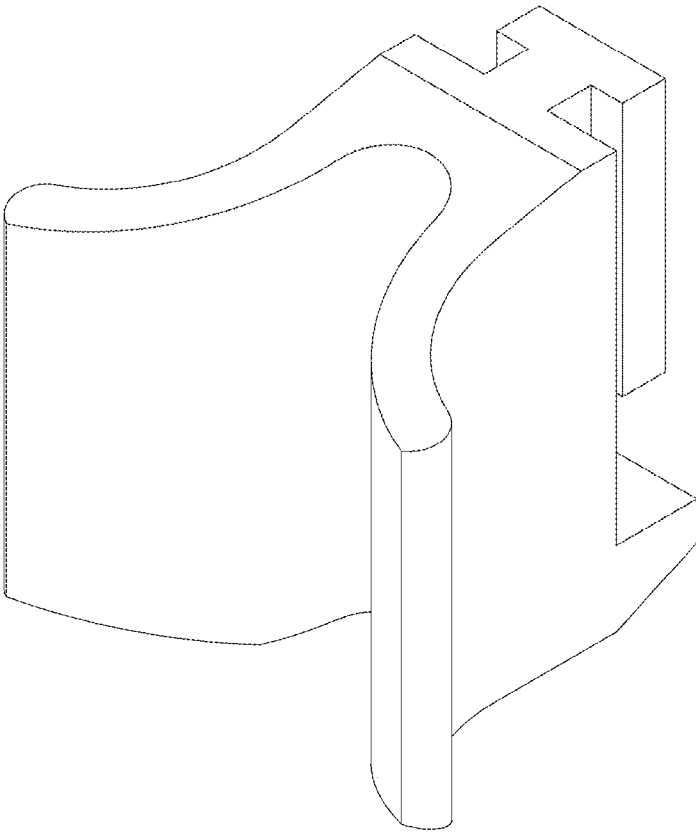


FIG.1

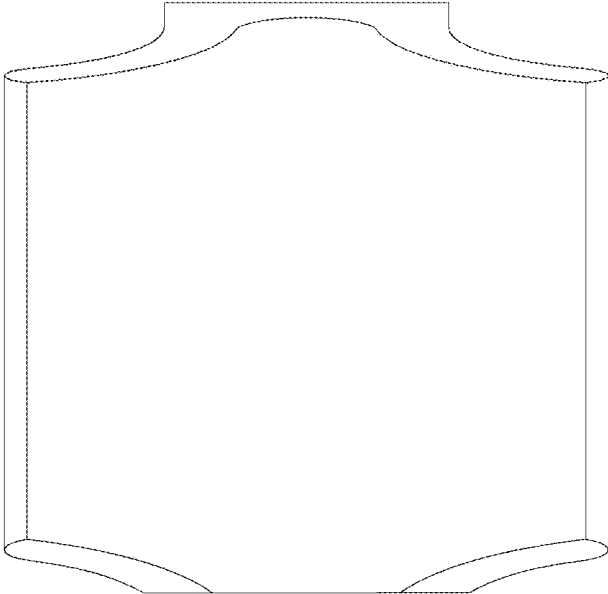


FIG.2

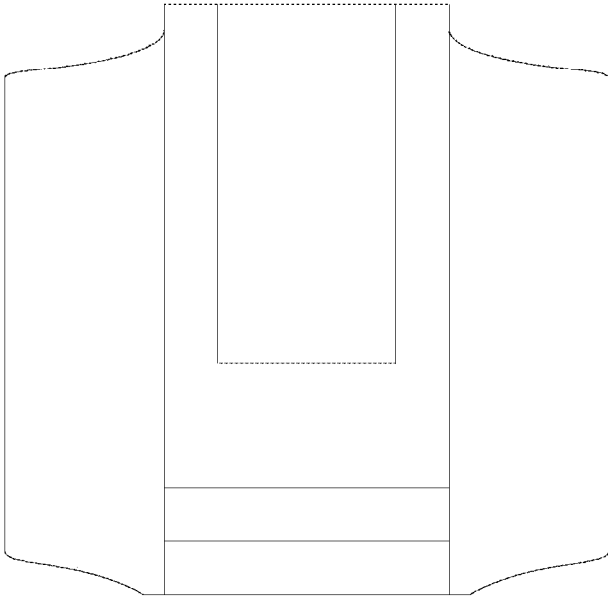


FIG.3

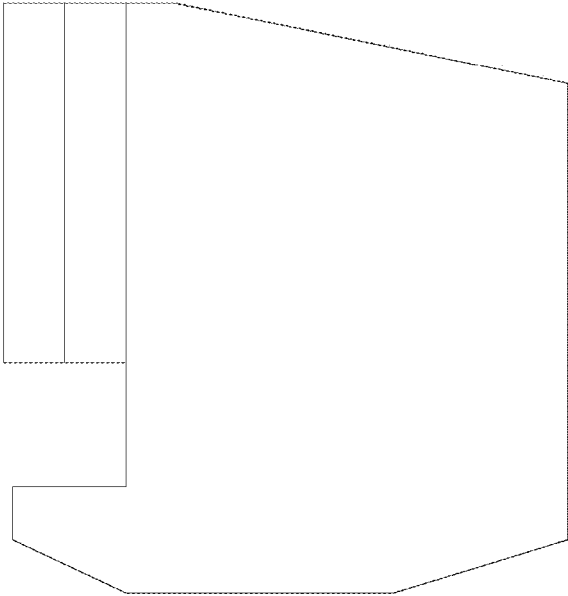


FIG.4

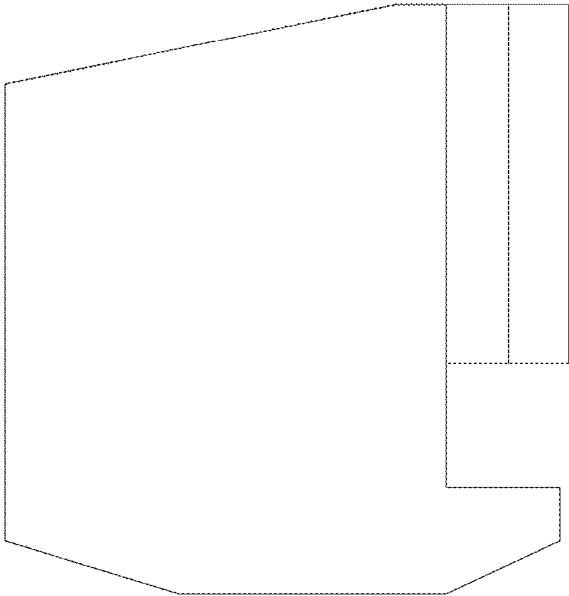


FIG.5

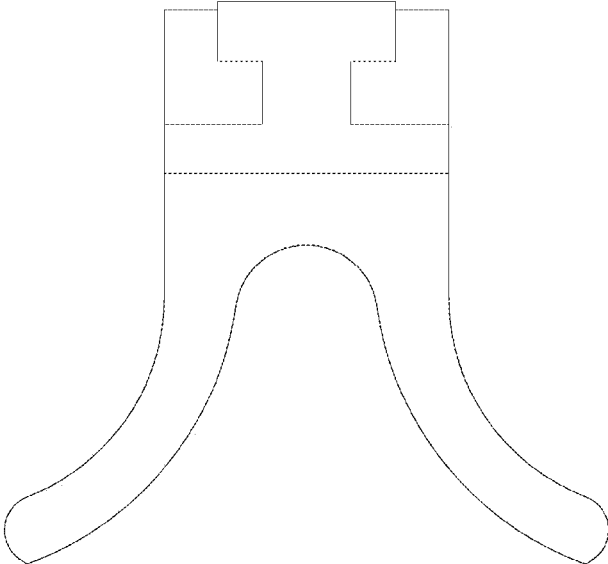


FIG.6

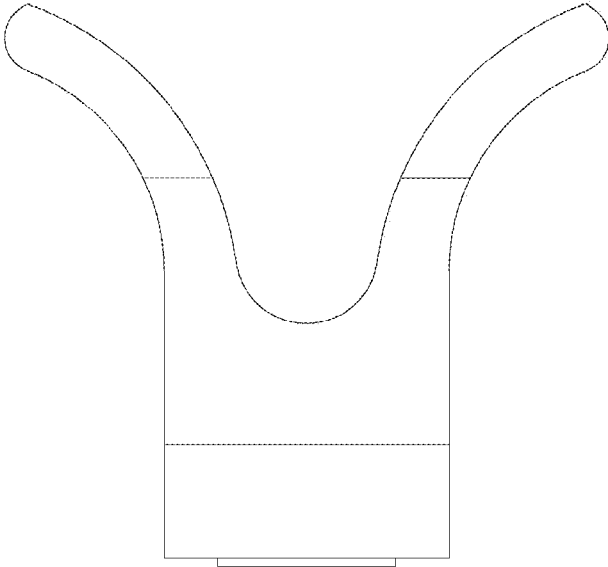


FIG.7