



US00D658713S

(12) **United States Design Patent**
Miller et al.

(10) **Patent No.:** **US D658,713 S**

(45) **Date of Patent:** **** May 1, 2012**

(54) **INDUSTRIAL PRINTER CARTRIDGE**

(75) Inventors: **Cris R. Miller**, Champlin, MN (US);
Yanhua Li, Andover, MN (US)

(73) Assignee: **Engage Technologies Corp.**, Brooklyn
Park, MN (US)

(**) Term: **14 Years**

(21) Appl. No.: **29/381,899**

(22) Filed: **Dec. 24, 2010**

(51) **LOC (9) Cl.** **18-02**

(52) **U.S. Cl.** **D18/56**

(58) **Field of Classification Search** D18/56;
347/86-87

See application file for complete search history.

(56) **References Cited**

U.S. PATENT DOCUMENTS

| | | | | | |
|-----------|------|---------|------------------|-------|--------|
| 4,959,667 | A * | 9/1990 | Kaplinsky | | 347/87 |
| 5,051,759 | A | 9/1991 | Karita et al. | | |
| D361,591 | S * | 8/1995 | Tokuda et al. | | D18/56 |
| D387,379 | S * | 12/1997 | Sasaki | | D18/56 |
| D425,110 | S * | 5/2000 | Dietl et al. | | D18/56 |
| 6,345,890 | B2 * | 2/2002 | Tsukuni | | 347/86 |
| 6,416,152 | B1 | 7/2002 | Matsuzaki et al. | | |
| 6,729,711 | B1 * | 5/2004 | Hashimoto et al. | | 347/86 |
| D539,341 | S * | 3/2007 | Hattori et al. | | D18/56 |
| D540,856 | S * | 4/2007 | Hattori | | D18/56 |
| D541,336 | S * | 4/2007 | Hattori | | D18/56 |

| | | | | | |
|--------------|-----|---------|-----------------|-------|--------|
| D590,014 | S * | 4/2009 | Nip | | D18/56 |
| D617,376 | S * | 6/2010 | Lecheheb et al. | | D18/56 |
| D636,019 | S * | 4/2011 | Urabe et al. | | D18/56 |
| 2010/0245502 | A1 | 9/2010 | Kanbe | | |
| 2010/0253754 | A1 | 10/2010 | Sulser et al. | | |

FOREIGN PATENT DOCUMENTS

WO 2010/094199 A1 8/2010

* cited by examiner

Primary Examiner — Cathy A MacCormac

(74) *Attorney, Agent, or Firm* — Dicke, Billig & Czaja,
PLLC

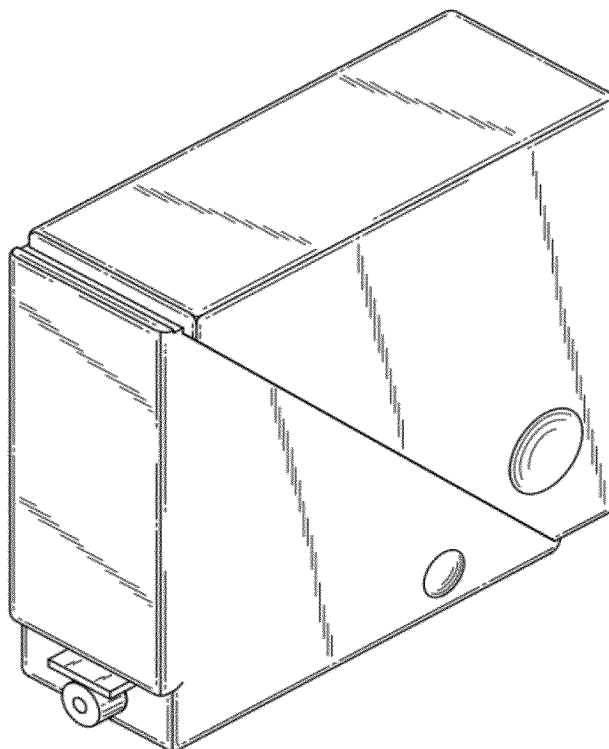
(57) **CLAIM**

The ornamental design for an industrial printer cartridge, as shown and described herein.

DESCRIPTION

FIG. 1 is a front perspective view of an industrial printer cartridge;
FIG. 2 is a right side view thereof;
FIG. 3 is a left side view thereof;
FIG. 4 is a front view thereof;
FIG. 5 is a rear view thereof;
FIG. 6 is a top plan view thereof; and,
FIG. 7 is a bottom plan view thereof.

1 Claim, 5 Drawing Sheets



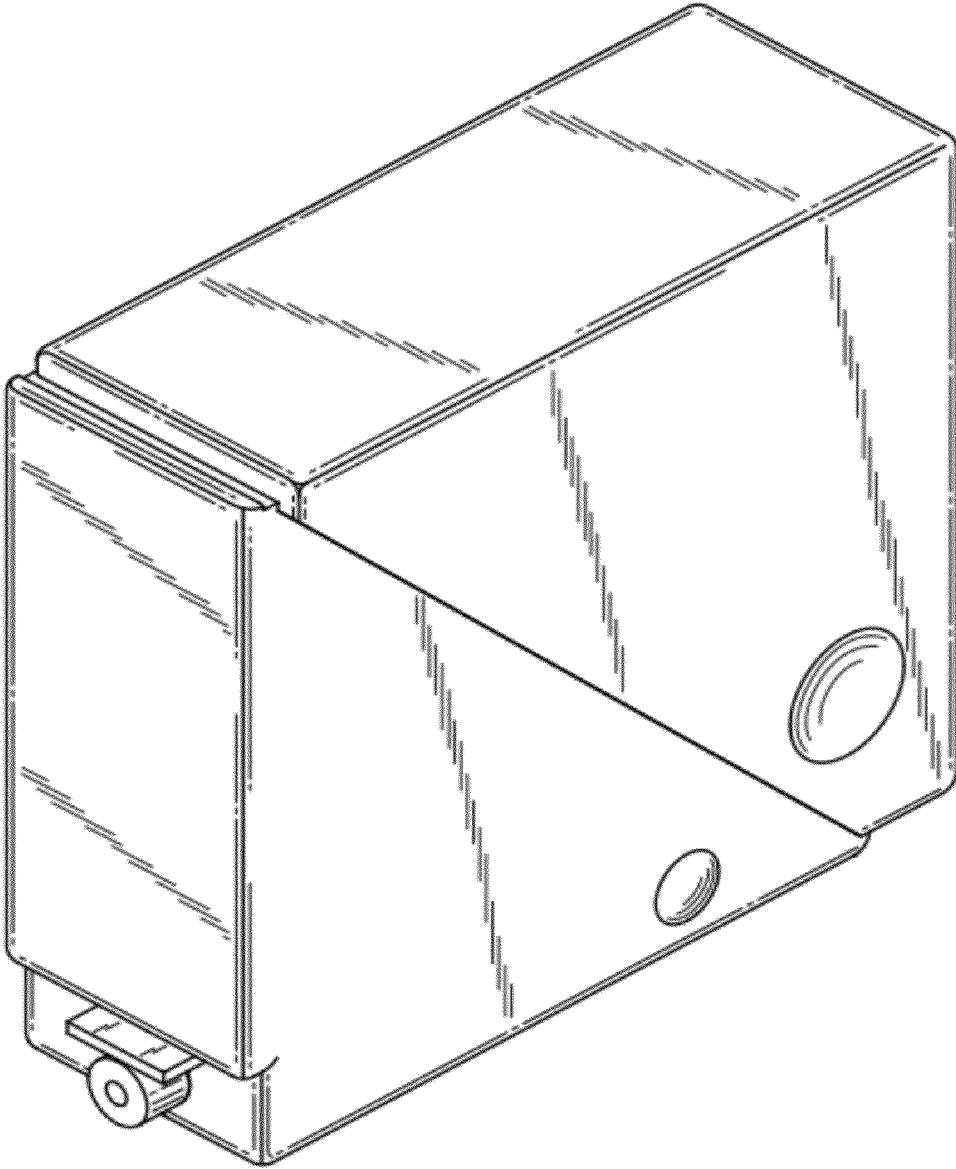


Fig. 1

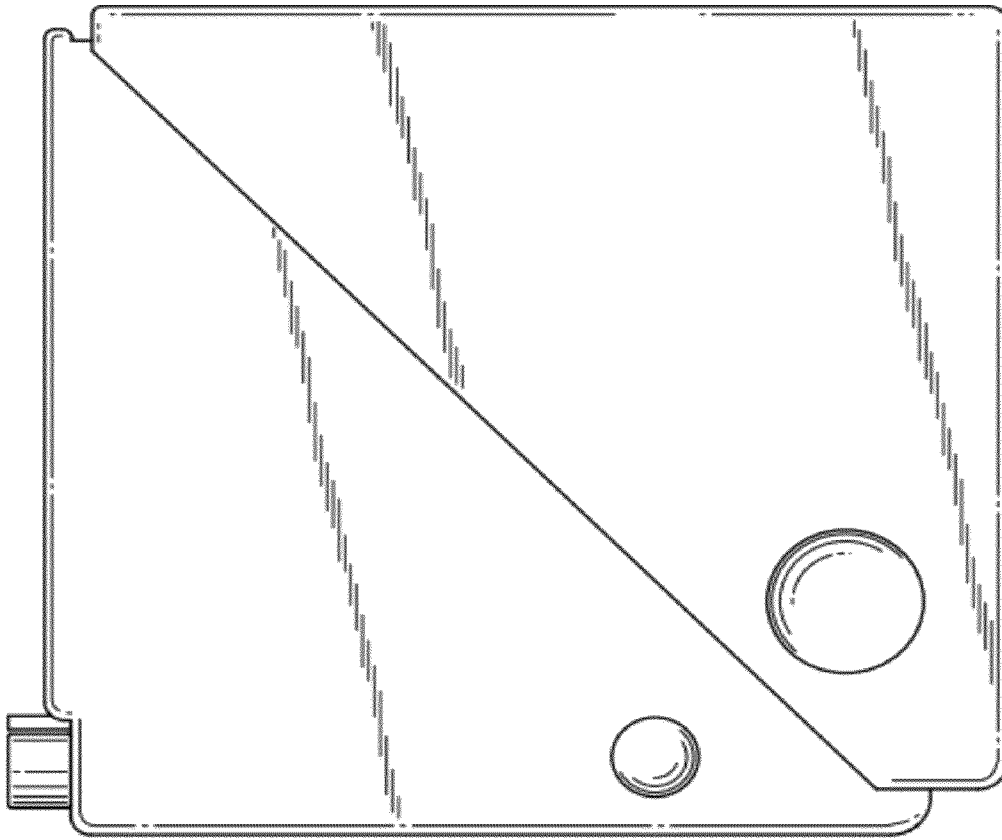


Fig. 2

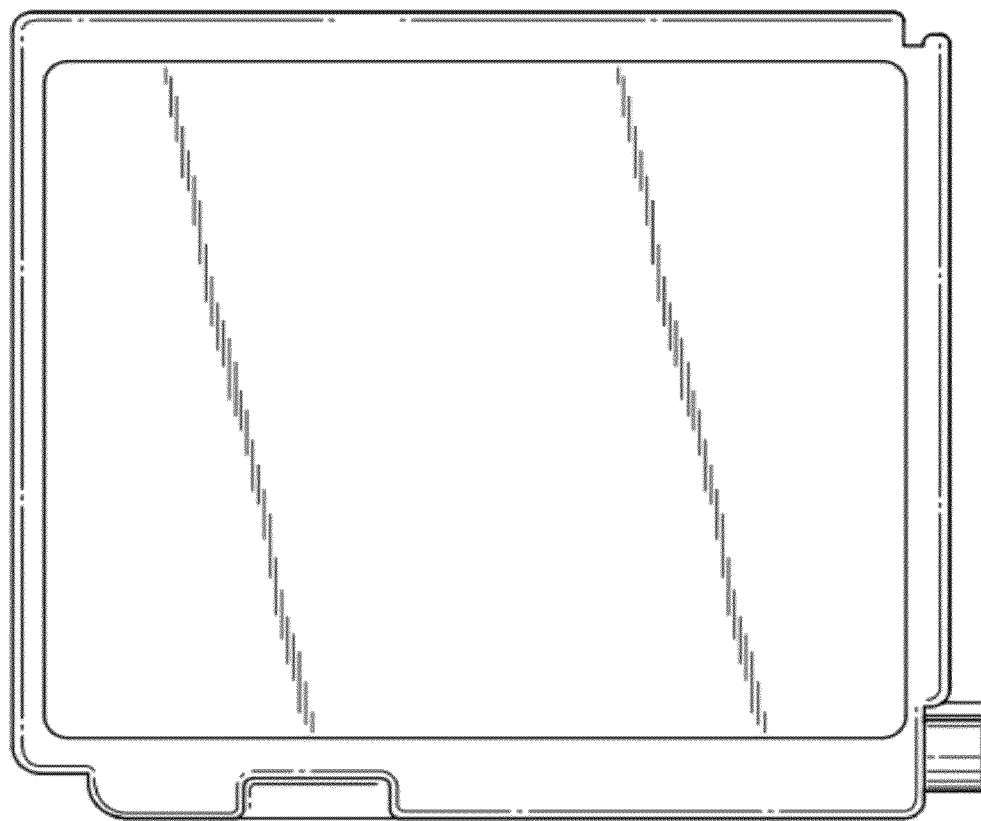


Fig. 3

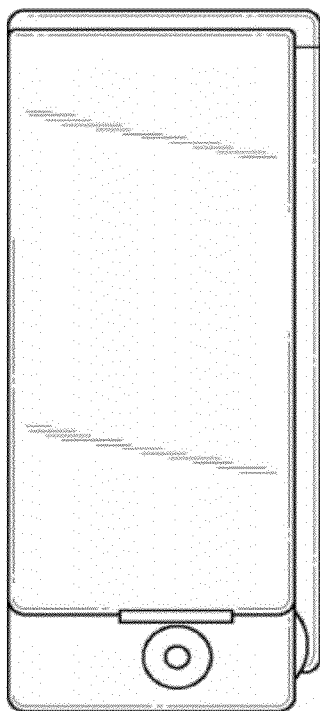


Fig. 4

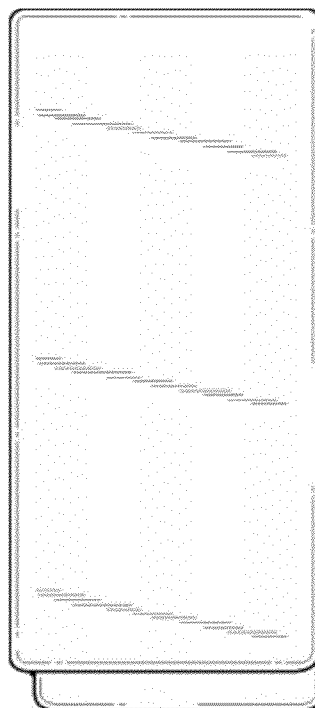


Fig. 5

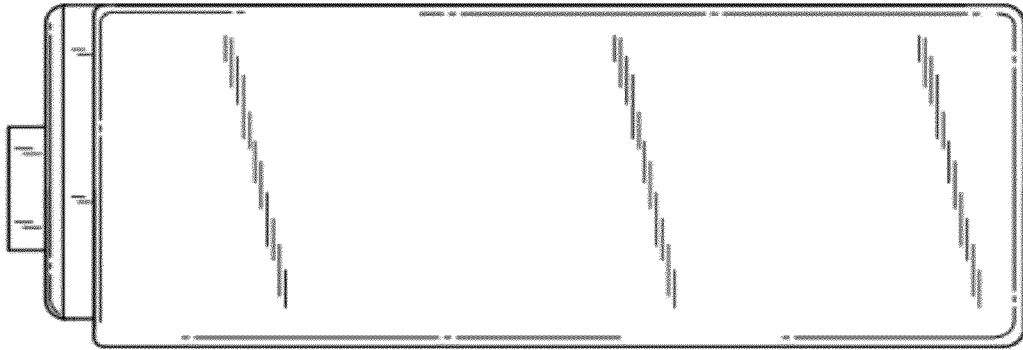


Fig. 6

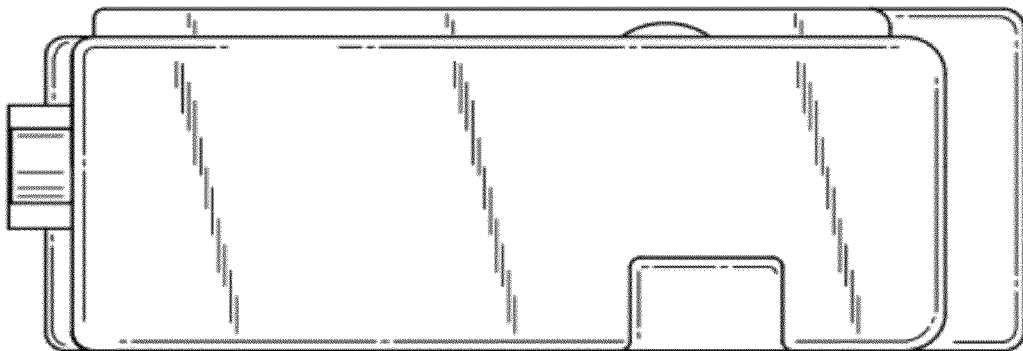


Fig. 7