

(19) World Intellectual Property Organization
International Bureau



(43) International Publication Date
18 June 2009 (18.06.2009)

PCT

(10) International Publication Number
WO 2009/075953 A3

(51) International Patent Classification:

G06F 1/26 (2006.01) G06G 7/62 (2006.01)
G06F 1/16 (2006.01)

(21) International Application Number:

PCT/US2008/081046

(22) International Filing Date: 24 October 2008 (24.10.2008)

(25) Filing Language: English

(26) Publication Language: English

(30) Priority Data:

11/951,311 5 December 2007 (05.12.2007) US

(71) Applicant (for all designated States except US):

HEWLETT-PACKARD DEVELOPMENT COMPANY, L.P. [US/US]; 11445 Compaq Center Drive West, Houston, TX 77070 (US).

(72) Inventors; and

(75) Inventors/Applicants (for US only): NGUYEN, Hai N. [US/US]; 20555 Tomball Parkway, Houston, TX 77070 (US). BEMAT, Mohamed Amin [IN/US]; 20555 Tomball Parkway, Houston, Texas 77070 (US).

(74) Agent: JONES, Kevin; Hewlett-Packard Company, Intellectual Property Administration, P.O. Box 272400, Mail-stop 35, Fort Collins, Colorado 80527-2400 (US).

(81) Designated States (unless otherwise indicated, for every kind of national protection available):

AE, AG, AL, AM, AO, AT, AU, AZ, BA, BB, BG, BH, BR, BW, BY, BZ, CA, CH, CN, CO, CR, CU, CZ, DE, DK, DM, DO, DZ, EC, EE, EG, ES, FI, GB, GD, GE, GH, GM, GT, HN, HR, HU, ID, IL, IN, IS, JP, KE, KG, KM, KN, KP, KR, KZ, LA, LC, LK, LR, LS, LT, LU, LY, MA, MD, ME, MG, MK, MN, MW, MX, MY, MZ, NA, NG, NI, NO, NZ, OM, PG, PH, PL, PT, RO, RS, RU, SC, SD, SE, SG, SK, SL, SM, ST, SV, SY, TJ, TM, TN, TR, TT, TZ, UA, UG, US, UZ, VC, VN, ZA, ZM, ZW.

(84) Designated States (unless otherwise indicated, for every kind of regional protection available):

ARIPO (BW, GH, GM, KE, LS, MW, MZ, NA, SD, SL, SZ, TZ, UG, ZM, ZW), Eurasian (AM, AZ, BY, KG, KZ, MD, RU, TJ, TM), European (AT, BE, BG, CH, CY, CZ, DE, DK, EE, ES, FI, FR, GB, GR, HR, HU, IE, IS, IT, LT, LU, LV, MC, MT, NL, NO, PL, PT, RO, SE, SI, SK, TR), OAPI (BF, BJ, CF, CG, CI, CM, GA, GN, GQ, GW, ML, MR, NE, SN, TD, TG).

Declarations under Rule 4.17:

- as to the identity of the inventor (Rule 4.17(i))
- as to applicant's entitlement to apply for and be granted a patent (Rule 4.17(ii))

[Continued on next page]

(54) Title: MODULAR POWER SUPPLY FOR COMPUTER SERVERS

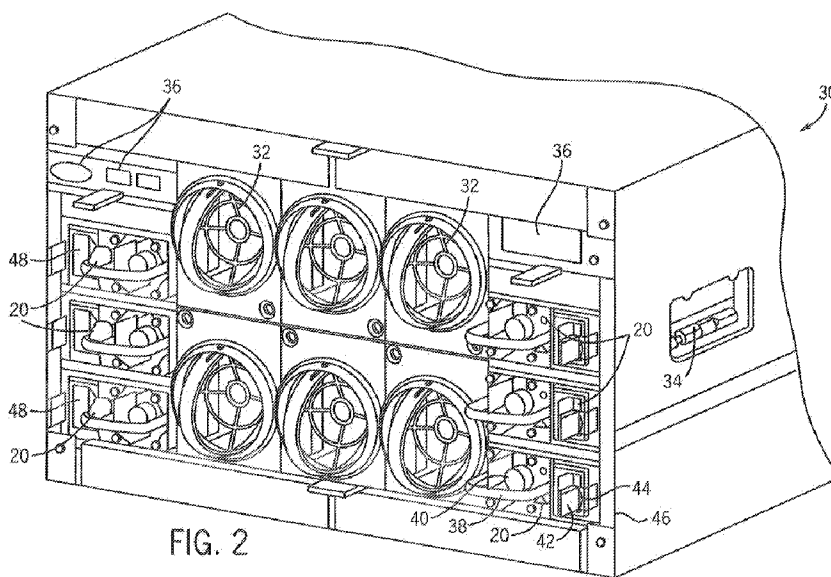


FIG. 2

(57) Abstract: A system (10), in certain embodiments, may include a server power supply (20) having a modular chassis (50) having dimensions standardized across a plurality of different servers. The dimensions may be configured to fit the modular chassis (50) uniformly within receptacles of the plurality of different servers. A method of manufacture, in certain embodiments, may include providing a server power supply (20) having a modular chassis (50) with dimensions standardized across a plurality of different servers. Again, the dimensions may be configured to fit the modular chassis (50) uniformly within receptacles of the plurality of different servers.



WO 2009/075953 A3



— *as to the applicant's entitlement to claim the priority of the earlier application (Rule 4.17(iii))* — *before the expiration of the time limit for amending the claims and to be republished in the event of receipt of amendments*

Published:



— *with international search report*

(88) Date of publication of the international search report:

6 August 2009

INTERNATIONAL SEARCH REPORT

International application No.
PCT/US2008/081046

A. CLASSIFICATION OF SUBJECT MATTER		
<i>G06F 1/26(2006.01)i, G06F 1/16(2006.01)i, G06G 7/62(2006.01)i</i>		
According to International Patent Classification (IPC) or to both national classification and IPC		
B. FIELDS SEARCHED		
Minimum documentation searched (classification system followed by classification symbols) IPC G06F, H05K		
Documentation searched other than minimum documentation to the extent that such documents are included in the fields searched Korean Utility models and applications for Utility models since 1975 Japanese Utility models and applications for Utility models since 1975		
Electronic data base consulted during the international search (name of data base and, where practicable, search terms used) eKIPASS(KIPO internal) "Keywords: server, rack, chassis, power supply, and similar terms"		
C. DOCUMENTS CONSIDERED TO BE RELEVANT		
Category*	Citation of document, with indication, where appropriate, of the relevant passages	Relevant to claim No.
A	US 2005-162836 A1 (JAMES BRIGGS et al.) 28 July 2005 See the abstract, paragraphs [0052-0053, 0056, 0062, 0069], Claims, and figures 1, 6.	1-10
A	US 2007-0230113 A1 (CHIN-CHUN CHIANG) 4 October 2007 See the abstract, paragraphs [0005, 0010, 0017], Claims, and figures 1, 4.	1-10
A	US 6525930 B1 (GARY S. RUMNEY) 25 February 2003 See the abstract, column 1, line 32 - line 36, column 3, line 38 - line 44, column 4, line 42 - column 5, line 4, and figures 3, 6.	1-10
A	US 2004-0073816 A1 (PETER A. HANSEN) 15 April 2004 See the abstract, paragraphs [0033 - 0035], and figures 3-4.	1-10
<input type="checkbox"/> Further documents are listed in the continuation of Box C. <input checked="" type="checkbox"/> See patent family annex.		
<p>* Special categories of cited documents:</p> <p>"A" document defining the general state of the art which is not considered to be of particular relevance</p> <p>"E" earlier application or patent but published on or after the international filing date</p> <p>"L" document which may throw doubts on priority claim(s) or which is cited to establish the publication date of citation or other special reason (as specified)</p> <p>"O" document referring to an oral disclosure, use, exhibition or other means</p> <p>"P" document published prior to the international filing date but later than the priority date claimed</p> <p>"T" later document published after the international filing date or priority date and not in conflict with the application but cited to understand the principle or theory underlying the invention</p> <p>"X" document of particular relevance; the claimed invention cannot be considered novel or cannot be considered to involve an inventive step when the document is taken alone</p> <p>"Y" document of particular relevance; the claimed invention cannot be considered to involve an inventive step when the document is combined with one or more other such documents, such combination being obvious to a person skilled in the art</p> <p>"&" document member of the same patent family</p>		
Date of the actual completion of the international search 19 JUNE 2009 (19.06.2009)		Date of mailing of the international search report 22 JUNE 2009 (22.06.2009)
Name and mailing address of the ISA/KR  Korean Intellectual Property Office Government Complex-Daejeon, 139 Seonsa-ro, Seo-gu, Daejeon 302-701, Republic of Korea Facsimile No. 82-42-472-7140		Authorized officer HWANG, Yun Koo Telephone No. 82-42-481-5788 

INTERNATIONAL SEARCH REPORT

Information on patent family members

International application No.

PCT/US2008/081046

Patent document cited in search report	Publication date	Patent family member(s)	Publication date
US 2005-162836 A1	28.07.2005	US 7379305 B2 US 2008-278889 A1 WO 2005-074097 A2 WO 2005-074097 A3	27.05.2008 13.11.2008 11.08.2005 03.08.2006
US 2007-0230113 A1	04.10.2007	None	
US 6525930 B1	25.02.2003	None	
US 2004-073816 A1	15.04.2004	None	