



US00D698440S

(12) **United States Design Patent**
Lombardi, III et al.

(10) **Patent No.:** **US D698,440 S**

(45) **Date of Patent:** **** Jan. 28, 2014**

(54) **CONNECTOR FOR FLUID TUBING**

FOREIGN PATENT DOCUMENTS

(75) Inventors: **Francis J. Lombardi, III**, Loveland, CO (US); **Ravikumar Narayanan**, Fort Collins, CO (US)

BE 479098 1/1948
DE 1868896 3/1963

(Continued)

(73) Assignee: **Nordson Corporation**, Westlake, OH (US)

OTHER PUBLICATIONS

U.S. Appl. No. 29/385,357, filed Feb. 11, 2011, Lombardi et al., Pending.

(**) Term: **14 Years**

(Continued)

(21) Appl. No.: **29/398,433**

(22) Filed: **Jul. 29, 2011**

Primary Examiner — David Muller

(51) **LOC (10) Cl.** **24-02**

(74) *Attorney, Agent, or Firm* — Dorsey & Whitney LLP

(52) **U.S. Cl.**

USPC **D24/129**

(58) **Field of Classification Search**

USPC D24/108–110.5, 127–130; 604/905, 604/533, 544, 408, 538, 43; 285/304–321

See application file for complete search history.

(57) **CLAIM**

We claim the ornamental design for a connector for fluid tubing, as shown and described.

(56) **References Cited**

DESCRIPTION

U.S. PATENT DOCUMENTS

163,261 A	5/1875	Ruppenthal
185,896 A	1/1877	Curtis
187,982 A	3/1877	Pirsson et al.
200,944 A	3/1878	Smith
235,580 A	12/1880	Smith et al.
327,509 A	10/1885	Aldridge
584,008 A	6/1887	Munson
465,868 A	12/1891	List
725,421 A	4/1903	Dinkins
727,982 A	5/1903	Ludwig
874,957 A	12/1907	Godley
884,461 A	4/1908	Browne
909,131 A	1/1909	Antic
951,889 A	3/1910	Teuer
D42,368 S	3/1912	Mossberg
1,029,819 A	6/1912	Nylander
1,033,187 A	7/1912	Metzger
1,039,354 A	9/1912	Bonadio
1,077,417 A	11/1913	McCracken

(Continued)

This application is related to U.S. design patent application Ser. No. 29/398,437 filed Jul. 29, 2011 entitled “Male body of connector for fluid tubing” and U.S. design patent application Ser. No. 29/398,440 filed Jul. 29, 2011 entitled “Female body of connector for fluid tubing.”

FIG. 1 is a top-left isometric view of a connector for fluid tubing composed of a male body connected with a female body.

FIG. 2 is a left side elevation view thereof;

FIG. 3 is a right side elevation view thereof;

FIG. 4 is a front elevation view thereof;

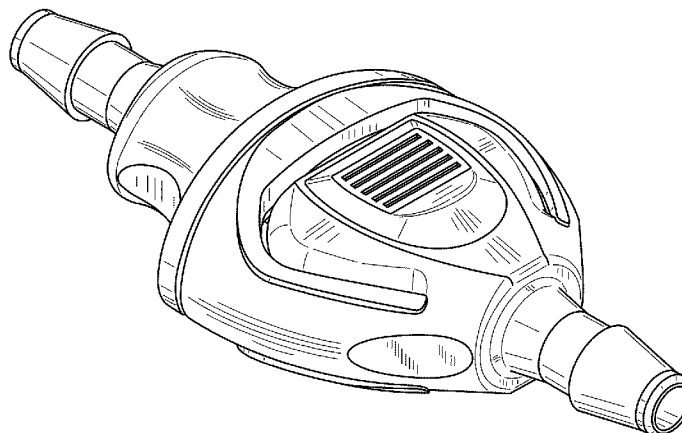
FIG. 5 is a rear elevation view thereof;

FIG. 6 is a top plan view thereof; and,

FIG. 7 is a bottom plan view thereof.

The broken lines, which define the bounds of the claimed design, form no part of the claimed design.

1 Claim, 5 Drawing Sheets



(56)

References Cited

U.S. PATENT DOCUMENTS

1,078,112 A	11/1913	Storm	D209,166 S	11/1967	Hunt
1,115,945 A	11/1914	Kunz	D209,168 S	11/1967	Hunt
1,193,446 A	8/1916	Wells	3,352,576 A	11/1967	Thomas
1,239,345 A	9/1917	Brown	3,382,892 A	5/1968	Cerbin
1,255,847 A	2/1918	Arkin	3,403,930 A	10/1968	Bernier
1,259,684 A	3/1918	Vinten	3,432,176 A	3/1969	Valenziano
1,489,310 A	4/1924	Critchlow	3,448,760 A	6/1969	Cranage
1,526,218 A	2/1925	Johnson	3,450,424 A	6/1969	Calisher
1,578,504 A	3/1926	Bronson et al.	3,512,808 A	5/1970	Graham
1,587,079 A	6/1926	Machino	3,523,701 A	8/1970	Graham
1,767,073 A	6/1930	Ingold	3,538,940 A	11/1970	Graham
1,863,360 A	6/1932	Weatherhead	3,542,338 A	11/1970	Scaramucci
1,950,947 A	3/1934	Mulroyan	3,545,490 A	12/1970	Burrus
2,023,428 A	12/1935	Liebhartd	3,550,626 A	12/1970	Daniels et al.
2,056,524 A	10/1936	Johnson	3,560,027 A	2/1971	Graham
2,066,473 A	1/1937	Jorgensen	3,563,265 A	2/1971	Graham
2,097,628 A	11/1937	Liebhartd	3,574,314 A	4/1971	Quercia
2,099,335 A	11/1937	Hansen	3,588,149 A	6/1971	Demler
2,108,714 A	2/1938	Hirsch et al.	3,596,933 A	8/1971	Luckenbill
2,116,705 A	5/1938	Marx et al.	3,599,843 A	8/1971	Johnston
2,139,745 A	12/1938	Goodall	3,600,917 A	8/1971	Krock
2,147,355 A	2/1939	Scholtes	3,649,050 A	3/1972	Woodling
2,159,116 A	5/1939	Zacharias	3,666,297 A	5/1972	Marks
2,211,147 A	8/1940	Miller	3,690,336 A	9/1972	Drum
2,257,321 A	9/1941	Arnold	3,712,583 A	1/1973	Martindale et al.
2,263,293 A	11/1941	Ewald	3,747,964 A	7/1973	Nilsen
2,264,815 A	12/1941	Thomsen	3,750,238 A	8/1973	Tanner
2,340,119 A	1/1944	Graham	3,815,887 A	6/1974	Curtis et al.
2,346,445 A	4/1944	Merker et al.	3,817,561 A	6/1974	Kay
2,352,728 A	7/1944	Merker et al.	3,829,135 A	8/1974	Forni
2,429,782 A	10/1947	Versoy	3,876,234 A	4/1975	Harms
2,432,946 A	12/1947	Theunissen	3,889,710 A	6/1975	Brost
2,470,800 A	5/1949	Ashton	3,899,200 A	8/1975	Gamble
2,479,499 A	8/1949	Le Clair	3,921,656 A	11/1975	Meisenheimer, Jr. et al.
2,500,720 A	3/1950	Van der Heem	3,979,934 A	9/1976	Isenmann
2,507,536 A	5/1950	Goodson	3,990,674 A	11/1976	Schattenberg
2,516,583 A	7/1950	Moore	3,995,659 A	12/1976	Cantore
2,535,740 A	12/1950	Knopp	4,025,049 A	5/1977	Schmidt
2,577,009 A	12/1951	Frantz	4,039,213 A	8/1977	Walters
2,626,974 A	1/1953	Howard et al.	4,072,330 A	2/1978	Brysch
2,630,131 A	3/1953	Snyder	4,099,748 A	7/1978	Kavick
2,661,018 A	12/1953	Snyder	4,113,627 A	9/1978	Leason
2,701,147 A	2/1955	Summerville	4,116,476 A	9/1978	Porter et al.
2,722,399 A	11/1955	Oetiker	4,129,145 A	12/1978	Wynn
2,753,195 A	7/1956	Palmer	4,142,546 A	3/1979	Sandau
2,774,616 A	12/1956	Dodd et al.	D252,470 S	7/1979	Pawlak
2,790,571 A	4/1957	Flaith et al.	4,181,149 A	1/1980	Cox
2,864,628 A	12/1958	Edleson	4,182,519 A	1/1980	Wilson
2,915,325 A	12/1959	Foster	D254,505 S	3/1980	Parsons et al.
2,926,934 A	3/1960	Gill	4,200,605 A	4/1980	Imamura
2,931,668 A	4/1960	Baley	D255,145 S	5/1980	Nederman
2,937,892 A	5/1960	Prescott, Jr.	4,220,360 A	9/1980	Jacek et al.
2,948,553 A	8/1960	Gill et al.	D258,526 S	3/1981	Nederman
2,967,067 A	1/1961	Singer	4,253,687 A	3/1981	Maples
2,991,090 A	7/1961	De Cenzo	D259,278 S	5/1981	McCaw
3,017,203 A	1/1962	Macleod	4,271,865 A	6/1981	Galloway et al.
3,037,497 A	6/1962	Roberson	4,282,175 A	8/1981	Volgstadt et al.
3,046,028 A	7/1962	Nathan	4,287,644 A	9/1981	Durand
3,048,415 A	8/1962	Shook	4,294,285 A	10/1981	Joslyn
3,073,342 A	1/1963	Magorien	4,296,949 A	10/1981	Muetterties et al.
3,078,068 A	2/1963	Romney	4,319,774 A	3/1982	Kavick
D196,473 S	10/1963	Hill	4,330,010 A	5/1982	Drescher et al.
3,124,157 A	3/1964	Krzewina	4,330,142 A	5/1982	Paini
3,129,020 A	4/1964	Bujnowski	4,331,175 A	5/1982	Brake et al.
3,171,196 A	3/1965	Helitas	4,331,177 A	5/1982	Makishima
3,191,628 A	6/1965	Kirkwood et al.	4,340,200 A	7/1982	Stegmeier
3,217,400 A	11/1965	Illesy et al.	4,345,786 A	8/1982	Egert
3,217,771 A	11/1965	Beall et al.	4,346,703 A	8/1982	Dennehey
3,227,380 A	1/1966	Pinkston	4,351,351 A	9/1982	Flory et al.
3,237,974 A	3/1966	Press	4,366,816 A	1/1983	Bayard et al.
3,245,703 A	4/1966	Manly	4,393,548 A	7/1983	Herb
3,276,799 A	10/1966	Moore et al.	4,397,442 A	8/1983	Larkin
3,279,497 A	10/1966	Norton et al.	4,407,526 A	10/1983	Cicenas
3,314,696 A	4/1967	Ferguson et al.	4,431,031 A	2/1984	Ettlinger
3,317,214 A	5/1967	Durgom	4,431,218 A	2/1984	Paul
			4,434,121 A	2/1984	Schaper
			4,436,125 A	3/1984	Blenkush
			4,437,689 A	3/1984	Goebel et al.
			4,439,188 A	3/1984	Dennehey

(56)

References Cited

U.S. PATENT DOCUMENTS

4,458,719 A	7/1984	Strybel	5,090,747 A	2/1992	Kotake
4,489,914 A	12/1984	Stevenson et al.	5,094,482 A	3/1992	Petty et al.
4,489,961 A	12/1984	Laidig	5,104,158 A	4/1992	Meyer et al.
4,500,118 A	2/1985	Blenkush	5,106,127 A	4/1992	Briet
4,527,745 A	7/1985	Butterfield et al.	D326,155 S	5/1992	Boehringer et al.
4,541,457 A	9/1985	Blenkush	5,110,163 A	5/1992	Benson et al.
4,541,657 A	9/1985	Smyth	5,112,084 A	5/1992	Washizu
4,553,587 A	11/1985	Traylor	5,114,250 A	5/1992	Usui
D282,962 S	3/1986	Gerber	D326,715 S	6/1992	Schmidt
4,580,816 A	4/1986	Campbell et al.	5,123,677 A	6/1992	Kreczko et al.
4,603,888 A	8/1986	Goodall et al.	5,143,381 A	9/1992	Temple
4,603,890 A	8/1986	Huppee	5,160,177 A	11/1992	Washizu
4,613,112 A	9/1986	Phlipot et al.	5,160,474 A	11/1992	Huff
4,616,859 A	10/1986	Brunet	5,165,733 A	11/1992	Sampson
4,626,001 A	12/1986	Lee	5,169,161 A	12/1992	Jones
4,630,847 A	12/1986	Blenkush	D332,482 S	1/1993	Petty et al.
4,632,436 A	12/1986	Kimura	5,176,406 A	1/1993	Straghan
4,635,972 A	1/1987	Lyall	5,178,303 A	1/1993	Blenkush et al.
4,645,245 A	2/1987	Cunningham	5,181,752 A	1/1993	Benson et al.
4,658,326 A	4/1987	Clark et al.	D333,178 S	2/1993	Novy
4,659,116 A	4/1987	Cameron	5,190,224 A	3/1993	Hamilton
4,694,544 A	9/1987	Chapman	5,222,279 A	6/1993	Franco et al.
4,699,298 A	10/1987	Grant et al.	5,228,724 A	7/1993	Godeau
4,700,926 A	10/1987	Hansen	5,232,020 A	8/1993	Mason et al.
4,703,957 A	11/1987	Blenkush	D339,417 S	9/1993	Sampson et al.
4,706,847 A	11/1987	Sankey et al.	5,251,025 A	10/1993	Cooper et al.
4,712,280 A	12/1987	Fildan	5,273,053 A	12/1993	Pohndorf
4,733,890 A	3/1988	Vyse	5,297,826 A	3/1994	Percebois et al.
4,738,401 A	4/1988	Filicicchia	5,316,041 A	5/1994	Ramacier, Jr. et al.
4,753,268 A	6/1988	Palau	5,318,332 A	6/1994	Hohmann et al.
4,768,558 A	9/1988	Weber	5,330,235 A	7/1994	Wagner et al.
4,776,067 A	10/1988	Sorensen	5,348,051 A	9/1994	Kallenbach
4,790,567 A	12/1988	Kawano et al.	5,348,354 A	9/1994	Badoureaux
4,790,569 A	12/1988	Chaffee	5,353,836 A	10/1994	deCler et al.
4,792,115 A	12/1988	Jindra et al.	5,356,183 A	10/1994	Cole
4,793,637 A	12/1988	Laipply et al.	5,374,088 A	12/1994	Moretti et al.
4,806,123 A	2/1989	Konishi et al.	5,385,311 A	1/1995	Morikawa et al.
D300,361 S	3/1989	Tokarz	5,385,331 A	1/1995	Allread et al.
4,824,148 A	4/1989	Grabowski	D357,307 S	4/1995	Ramacier, Jr. et al.
4,827,921 A	5/1989	Rugheimer	5,405,333 A	4/1995	Richmond
4,832,237 A	5/1989	Hurford, Jr.	5,405,339 A	4/1995	Kohnen et al.
4,834,423 A	5/1989	DeLand	5,405,340 A	4/1995	Fageol et al.
4,844,512 A	7/1989	Gahwiler	5,411,300 A	5/1995	Mitsui
4,863,201 A	9/1989	Carstens	5,417,442 A	5/1995	Jornhagen
4,863,202 A	9/1989	Oldford	5,421,622 A	6/1995	Godeau
4,896,402 A	1/1990	Jansen et al.	5,437,650 A	8/1995	Larkin et al.
4,900,065 A	2/1990	Houck	5,462,313 A	10/1995	Rea et al.
4,903,995 A	2/1990	Blenkush et al.	5,494,074 A	2/1996	Ramacier, Jr. et al.
4,923,228 A	5/1990	Laipply et al.	D369,409 S	4/1996	Salter
4,928,859 A	5/1990	Krahn et al.	5,507,733 A	4/1996	Larkin et al.
4,928,999 A	5/1990	Landriault et al.	5,511,527 A	4/1996	Lorraine et al.
4,934,655 A	6/1990	Blenkush et al.	D372,093 S	7/1996	Sampson et al.
4,935,992 A	6/1990	Due	5,536,258 A	7/1996	Folden
4,946,200 A	8/1990	Blenkush et al.	5,542,712 A	8/1996	Klinger et al.
4,946,204 A	8/1990	Boticki	5,547,166 A	8/1996	Engdahl
4,949,745 A	8/1990	McKeon	5,547,230 A	8/1996	Bank et al.
4,966,398 A	10/1990	Peterson	5,553,895 A	9/1996	Karl et al.
4,969,879 A	11/1990	Lichte	D375,160 S	10/1996	Sampson et al.
D313,067 S	12/1990	Kotake et al.	5,568,946 A	10/1996	Jackowski
D313,277 S	12/1990	Haining	5,595,217 A	1/1997	Gillen et al.
D314,050 S	1/1991	Sone	5,601,317 A	2/1997	Crouse et al.
D314,233 S	1/1991	Medvick	5,607,190 A	3/1997	Exandier et al.
4,982,736 A	1/1991	Schneider	5,617,609 A	4/1997	Bentley
4,991,880 A	2/1991	Bernart	5,620,025 A	4/1997	Lewin
5,009,252 A	4/1991	Faughn	5,628,726 A	5/1997	Cotter
5,015,014 A	5/1991	Sweeney	D380,262 S	6/1997	Van Funderburk et al.
5,029,908 A	7/1991	Belisaire	5,639,064 A	6/1997	deCler et al.
5,033,777 A	7/1991	Blenkush	D382,639 S	8/1997	Musgrave et al.
D319,312 S	8/1991	Schneider	D384,731 S	10/1997	Ramacier, Jr. et al.
5,052,725 A	10/1991	Meyer et al.	5,681,062 A	10/1997	Fukao et al.
5,074,601 A	12/1991	Spors et al.	5,682,662 A	11/1997	Coules et al.
5,076,615 A	12/1991	Sampson	5,683,117 A	11/1997	Corbett et al.
5,078,429 A	1/1992	Braut et al.	D387,147 S	12/1997	Vandermaast et al.
5,085,472 A	2/1992	Guest	5,692,783 A	12/1997	Watanabe et al.
5,090,448 A	2/1992	Truchet	5,695,223 A	12/1997	Boticki
			D388,876 S	1/1998	Sampson
			5,709,244 A	1/1998	Patriquin et al.
			5,725,258 A	3/1998	Kujawski
			5,737,810 A	4/1998	Krauss

(56)

References Cited

U.S. PATENT DOCUMENTS

5,745,957 A	5/1998	Khokhar et al.	6,382,593 B1	5/2002	deCler et al.
5,746,414 A	5/1998	Weldon et al.	D459,206 S	6/2002	Caveney et al.
5,762,646 A	6/1998	Cotter	6,402,207 B1	6/2002	Segal et al.
5,784,750 A	7/1998	Sankovic et al.	6,422,574 B1	7/2002	Mooklar
5,799,987 A	9/1998	Sampson	6,423,053 B1	7/2002	Lee
5,820,614 A	10/1998	Erskine et al.	6,439,620 B1	8/2002	Guest
5,837,180 A	11/1998	Linder et al.	6,454,314 B1	9/2002	Grosspietsch et al.
5,845,943 A	12/1998	Ramacier, Jr. et al.	6,481,758 B1	11/2002	Andre et al.
5,855,568 A	1/1999	Battiato et al.	6,481,759 B1	11/2002	Kawasaki et al.
5,879,033 A	3/1999	Hansel et al.	6,485,064 B1	11/2002	Davidson
5,882,047 A	3/1999	Ostrander et al.	6,485,483 B1	11/2002	Fujii
5,884,531 A	3/1999	Koenig	6,505,866 B1	1/2003	Nakamura et al.
D407,803 S	4/1999	Redman	6,508,807 B1	1/2003	Peters
5,897,142 A	4/1999	Kulevsky	6,520,546 B2	2/2003	Szabo
5,911,367 A	6/1999	McInerney	D471,261 S	3/2003	Kozu
5,911,403 A	6/1999	deCler et al.	6,540,263 B1	4/2003	Sausner
5,911,404 A	6/1999	Cheng	6,543,745 B1	4/2003	Enerson
5,930,424 A	7/1999	Heimberger et al.	6,595,964 B2	7/2003	Finley et al.
5,937,501 A	8/1999	Imgram	6,609,696 B2	8/2003	Enerson
5,938,244 A	8/1999	Meyer	6,612,634 B1	9/2003	Zoppas
5,941,577 A	8/1999	Musellec	6,626,419 B2	9/2003	DeCler et al.
5,942,730 A	8/1999	Schwarz et al.	6,626,465 B2	9/2003	Lacroix et al.
D413,967 S	9/1999	Yuen	D481,125 S	10/2003	Hayamizu
5,957,898 A	9/1999	Jepson et al.	6,641,177 B1	11/2003	Pinciario
5,961,157 A	10/1999	Baron et al.	6,649,829 B2	11/2003	Garber et al.
5,964,485 A	10/1999	Hame et al.	6,652,007 B1	11/2003	Hwang
5,965,077 A	10/1999	Rowley et al.	D484,241 S	12/2003	Peters et al.
5,975,489 A	11/1999	deCler et al.	6,669,681 B2	12/2003	Jepson et al.
5,984,378 A	11/1999	Ostrander et al.	6,676,172 B2	1/2004	Alksnis
5,988,704 A	11/1999	Ryhman	D486,909 S	2/2004	Cise et al.
6,012,743 A	1/2000	Godeau et al.	6,688,654 B2	2/2004	Romero
6,015,171 A	1/2000	Schorn	6,692,038 B2	2/2004	Braun
D419,861 S	2/2000	Khokhar	6,695,817 B1	2/2004	Fangrow
6,019,348 A	2/2000	Powell	6,705,591 B2	3/2004	deCler
6,024,124 A	2/2000	Braun et al.	6,722,705 B2	4/2004	Korkor
6,029,701 A	2/2000	Chaffardon et al.	6,722,708 B2	4/2004	Morohoshi et al.
6,032,691 A	3/2000	Powell et al.	6,762,365 B2	7/2004	Inoue et al.
6,041,805 A	3/2000	Gydesen et al.	6,767,017 B2	7/2004	Crapart et al.
D422,487 S	4/2000	Khokhar	D495,050 S	8/2004	Guala
6,050,297 A	4/2000	Ostrowski et al.	6,783,520 B1	8/2004	Candray et al.
6,076,234 A	6/2000	Khokhar et al.	D497,428 S	10/2004	Hayamizu
6,077,245 A	6/2000	Heinrich et al.	6,799,747 B1	10/2004	Lai
6,077,259 A	6/2000	Caizza et al.	D498,533 S	11/2004	Hayamizu
6,082,401 A	7/2000	Braun et al.	6,814,726 B1	11/2004	Lauer
6,086,044 A	7/2000	Guest	6,840,277 B1	1/2005	Nimberger
6,089,540 A	7/2000	Heinrichs et al.	6,846,021 B2	1/2005	Rohde et al.
6,099,045 A	8/2000	Pirona	6,848,602 B2	2/2005	deCler et al.
6,112,855 A	9/2000	Camacho et al.	6,848,723 B2	2/2005	Lamich
6,123,690 A	9/2000	Mejslov	6,863,314 B2	3/2005	Guest
6,135,150 A	10/2000	Powell et al.	6,871,669 B2	3/2005	Meyer et al.
6,135,992 A	10/2000	Wang	6,871,878 B2	3/2005	Miros
6,142,538 A	11/2000	Volgstadt et al.	D503,778 S	4/2005	Wicks
6,145,896 A	11/2000	Vitel et al.	6,886,803 B2	5/2005	Mikiya et al.
6,152,914 A	11/2000	Van De Kerkhof et al.	6,897,374 B2	5/2005	Garber et al.
6,155,610 A	12/2000	Godeau et al.	6,899,315 B2	5/2005	Maiville et al.
6,161,578 A	12/2000	Braun et al.	6,902,144 B2	6/2005	deCler
6,176,523 B1	1/2001	Winslett	D507,647 S	7/2005	Beck et al.
6,182,694 B1	2/2001	Sievers et al.	6,916,007 B2	7/2005	deCler et al.
6,189,560 B1	2/2001	Reynolds	6,916,050 B2	7/2005	Milhas
6,199,915 B1	3/2001	Becker	6,926,311 B2	8/2005	Chang et al.
6,199,919 B1	3/2001	Kawasaki et al.	6,929,246 B2	8/2005	Arzenton et al.
6,199,920 B1	3/2001	Neustadt	6,945,273 B2	9/2005	Reid
6,206,028 B1	3/2001	Holden et al.	6,949,084 B2	9/2005	Marggi et al.
6,221,064 B1	4/2001	Nadal	6,962,275 B2	11/2005	deCler et al.
6,231,089 B1	5/2001	DeCler et al.	6,978,800 B2	12/2005	deCler et al.
D444,054 S	6/2001	Bernard et al.	6,981,547 B2	1/2006	Maguire et al.
6,250,688 B1	6/2001	Kirby	6,997,486 B2	2/2006	Milhas
6,257,626 B1	7/2001	Campau	6,997,919 B2	2/2006	Olsen et al.
6,260,851 B1	7/2001	Baron	7,005,581 B2	2/2006	Burnette
6,261,282 B1	7/2001	Jepson et al.	7,011,342 B2	3/2006	Guivare'h et al.
6,293,596 B1	9/2001	Kinder	7,014,214 B2	3/2006	Kaneko
6,296,796 B1	10/2001	Gordon	D522,109 S	5/2006	White et al.
6,302,147 B1	10/2001	Rose et al.	7,040,670 B2	5/2006	Madden
6,318,764 B1	11/2001	Trede et al.	7,044,161 B2	5/2006	Tiberghien
6,344,033 B1	2/2002	Jepson et al.	7,044,506 B2	5/2006	Dong
			D523,553 S	6/2006	Beck et al.
			7,080,665 B2	7/2006	Whall
			7,081,223 B2	7/2006	Houry
			7,108,297 B2	9/2006	Takayanagi et al.

(56)

References Cited

U.S. PATENT DOCUMENTS

7,118,138	B1	10/2006	Rowley et al.	D652,511	S	1/2012	Lombardi, III et al.	
7,128,348	B2	10/2006	Kawamura et al.	D654,573	S	2/2012	Lombardi, III et al.	
7,137,654	B2	11/2006	Segal et al.	8,113,546	B2	2/2012	Jensen et al.	
7,140,592	B2	11/2006	Phillips	D655,393	S	3/2012	Whitaker	
7,147,252	B2	12/2006	Teuscher et al.	D661,388	S *	6/2012	Clark	D24/130
7,150,478	B2	12/2006	Poirier et al.	8,235,971	B2 *	8/2012	Christensen et al.	604/533
7,153,296	B2	12/2006	Mitchell	8,282,134	B2 *	10/2012	Cavagna	285/319
7,163,022	B2	1/2007	Whall	8,287,518	B2 *	10/2012	Kitani et al.	604/533
D540,944	S	4/2007	Guala	8,348,928	B2 *	1/2013	Guala	604/533
7,210,917	B2	5/2007	Lai et al.	8,357,142	B2 *	1/2013	Romero	604/533
D547,446	S	7/2007	Racz et al.	8,372,059	B2 *	2/2013	Ziman	604/533
D550,355	S	9/2007	Racz et al.	8,419,714	B2 *	4/2013	Webler et al.	604/538
D557,409	S	12/2007	Veliss et al.	D682,422	S *	5/2013	Anderson et al.	D24/130
7,316,428	B2	1/2008	Takayanagi et al.	8,454,059	B2 *	6/2013	Stell	285/315
D564,660	S	3/2008	Hayashi	8,469,405	B2 *	6/2013	Wheatley et al.	285/314
7,343,931	B2	3/2008	Packham	8,486,049	B2 *	7/2013	Guala	604/533
D567,340	S	4/2008	Tiberghien	8,500,715	B2 *	8/2013	Racz et al.	604/533
7,352,771	B2	4/2008	Garber	2001/0017466	A1	8/2001	Braun	
D569,507	S	5/2008	Blanchard	2002/0022762	A1	2/2002	Beane et al.	
D569,955	S	5/2008	Chen	2002/0070547	A1	6/2002	Guertin	
7,377,553	B2	5/2008	Takayanagi	2002/0093192	A1	7/2002	Matkovich	
D570,457	S	6/2008	Brown	2002/0140172	A1	10/2002	Platusich	
7,390,029	B2	6/2008	Matsubara	2002/0156344	A1	10/2002	Pasricha et al.	
7,394,375	B2	7/2008	Johnson	2002/0185861	A1	12/2002	Inoue	
7,434,842	B2	10/2008	Schmidt	2003/0004397	A1	1/2003	Kameya et al.	
7,434,846	B2	10/2008	Baumgartner	2003/0067162	A1	4/2003	Welsh et al.	
7,448,653	B2	11/2008	Jensen et al.	2003/0193188	A1	10/2003	Miros	
7,464,970	B2	12/2008	Yamada et al.	2003/0230894	A1	12/2003	Cleveland et al.	
7,467,813	B2	12/2008	Gunderson	2004/0021318	A1	2/2004	Fritze et al.	
7,469,472	B2	12/2008	DeCler et al.	2004/0056484	A1	3/2004	Kwon et al.	
7,478,840	B2	1/2009	Youssefifar	2004/0094903	A1	5/2004	Sutherland	
7,488,446	B2	2/2009	Meyer et al.	2004/0195830	A1	10/2004	Gilmour	
7,494,156	B2	2/2009	Okada	2004/0199143	A1	10/2004	Lauer	
7,503,595	B2	3/2009	McKay	2004/0227346	A1	11/2004	Jamison et al.	
7,516,990	B2	4/2009	Jamison et al.	2004/0232696	A1	11/2004	Andre	
7,546,857	B2	6/2009	Chadbourne et al.	2005/0033237	A1	2/2005	Fentress et al.	
7,547,047	B2	6/2009	deCler et al.	2005/0046184	A1	3/2005	Chang	
D595,845	S	7/2009	Miros et al.	2005/0057042	A1	3/2005	Wicks	
D595,846	S	7/2009	Racz et al.	2005/0082828	A1	4/2005	Wicks et al.	
D596,288	S	7/2009	Racz et al.	2005/0087981	A1	4/2005	Yamada et al.	
D596,739	S	7/2009	Ng et al.	2005/0209583	A1	9/2005	Powers et al.	
7,562,906	B2	7/2009	Schmidt	2005/0217265	A1	10/2005	Popp et al.	
7,566,077	B2	7/2009	Tsurumi	2005/0242579	A1	11/2005	Bright et al.	
7,581,763	B2	9/2009	Salomon-Bahls	2005/0275220	A1	12/2005	Shu	
D602,128	S	10/2009	Williams et al.	2006/0066100	A1	3/2006	Nakashima et al.	
7,614,666	B2	11/2009	Eggert et al.	2006/0152003	A1	7/2006	Slunick et al.	
7,631,660	B2	12/2009	deCler et al.	2006/0202146	A1	9/2006	Doyle	
7,647,954	B2	1/2010	Garber et al.	2006/0264814	A1	11/2006	Sage	
7,666,178	B2	2/2010	McMichael	2006/0293629	A1	12/2006	Cote, Sr. et al.	
D612,019	S	3/2010	Williams et al.	2007/0025811	A1	2/2007	Wilhelm	
D612,021	S	3/2010	Schmidt	2007/0029795	A1	2/2007	Moner et al.	
7,677,608	B2	3/2010	Takayanagi	2007/0029796	A1	2/2007	Bibby	
D613,853	S	4/2010	Ng et al.	2007/0106213	A1	5/2007	Spera et al.	
7,695,020	B2	4/2010	Schmidt	2007/0137718	A1	6/2007	Rushlander et al.	
7,708,025	B2	5/2010	Johnson	2007/0169825	A1	7/2007	Packham et al.	
7,731,244	B2	6/2010	Miros et al.	2007/0209716	A1	9/2007	Rankin	
D619,706	S	7/2010	Schon et al.	2007/0284875	A1	12/2007	Salomon-Bahls et al.	
7,770,939	B2	8/2010	Jensen et al.	2008/0007051	A1	1/2008	Jensen et al.	
7,806,139	B2	10/2010	Packham et al.	2008/0011703	A1	1/2008	Schmeisser et al.	
7,841,357	B2	11/2010	Rankin	2008/0012314	A1	1/2008	Harger et al.	
D629,894	S	12/2010	Lombardi, III et al.	2008/0018105	A1	1/2008	Le Bars	
7,849,877	B2	12/2010	Tan et al.	2008/0048448	A1	2/2008	Jamison et al.	
D630,320	S	1/2011	Lombardi, III et al.	2008/0078464	A1	4/2008	Loewe	
D632,783	S	2/2011	Maesarapu	2008/0111371	A1	5/2008	Feger et al.	
7,878,553	B2	2/2011	Wicks et al.	2008/0111372	A1	5/2008	Trede et al.	
D634,840	S	3/2011	Lombardi, III et al.	2008/0129047	A1	6/2008	Blivet et al.	
D639,398	S	6/2011	Wilhelm	2008/0164694	A1	7/2008	Zdroik et al.	
7,954,374	B2	6/2011	Rankin	2008/0191466	A1	8/2008	Knipple et al.	
7,954,515	B2	6/2011	Gerst	2008/0200901	A1	8/2008	Rasmussen et al.	
D642,244	S	7/2011	Wilhelm	2008/0277923	A1	11/2008	Brandt et al.	
7,976,071	B2	7/2011	Bibby	2008/0277924	A1	11/2008	Jensen et al.	
D645,547	S	9/2011	Lombardi, III et al.	2008/0284167	A1	11/2008	Lim et al.	
D649,240	S	11/2011	Lewis et al.	2008/0287920	A1	11/2008	Fangrow et al.	
D650,478	S	12/2011	Lewis	2009/0079187	A1	3/2009	Malone	
D652,510	S	1/2012	Lombardi, III et al.	2009/0127847	A1	5/2009	Hagen et al.	
				2009/0129047	A1	5/2009	Park et al.	
				2009/0140519	A1	6/2009	Pavnaskar et al.	
				2009/0167018	A1	7/2009	Lien	
				2009/0187166	A1	7/2009	Young	

(56)

References Cited

U.S. PATENT DOCUMENTS

2009/0188575 A1 7/2009 Williams et al.
 2009/0256355 A1 10/2009 Wicks et al.
 2010/0001516 A1 1/2010 Pisula, Jr. et al.
 2010/0056975 A1 3/2010 Dale et al.
 2010/0078934 A1 4/2010 Matsunaga
 2010/0185040 A1 7/2010 Uber et al.
 2010/0194100 A1 8/2010 Koch
 2010/0276922 A1 11/2010 Rehder et al.
 2010/0295295 A1 11/2010 Schmidt
 2010/0301599 A1 12/2010 Jensen et al.
 2010/0319796 A1 12/2010 Whitaker
 2011/0012340 A1 1/2011 Packham et al.
 2011/0127767 A1 6/2011 Wicks et al.
 2011/0204621 A1 8/2011 Whitaker et al.
 2011/0204622 A1 8/2011 Lewis et al.
 2011/0210541 A1 9/2011 Lewis et al.
 2012/0031515 A1 2/2012 Whitaker
 2012/0068457 A1 3/2012 Pisula, Jr. et al.

FOREIGN PATENT DOCUMENTS

DE 3439522 8/1985
 DE 3533000 3/1987
 DE 4122455 1/1993
 DE 19800050 7/1998
 DE 102005015343 10/2006
 EP 0360634 3/1990
 EP 0390746 10/1990
 EP 0267067 7/1991
 EP 0482277 4/1992
 EP 0592823 4/1994
 EP 0715111 6/1996
 EP 0865779 9/1998
 EP 0877891 11/1998
 EP 0890054 1/1999
 EP 0982525 3/2000
 EP 1497582 1/2005
 EP 1564469 8/2005
 EP 1843074 10/2007
 FR 2031965 11/1970
 FR 2429370 1/1980
 FR 280871 10/2001
 FR 2853043 10/2004
 FR 2870921 12/2005
 FR 2903164 1/2008
 GB 583459 12/1946
 GB 890775 3/1962
 GB 2177769 1/1987
 GB 2218166 11/1989
 GB 2271157 4/1994
 GB 2379253 3/2003
 JP 53-006918 1/1978
 JP 5-223189 8/1993
 JP 7-145889 6/1995
 JP 10-169869 6/1998
 JP 11-82849 3/1999
 JP 2003-42363 2/2003
 JP 2003-42368 2/2003
 WO WO 93/17270 9/1993
 WO WO 95/08732 3/1995
 WO WO 00/079172 12/2000
 WO WO 2004/104466 12/2004
 WO WO 2005/064216 7/2005

WO WO 2006/031958 3/2006
 WO WO 2006/073778 7/2006
 WO WO 2006/084171 8/2006
 WO WO 2006/135666 12/2006
 WO WO 2007/038222 4/2007
 WO WO 2007/116387 10/2007
 WO WO 2007/120620 10/2007
 WO WO 2008/023021 2/2008
 WO WO 2009/026441 2/2009

OTHER PUBLICATIONS

U.S. Appl. No. 29/385,360, filed Feb. 11, 2011, Lombardi et al., Pending.
 U.S. Appl. No. 29/385,363, filed Feb. 11, 2011, Lombardi et al., Pending.
 U.S. Appl. No. 29/398,437, filed Jul. 29, 2011, Cairns et al., Pending.
 U.S. Appl. No. 29/398,440, filed Jul. 29, 2011, Lombardi et al., Pending.
 U.S. Appl. No. 13/265,191, filed Oct. 19, 2011, Pisula, Jr. et al., Pending.
 About Us [online], Thuro Metal Products [retrieved on Apr. 9, 2010], retrieved from the Internet: <URL: <http://www.thurometal.com/about.html>>, 2 pages.
 Barbed Tee Adapter, ½ in to ¾ in to ½ in [Item # F1728], http://www.horticulturresource.com/product_info.php/products_id/4016/language/en; dated accessed Sep. 14, 2009, 3 pages.
 Brochure, "Precision Components", Value Plastics, Inc., 2002, 132 pages.
 Capabilities [online], Jay Manufacturing Corp., retrieved on Apr. 9, 2010, retrieved from the Internet: <URL: <http://www.jaymfg.com/capabilities.htm>>, 2 pages.
 Flojet "Quick Connect" Port System Adapter 90 Elbow Type Quad Port X ½" Hose Barb, http://www.amazon.com/Quick-Connect-Port-System-Quad-Barb-90/dp/B0000AZ771/ref=sr_1_16?s=sporting-goods&ie=UTF8&qid=1300220596&sr=1-16, date accessed Sep. 14, 2009; 3 pages.
 High-Flow Quick Disconnect Couplings; http://www.coleparmer.com/catalog/product_view.asp?sku=3130355; date accessed Sep. 14, 2009, 3 pages.
 Mills, The Process of Vacuum-forming Plastic Parts, IPFrontline.com [online], retrieved on Apr. 9, 2010, retrieved from the Internet: <URL: <http://www.ipfrontline.com/depts/article.asp?id=453&deptid=2>>, 3 pages.
 Nylon, Polypropylene Kynar (PVDF) Plastic Fittings for Flexible Tubing & Hose, http://www.omega.com/pdf/tubing/fittings_tubing_hose/nylon_poly_kynar/nylon.asp; dated accessed Sep. 14, 2009, 2 pages.
 Science of Hose Barbs, Colder Products Company, <http://www.pddnet.com/article-the-science-of-hose-barbs/>, date accessed Sep. 4, 2009, 6 pages.
 Stackable Hose Barb Elbow—½" CTS×½ ID Barb, http://www.freshwatersystems.com/p-1714-stackable-hose-barb-elbow-12-cts-x-12-id-barb.aspx?affiliated=10052&utm_source=shopzilla&utm_medium=Feed&utm_campaign=Product&utm_term=3512-1008, date accessed Sep. 14, 2009, 1 page.
 Stainless Steel Overview: History [online], Stainless Steel Industry of North America, retrieved on Apr. 9, 2010, retrieved from the Internet: <URL: <http://www.ssina.com/overview/history.html>>, 1 page.

* cited by examiner

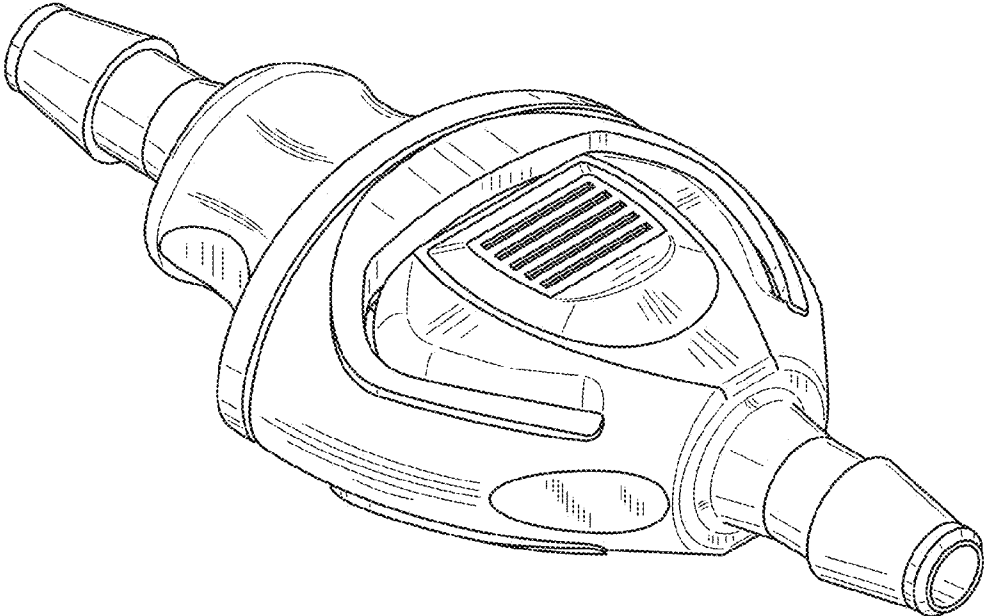


FIG.1

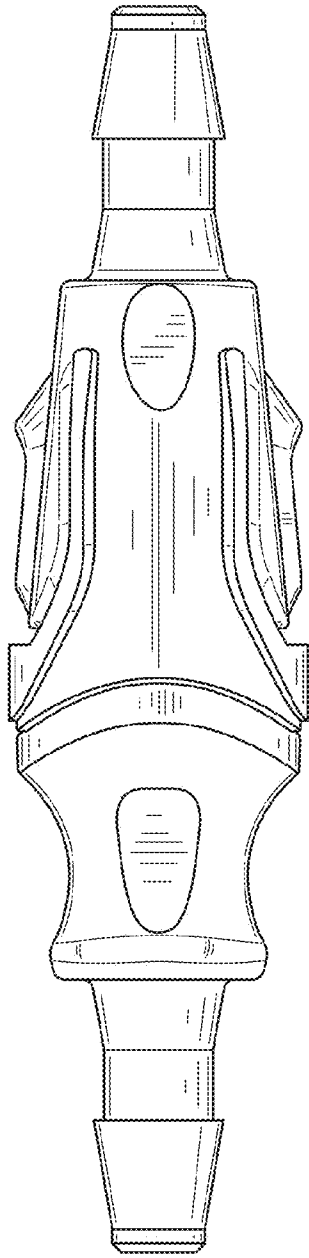


FIG. 2

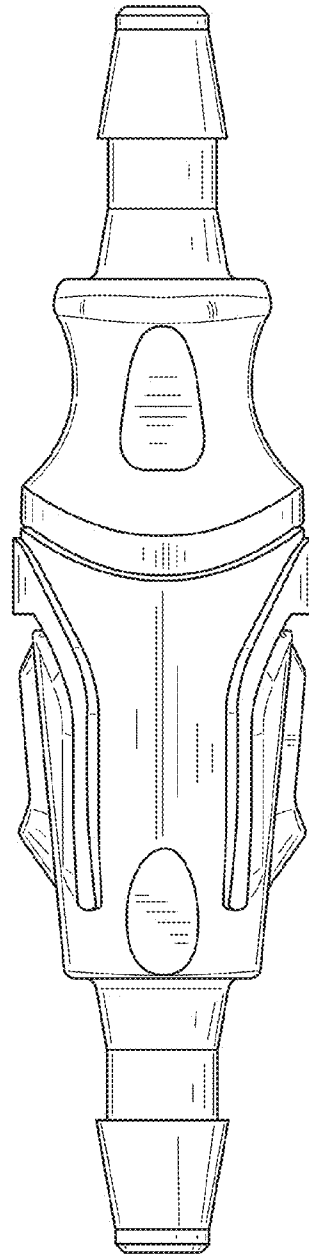


FIG. 3

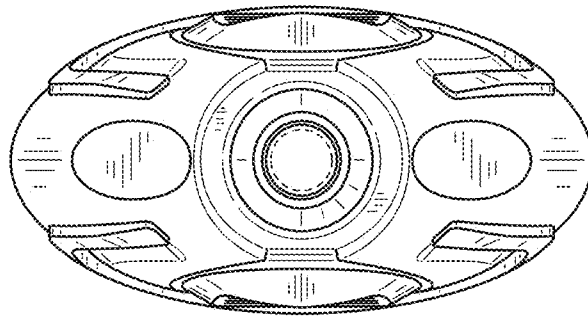


FIG. 4

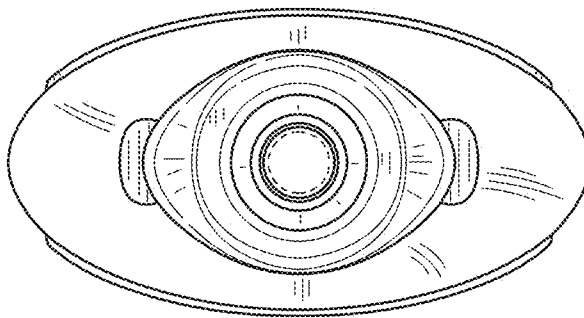


FIG. 5

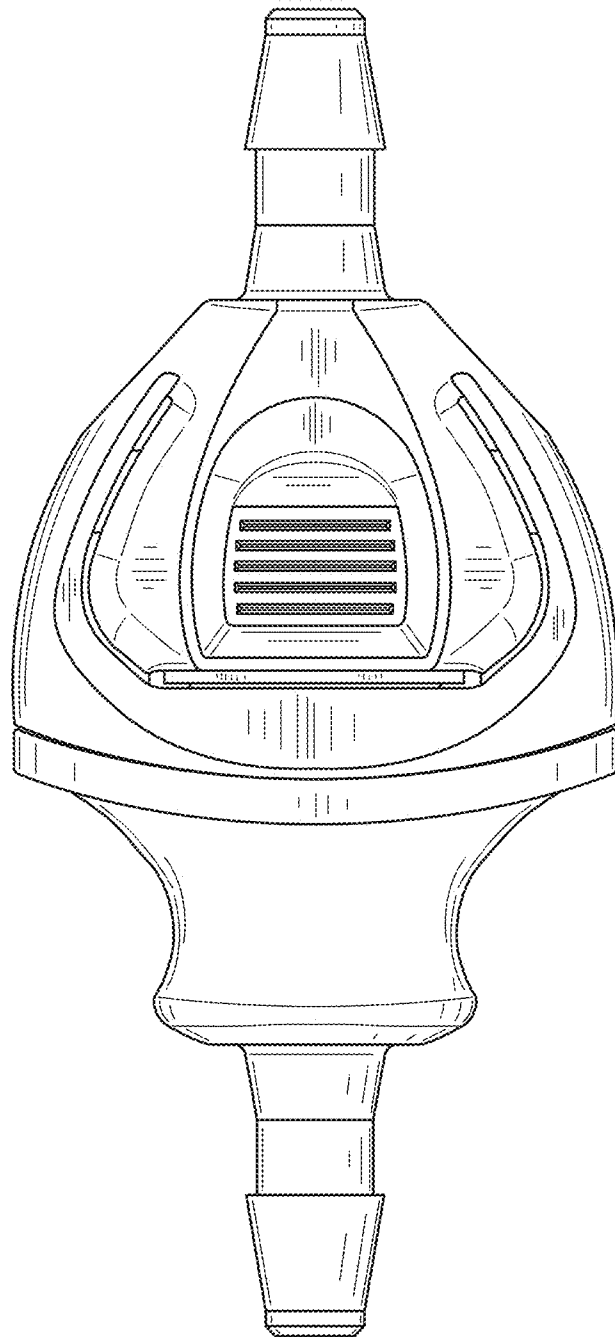


FIG.6

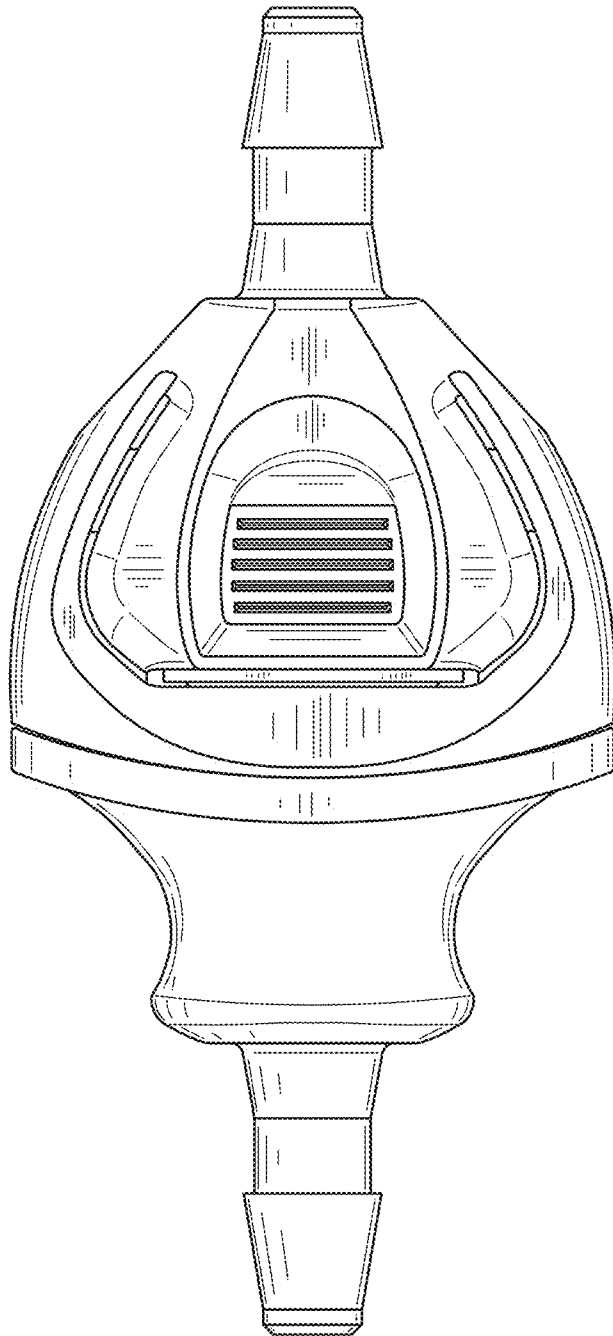


FIG.7