



US00D656263S

(12) **United States Design Patent**
Ogawa et al.

(10) **Patent No.:** **US D656,263 S**

(45) **Date of Patent:** **** Mar. 20, 2012**

(54) **RECESSED LIGHTING FIXTURE**
(75) Inventors: **Kozo Ogawa**, Kanagawa (JP); **Kazunari Higuchi**, Kanagawa (JP); **Shigetoshi Komiyama**, Kanagawa (JP); **Takayoshi Moriyama**, Kanagawa (JP)

D610,289 S *	2/2010	Yoshinobu et al.	D26/74
D610,290 S *	2/2010	Yoshinobu et al.	D26/74
D610,291 S *	2/2010	Yoshinobu et al.	D26/74
D624,691 S *	9/2010	Zhang et al.	D26/138
D625,876 S *	10/2010	Chen et al.	D26/74
2009/0201683 A1*	8/2009	Chuan	362/294
2010/0061108 A1*	3/2010	Zhang et al.	362/364
2010/0195327 A1*	8/2010	Inoue et al.	362/235

(73) Assignees: **Toshiba Lighting & Technology Corporation**, Kanagawa (JP); **Kabushiki Kaisha Toshiba**, Tokyo (JP)

FOREIGN PATENT DOCUMENTS

JP	D1293407	2/2007
JP	D1318676	1/2008
JP	D1376524	12/2009

(**) Term: **14 Years**

* cited by examiner

(21) Appl. No.: **29/369,103**

Primary Examiner — Angela J Lee

(22) Filed: **Sep. 2, 2010**

(74) *Attorney, Agent, or Firm* — J.C. Patents

(30) **Foreign Application Priority Data**

Mar. 8, 2010 (JP) 2010-005512

(51) **LOC (9) Cl.** **26-05**

(52) **U.S. Cl.** **D26/74**

(58) **Field of Classification Search** D26/24,
D26/72, 74, 80, 81, 83, 85, 88, 61, 63, 118;
362/576, 89, 145, 147, 148, 150, 151, 152,
362/153, 153.1, 294, 296.01, 311.02, 311.07,
362/364, 365, 366, 373

See application file for complete search history.

(56) **References Cited**

U.S. PATENT DOCUMENTS

D326,537 S *	5/1992	Gattari	D26/74
D573,294 S *	7/2008	Chan et al.	D26/74
D591,894 S *	5/2009	Flank	D26/74
D595,005 S *	6/2009	Chou	D26/74

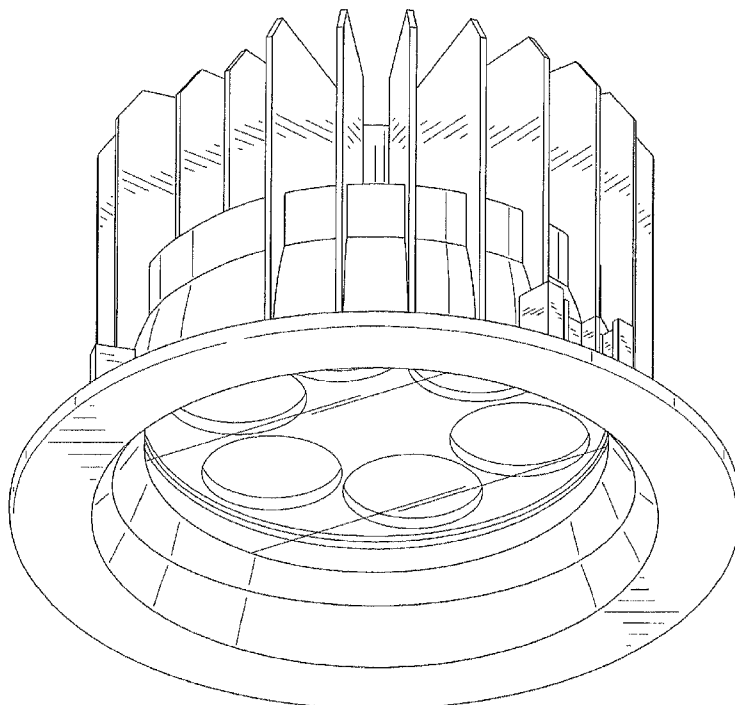
(57) **CLAIM**

The ornamental design for a recessed lighting fixture, as shown and described.

DESCRIPTION

FIG. 1 is a perspective view of a recessed lighting fixture showing our new design;
FIG. 2 is another perspective view thereof;
FIG. 3 is a front view thereof, the rear view being a minor image of the front view;
FIG. 4 is a left side view thereof;
FIG. 5 is a right side view thereof;
FIG. 6 is a top view thereof;
FIG. 7 is a bottom view thereof; and,
FIG. 8 is a cross-sectional view taken along line 8-8 in FIG. 5.

1 Claim, 8 Drawing Sheets



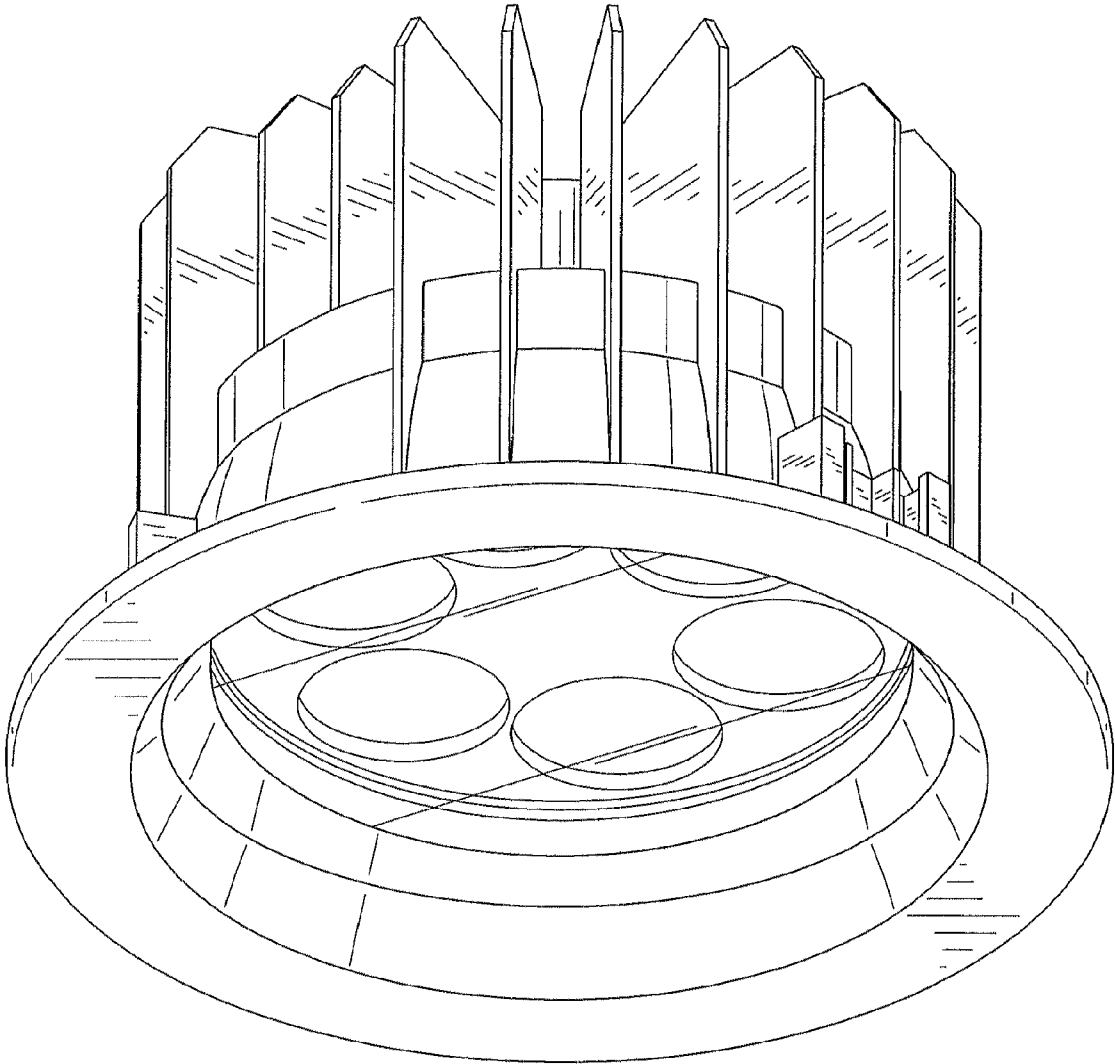


FIG. 1

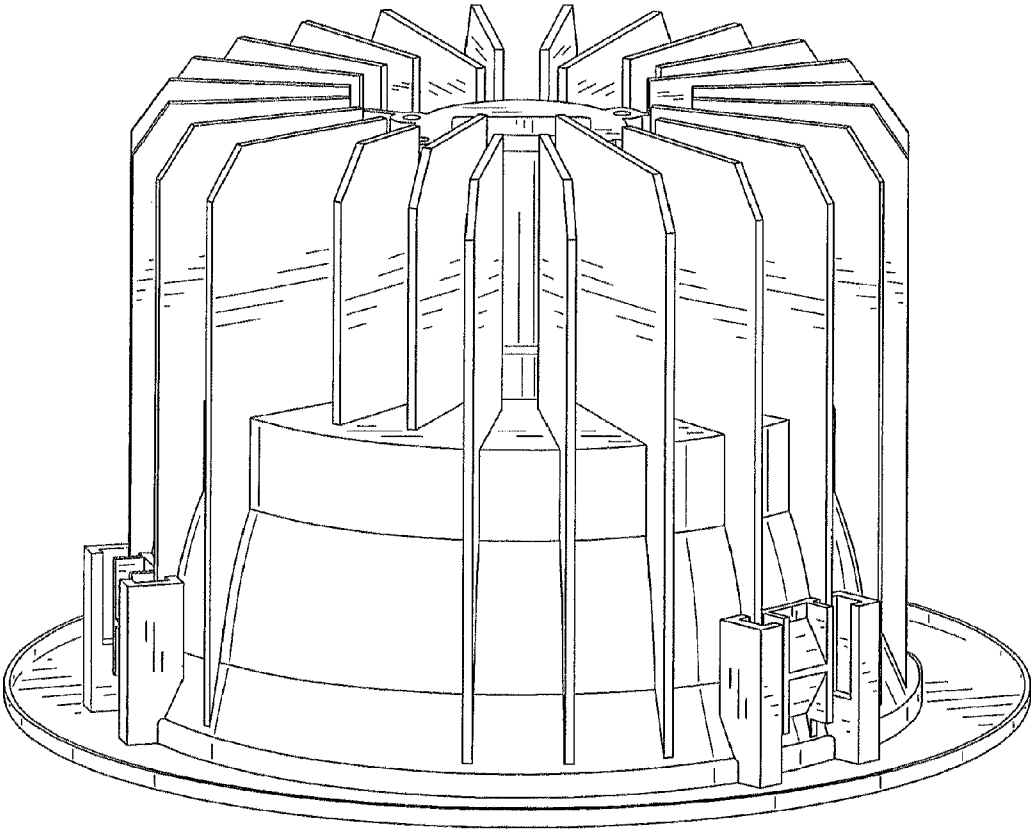


FIG. 2

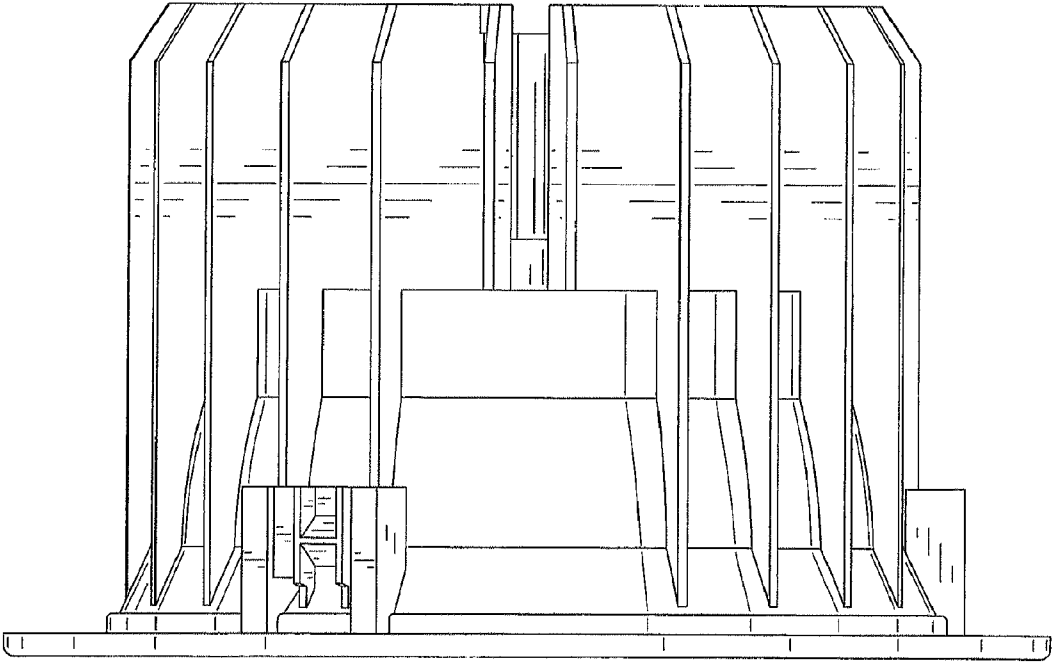


FIG. 3

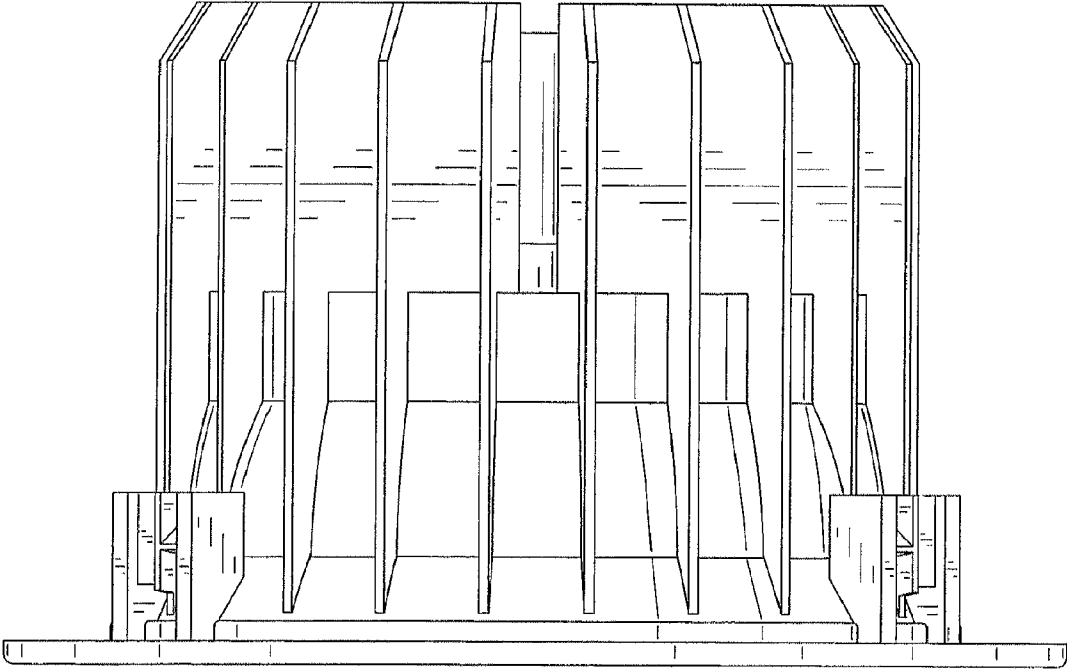


FIG. 4

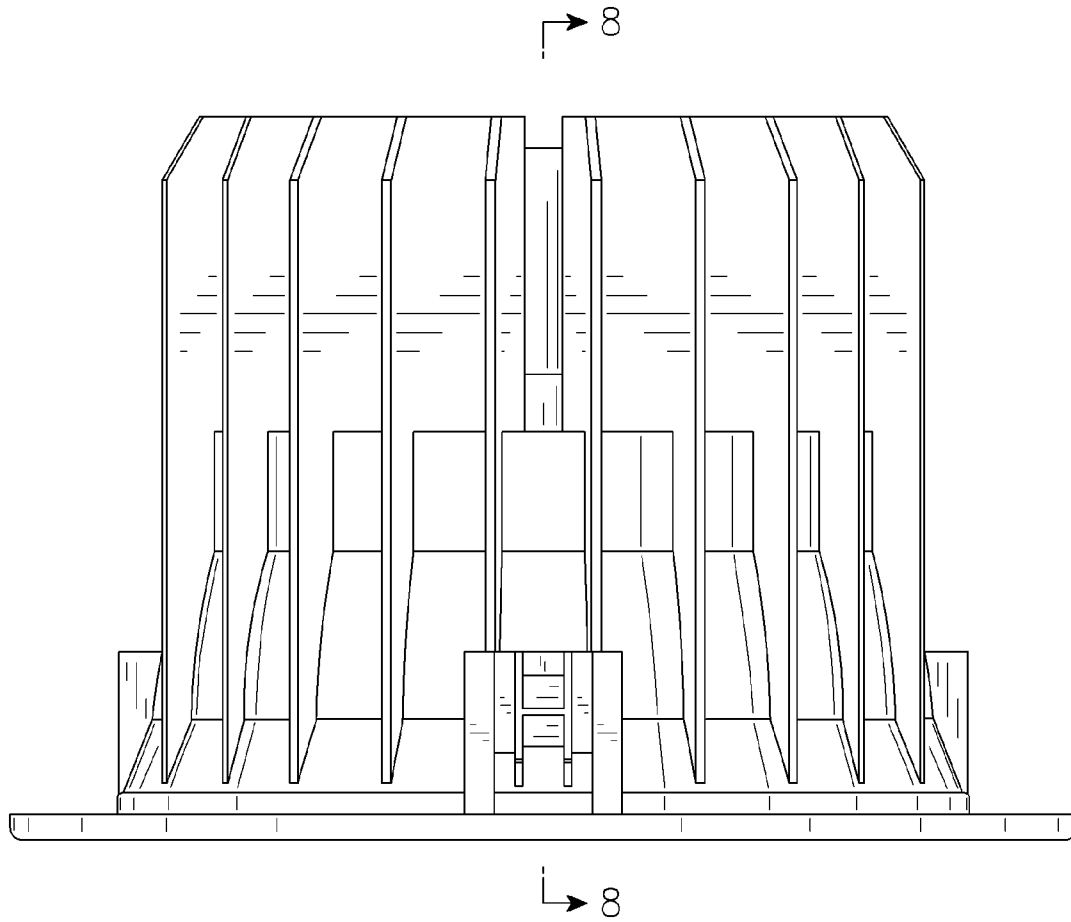


FIG. 5

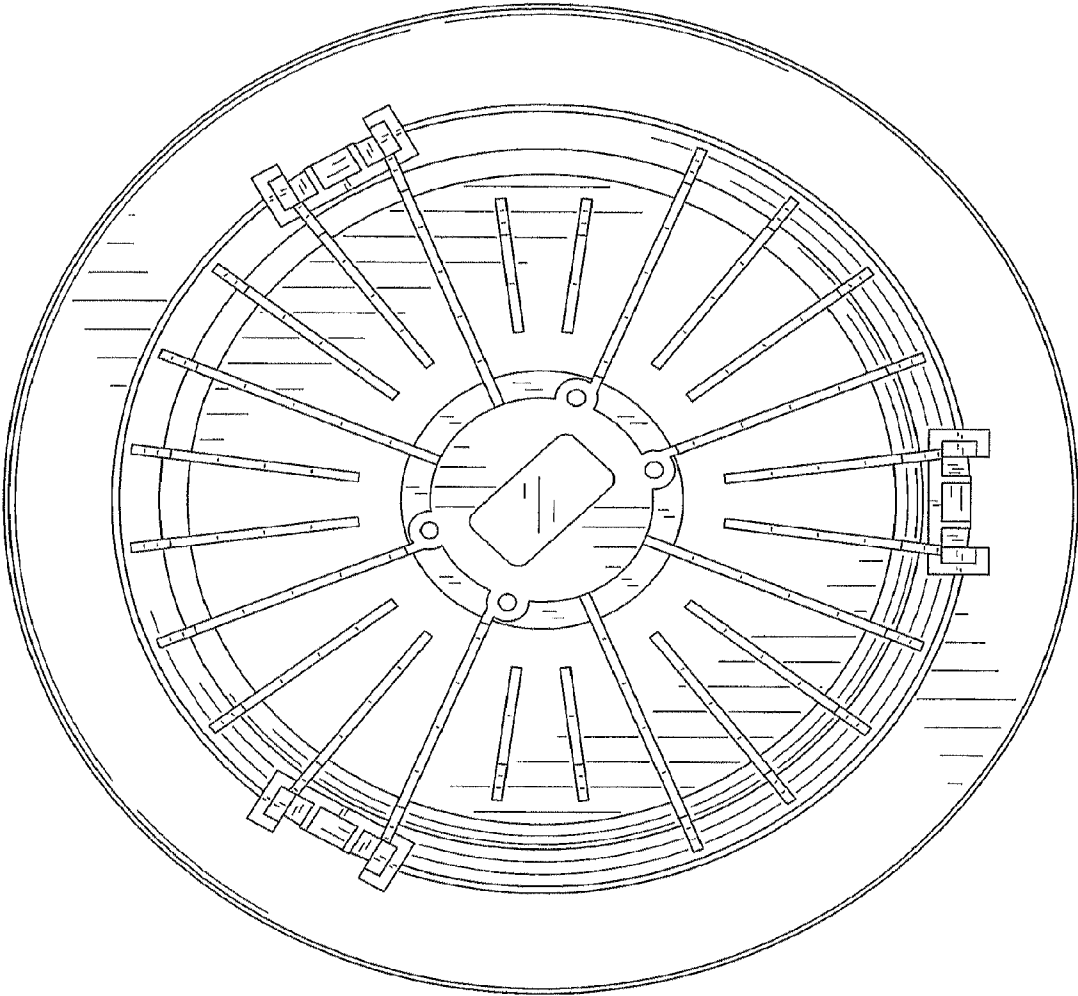


FIG. 6

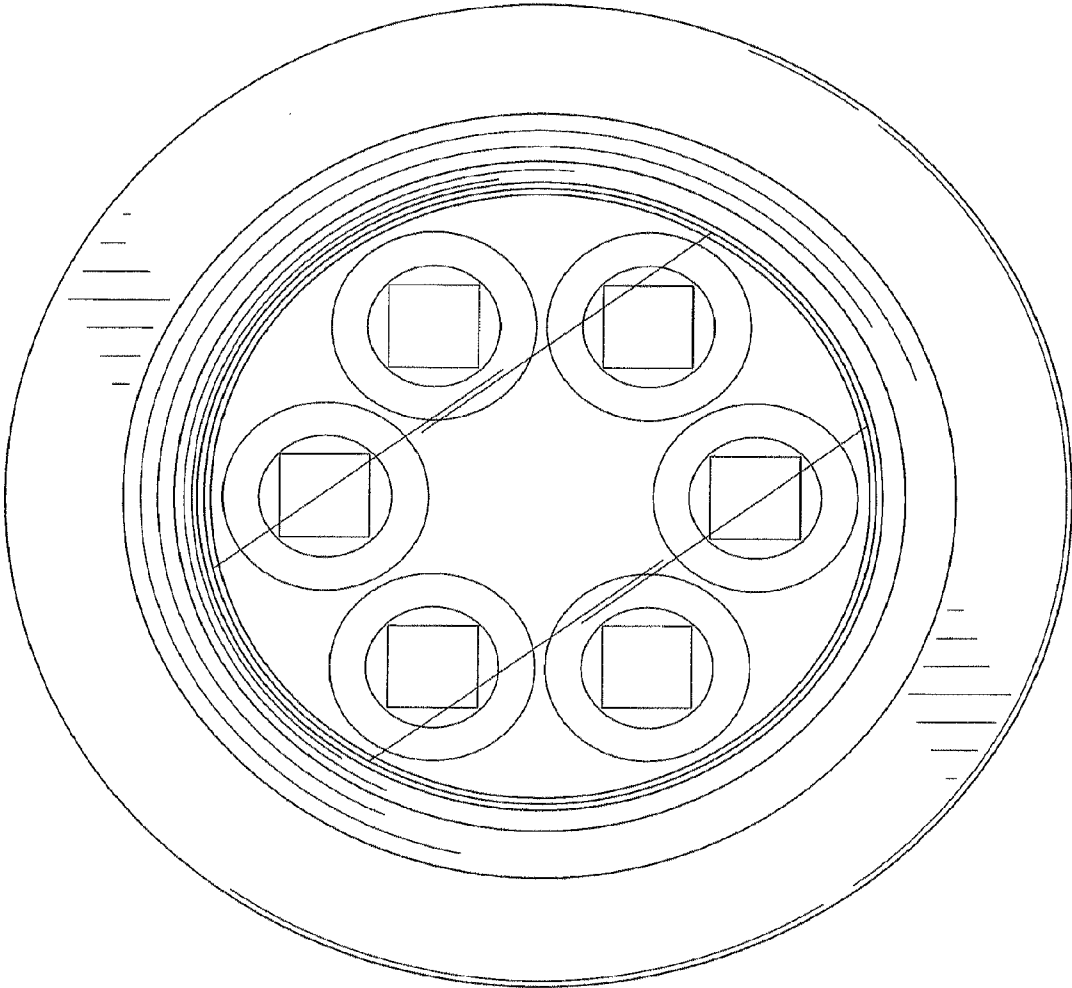


FIG. 7

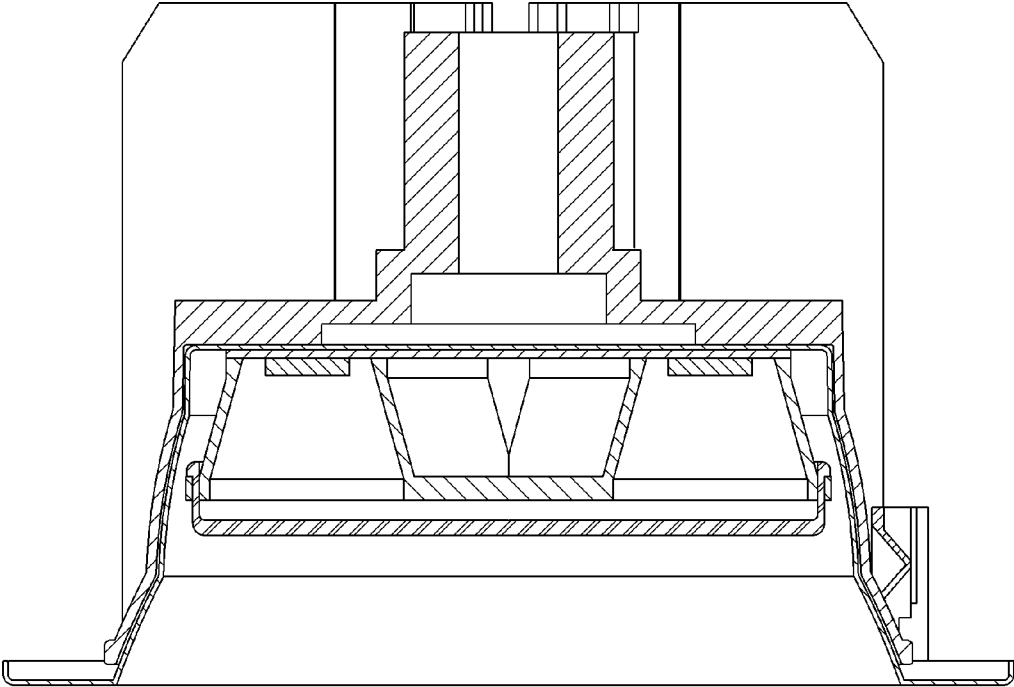


FIG. 8