

(19) World Intellectual Property
Organization
International Bureau



(43) International Publication Date
2 December 2004 (02.12.2004)

PCT

(10) International Publication Number
WO 2004/103797 A3

(51) International Patent Classification⁷: **B65D 75/00**,
5/48, 5/50, 5/52, 77/04

Louis, Steven [GB/CH]; Hardstrasse 111, CH-4052 Basel (CH). **LEIGH, Daryl Louis, Van** [GB/GB]; 111 Littlebrook Avenue, Slough SL2 2PD (GB).

(21) International Application Number:
PCT/EP2004/005419

(74) Agents: **HEINEN, Detlef** et al.; A. Braun Braun Héritier Eschmann AG, Holbeinstrasse 36-38, CH-4051 Basel (CH).

(22) International Filing Date: 19 May 2004 (19.05.2004)

(25) Filing Language: English

(81) Designated States (unless otherwise indicated, for every kind of national protection available): AE, AG, AL, AM, AT, AU, AZ, BA, BB, BG, BR, BW, BY, BZ, CA, CH, CN, CO, CR, CU, CZ, DE, DK, DM, DZ, EC, EE, EG, ES, FI, GB, GD, GE, GH, GM, HR, HU, ID, IL, IN, IS, JP, KE, KG, KP, KR, KZ, LC, LK, LR, LS, LT, LU, LV, MA, MD, MG, MK, MN, MW, MX, MZ, NA, NI, NO, NZ, OM, PG, PH, PL, PT, RO, RU, SC, SD, SE, SG, SK, SL, SY, TJ, TM, TN, TR, TT, TZ, UA, UG, US, UZ, VC, VN, YU, ZA, ZM, ZW.

(26) Publication Language: English

(30) Priority Data:
03253155.0 20 May 2003 (20.05.2003) EP

(71) Applicant (for US only): **PHARES PHARMACEUTICAL RESEARCH N.V.** [NL/NL]; P.O. Box 6052, Emancipatie Boulevard 31, Curacao (AN).

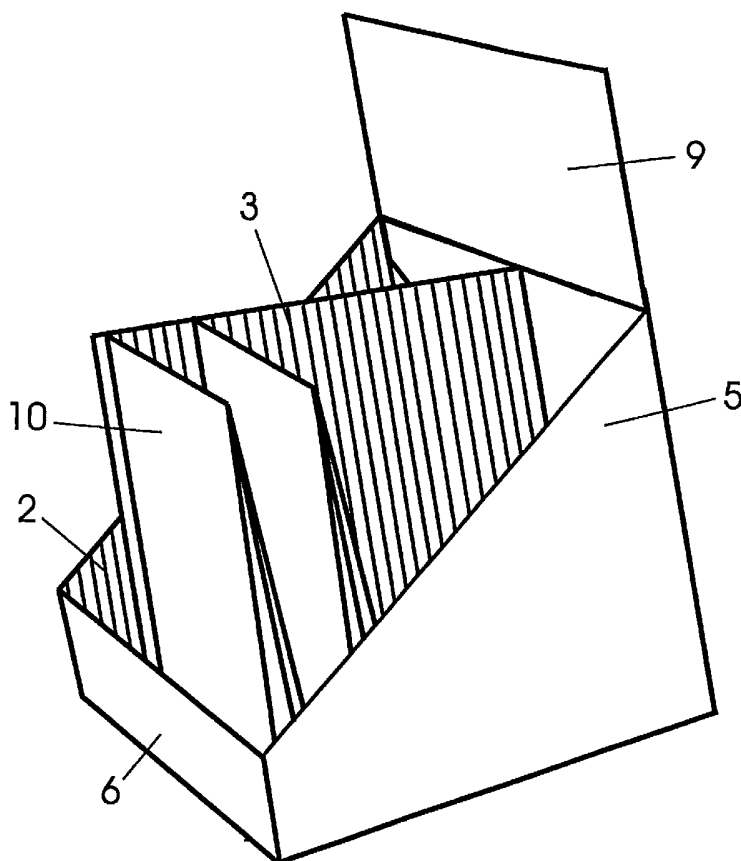
(72) Inventors; and

(84) Designated States (unless otherwise indicated, for every kind of regional protection available): ARIPO (BW, GH,

(75) Inventors/Applicants (for US only): **LEIGH, Mathew,**

[Continued on next page]

(54) Title: FLEXIBLE CONTAINERS



(57) Abstract: Primary and secondary containers for solid confectionery products are disclosed that may be used either together or separately. The primary container is a flexible container which is between 50mm to 100mm wide and 80mm to 95mm high and comprises a gusset pouch (10) made from laminates with dead fold characteristics that may be flared to provide a larger volume for filling and improved stability for upright display. The secondary container comprises a display outer (9) provided with a corrugated insert (1) for holding sachets and the like upright and optionally parasite clip arrangement (11) that is secured onto the back of the outer (9) to hang from the front and sides of shelves and stands including larger display units without taking up existing areas on top of counters or shelves.

WO 2004/103797 A3



GM, KE, LS, MW, MZ, NA, SD, SL, SZ, TZ, UG, ZM, ZW), Eurasian (AM, AZ, BY, KG, KZ, MD, RU, TJ, TM), European (AT, BE, BG, CH, CY, CZ, DE, DK, EE, ES, FI, FR, GB, GR, HU, IE, IT, LU, MC, NL, PL, PT, RO, SE, SI, SK, TR), OAPI (BF, BJ, CF, CG, CI, CM, GA, GN, GQ, GW, ML, MR, NE, SN, TD, TG).

— *before the expiration of the time limit for amending the claims and to be republished in the event of receipt of amendments*

(88) Date of publication of the international search report:
2 June 2005

Published:

— *with international search report*

For two-letter codes and other abbreviations, refer to the "Guidance Notes on Codes and Abbreviations" appearing at the beginning of each regular issue of the PCT Gazette.

INTERNATIONAL SEARCH REPORT

International Application No
PCT/EP2004/005419

A. CLASSIFICATION OF SUBJECT MATTER

IPC 7 B65D75/00 B65D5/48 B65D5/50 B65D5/52 B65D77/04

According to International Patent Classification (IPC) or to both national classification and IPC

B. FIELDS SEARCHED

Minimum documentation searched (classification system followed by classification symbols)

IPC 7 B65D A47F

Documentation searched other than minimum documentation to the extent that such documents are included in the fields searched

Electronic data base consulted during the international search (name of data base and, where practical, search terms used)

EPO-Internal

C. DOCUMENTS CONSIDERED TO BE RELEVANT

Category *	Citation of document, with indication, where appropriate, of the relevant passages	Relevant to claim No.
X	GB 2 298 850 A (GAINSBOROUGH CRAFTSMEN LIMITED) 18 September 1996 (1996-09-18)	1-4
Y	the whole document	5
X	FR 2 718 717 A (BUCHBERG AKIVA; CAPY GILBERT) 20 October 1995 (1995-10-20)	1-4
	the whole document	
X	DE 78 19 884 U (SISI WERKE GMBH) 19 January 1984 (1984-01-19)	1-3
	the whole document	
Y	US 6 116 782 A (ALBAUM GARY J ET AL) 12 September 2000 (2000-09-12)	5
	the whole document	

Further documents are listed in the continuation of box C.

Patent family members are listed in annex.

* Special categories of cited documents :

- "A" document defining the general state of the art which is not considered to be of particular relevance
- "E" earlier document but published on or after the international filing date
- "L" document which may throw doubts on priority claim(s) or which is cited to establish the publication date of another citation or other special reason (as specified)
- "O" document referring to an oral disclosure, use, exhibition or other means
- "P" document published prior to the international filing date but later than the priority date claimed

- "T" later document published after the international filing date or priority date and not in conflict with the application but cited to understand the principle or theory underlying the invention
- "X" document of particular relevance; the claimed invention cannot be considered novel or cannot be considered to involve an inventive step when the document is taken alone
- "Y" document of particular relevance; the claimed invention cannot be considered to involve an inventive step when the document is combined with one or more other such documents, such combination being obvious to a person skilled in the art.
- "&" document member of the same patent family

Date of the actual completion of the international search

7 December 2004

Date of mailing of the international search report

31.03.2005

Name and mailing address of the ISA
European Patent Office, P.B. 5818 Patentlaan 2
NL - 2280 HV Rijswijk
Tel. (+31-70) 340-2040, Tx. 31 651 epo nl,
Fax: (+31-70) 340-3016

Authorized officer
Balz, O

INTERNATIONAL SEARCH REPORT

International application No.
PCT/EP2004/005419

Box II Observations where certain claims were found unsearchable (Continuation of item 2 of first sheet)

This International Search Report has not been established in respect of certain claims under Article 17(2)(a) for the following reasons:

1. Claims Nos.:
because they relate to subject matter not required to be searched by this Authority, namely:

2. Claims Nos.:
because they relate to parts of the International Application that do not comply with the prescribed requirements to such an extent that no meaningful International Search can be carried out, specifically:

3. Claims Nos.:
because they are dependent claims and are not drafted in accordance with the second and third sentences of Rule 6.4(a).

Box III Observations where unity of invention is lacking (Continuation of item 3 of first sheet)

This International Searching Authority found multiple inventions in this international application, as follows:

see additional sheet

1. As all required additional search fees were timely paid by the applicant, this International Search Report covers all searchable claims.

2. As all searchable claims could be searched without effort justifying an additional fee, this Authority did not invite payment of any additional fee.

3. As only some of the required additional search fees were timely paid by the applicant, this International Search Report covers only those claims for which fees were paid, specifically claims Nos.:

4. No required additional search fees were timely paid by the applicant. Consequently, this International Search Report is restricted to the invention first mentioned in the claims; it is covered by claims Nos.:

1-5

Remark on Protest

- The additional search fees were accompanied by the applicant's protest.
- No protest accompanied the payment of additional search fees.

FURTHER INFORMATION CONTINUED FROM PCT/ISA/ 210

This International Searching Authority found multiple (groups of) inventions in this international application, as follows:

1. claims: 1-5

Group I relates to a flexible container

2. claims: 6-16

Group II relates to a display with a parasite arrangement

INTERNATIONAL SEARCH REPORT

Information on patent family members

International Application No

PCT/EP2004/005419

Patent document cited in search report	Publication date	Patent family member(s)	Publication date	
GB 2298850	A	18-09-1996	AU 4950196 A WO 9628349 A1	02-10-1996 19-09-1996
FR 2718717	A	20-10-1995	FR 2718717 A1	20-10-1995
DE 7819884	U	19-01-1984	DE 7819884 U1	19-01-1984
US 6116782	A	12-09-2000	AU 3225297 A CA 2256436 A1 WO 9746459 A1	05-01-1998 11-12-1997 11-12-1997