



- (51) International Patent Classification:  
*H04N 9/80* (2006.01)
- (21) International Application Number:  
PCT/US2015/020570
- (22) International Filing Date:  
13 March 2015 (13.03.2015)
- (25) Filing Language: English
- (26) Publication Language: English
- (30) Priority Data:  
61/953,693 14 March 2014 (14.03.2014) US
- (71) Applicant: SHARP LABORATORIES OF AMERICA, INC. [US/US]; 5750 NW Pacific Rim Boulevard, Camas, WA 98607 (US).
- (72) Inventor: DESHPANDE, Sachin, G.; 19514 SE 42nd Circle, Camas, WA 98607 (US).
- (74) Agents: RUSSELL, Kevin, L. et al.; Chernoff Vilhauer McClung, & Stenzel, LLP, 601 SW Second Ave., Suite 1600, Portland, OR 97204 (US).
- (81) Designated States (unless otherwise indicated, for every kind of national protection available): AE, AG, AL, AM,

AO, AT, AU, AZ, BA, BB, BG, BH, BN, BR, BW, BY, BZ, CA, CH, CL, CN, CO, CR, CU, CZ, DE, DK, DM, DO, DZ, EC, EE, EG, ES, FI, GB, GD, GE, GH, GM, GT, HN, HR, HU, ID, IL, IN, IR, IS, JP, KE, KG, KN, KP, KR, KZ, LA, LC, LK, LR, LS, LU, LY, MA, MD, ME, MG, MK, MN, MW, MX, MY, MZ, NA, NG, NI, NO, NZ, OM, PA, PE, PG, PH, PL, PT, QA, RO, RS, RU, RW, SA, SC, SD, SE, SG, SK, SL, SM, ST, SV, SY, TH, TJ, TM, TN, TR, TT, TZ, UA, UG, US, UZ, VC, VN, ZA, ZM, ZW.

- (84) Designated States (unless otherwise indicated, for every kind of regional protection available): ARIPO (BW, GH, GM, KE, LR, LS, MW, MZ, NA, RW, SD, SL, ST, SZ, TZ, UG, ZM, ZW), Eurasian (AM, AZ, BY, KG, KZ, RU, TJ, TM), European (AL, AT, BE, BG, CH, CY, CZ, DE, DK, EE, ES, FI, FR, GB, GR, HR, HU, IE, IS, IT, LT, LU, LV, MC, MK, MT, NL, NO, PL, PT, RO, RS, SE, SI, SK, SM, TR), OAPI (BF, BJ, CF, CG, CI, CM, GA, GN, GQ, GW, KM, ML, MR, NE, SN, TD, TG).

**Published:**

— with international search report (Art. 21(3))

- (88) Date of publication of the international search report:  
19 November 2015

WO 2015/138979 A3

(54) Title: DPB CAPACITY LIMITS

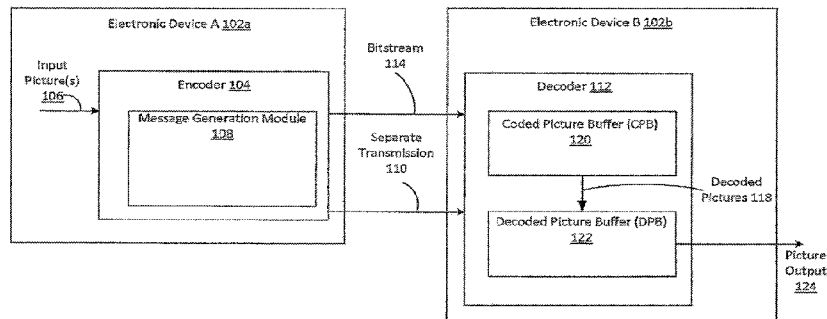


FIG. 1A

(57) Abstract: A system for encoding and/or decoding a video bitstream that includes a base bitstream and enhancement bitstreams representative of a video sequence. The receiver receives a video parameter set and a video parameter set extension, where the video parameter set extension includes decoder picture buffer parameters.

**INTERNATIONAL SEARCH REPORT**

International application No.

PCT/US 15/20570

**A. CLASSIFICATION OF SUBJECT MATTER**

IPC(8) - H04N 9/80 (2015.01)

CPC - H04N 5/85; G11B 27/105; H04N 9/8042

According to International Patent Classification (IPC) or to both national classification and IPC

**B. FIELDS SEARCHED**

Minimum documentation searched (classification system followed by classification symbols)  
IPC(8): H04N 9/80 (2015.01); CPC: H04N 5/85; G11B 27/105; H04N 9/8042

Documentation searched other than minimum documentation to the extent that such documents are included in the fields searched  
USPC: 386/248; 348/384.1; 348/460; 348/461; CPC: H04N 5/85; G11B 27/105; H04N 9/8042, G11B 27/329, G11B 2220/2562; IPC(8): H04N 9/80 (2015.01)(keyword limited, terms below)

Electronic data base consulted during the international search (name of data base and, where practicable, search terms used)  
PatBase, Google Patents, IEEE; Search Terms: bitstream, video, movie, stream, layer; brightness, luma samples element; color, chroma samples element; decoded picture buffer; syntax, code block, partition; merge, combine

**C. DOCUMENTS CONSIDERED TO BE RELEVANT**

| Category* | Citation of document, with indication, where appropriate, of the relevant passages  | Relevant to claim No. |
|-----------|---|-----------------------|
| X         | US 2013/0279577 A1 (Schwarz et al.) 24 October 2013 (24.10.2013), entire document, especially Abstract, Figure 7A, (paras [0014], [0015], [0017], [0045], [0051], [0073], [0087], [0088], [0092], [0093], [0097], [0142], [0192]) | 1 - 7                 |
| A         | US 2005/0271140 A1 (Hanamura et al.) 08 December 2005 (08.12.2005), entire document   | 1 - 7                 |
| A         | US 2013/0294513 A1 (Seregin et al.) 07 November 2013 (07.11.2013), entire document  | 1 - 7                 |
| A         | US 2013/0010863 A1 (Wu et al.) 10 January 2013 (10.01.2013), entire document  | 1 - 7                 |
| A         | US 2008/0007438 A1 (Segall et al.) 10 January 2008 (10.01.2008), entire document  | 1 - 7                 |

Further documents are listed in the continuation of Box C.

|   |  |
|---|--|
| * Special categories of cited documents:  | "T" later document published after the international filing date or priority date and not in conflict with the application but cited to understand the principle or theory underlying the invention  |
| "A" document defining the general state of the art which is not considered to be of particular relevance  | "X" document of particular relevance; the claimed invention cannot be considered novel or cannot be considered to involve an inventive step when the document is taken alone   |
| "E" earlier application or patent but published on or after the international filing date   | "Y" document of particular relevance; the claimed invention cannot be considered to involve an inventive step when the document is combined with one or more other such documents, such combination being obvious to a person skilled in the art |
| "L" document which may throw doubts on priority claim(s) or which is cited to establish the publication date of another citation or other special reason (as specified) | "&" document member of the same patent family  |
| "O" document referring to an oral disclosure, use, exhibition or other means  |  |
| "P" document published prior to the international filing date but later than the priority date claimed  |  |

|   |  |
|---|--|
| Date of the actual completion of the international search<br>26 May 2015 (26.05.2015)   | Date of mailing of the international search report<br><b>01 JUL 2015</b>                       |
| Name and mailing address of the ISA/US<br>Mail Stop PCT, Attn: ISA/US, Commissioner for Patents<br>P.O. Box 1450, Alexandria, Virginia 22313-1450<br>Facsimile No. 571-273-8300 | Authorized officer:<br>Lee W. Young<br><br>PCT Helpdesk: 571-272-4300<br>PCT OSP: 571-272-7774 |