



(51) International Patent Classification:
A61B 6/00 (2006.01)

(21) International Application Number:
PCT/US2013/053526

(22) International Filing Date:
3 August 2013 (03.08.2013)

(25) Filing Language: English

(26) Publication Language: English

(30) Priority Data:
61/679,381 3 August 2012 (03.08.2012) US
61/833,259 10 June 2013 (10.06.2013) US
13/957,888 2 August 2013 (02.08.2013) US

(71) Applicant: VISUUM, LLC [US/US]; Post Office Box 357247, Gainesville, FL 32635 (US).

(72) Inventors: ALLEN, John, R.; 10 Edith Court, Port Jefferson Station, NY 11776 (US). WHITE, Daniel, T.; 3810 Northwest 39th Avenue, Gainesville, FL 32606 (US).

(74) Agents: MAYBACK, Gregory, L. et al.; Mayback And Hoffman, P.A., 5722 South Flamingo Road, #232, Fort Lauderdale, FL 33330 (US).

(81) Designated States (unless otherwise indicated, for every kind of national protection available): AE, AG, AL, AM, AO, AT, AU, AZ, BA, BB, BG, BH, BN, BR, BW, BY,

BZ, CA, CH, CL, CN, CO, CR, CU, CZ, DE, DK, DM, DO, DZ, EC, EE, EG, ES, FI, GB, GD, GE, GH, GM, GT, HN, HR, HU, ID, IL, IN, IS, JP, KE, KG, KN, KP, KR, KZ, LA, LC, LK, LR, LS, LT, LU, LY, MA, MD, ME, MG, MK, MN, MW, MX, MY, MZ, NA, NG, NI, NO, NZ, OM, PA, PE, PG, PH, PL, PT, QA, RO, RS, RU, RW, SA, SC, SD, SE, SG, SK, SL, SM, ST, SV, SY, TH, TJ, TM, TN, TR, TT, TZ, UA, UG, US, UZ, VC, VN, ZA, ZM, ZW.

(84) Designated States (unless otherwise indicated, for every kind of regional protection available): ARIPO (BW, GH, GM, KE, LR, LS, MW, MZ, NA, RW, SD, SL, SZ, TZ, UG, ZM, ZW), Eurasian (AM, AZ, BY, KG, KZ, RU, TJ, TM), European (AL, AT, BE, BG, CH, CY, CZ, DE, DK, EE, ES, FI, FR, GB, GR, HR, HU, IE, IS, IT, LT, LU, LV, MC, MK, MT, NL, NO, PL, PT, RO, RS, SE, SI, SK, SM, TR), OAPI (BF, BJ, CF, CG, CI, CM, GA, GN, GQ, GW, KM, ML, MR, NE, SN, TD, TG).

Published:

- with international search report (Art. 21(3))
- before the expiration of the time limit for amending the claims and to be republished in the event of receipt of amendments (Rule 48.2(h))

(88) Date of publication of the international search report:
3 April 2014

(54) Title: C-ARM WITH REMOVABLE OR RETRACTABLE DETECTOR HOUSING

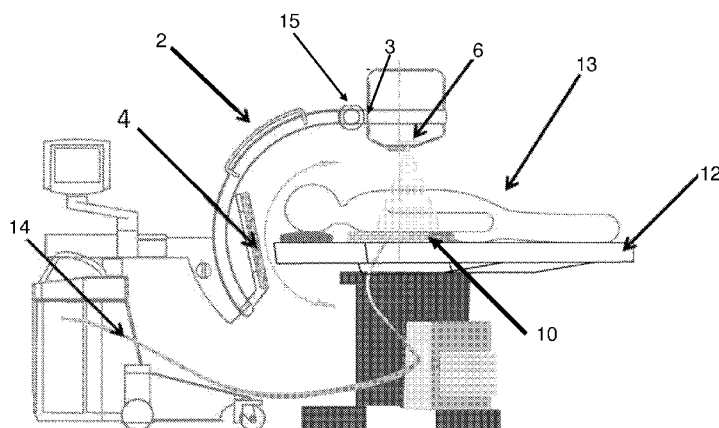


FIG. 3

(57) Abstract: An x-ray system comprises a c-arm base unit, a detector tray and a c-arm movably supported on the base to permit articulation above a patient to be examined. The c-arm has an x-ray emitter emitting x-radiation in an x-ray field, an x-ray detector detecting the x-rays and removably resting at the detector tray. An upper portion of the c-arm holds the x-ray emitter. The c-arm has a retractable lower portion with an articulating assembly removably holding the detector tray at the lower end and articulating the detector tray away from or in towards a center of the c-arm to stowed positions when attached. The c-arm slides with respect to the upper portion of the c-arm such that, when retracted, the upper portion can be placed over the patient who is resting on a surface having an obstruction therebeneath that would prevent the lower portion from accessing under the surface.



INTERNATIONAL SEARCH REPORT

International application No.

PCT/US2013/053526

A. CLASSIFICATION OF SUBJECT MATTER

IPC(8) - A61B 6/00 (2014.01)

USPC - 378/193

According to International Patent Classification (IPC) or to both national classification and IPC

B. FIELDS SEARCHED

Minimum documentation searched (classification system followed by classification symbols)

IPC(8) - A61B 6/00, 6/03; G01N 23/04 (2014.01)

USPC - 250/370.09; 378/4, 55, 62, 193, 196, 197, 198, 205

Documentation searched other than minimum documentation to the extent that such documents are included in the fields searched

CPC - A61B 6/4441 (2013.01)

Electronic data base consulted during the international search (name of data base and, where practicable, search terms used)

PatBase, Google Scholar

C. DOCUMENTS CONSIDERED TO BE RELEVANT

Category*	Citation of document, with indication, where appropriate, of the relevant passages	Relevant to claim No.
Y	US 2010/0303207 A1 (TSUJII et al) 02 December 2010 (02.12.2010) entire document	1-20
Y	US 4,716,581 A (BARUD) 29 December 1987 (29.12.1987) entire document	1-20
Y	US 2010/0002924 A1 (PARK et al) 07 January 2010 (07.01.2010) entire document	1-20
Y	US 4,138,721 A (BOYD) 06 February 1979 (06.02.1979) entire document	3, 4, 8, 11
Y	US 6,318,892 B1 (SUZUKI et al) 20 November 2001 (20.11.2001) entire document	4, 6, 10, 11, 19
Y	US 2009/0010394 A1 (WATANABE) 08 January 2009 (08.01.2009) entire document	7, 9-11
Y	EP 0 898 937 A1 (ROMEAS et al) 03 March 1999 (03.03.1999) entire document	12-14

Further documents are listed in the continuation of Box C.

* Special categories of cited documents:	"T" later document published after the international filing date or priority date and not in conflict with the application but cited to understand the principle or theory underlying the invention
"A" document defining the general state of the art which is not considered to be of particular relevance	"X" document of particular relevance; the claimed invention cannot be considered novel or cannot be considered to involve an inventive step when the document is taken alone
"E" earlier application or patent but published on or after the international filing date	"Y" document of particular relevance; the claimed invention cannot be considered to involve an inventive step when the document is combined with one or more other such documents, such combination being obvious to a person skilled in the art
"L" document which may throw doubts on priority claim(s) or which is cited to establish the publication date of another citation or other special reason (as specified)	"&" document member of the same patent family
"O" document referring to an oral disclosure, use, exhibition or other means	
"P" document published prior to the international filing date but later than the priority date claimed	

Date of the actual completion of the international search 13 January 2014	Date of mailing of the international search report 29 JAN 2014
Name and mailing address of the ISA/US Mail Stop PCT, Attn: ISA/US, Commissioner for Patents P.O. Box 1450, Alexandria, Virginia 22313-1450 Facsimile No. 571-273-3201	Authorized officer: Blaine R. Copenheaver PCT Helpdesk: 571-272-4300 PCT OSP: 571-272-7774