



US00D736280S

(12) **United States Design Patent**
Myrhum, Jr. et al.

(10) **Patent No.:** **US D736,280 S**

(45) **Date of Patent:** **** Aug. 11, 2015**

(54) **DIE**

(75) Inventors: **James O. Myrhum, Jr.**, West Bend, WI (US); **Joseph H. Ellice**, Greenfield, WI (US)

(73) Assignee: **Milwaukee Electric Tool Corporation**, Brookfield, WI (US)

(**) Term: **14 Years**

(21) Appl. No.: **29/418,017**

(22) Filed: **Apr. 11, 2012**

(51) **LOC (10) Cl.** **15-09**

(52) **U.S. Cl.**
USPC **D15/136**

(58) **Field of Classification Search**
USPC D15/128, 136; 30/360, 362, 366; 83/23, 83/24, 98, 100, 143, 683, 685, 686
See application file for complete search history.

(56) **References Cited**

U.S. PATENT DOCUMENTS

1,721,007 A	7/1929	Doherty et al.
1,754,568 A	4/1930	Nischan
1,817,223 A	8/1931	Abramson et al.
2,096,778 A	10/1937	Azer
2,145,725 A	1/1939	Jamieson
2,176,943 A	10/1939	Reeser
2,221,904 A	11/1940	Abramson et al.
2,237,069 A	4/1941	Christenson
2,735,489 A	2/1956	Fowler
3,269,011 A	8/1966	Herrstrum
3,273,241 A	9/1966	Annes
3,494,033 A	2/1970	Bosco et al.
3,564,716 A	2/1971	Burrows
3,594,904 A	7/1971	Wright
3,683,499 A	8/1972	Robinson, Jr.
4,074,432 A	2/1978	Alfieri
4,087,913 A	5/1978	Jackson

4,144,785 A *	3/1979	von Langendorff	83/685
4,403,417 A	9/1983	Wilson et al.	
4,481,700 A	11/1984	Redmon	
4,495,699 A	1/1985	Oakes	
4,594,779 A	6/1986	Hagemeyer	
D285,798 S *	9/1986	Brunnegard et al.	D15/143
4,724,616 A	2/1988	Adleman et al.	
4,830,548 A	5/1989	Kandarian	
4,899,447 A	2/1990	Adleman	
6,033,609 A *	3/2000	Wright et al.	264/169
D548,250 S *	8/2007	Baumeister et al.	D15/199

(Continued)

FOREIGN PATENT DOCUMENTS

DE	3341861 A1	5/1985
DE	9100020 U1	4/1991

(Continued)

OTHER PUBLICATIONS

Holemaking Product Guide, Greenlee, available at least as early as Mar. 2011, pp. 41-56, 69-71, 88-93, and 95-97.

(Continued)

Primary Examiner — Patricia Palasik

(74) *Attorney, Agent, or Firm* — Michael Best & Friedrich LLP

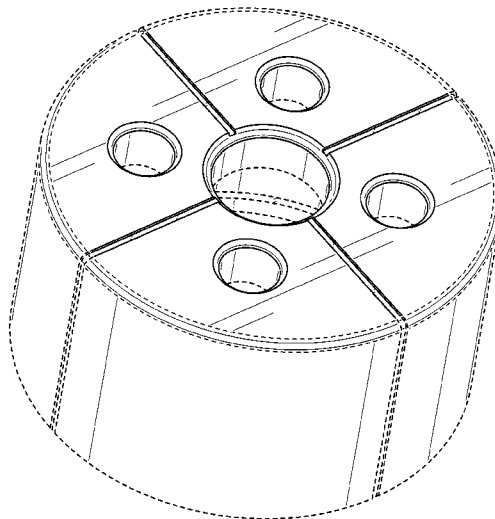
(57) **CLAIM**

We claim the ornamental design for a die, as shown.

DESCRIPTION

FIG. 1 is a perspective view of a die.
FIG. 2 is a side view of the die shown in FIG. 1; and
FIG. 3 is a top view of the die shown in FIG. 1.
The portions of the die shown in broken lines are included for the purpose of illustrating environment and form no part of the claimed design.

1 Claim, 3 Drawing Sheets



(56)

References Cited

FOREIGN PATENT DOCUMENTS

U.S. PATENT DOCUMENTS

D568,347 S * 5/2008 Manera et al. D15/136
D592,685 S * 5/2009 Ferry D15/128
7,587,830 B2 9/2009 Nordlin
7,650,824 B2 1/2010 Ray
7,661,913 B2 2/2010 Nordlin
D675,237 S * 1/2013 Broadbent et al. D15/136
8,413,561 B2 * 4/2013 Thielges et al. 83/146
2005/0217343 A1 * 10/2005 Tomita 72/325
2009/0288531 A1 11/2009 Steimer
2010/0180744 A1 7/2010 Nordlin

DE 9104064 U1 10/1991
DE 9315393 U1 11/1994
EP 1733819 B1 3/2008

OTHER PUBLICATIONS

Tools Testers, and Accessories, Greenlee, Nov. 1993.
Timesaving Tools for Electricians, Maintenance, Greenlee, Aug. 1980.

* cited by examiner

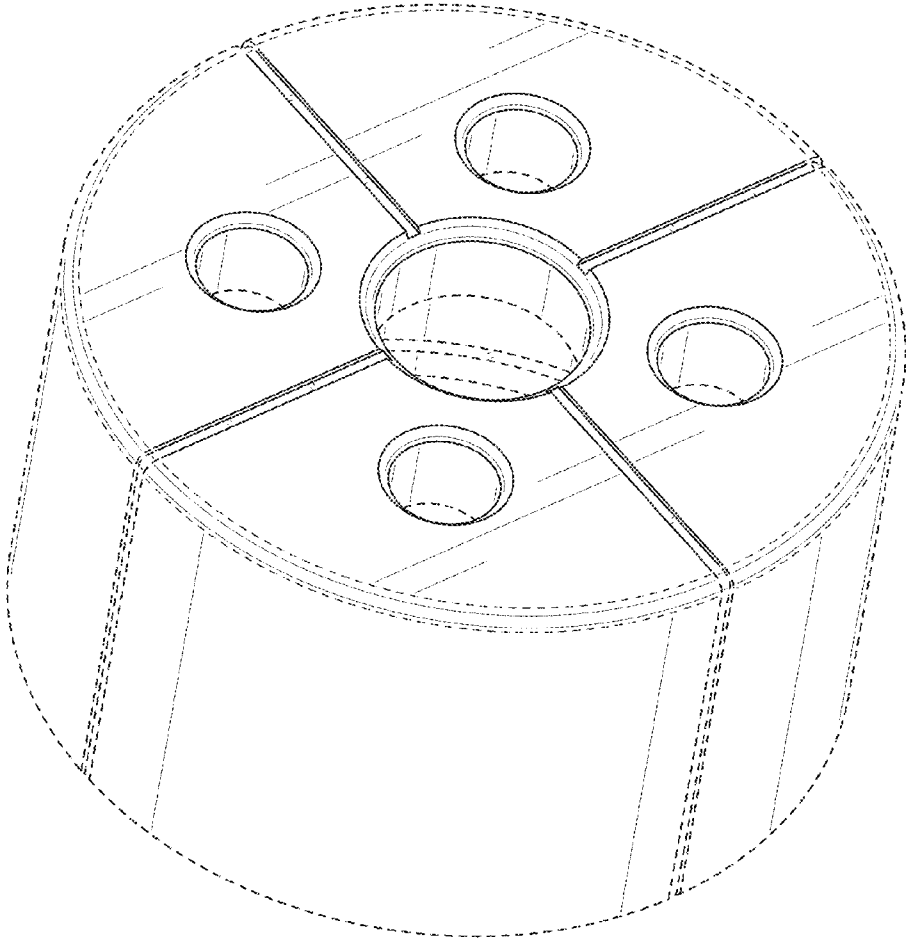


FIG. 1

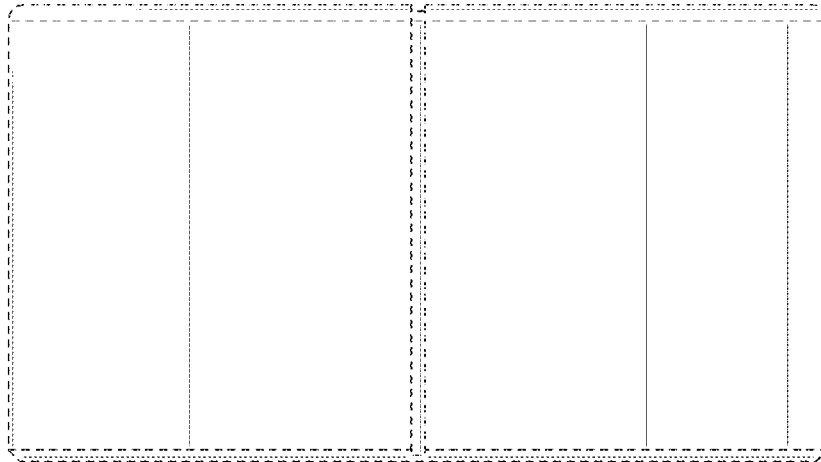


FIG. 2

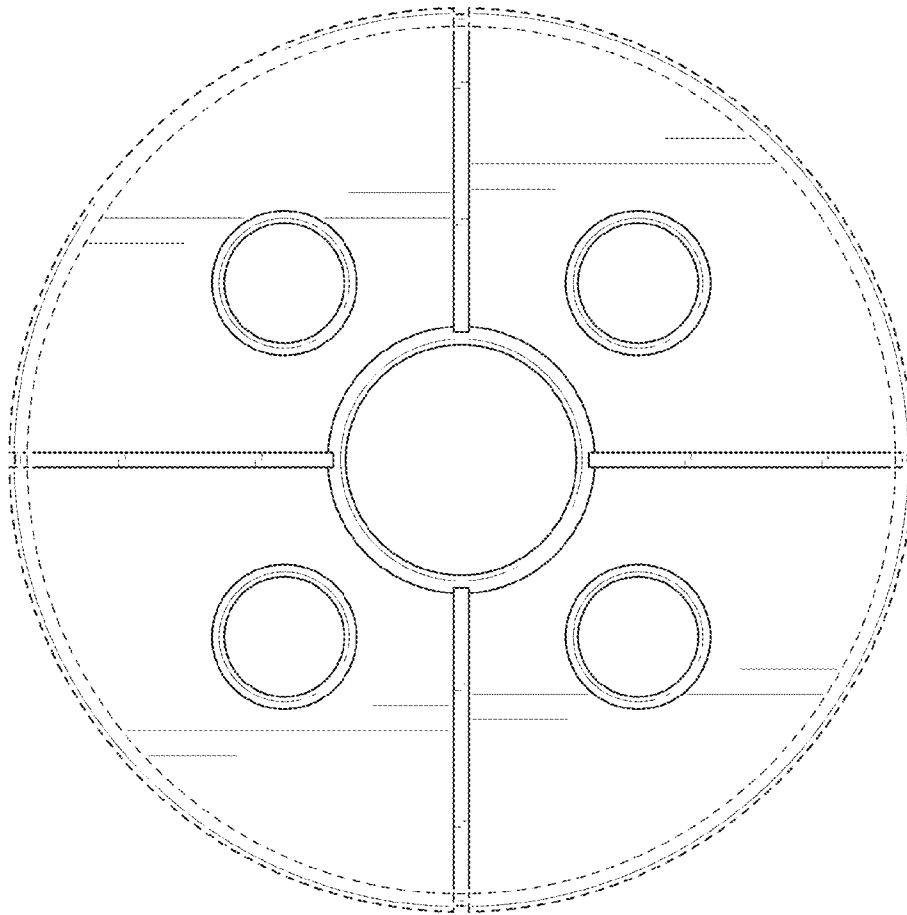


FIG. 3