



US0D1016409S

(12) **United States Design Patent**
Sun

(10) **Patent No.:** **US D1,016,409 S**

(45) **Date of Patent:** **** Feb. 27, 2024**

(54) **PET FURNITURE**

(71) Applicant: **Catry International Group, Inc.**,
Ontario, CA (US)

(72) Inventor: **Yong Sun**, Ontario, CA (US)

(73) Assignee: **Catry International Group, Inc.**,
Ontario, CA (US)

(**) Term: **15 Years**

(21) Appl. No.: **29/817,682**

(22) Filed: **Dec. 2, 2021**

(51) **LOC (14) Cl.** **30-06**

(52) **U.S. Cl.**
USPC **D30/160; D30/117**

(58) **Field of Classification Search**
USPC D30/108, 112, 117, 118, 158, 160, 161,
D30/199

CPC ... A01K 15/024; A01K 15/025; A01K 15/027
See application file for complete search history.

2023 [online]. URL: <https://www.amazon.com/PETEPELA-Scratching-Flamingos-Interactive-Replacement/dp/B09SYV7RQW?th=1> (Year: 2022).*

Catry Cat Tree with Scratching Post—Animal Cat Tower—Cat Climber with Jute Cat Scratch Post—Cat Condo; posted Jan. 14, 2022, retrieved Sep. 8, 2023 [online]. URL: <https://www.amazon.com/Catry-Cat-Tree-Scratching-Post/dp/B09QHKZTDN?th=1> (Year: 2022).*

Catry Flamingo; posting date unavailable, retrieved Sep. 8, 2023 [online]. URL: <https://www.catrygroup.com/products/catry-cat-tree-with-scratching-post-a-cartoon-flamingo-post-30-tall-model-ct210540> (Year: 2023).*

* cited by examiner

Primary Examiner — Sheryl Lane

Assistant Examiner — Emily A Caven

(74) *Attorney, Agent, or Firm* — Heidi Eisenhut; LOZA & LOZA, LLP

(57) **CLAIM**

The ornamental design for pet furniture, as shown and described.

DESCRIPTION

FIG. 1 is a front, right, top perspective view of pet furniture showing my new design;
FIG. 2 is a front, right, bottom perspective view thereof;
FIG. 3 is a front elevation view thereof;
FIG. 4 is a rear elevation view thereof;
FIG. 5 is a left side elevation view thereof;
FIG. 6 is right side elevation view thereof;
FIG. 7 is a top plan view thereof; and,
FIG. 8 is a bottom plan view thereof.
The broken lines show features of the pet furniture that form no part of the claimed design.

(56) **References Cited**

U.S. PATENT DOCUMENTS

D220,843	S	*	6/1971	Cook	D30/108
D224,686	S	*	8/1972	Michlap	D30/117
D455,674	S	*	4/2002	Ancona	D11/162
D648,079	S	*	11/2011	Haaf	D30/160
D695,466	S	*	12/2013	Michaelis	D30/118
D759,182	S	*	6/2016	Wampold	D21/808
D877,272	S	*	3/2020	He	D21/808

OTHER PUBLICATIONS

Petepela Cat Scratching Post, Flamingos Natural Sisal Cat Scratcher with Interactive Toy Ball; posted Feb. 21, 2022, retrieved Sep. 8,

1 Claim, 8 Drawing Sheets

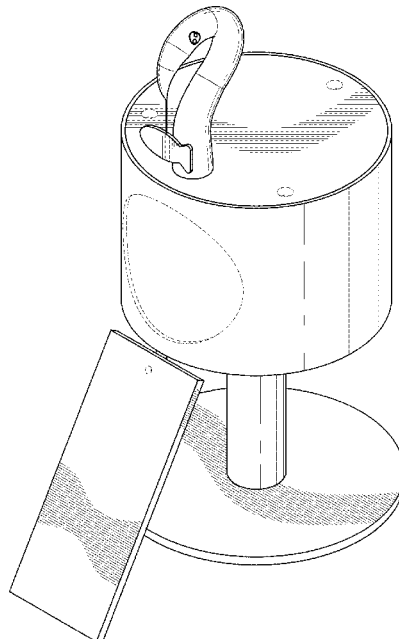
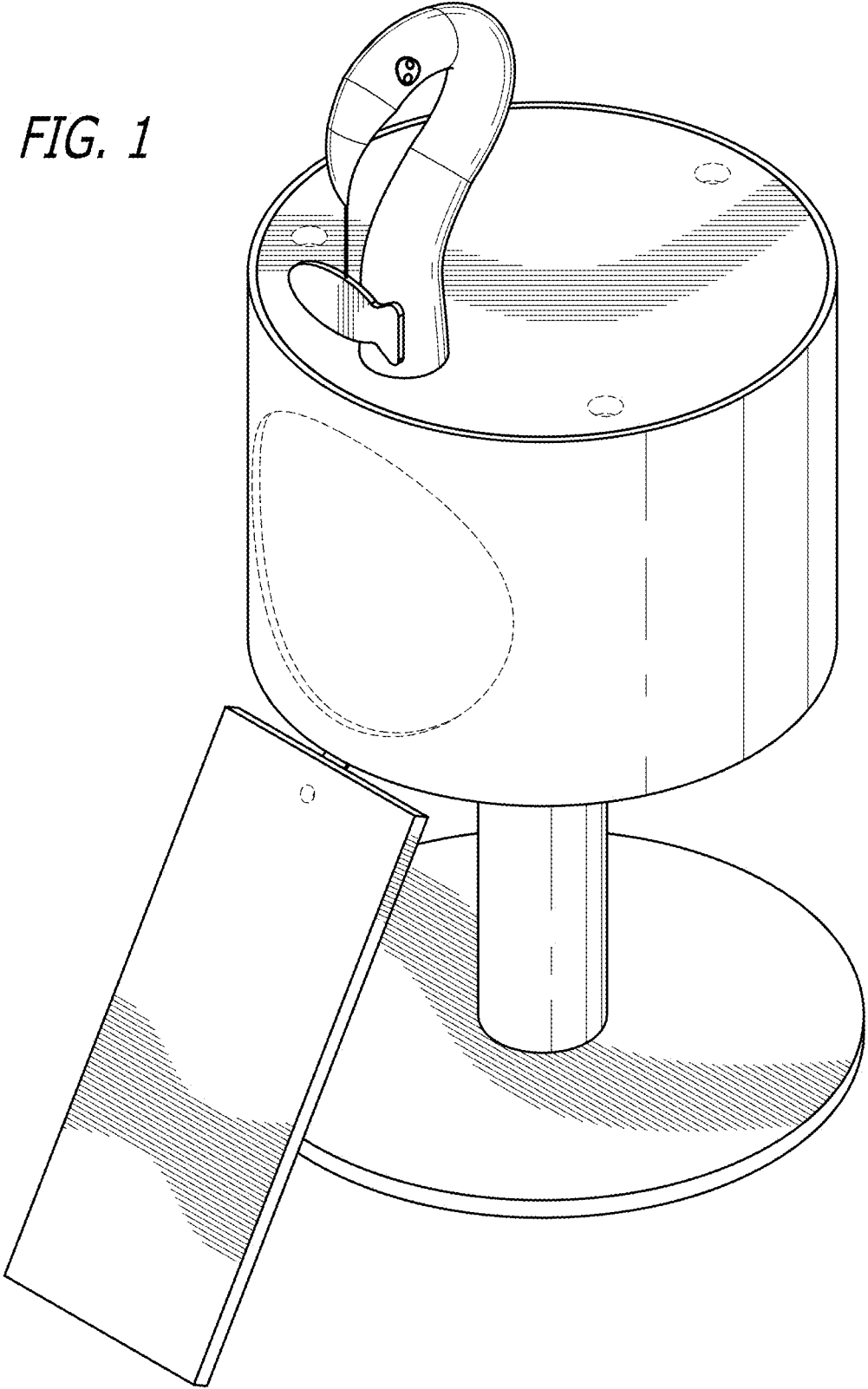


FIG. 1



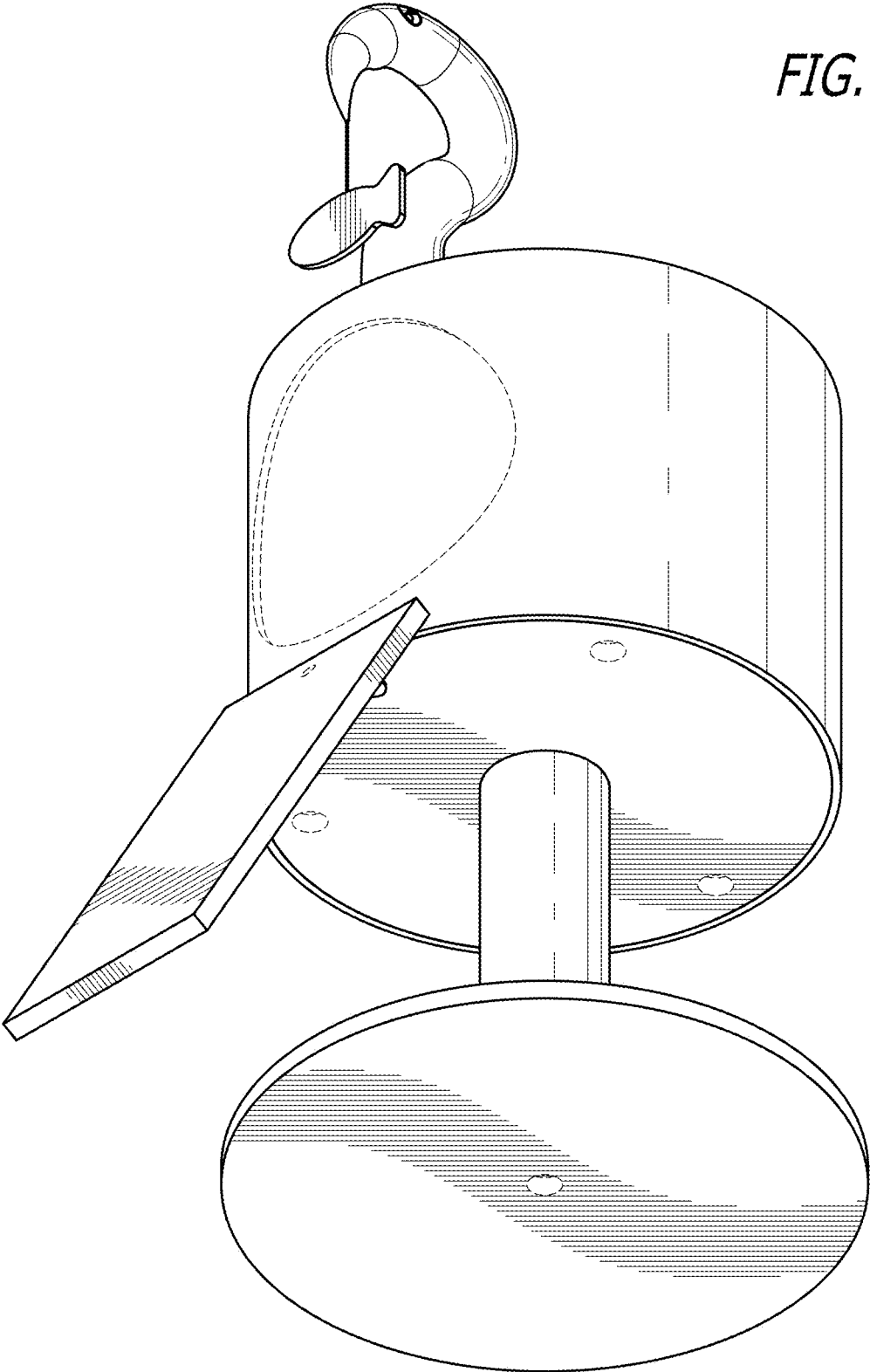


FIG. 2

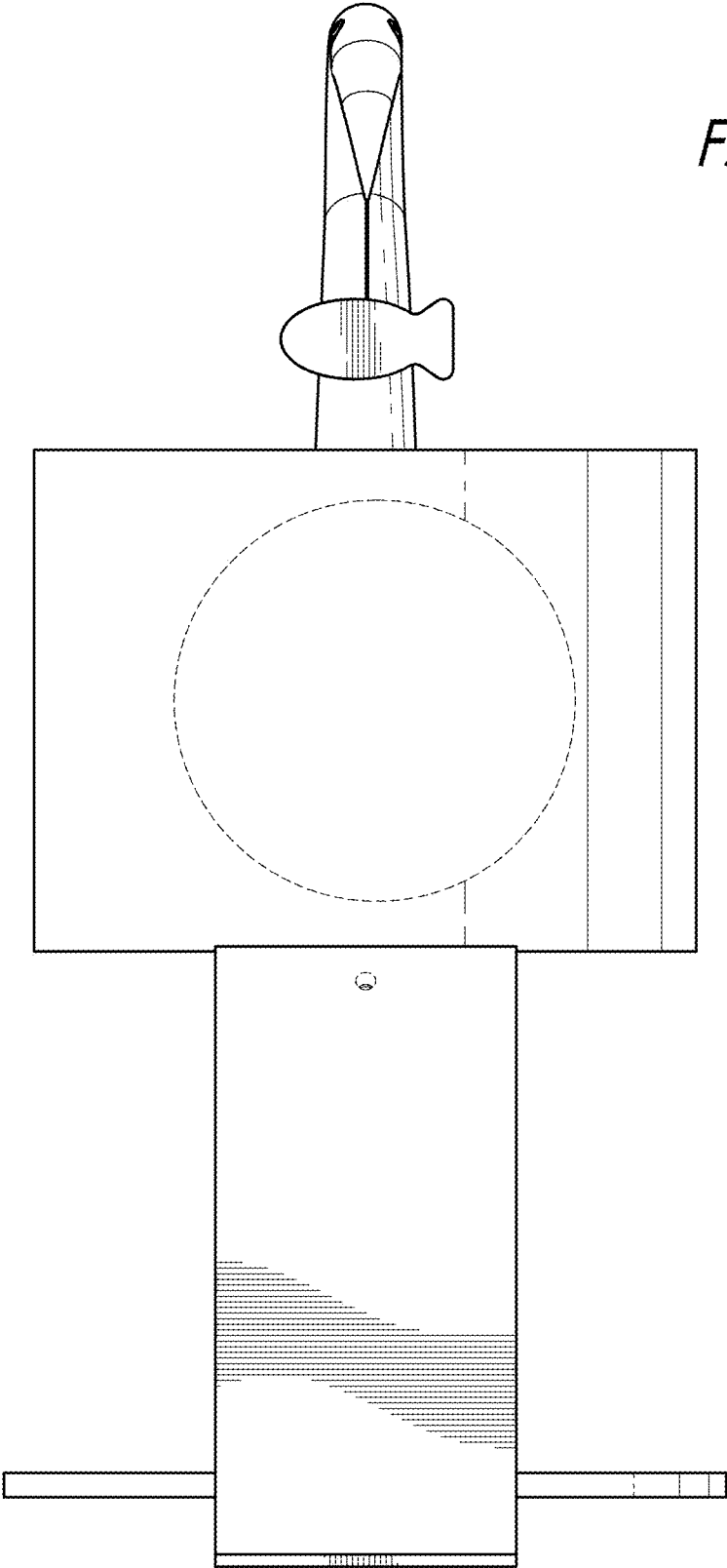


FIG. 3

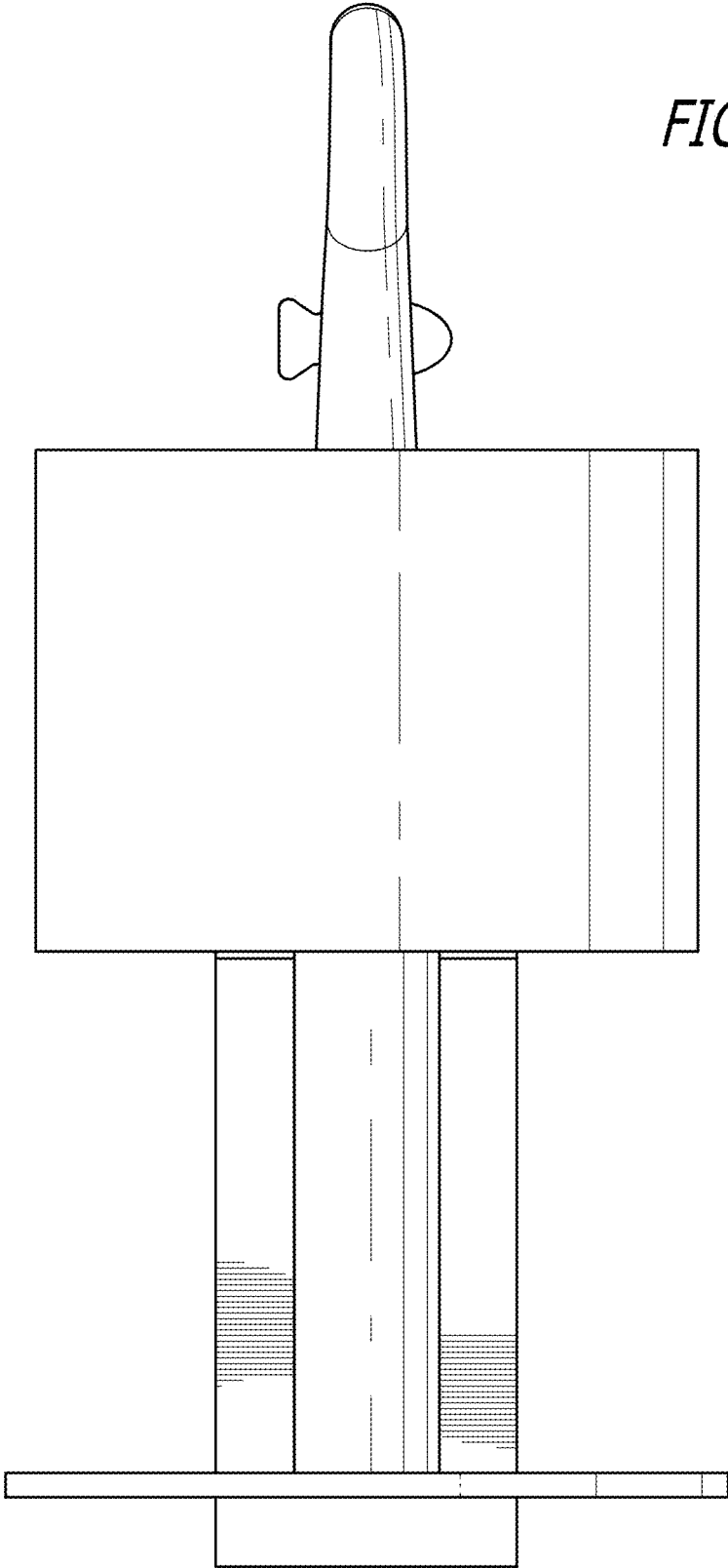


FIG. 4

FIG. 5

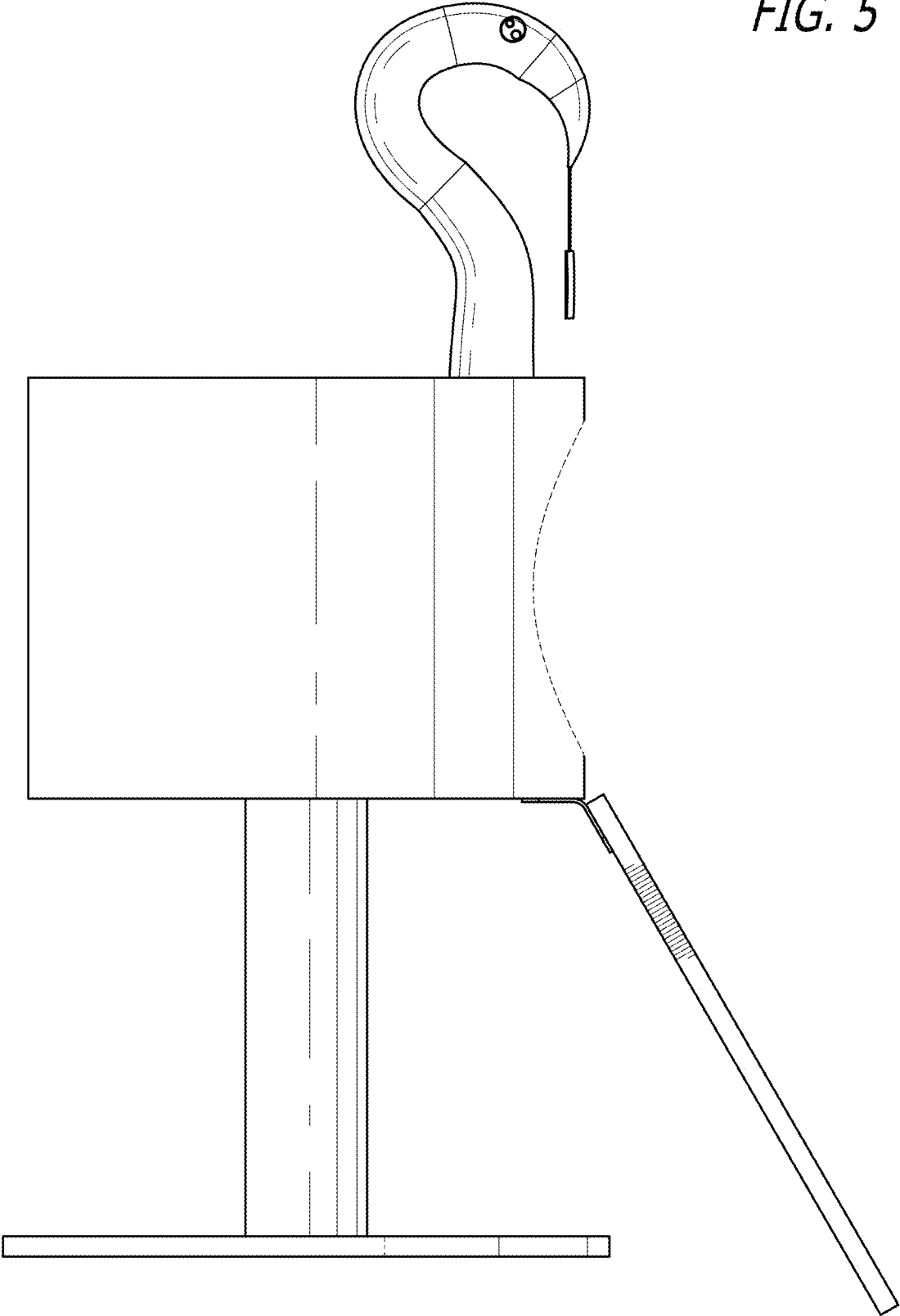


FIG. 6

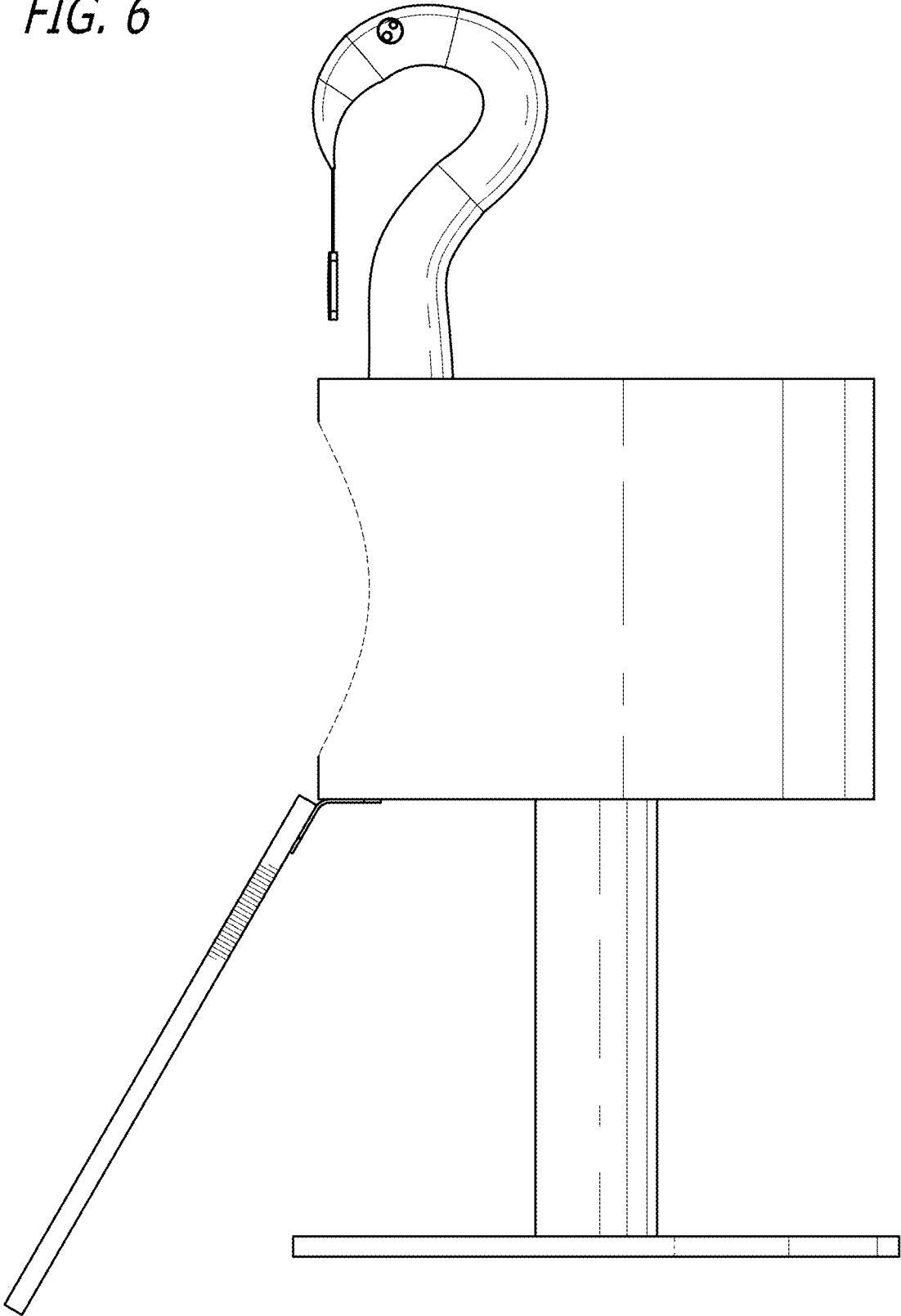


FIG. 7

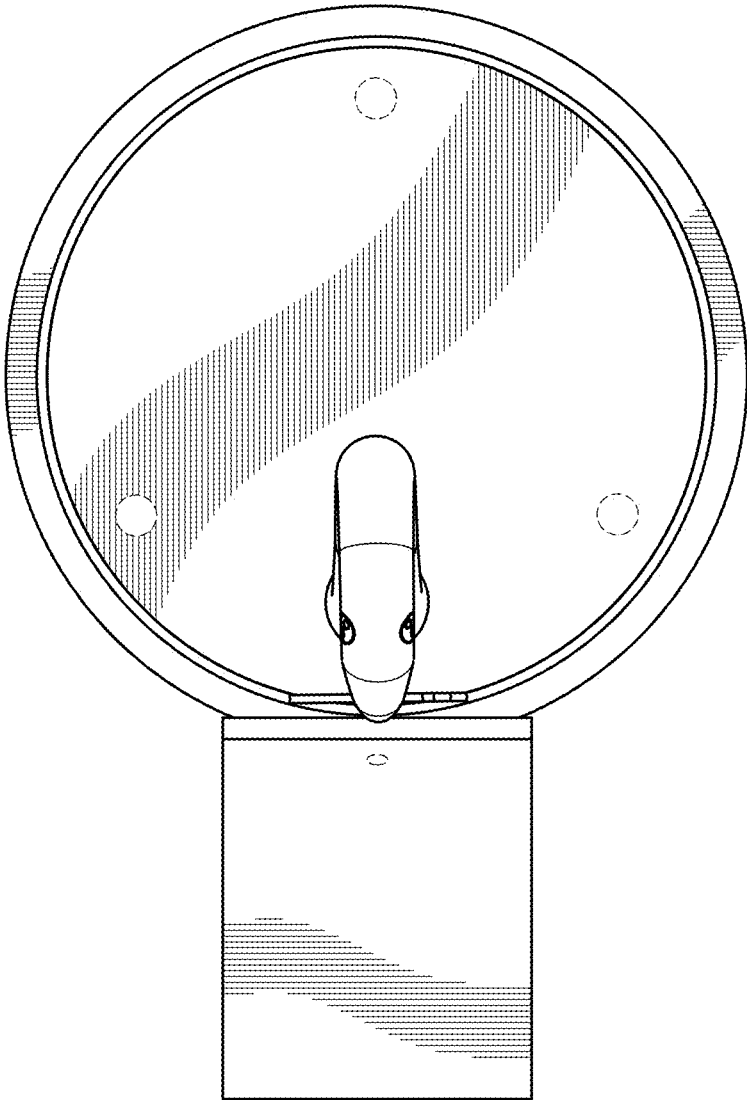


FIG. 8

