



(51) International Patent Classification:

A46D 1/00 (2006.01) A46B 13/02 (2006.01)
A01K 61/00 (2006.01) A46B 13/00 (2006.01)
A01K 75/00 (2006.01) B08B 1/00 (2006.01)

(21) International Application Number:

PCT/US2013/026777

(22) International Filing Date:

20 February 2013 (20.02.2013)

(25) Filing Language:

English

(26) Publication Language:

English

(30) Priority Data:

13/404,869 24 February 2012 (24.02.2012) US

(72) Inventor; and

(71) Applicant : LINDGREN, Peter, B. [US/US]; 2615 N.E. 5th Avenue, Pompano Beach, FL 33064 (US).

(74) Agent: SLAVIN, Michael, A.; McHale & Slavin, P.A., 2855 PGA Boulevard, Palm Beach Gardens, FL 33410 (US).

(81) Designated States (unless otherwise indicated, for every kind of national protection available): AE, AG, AL, AM, AO, AT, AU, AZ, BA, BB, BG, BH, BN, BR, BW, BY,

BZ, CA, CH, CL, CN, CO, CR, CU, CZ, DE, DK, DM, DO, DZ, EC, EE, EG, ES, FI, GB, GD, GE, GH, GM, GT, HN, HR, HU, ID, IL, IN, IS, JP, KE, KG, KM, KN, KP, KR, KZ, LA, LC, LK, LR, LS, LT, LU, LY, MA, MD, ME, MG, MK, MN, MW, MX, MY, MZ, NA, NG, NI, NO, NZ, OM, PA, PE, PG, PH, PL, PT, QA, RO, RS, RU, RW, SC, SD, SE, SG, SK, SL, SM, ST, SV, SY, TH, TJ, TM, TN, TR, TT, TZ, UA, UG, US, UZ, VC, VN, ZA, ZM, ZW.

(84) Designated States (unless otherwise indicated, for every kind of regional protection available): ARIPO (BW, GH, GM, KE, LR, LS, MW, MZ, NA, RW, SD, SL, SZ, TZ, UG, ZM, ZW), Eurasian (AM, AZ, BY, KG, KZ, RU, TJ, TM), European (AL, AT, BE, BG, CH, CY, CZ, DE, DK, EE, ES, FI, FR, GB, GR, HR, HU, IE, IS, IT, LT, LU, LV, MC, MK, MT, NL, NO, PL, PT, RO, RS, SE, SI, SK, SM, TR), OAPI (BF, BJ, CF, CG, CI, CM, GA, GN, GQ, GW, ML, MR, NE, SN, TD, TG).

Published:

- with international search report (Art. 21(3))
- before the expiration of the time limit for amending the claims and to be republished in the event of receipt of amendments (Rule 48.2(h))

[Continued on next page]

(54) Title: AQUACULTURE CAGE SCREEN AND CLEANING APPARATUS

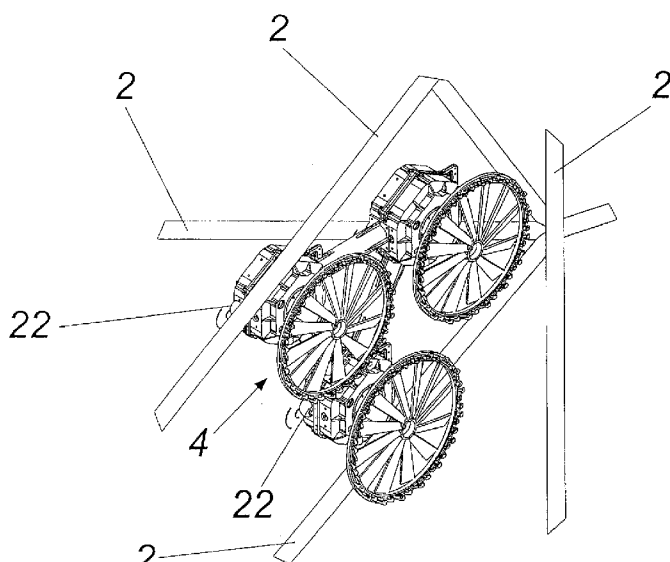


Fig 2

(57) Abstract: The device includes a screen cleaning brush with multiple fibers or cleaning fingers made from a flexible material with a hook and barb shape. The hook is designed to trap the screen strand as it passes and rotates on a flexible arm to clean the adjacent and opposite side of the strand and then flexes to release the strand. The instant invention has a unique propulsion system and navigation system that enables automatic navigation of the cleaning apparatus on the screen of the aquaculture cage. Alternative the screen cleaning can be performed with a frame having fins to assist in the directional placement of the cleaning fingers against a submersed screen.



(88) Date of publication of the international search report:
6 February 2014

INTERNATIONAL SEARCH REPORT

International application No PCT/US2013/026777

A. CLASSIFICATION OF SUBJECT MATTER		
INV. A46D1/00	A01K61/00	A01K75/00
B08B1/00	A46B13/02	A46B13/00
ADD.		
According to International Patent Classification (IPC) or to both national classification and IPC		
B. FIELDS SEARCHED		
Minimum documentation searched (classification system followed by classification symbols) A46D A01K B08B A46B		
Documentation searched other than minimum documentation to the extent that such documents are included in the fields searched		
Electronic data base consulted during the international search (name of data base and, where practicable, search terms used) EPO-Internal, WPI Data		
C. DOCUMENTS CONSIDERED TO BE RELEVANT		
Category*	Citation of document, with indication, where appropriate, of the relevant passages	Relevant to claim No.
X	JP S56 62188 U (YOSHIJI SUZUKI) 26 May 1981 (1981-05-26) figures 1,2 -----	1-32
A	JP H08 228641 A (KOBE MECHATRONICS) 10 September 1996 (1996-09-10) abstract; figures -----	1
X,P	W0 2012/142364 A2 (LINDGREN) 18 October 2012 (2012-10-18) page 4, paragraph 1 page 7, last paragraph - page 8, last paragraph page 13, paragraph 3 - page 15, paragraph 1 claims 1,2,4-6,9-12,14,15,17-19 figures -----	1-5, 9-19,27, 30-32
<input type="checkbox"/> Further documents are listed in the continuation of Box C. <input checked="" type="checkbox"/> See patent family annex.		
* Special categories of cited documents :		
"A" document defining the general state of the art which is not considered to be of particular relevance	"T" later document published after the international filing date or priority date and not in conflict with the application but cited to understand the principle or theory underlying the invention	
"E" earlier application or patent but published on or after the international filing date	"X" document of particular relevance; the claimed invention cannot be considered novel or cannot be considered to involve an inventive step when the document is taken alone	
"L" document which may throw doubts on priority claim(s) or which is cited to establish the publication date of another citation or other special reason (as specified)	"Y" document of particular relevance; the claimed invention cannot be considered to involve an inventive step when the document is combined with one or more other such documents, such combination being obvious to a person skilled in the art	
"O" document referring to an oral disclosure, use, exhibition or other means	"&" document member of the same patent family	
"P" document published prior to the international filing date but later than the priority date claimed		
Date of the actual completion of the international search	Date of mailing of the international search report	
10 December 2013	18/12/2013	
Name and mailing address of the ISA/ European Patent Office, P.B. 5818 Patentlaan 2 NL - 2280 HV Rijswijk Tel. (+31-70) 340-2040, Fax: (+31-70) 340-3016	Authorized officer Raybould, Bruce	

INTERNATIONAL SEARCH REPORT

Information on patent family members

International application No
PCT/US2013/026777

Patent document cited in search report	Publication date	Patent family member(s)	Publication date
JP S5662188	U	26-05-1981	NONE

JP H08228641	A	10-09-1996	NONE

WO 2012142364	A2	18-10-2012	AU 2012242728 A1 31-10-2013
			CA 2831970 A1 18-10-2012
			US 2012260861 A1 18-10-2012
			WO 2012142364 A2 18-10-2012
