



US00D757927S

(12) **United States Design Patent**
Lubke et al.

(10) **Patent No.:** **US D757,927 S**

(45) **Date of Patent:** **** May 31, 2016**

(54) **FRAME FOR PATIENT INTERFACE**
(71) Applicant: **ResMed Limited**, Bella Vista, New South Wales (AU)

3,670,726 A 6/1972 Mahon et al.
3,739,774 A 6/1973 Gregory
3,754,552 A 8/1973 King
(Continued)

(72) Inventors: **Steven John Lubke**, Sydney (AU);
Rupert Christian Scheiner, Sydney (AU); **James William Charles Vandyke**, Sydney (AU); **Christopher Scott Skipper**, Sydney (AU)

FOREIGN PATENT DOCUMENTS

DE 146688 2/1981
DE 37 19 009 12/1988
(Continued)

(73) Assignee: **ResMed Limited**, Bella Vista (AU)

(**) Term: **14 Years**

(21) Appl. No.: **29/483,178**

(22) Filed: **Feb. 26, 2014**

OTHER PUBLICATIONS

Parent; U.S. Appl. No. 29/418,360, filed Apr. 16, 2012, Lubke et al. Respironics Co.—Mask Family—<http://masksfamily.respironics.com/> viewed on Jul. 24, 2006.
ResMed Co.—Mask Products—<http://resmed.com/portal/site/ResMedUS/index.jsp?..> viewed on Jul. 24, 2006.

(Continued)

Related U.S. Application Data

(60) Continuation of application No. 29/418,360, filed on Apr. 16, 2012, now Pat. No. Des. 703,312, which is a division of application No. 29/347,672, filed on Apr. 6, 2010, now Pat. No. Des. 659,237, which is a continuation of application No. 29/258,792, filed on Apr. 28, 2006, now Pat. No. Des. 623,288.

Primary Examiner — Wan Laymon

(74) *Attorney, Agent, or Firm* — Nixon & Vanderhye, P.C.

(51) **LOC (10) Cl.** **29-02**
(52) **U.S. Cl.**

USPC **D24/110.1**

(58) **Field of Classification Search**

USPC D24/110.1–110.5; 128/207.18, 207.13, 128/207.11, 206.21, 206.11–206.12, 128/205.25, 204.18, 204.23, 200.24, 206.24
CPC A61M 16/06; A61M 16/0666; A61M 16/0683; A61M 16/0622; A61M 16/0616
See application file for complete search history.

CLAIM

(57) The ornamental design for a frame for patient interface, as shown and described.

DESCRIPTION

FIG. 1 is a front perspective view of a frame for patient interface according to our new design; FIG. 2 is a reverse perspective view thereof; FIG. 3 is a front view thereof; FIG. 4 is a rear view thereof; FIG. 5 is a top view thereof; FIG. 6 is a bottom view thereof; FIG. 7 is a left side view thereof; and, FIG. 8 is a right side view thereof.

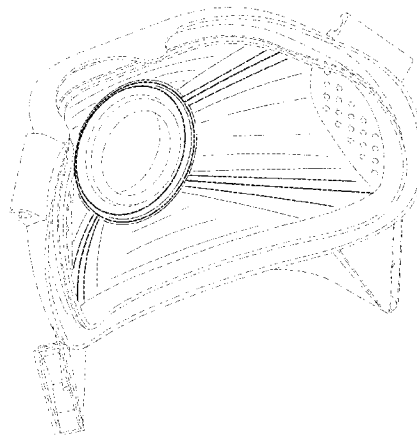
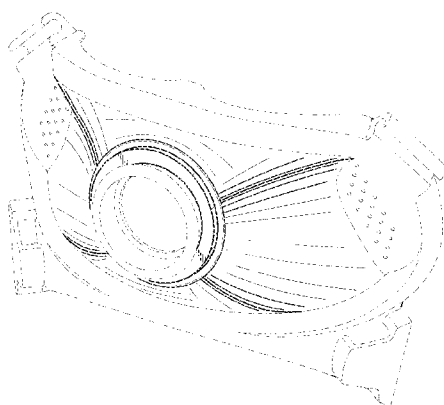
The broken lines immediately adjacent to the shaded areas of the drawings illustrate the boundaries of the claim and do not form part of the claimed design. Other broken lines in the drawings are included for the purpose of illustrating environmental elements only and form no part of the claimed design.

(56) **References Cited**

U.S. PATENT DOCUMENTS

443,191 A 12/1890 Illing
1,125,542 A 1/1915 Humphries

1 Claim, 4 Drawing Sheets



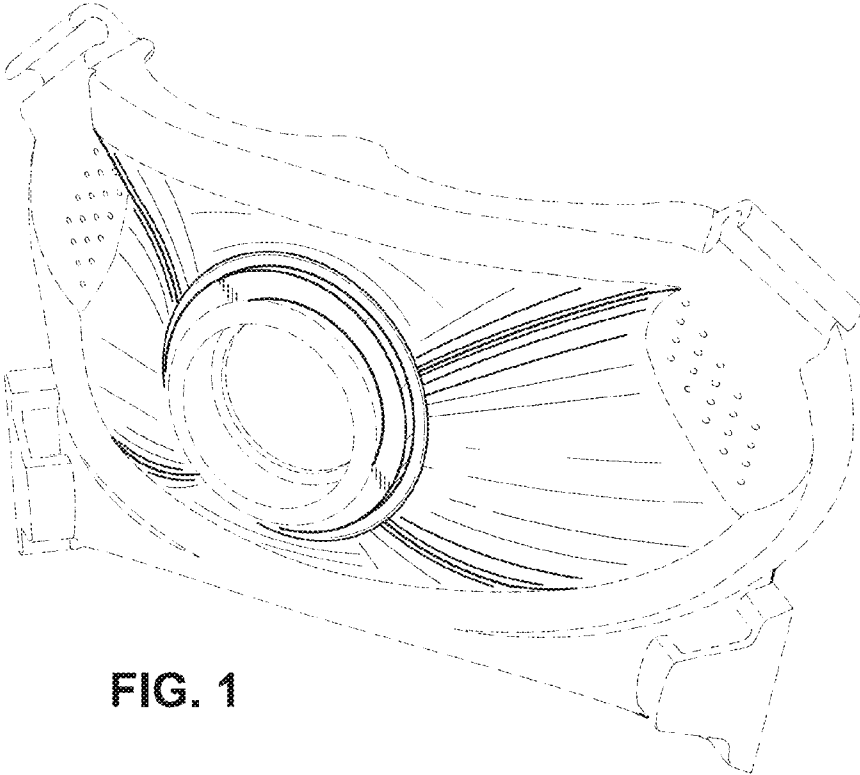


FIG. 1

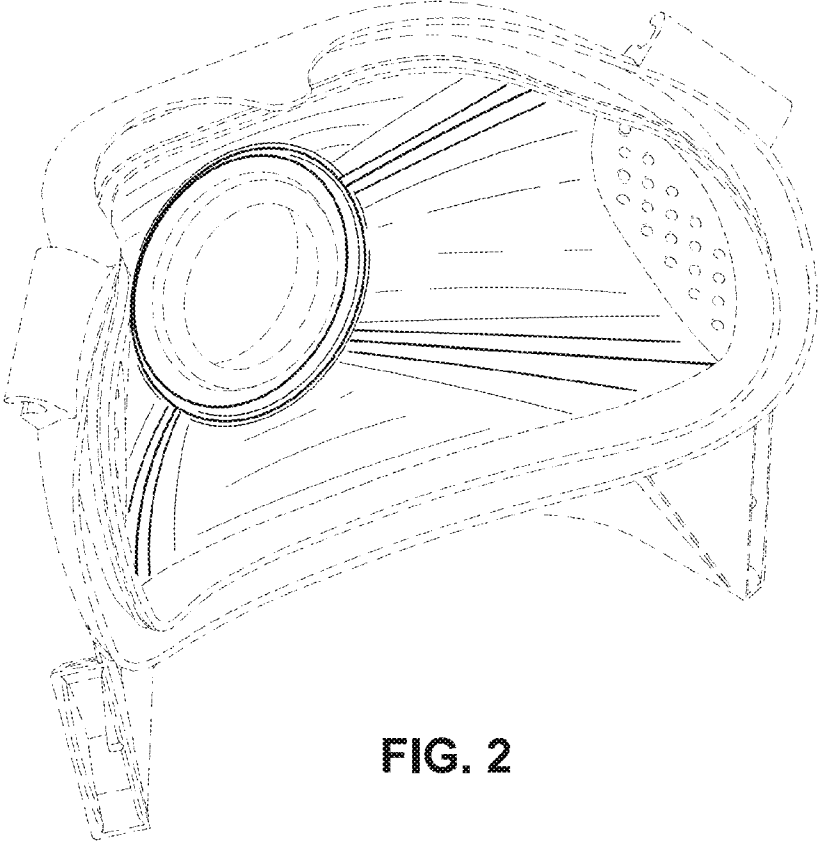


FIG. 2

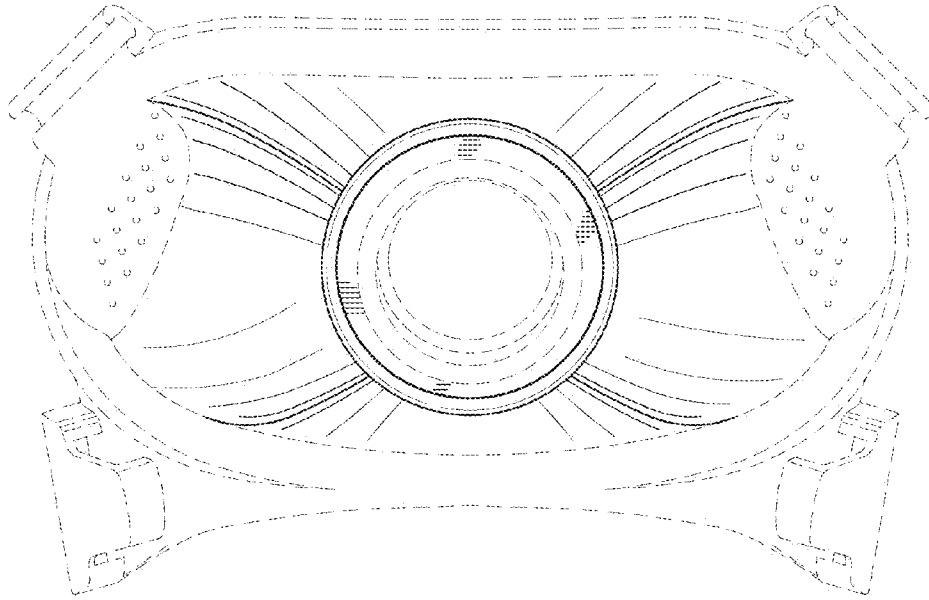


FIG. 3

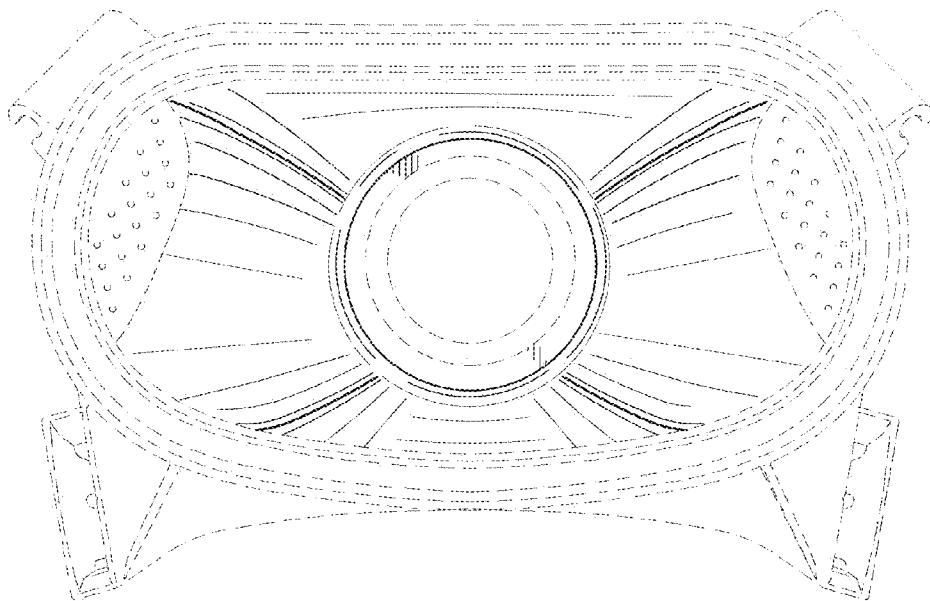


FIG. 4

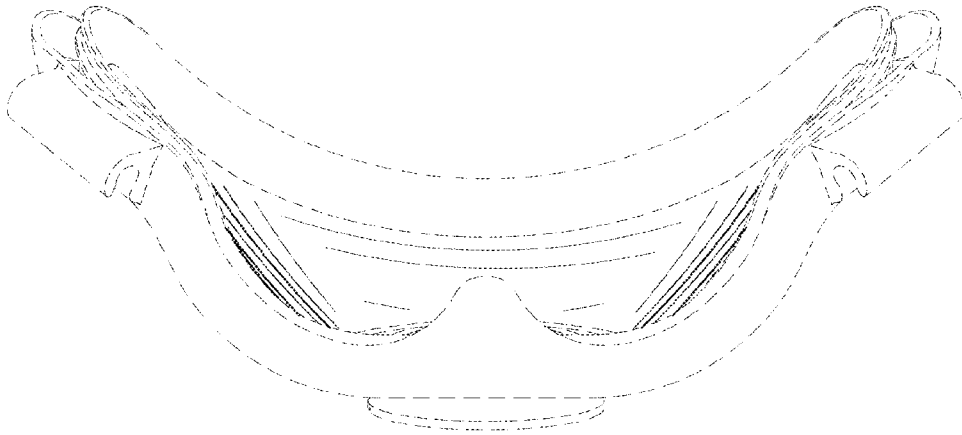


FIG. 5

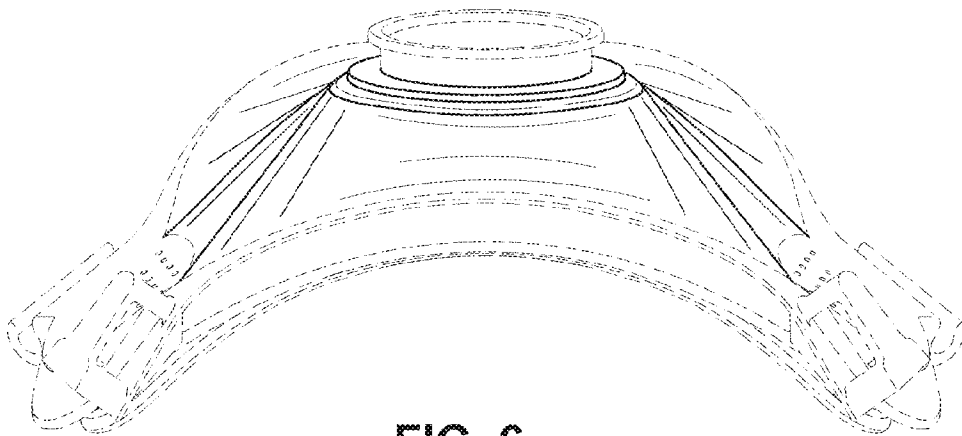


FIG. 6

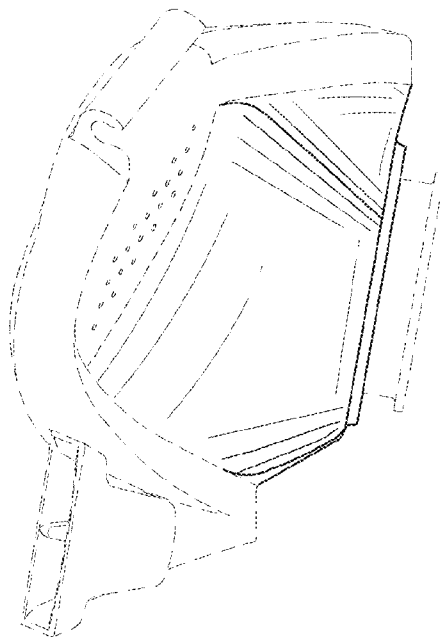


FIG. 7

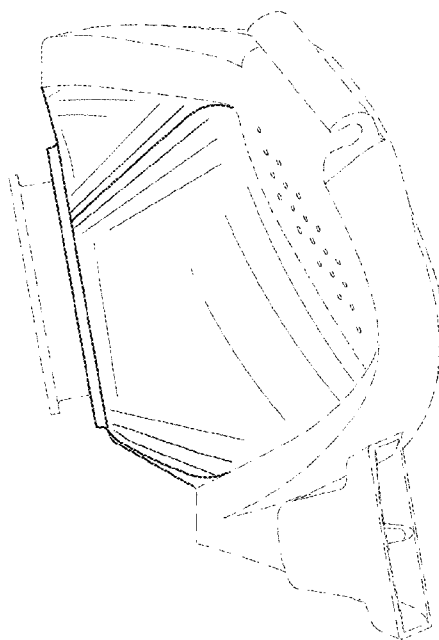


FIG. 8