



(12) **United States Design Patent**
Liu et al.

(10) **Patent No.:** **US D1,062,995 S**
(45) **Date of Patent:** **** Feb. 18, 2025**

(54) **BIDET SPRAYER**
(71) Applicant: **Xiamen Onefami Technology Co., Ltd**, Xiamen (CN)
(72) Inventors: **Jianfang Liu**, Fujian (CN); **Bin Chen**, Fujian (CN)
(**) Term: **15 Years**

10,449,558 B2 * 10/2019 Thurgood B05B 1/1636
D875,210 S * 2/2020 Thurgood D23/223
D909,533 S * 2/2021 Zhang D23/213
D939,049 S * 12/2021 Jiang D23/226
D939,665 S * 12/2021 Jiang D23/226
2007/0061956 A1 * 3/2007 Yu E03D 9/085
4/443
2014/0096316 A1 * 4/2014 Wu E03D 9/085
4/443

(21) Appl. No.: **35/519,709**
(22) Filed: **Dec. 9, 2023**

(80) **Hague Agreement Data**
Int. Filing Date: **Dec. 9, 2023**
Int. Reg. No.: **DM/234420**
Int. Reg. Date: **Dec. 9, 2023**
Int. Reg. Pub. Date: **Jan. 19, 2024**

(30) **Foreign Application Priority Data**
Aug. 1, 2023 (CN) 202330486116.0

(51) **LOC (15) Cl.** **23-01**
(52) **U.S. Cl.**
USPC **D23/223**
(58) **Field of Classification Search**
USPC D23/213, 223, 224, 225, 226, 227, 228, D23/229
CPC B05B 1/16; B05B 1/1618; B05B 1/18; A47K 3/26; A47K 7/08; E03D 9/085
See application file for complete search history.

(56) **References Cited**
U.S. PATENT DOCUMENTS

D281,098 S * 10/1985 Jennings D23/213
D343,447 S * 1/1994 Thaler D23/295
D407,312 S * 3/1999 Shanklin D9/447
8,272,542 B2 * 9/2012 Becker B65D 83/202
222/323
9,849,472 B2 * 12/2017 Ayers B05B 1/3026

OTHER PUBLICATIONS

RinseWorks Aquaus 360 Handheld Bidet Sprayer, Apr. 24, 2018, Amazon, site visited Aug. 5, 2024: <https://www.amazon.com/dp/B076HYRKNC/> (Year: 2018).*
BESy 2 In 1 Function Handheld Shower Head, May 5, 2021, Amazon, site visited Aug. 5, 2024: <https://www.amazon.com/dp/B0946QSZ6J/> (Year: 2021).*
Luxsego High Pressure Shower Head, Apr. 12, 2023, Amazon, site visited Aug. 5, 2024: <https://www.amazon.com/dp/B0CHJP74K1/> (Year: 2023).*

* cited by examiner

Primary Examiner — Jack Reickel
Assistant Examiner — Bobby W Jones, II

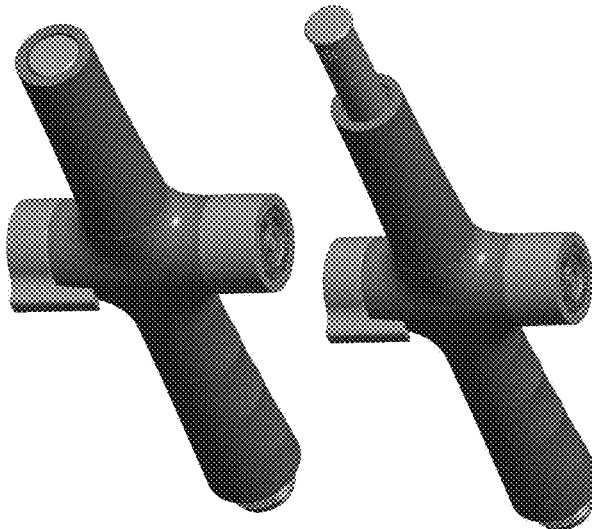
(57) **CLAIM**

The ornamental design for a bidet sprayer, as shown and described.

DESCRIPTION

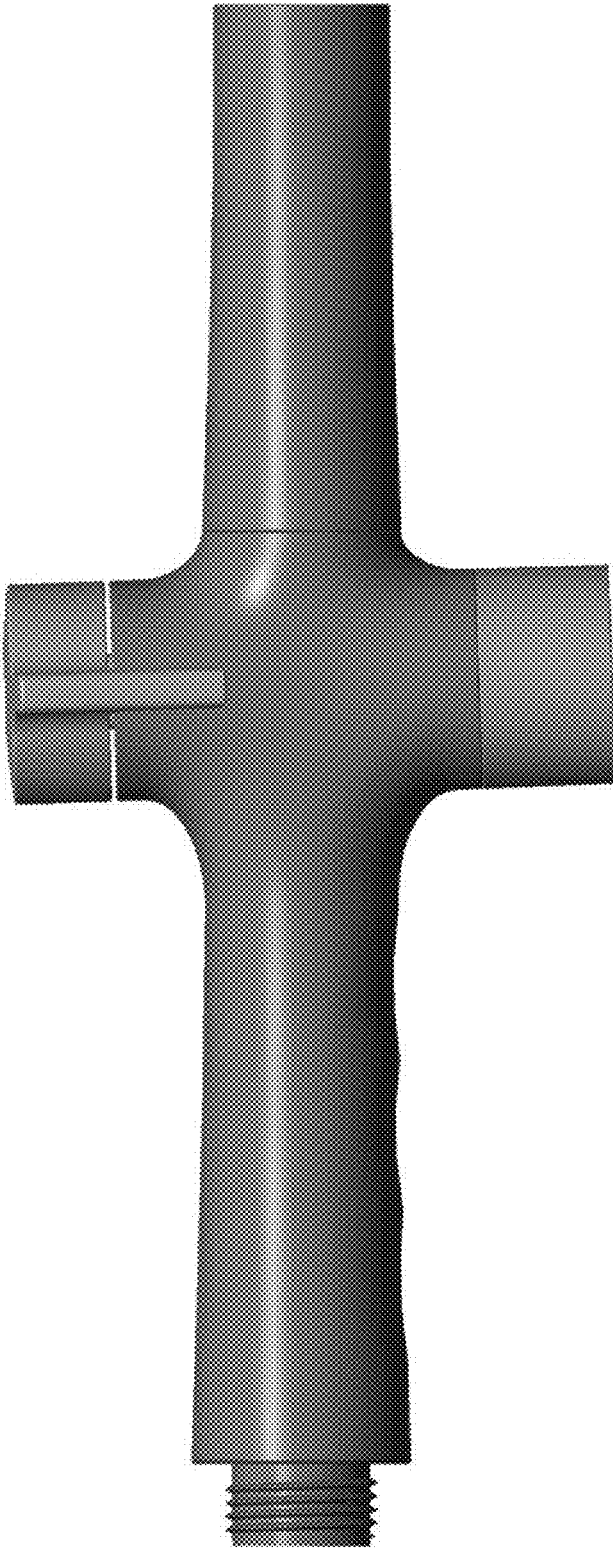
- 1. Bidet sprayer
- 1.1 : Perspective
- 1.2 : Front
- 1.3 : Back
- 1.4 : Left
- 1.5 : Right
- 1.6 : Top
- 1.7 : Bottom
- 1.8 : Use status view

1 Claim, 8 Drawing Sheets

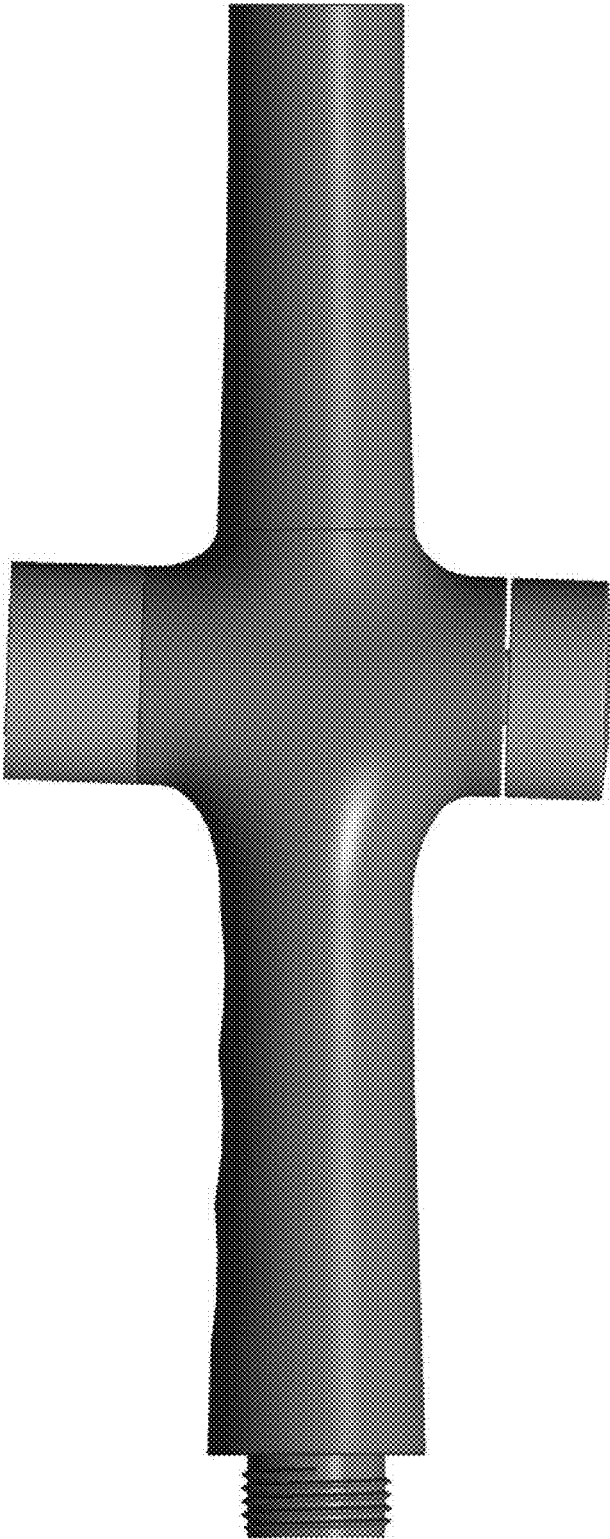




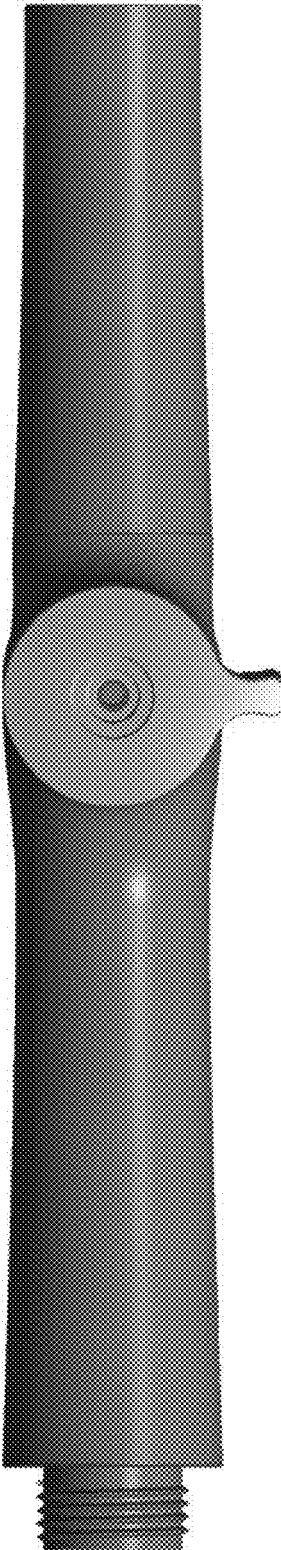
1.1



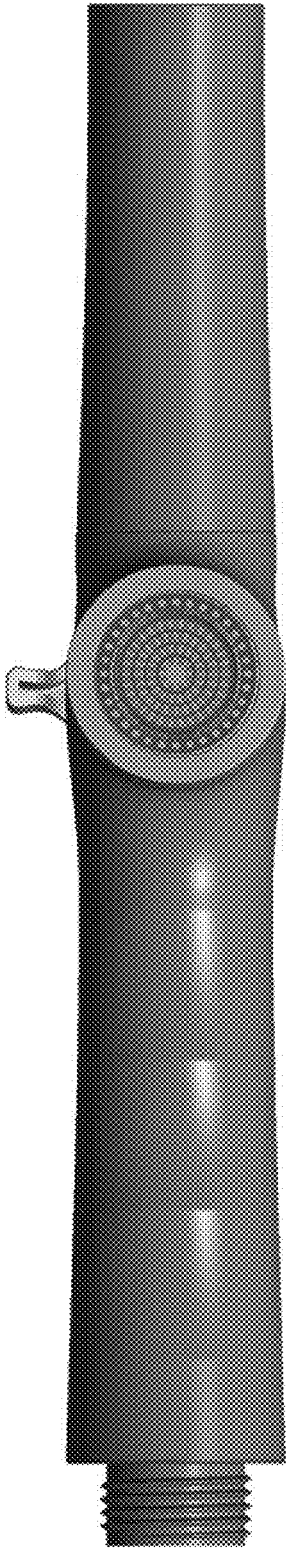
1.2



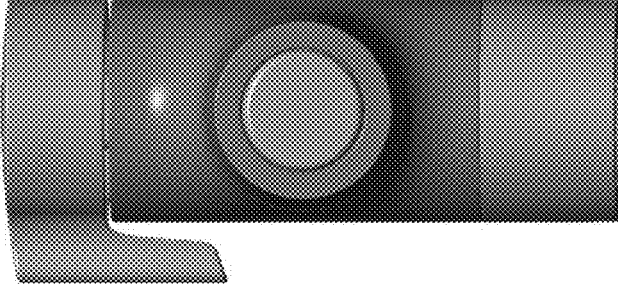
1.3



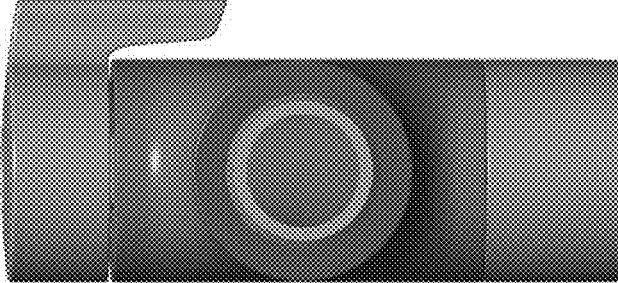
1.4



1.5



1.6



1.7



1.8