



US00D748830S

(12) **United States Design Patent**
Gerardo

(10) **Patent No.:** **US D748,830 S**

(45) **Date of Patent:** **** Feb. 2, 2016**

(54) **COMPACT MULTI-FUNCTION LED LIGHTHEAD**

(71) Applicant: **Whelen Engineering Company, Inc.**,
Chester, CT (US)

(72) Inventor: **Tony Gerardo**, Bristol, CT (US)

(73) Assignee: **Whelen Engineering Company, Inc.**,
Chester, CT (US)

(**) Term: **14 Years**

(21) Appl. No.: **29/489,907**

(22) Filed: **May 5, 2014**

(51) **LOC (10) Cl.** **26-06**

(52) **U.S. Cl.**

USPC **D26/28**

(58) **Field of Classification Search**

USPC D26/28-36, 39, 60-66, 72-74,
D26/118-121, 138-140, 142; 362/84, 341,
362/459-468, 473, 475-478, 485-487, 511,
362/520, 523; D10/104.1, 111, 113.4,
D10/114.1, 114.2, 114.3, 114.9, 115;
D12/187-189; D8/349-356, 363, 373,
D8/380, 381
CPC ... F21S 48/1154; F21S 48/218; F21S 48/225;
F21S 48/31; B60Q 3/0289
See application file for complete search history.

(56) **References Cited**

U.S. PATENT DOCUMENTS

D123,761 S * 12/1940 Pieper D26/24
D300,865 S * 4/1989 Belletire et al. D26/28

D324,111 S * 2/1992 Arbisi D26/28
D376,214 S * 12/1996 Pinchuk D26/26
D411,635 S * 6/1999 Philpot et al. D26/28
D492,047 S * 6/2004 Dohogne et al. D26/28
D517,229 S * 3/2006 Wernimont D26/31
D570,518 S * 6/2008 Haimov D26/74
D578,684 S * 10/2008 Marquardt D26/28
D660,491 S * 5/2012 Holscher D26/63
D701,982 S * 4/2014 Kwon D26/28
D728,848 S * 5/2015 Reyes D26/118
2002/0163796 A1 * 11/2002 Dickie et al. 362/84

* cited by examiner

Primary Examiner — Cynthia Ramirez

Assistant Examiner — Llorelys Martinez-Rivera

(74) *Attorney, Agent, or Firm* — Alix, Yale & Ristas, LLP

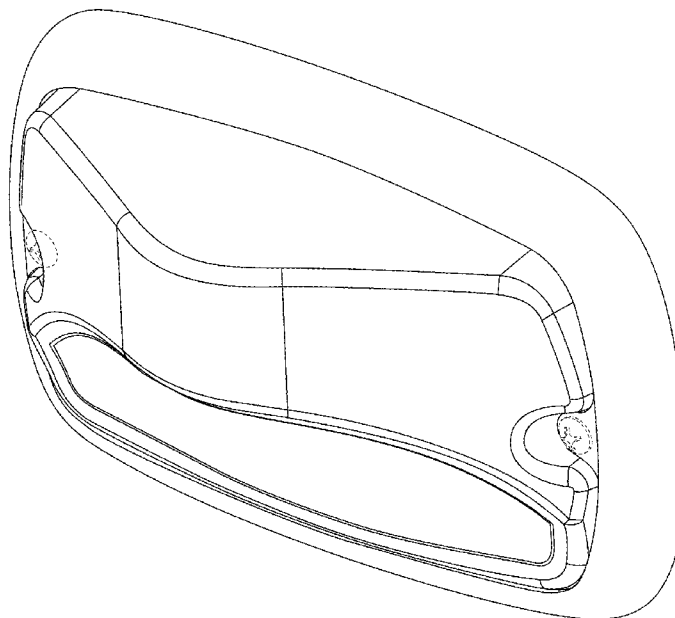
(57) **CLAIM**

The ornamental design for a compact multi-function LED lighthead, as shown and described.

DESCRIPTION

FIG. 1 is a top perspective view of a compact multi-function LED lighthead showing my new design;
FIG. 2 is a bottom perspective view thereof;
FIG. 3 is a front view thereof;
FIG. 4 is a top plan view thereof;
FIG. 5 a bottom plan view thereof; and,
FIG. 6 is a right side view, the opposite left side view being a mirror image thereof.
No claim is made to the rear view. The broken lines shown in the drawings illustrate environmental subject matter which form no part of the claimed design.

1 Claim, 6 Drawing Sheets



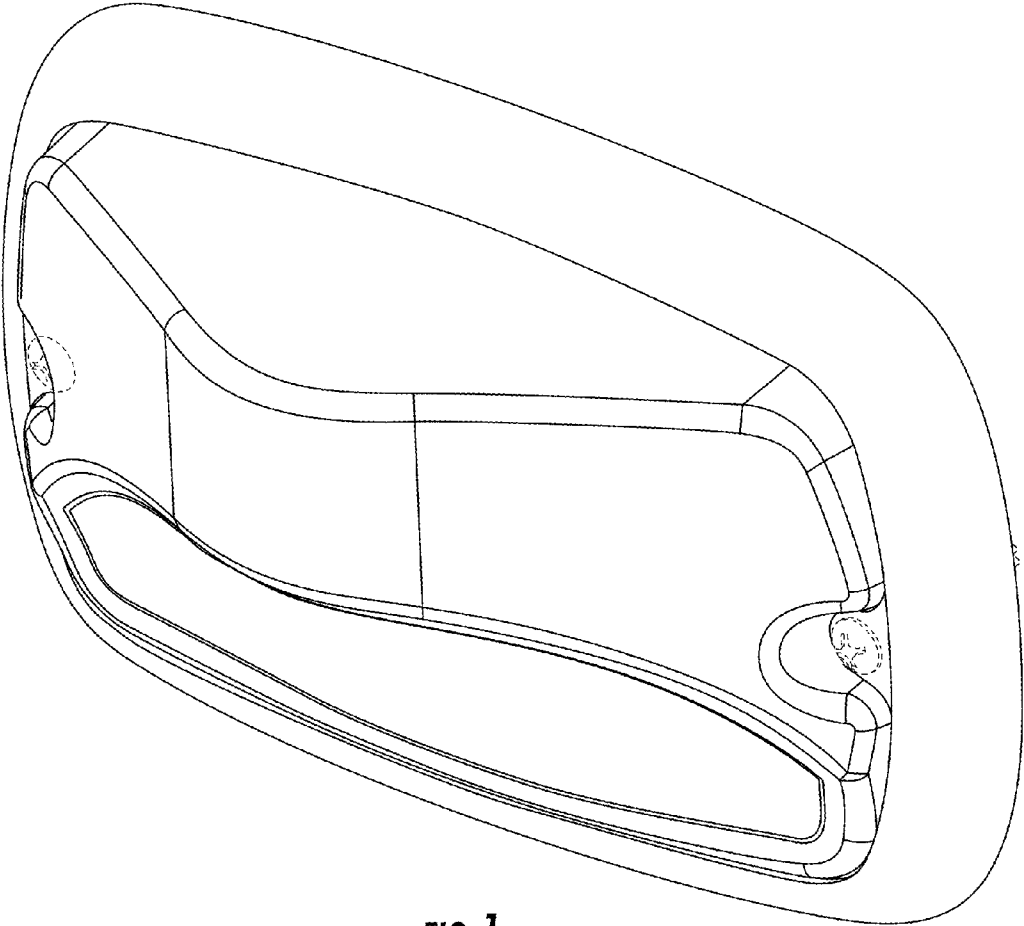


FIG. 1

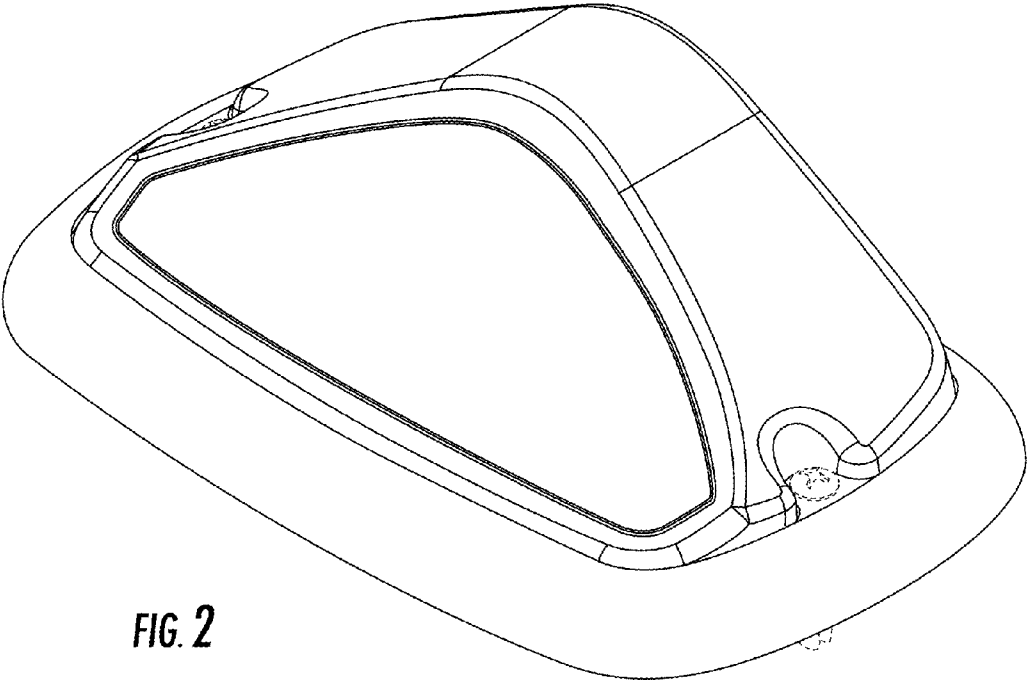


FIG. 2

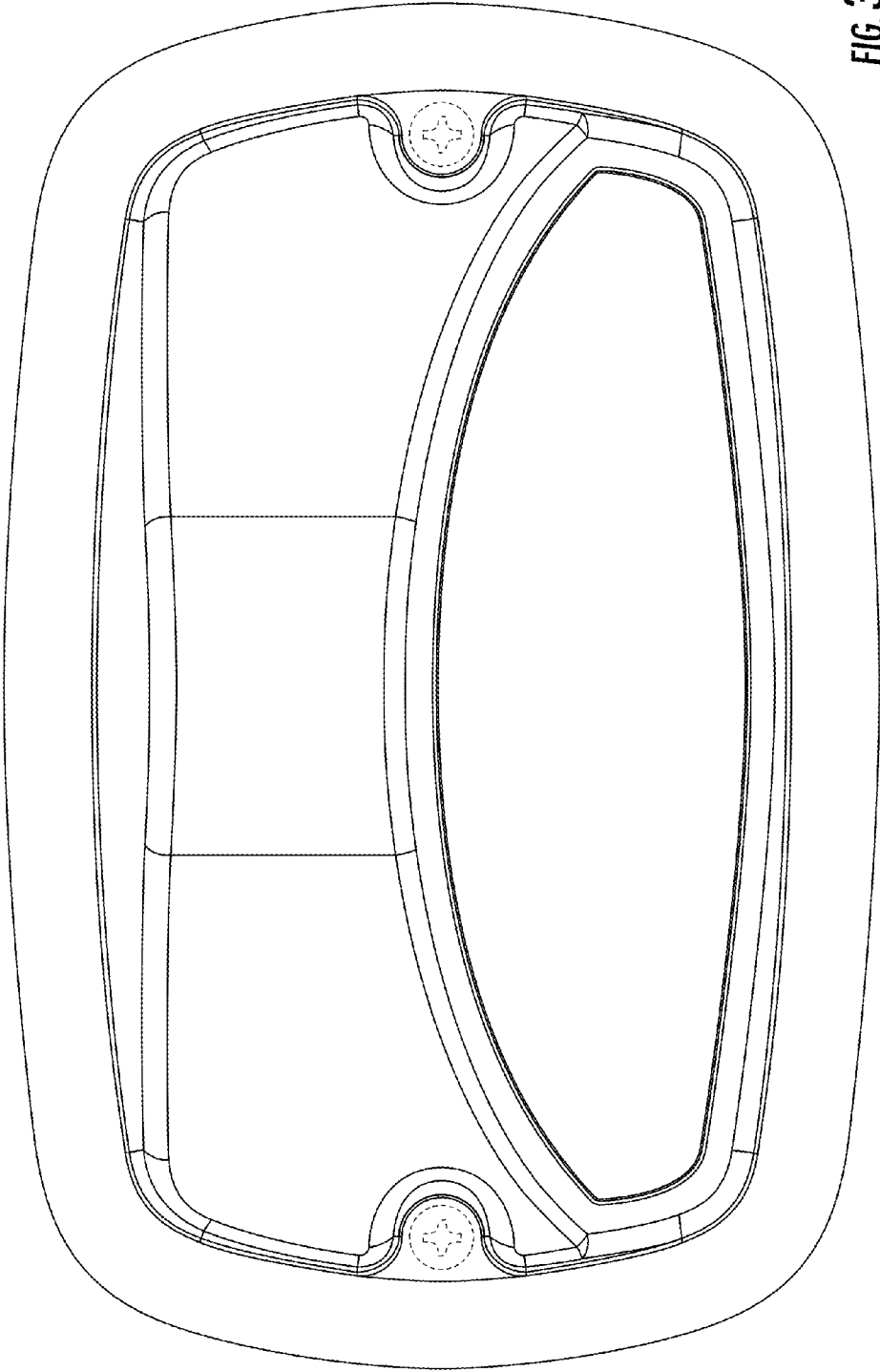


FIG. 3

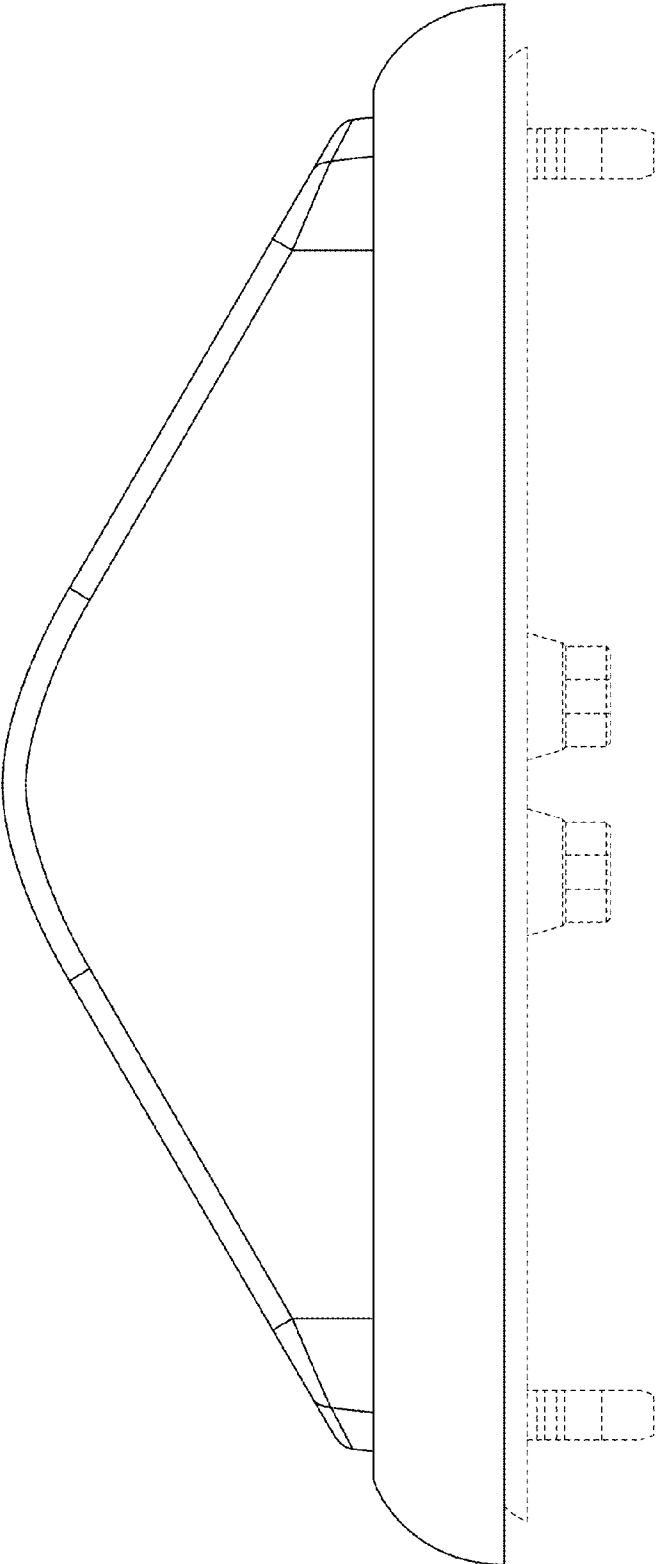


FIG. 4

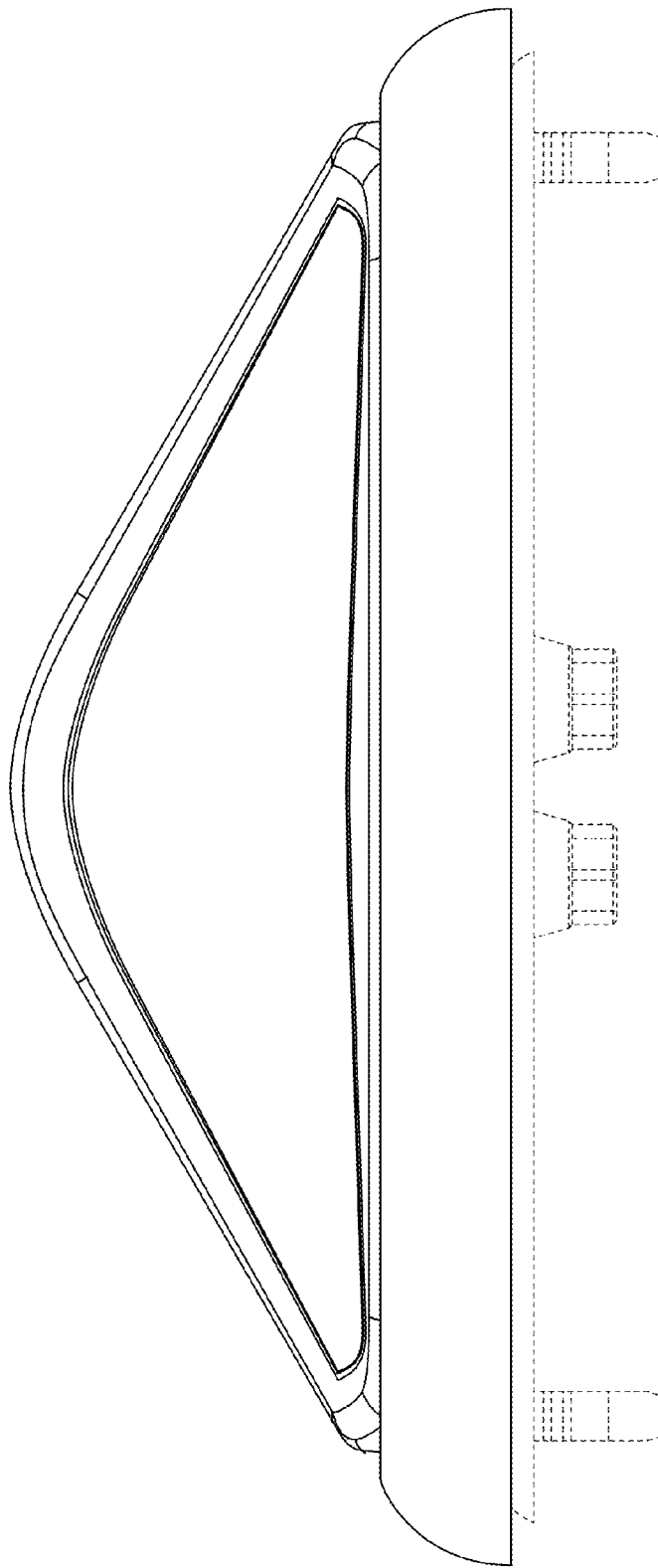


FIG. 5

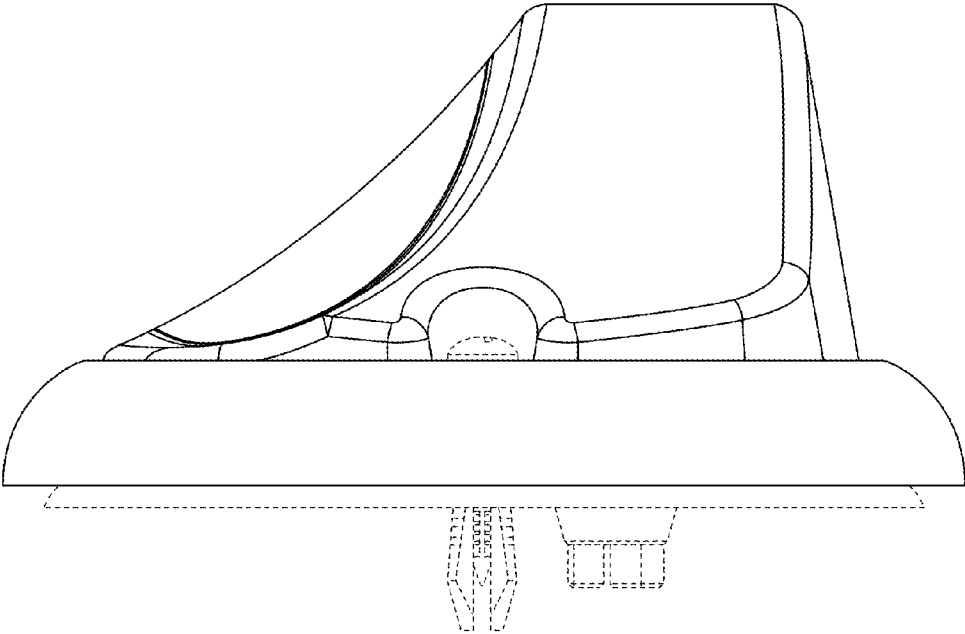


FIG. 6