



US00D856400S

(12) **United States Design Patent**  
**Harms et al.**

(10) **Patent No.:** **US D856,400 S**

(45) **Date of Patent:** **\*\* Aug. 13, 2019**

- (54) **SHIRT CLIP FOR CAMERA**
- (71) Applicant: **Trinity Innovative Solutions, LLC**,  
Little Elm, TX (US)
- (72) Inventors: **Dwight David Harms**, The Colony, TX  
(US); **Timothy Francis Hall**, The  
Colony, TX (US)
- (73) Assignee: **TRINITY INNOVATIVE  
SOLUTIONS, LLC**, Little Elm, TX  
(US)
- (\*\*) Term: **15 Years**
- (21) Appl. No.: **29/638,106**
- (22) Filed: **Feb. 23, 2018**
- (51) **LOC (12) Cl.** ..... **16-05**
- (52) **U.S. Cl.**  
USPC ..... **D16/237**
- (58) **Field of Classification Search**  
USPC ..... D16/219, 237-250; D14/224, 229, 238,  
D14/251, 253, 447, 451, 457; D8/354,  
D8/355, 363, 373, 382, 383, 394, 395,  
D8/396, 397, 398  
CPC .. A45F 5/00; A45F 5/10; F16M 11/06; F16M  
11/07; F16M 11/08; F16M 11/09; F16M  
11/10; G03B 7/00-002; G03B 17/56;  
G03B 17/561; G03B 17/563; G03B  
17/565; G03B 17/566; G03B 17/568;  
H04N 5/2253-5/2254  
See application file for complete search history.

6,457,218 B1 \* 10/2002 Lawrence ..... B42F 1/10  
24/3.12

D477,029 S 7/2003 Korowitz  
D477,364 S 7/2003 Tsai  
(Continued)

**OTHER PUBLICATIONS**

Action Camera Accessories Bag Clip Backpack Mount. [online]  
Published Apr. 20, 2018. Retrieved Nov. 16, 2018 from URL:  
[https://www.gearbest.com/action-cameras-sport-dv-accessories/pp\\_1634764.html](https://www.gearbest.com/action-cameras-sport-dv-accessories/pp_1634764.html).\*  
(Continued)

*Primary Examiner* — Vy N Koenig  
(74) *Attorney, Agent, or Firm* — David W. Carstens; J.  
Andrew Reed; Carstens & Cahoon, LLP

(57) **CLAIM**

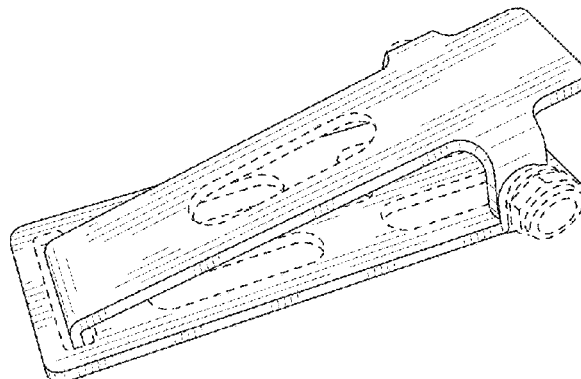
The ornamental design for a shirt clip for camera, as shown and described.

**DESCRIPTION**

FIG. 1 is a perspective view of the shirt clip for camera having first and second clip elements in a first position; FIG. 2 is a front view of the shirt clip for camera in a second position; FIG. 3 is a rear view of the shirt clip for camera in a second position; FIG. 4 is a side view of the shirt clip for camera in a second position; FIG. 5 is a side view of the shirt clip for camera in a second position; FIG. 6 is a top view of the shirt clip for camera in a first position; and, FIG. 7 is a bottom view of the shirt clip for camera in a first position.  
The broken lines illustrating portions of the clip elements are for the purposes of illustrating environmental structure and form no part of the claimed design.

**1 Claim, 3 Drawing Sheets**

- (56) **References Cited**
- U.S. PATENT DOCUMENTS
- |             |         |              |
|-------------|---------|--------------|
| 4,228,569 A | 10/1980 | Snyder       |
| D306,870 S  | 3/1990  | Overstreet   |
| 5,159,730 A | 11/1992 | Radvin       |
| 5,452,500 A | 6/1995  | Revis        |
| D386,215 S  | 11/1997 | White et al. |
| D393,797 S  | 4/1998  | Kostigian    |
| D438,452 S  | 3/2001  | Tsai         |



(56)

**References Cited**

U.S. PATENT DOCUMENTS

|           |     |         |                 |         |
|-----------|-----|---------|-----------------|---------|
| D478,628  | S   | 8/2003  | Sheldon et al.  |         |
| D497,183  | S   | 10/2004 | Chiu            |         |
| D523,477  | S   | 6/2006  | Cetera          |         |
| D534,939  | S   | 1/2007  | Sheehan et al.  |         |
| D552,978  | S   | 10/2007 | Liao            |         |
| D563,452  | S   | 3/2008  | Tan et al.      |         |
| D564,559  | S   | 3/2008  | Stephens et al. |         |
| D566,537  | S * | 4/2008  | Wen-Po          | D8/395  |
| D607,716  | S   | 1/2010  | Chiu            |         |
| D614,945  | S   | 5/2010  | Chiu            |         |
| 7,775,486 | B2  | 6/2010  | Depay et al.    |         |
| D619,451  | S * | 7/2010  | Carlesso        | D16/237 |
| D631,509  | S   | 1/2011  | Liang           |         |
| D637,480  | S   | 5/2011  | Chen et al.     |         |
| D679,700  | S   | 4/2013  | Werth           |         |
| D682,256  | S * | 5/2013  | Murchison       | D14/223 |
| D682,332  | S   | 5/2013  | Wang et al.     |         |
| D723,536  | S * | 3/2015  | Werth           | D14/253 |
| D778,880  | S * | 2/2017  | Belitz          | D14/224 |
| D786,882  | S * | 5/2017  | Cho             | D14/447 |
| D795,844  | S * | 8/2017  | Harper          | D14/223 |
| D810,179  | S * | 2/2018  | Harms           | D16/237 |
| D820,342  | S * | 6/2018  | Harms           | D16/242 |

OTHER PUBLICATIONS

Klick Fast Anti-Tilt Body Worn Camera Spring Clamp. [online ]  
 Retrieved Nov. 16, 2018 from URL: <https://www.rewiresecurity.co.uk/peter-jones-klick-fast-dockclamp-anti-tilt-mount>.\*

\* cited by examiner

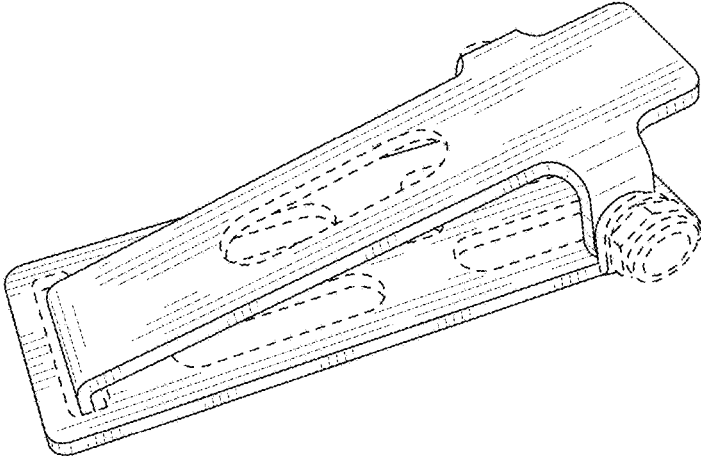


FIG. 1

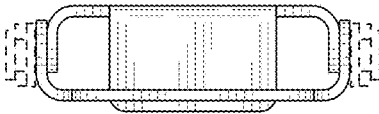


FIG. 2

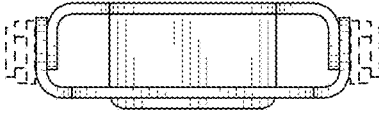


FIG. 3

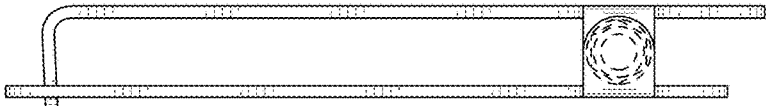


FIG. 4

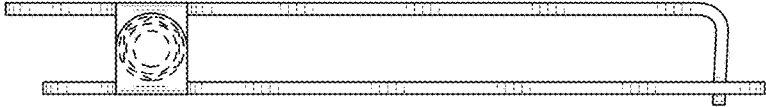


FIG. 5

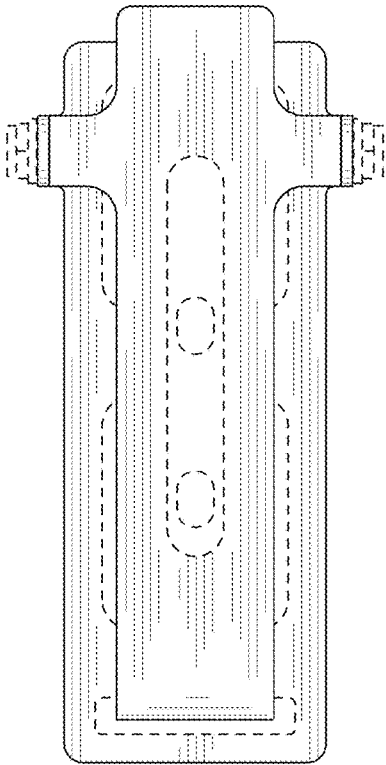


FIG. 6

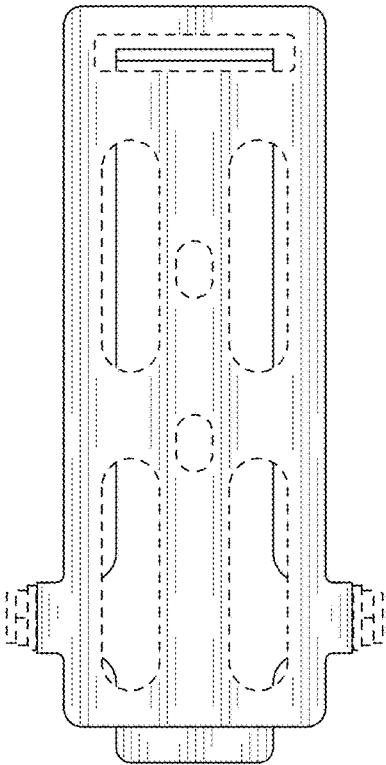


FIG. 7