



US00D968043S

(12) **United States Design Patent**
Chei et al.

(10) **Patent No.:** **US D968,043 S**

(45) **Date of Patent:** **** Oct. 25, 2022**

(54) **VACUUM BODY OF A VACUUM CLEANER**

FOREIGN PATENT DOCUMENTS

(71) Applicant: **SharkNinja Operating, LLC**,
Needham, MA (US)

CA 160056 12/2015
CA 179445 3/2021

(Continued)

(72) Inventors: **Junghwan Chei**, Chestnut Hill, MA
(US); **Owen R. Johnson**, Needham,
MA (US)

OTHER PUBLICATIONS

“Shark Navigator Pet Plus”, Apr. 25, 2019, <https://www.youtube.com>.

(Continued)

(73) Assignee: **SHARKNINJA OPERATING LLC**,
Needham, MA (US)

(**) Term: **15 Years**

Primary Examiner — Kimberly Barnes

(21) Appl. No.: **29/738,140**

(74) *Attorney, Agent, or Firm* — Grossman, Tucker,
Perreault & Pfleger, PLLC

(22) Filed: **Jun. 15, 2020**

(57) **CLAIM**

We claim the ornamental design for a vacuum body of a vacuum cleaner, as shown and described.

Related U.S. Application Data

DESCRIPTION

(62) Division of application No. 29/659,676, filed on Aug. 10, 2018, now Pat. No. Des. 887,656.

(51) **LOC (13) Cl.** **15-05**

(52) **U.S. Cl.** **D32/22**

(58) **Field of Classification Search**

USPC D32/17, 18, 21, 22, 23, 24, 31, 32, 33,

D32/34

CPC A47L 11/20; A47L 11/34; A47L 11/40;

A47L 11/4016; A47L 5/24; A47L 5/28;

A47L 7/02

See application file for complete search history.

FIG. 1 is a front, top, left perspective view of a vacuum body of a vacuum cleaner showing our new design; FIG. 2 is a front, top, right perspective view thereof; FIG. 3 is a rear, top, left perspective view thereof; FIG. 4 is a rear, top, right perspective view thereof; FIG. 5 is a rear, bottom, right perspective view thereof; FIG. 6 is a rear, bottom, left perspective view thereof; FIG. 7 is a front, bottom, right perspective view thereof; FIG. 8 is a front, bottom, left perspective view thereof; FIG. 9 is a front side view thereof; FIG. 10 is a rear view thereof; FIG. 11 is a left view thereof; FIG. 12 is a right view thereof; FIG. 13 is a top view thereof; and, FIG. 14 is a bottom view thereof.

Broken lines in the drawings are for the purpose of illustrating portions of the vacuum body of a vacuum cleaner that form no part of the claimed design.

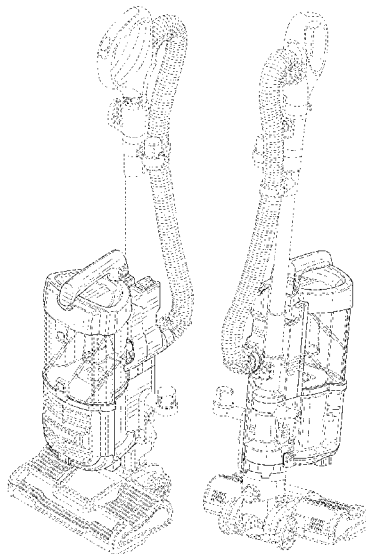
(56) **References Cited**

U.S. PATENT DOCUMENTS

D535,070 S 1/2007 Shin
D537,584 S 2/2007 Greene et al.
D633,264 S 2/2011 Lee
D659,312 S 5/2012 Shin et al.
D659,313 S 5/2012 Shin et al.

(Continued)

1 Claim, 11 Drawing Sheets



(56)

References Cited

U.S. PATENT DOCUMENTS

D662,271	S	6/2012	Conrad et al.	
D662,272	S	6/2012	Conrad et al.	
8,296,900	B2	10/2012	Conrad	
D685,961	S	7/2013	Bilger et al.	
D686,377	S	7/2013	Thorne	
8,528,164	B2	9/2013	Conrad	
8,578,553	B2	11/2013	Conrad	
D728,878	S	5/2015	Johnson et al.	
D739,104	S	9/2015	Johnson	
D739,620	S	9/2015	Johnson	
D740,505	S *	10/2015	Gidwell	D32/31
9,215,960	B2	12/2015	Conrad	
D751,261	S	3/2016	Thorne	
9,392,919	B2	7/2016	Kasper	
9,402,516	B2	8/2016	Pilch	
D768,944	S	10/2016	Zhang	
D769,557	S *	10/2016	Johnson	D32/22
D770,106	S	10/2016	Johnson et al.	
D770,109	S *	10/2016	Chu, Jr.	D32/32
D772,510	S	11/2016	Palladino	
D773,135	S	11/2016	Zhou	
D775,440	S *	12/2016	Kwon	D32/22
D781,014	S *	3/2017	Wu	D32/32
9,591,953	B2	3/2017	Conrad et al.	
D783,912	S *	4/2017	Shin	D32/22
D784,636	S	4/2017	Canas et al.	
D785,258	S *	4/2017	Canas	D32/31
D789,006	S *	6/2017	Ricica	D32/32
D792,669	S	7/2017	Johnson	
9,693,665	B2 *	7/2017	Khalil	A47L 9/1691
D794,880	S *	8/2017	Zhou	D32/22
D796,136	S *	8/2017	Reynolds	D32/33
D804,120	S *	11/2017	Bond	D32/31
9,814,361	B2	11/2017	Bilger	
D804,751	S	12/2017	Johnson et al.	
9,962,049	B2	5/2018	Thorne	
10,085,603	B2	10/2018	Kim et al.	
D838,068	S	1/2019	Bond	
D844,267	S *	3/2019	Zhou	D32/22
D845,566	S	4/2019	Hooley et al.	
D845,567	S	4/2019	Hooley et al.	
D874,762	S *	2/2020	Tang	D32/22
D877,430	S *	3/2020	Hooley	D32/22
D880,090	S *	3/2020	Tokoi	D32/32
D882,195	S *	4/2020	Palladino	D32/31
D887,656	S *	6/2020	Chei	D32/22
D887,657	S *	6/2020	Palladino	D32/22
D891,015	S	7/2020	Palladino et al.	
D905,918	S	12/2020	Pearce et al.	
D912,348	S *	3/2021	Choi	D32/32
D920,611	S *	5/2021	Szabo	D32/32
D924,505	S *	7/2021	Knapp	D32/21
D924,509	S *	7/2021	Niedzwecki	D32/22
D926,401	S *	7/2021	Knapp	D32/22
11,064,853	B2	7/2021	Clare et al.	
D930,926	S	9/2021	Wroblewski	
D930,927	S	9/2021	Smith et al.	
D931,561	S	9/2021	Meissner et al.	

D933,318	S	10/2021	Meissner et al.	
D934,519	S	10/2021	Knapp et al.	
D935,714	S	11/2021	Park	
D937,513	S	11/2021	Chan et al.	
D938,117	S	12/2021	Dingert	
11,197,592	B2 *	12/2021	Zhou	A47L 9/26
2014/0041149	A1	2/2014	Henderson et al.	
2015/0351596	A1	12/2015	Thorne	
2017/0347848	A1	12/2017	Carter et al.	
2021/0161349	A1 *	6/2021	Davila	A47L 11/201
2022/0125257	A1 *	4/2022	Conrad	A47L 5/365

FOREIGN PATENT DOCUMENTS

EM	007449228-0002	3/2020
GB	9007449228-0003	12/2019

OTHER PUBLICATIONS

“Shark Navigator Zero-M Pet Pro Upright”, Jul. 3, 2019, <https://www.kohls.com>, 2 pgs.

Shark Navigator Zero-M Self Cleaning, available in Amazon.ca, date first available Mar. 2, 2019 [online], [site visited Aug. 4, 2021], Available from the internet URL: <https://www.amazon.ca/Shark-Navigator-Zero-M-Upright-Metallic/dp/B07NFRP2RK?ref=ast-sto-dp> (Year: 2019).

SharkNinja Shark Navigator Upright Vacuum, available in Amazon.ca, date first available Sep. 20, 2018 [online], [site visited Sep. 4, 2021], Available from the internet URL: https://www.amazon.ca/dp/B07FX7Z3NL/ref=emc_b_5_t (Year: 2018).

Shark AZ1002C Apex DuoClean, available in Amazon.ca, date first available Aug. 29, 2019 [online], [site visited Mar. 26, 2021], Available from the internet URL: https://www.amazon.ca/Shark-AZ1002C-Self-Cleaning-Brushroll-Lift-Away/dp/B07X68CTTF?ref=ast_sto_dp (Year: 2019).

Shark NV800C DuoClean, available in Amazon.ca, date first available Oct. 2, 2017 [online], [site visited Aug. 26, 2021], Available from the internet URL: https://www.amazon.ca/Shark-NV800C-DuoClean-Powered-Lift-Away/dp/B076BZ695?ref=ast_sto_dp&th=1&psc=1 (Year: 2017).

Kenmore DU2012 Bagless Upright Vacuum, available in Amazon.ca, date first available Sep. 27, 2020 [online], [site visited Aug. 4, 2021], Available from the internet URL: <https://www.amazon.ca/dp/B08G19W913/ref>. (Year: 2020).

U.S. Office Action dated Oct. 28, 2020, received in U.S. Appl. No. 29/669,498, 6 pages.

European Union Examination Report dated Oct. 28, 2020, received in European Union Patent Application No. 008062277, 6 pages.

U.S. Office Action dated Jun. 26, 2020, received in U.S. Appl. No. 29/669,498, 7 pgs.

U.S. Office Action dated Sep. 14, 2021, received in U.S. Appl. No. 29/696,416, 24 pages.

U.S. Office Action/Restriction dated Sep. 1, 2021, received in U.S. Appl. No. 29/722,721, 9 pages.

U.S. Office Action dated Jan. 6, 2022, received in U.S. Appl. No. 29/722,721, 18 pages.

Canadian Examination Report dated Dec. 22, 2021, received in Canadian Patent Application No. 199143, 5 pages.

* cited by examiner

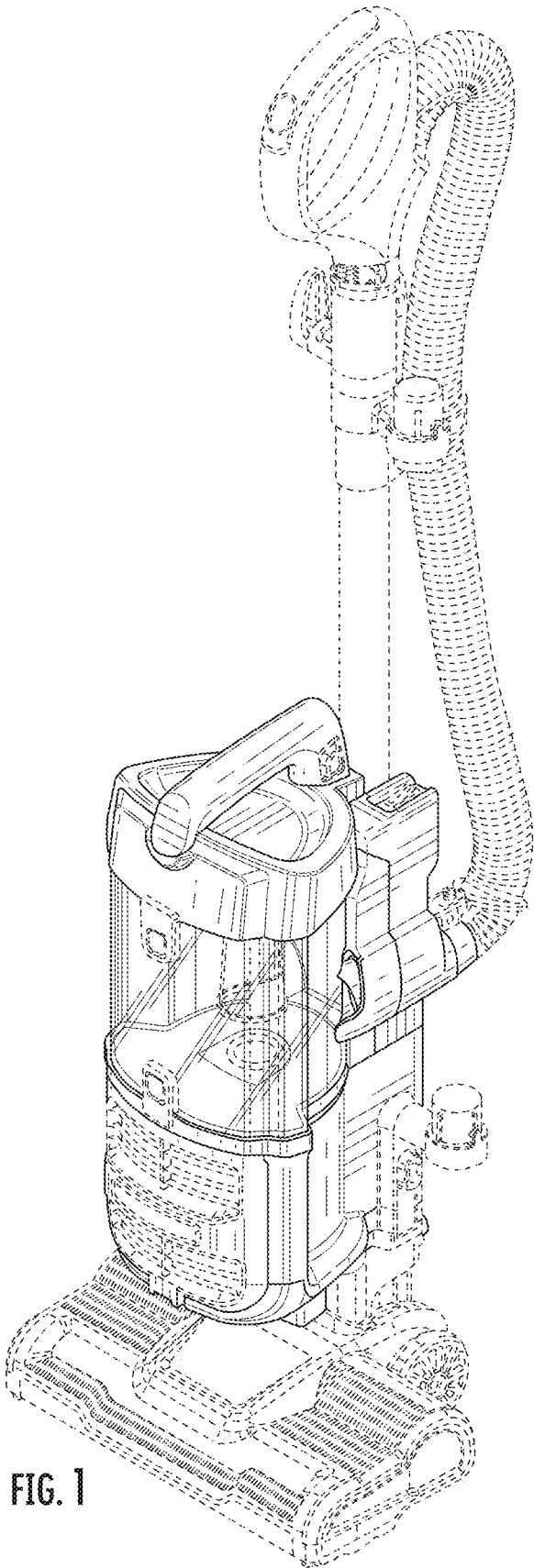


FIG. 1

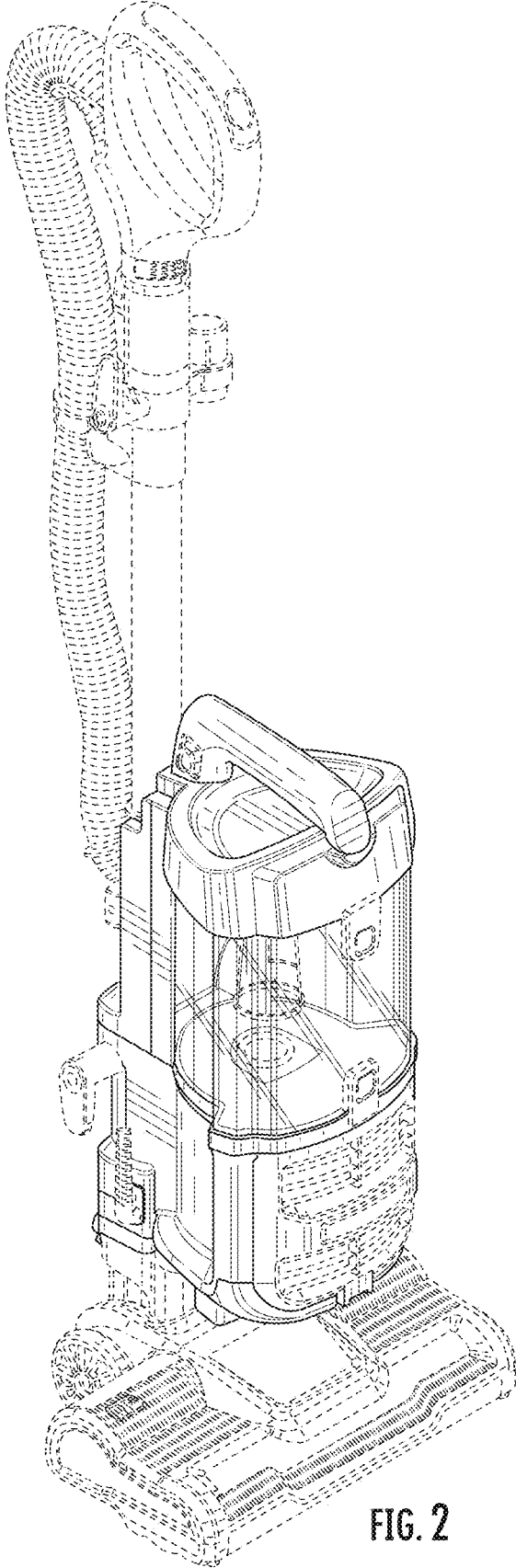


FIG. 2

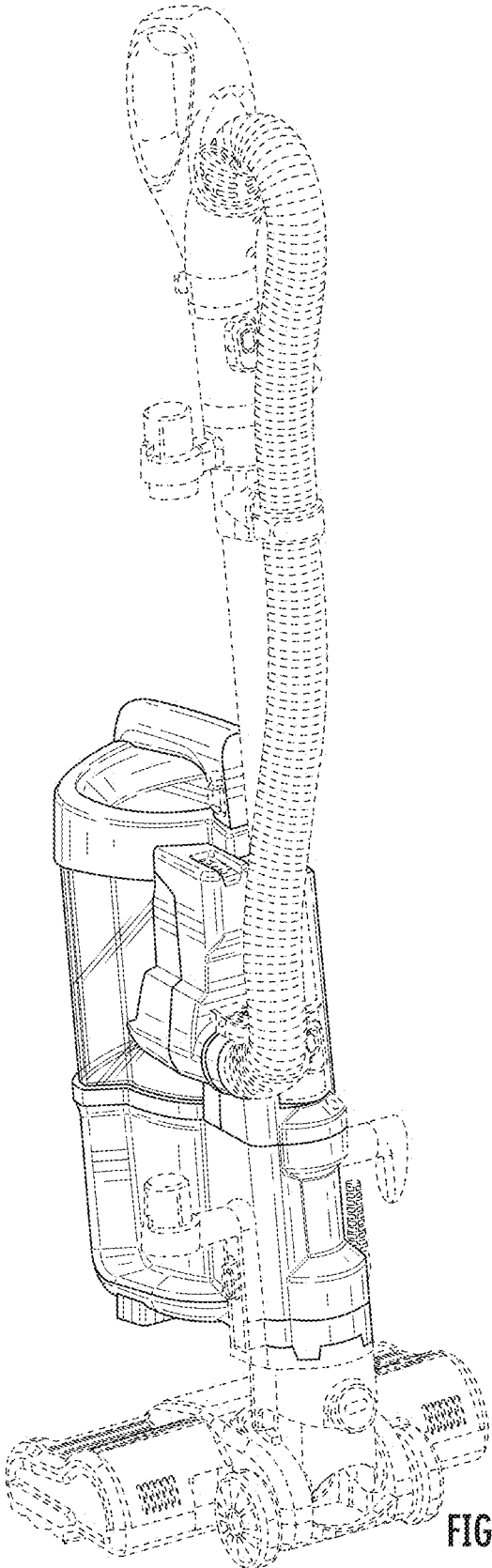


FIG. 3

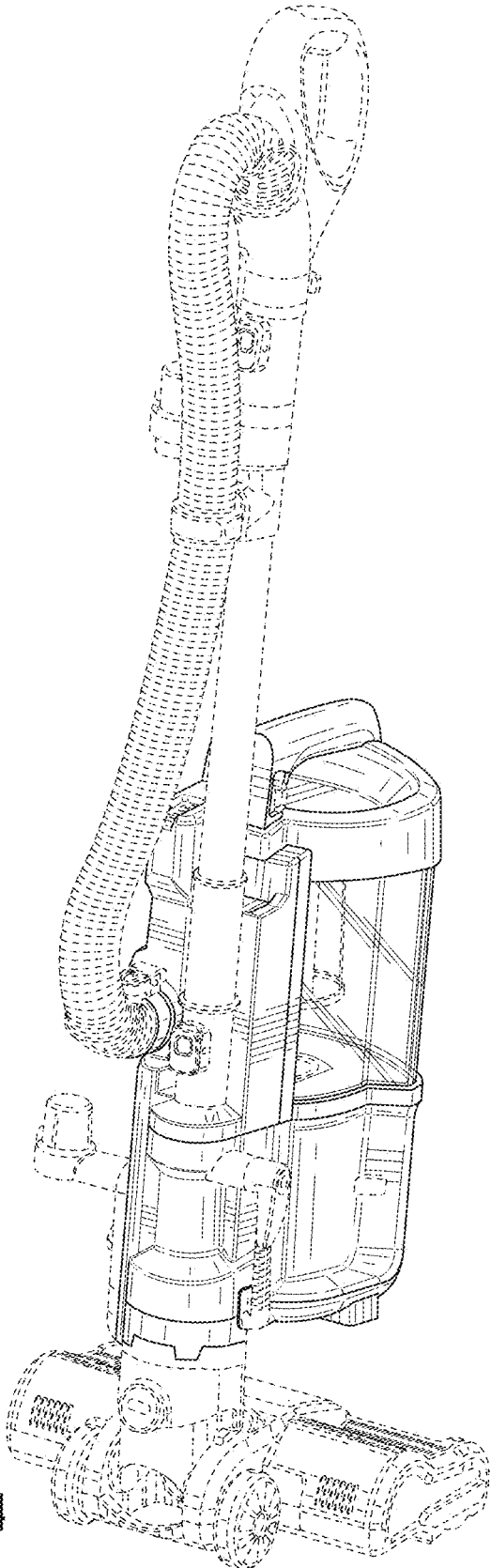


FIG. 4

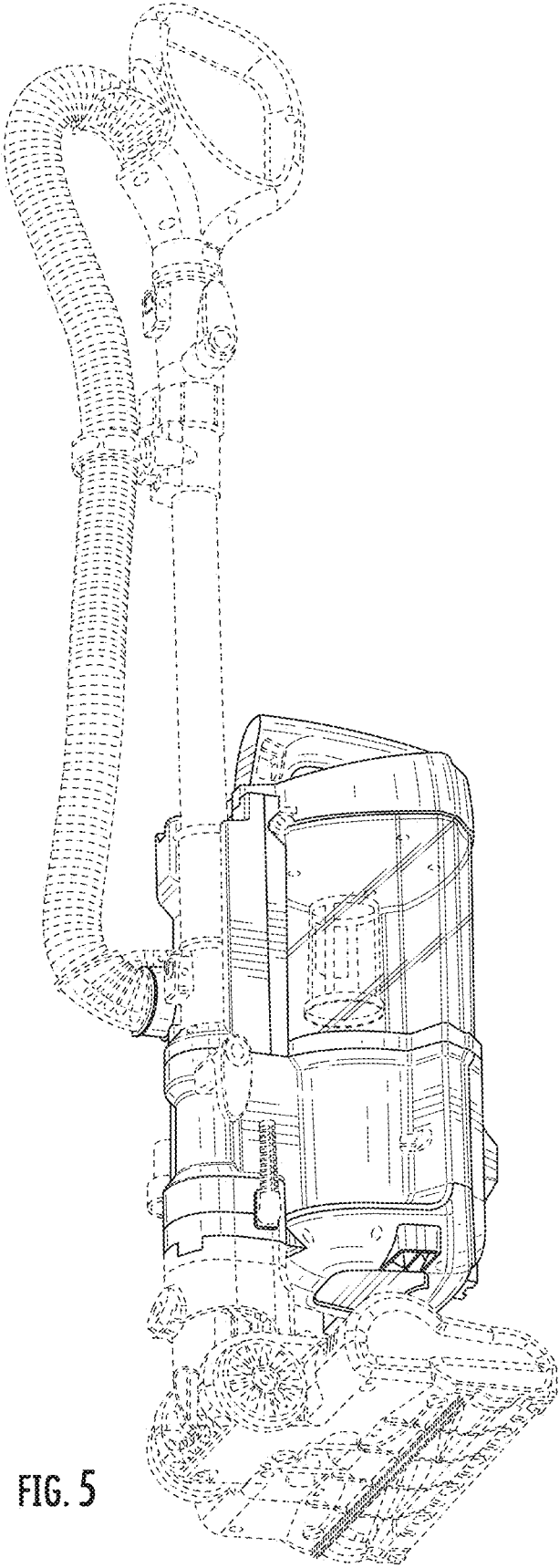


FIG. 5

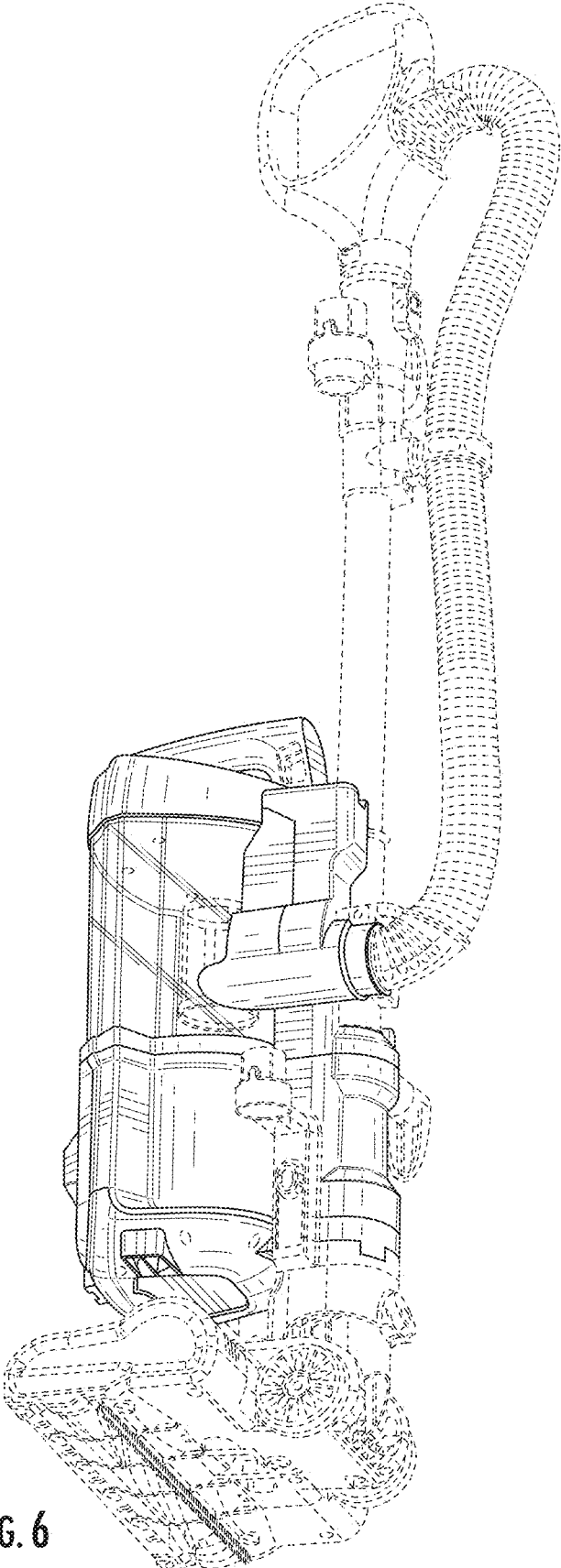


FIG. 6

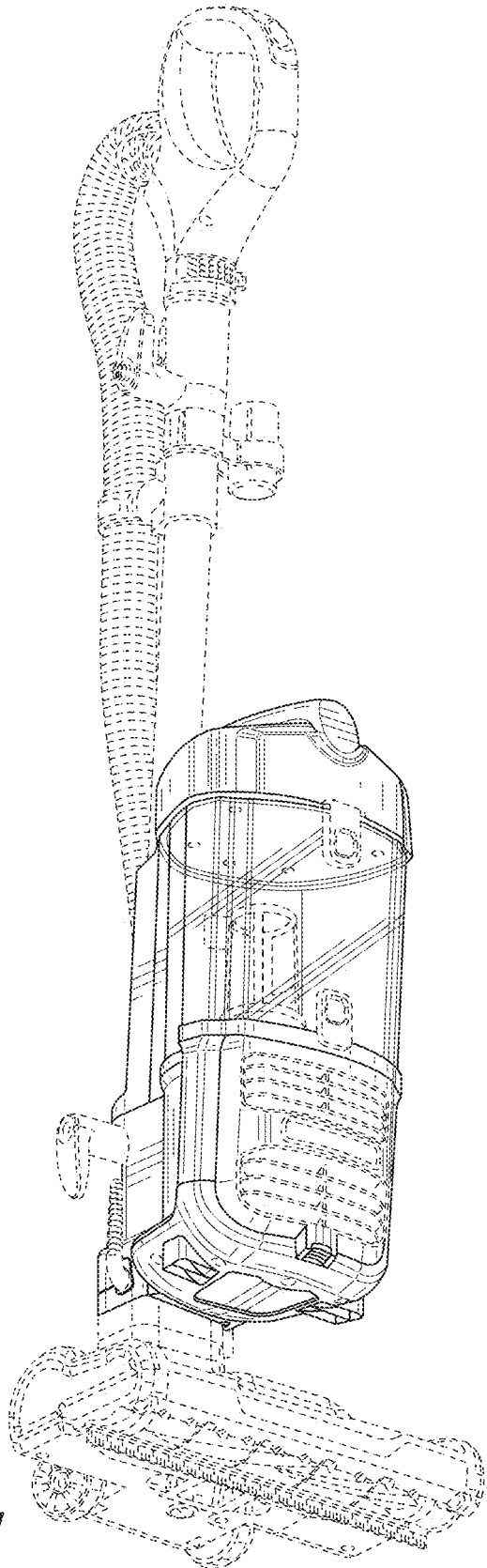


FIG. 7

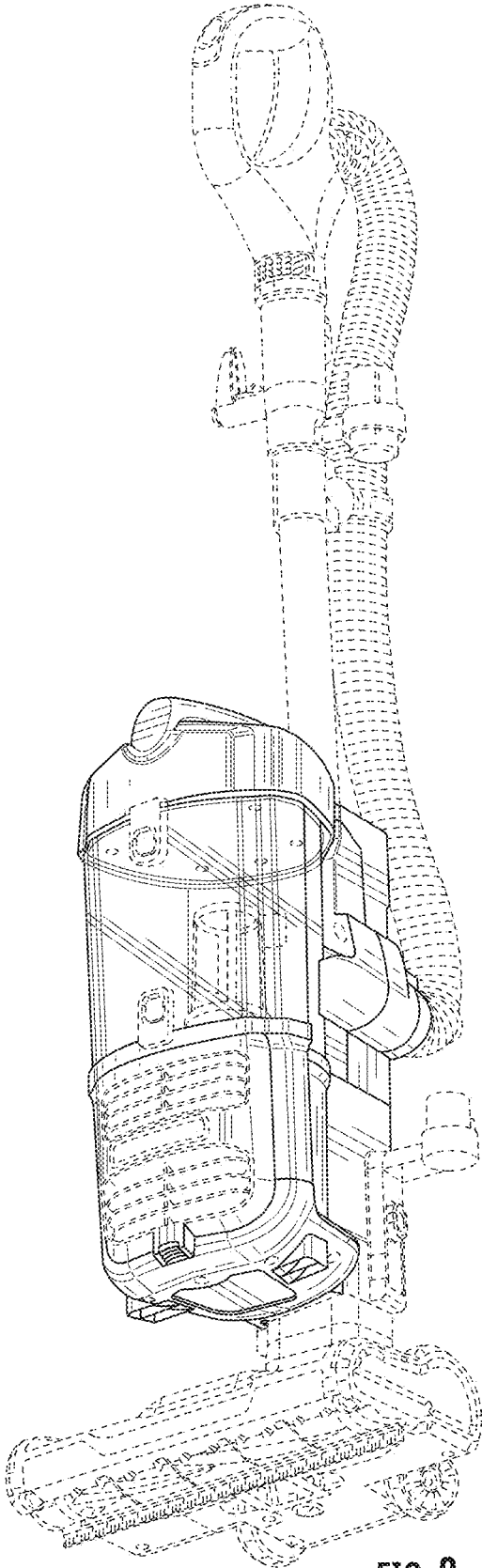


FIG. 8

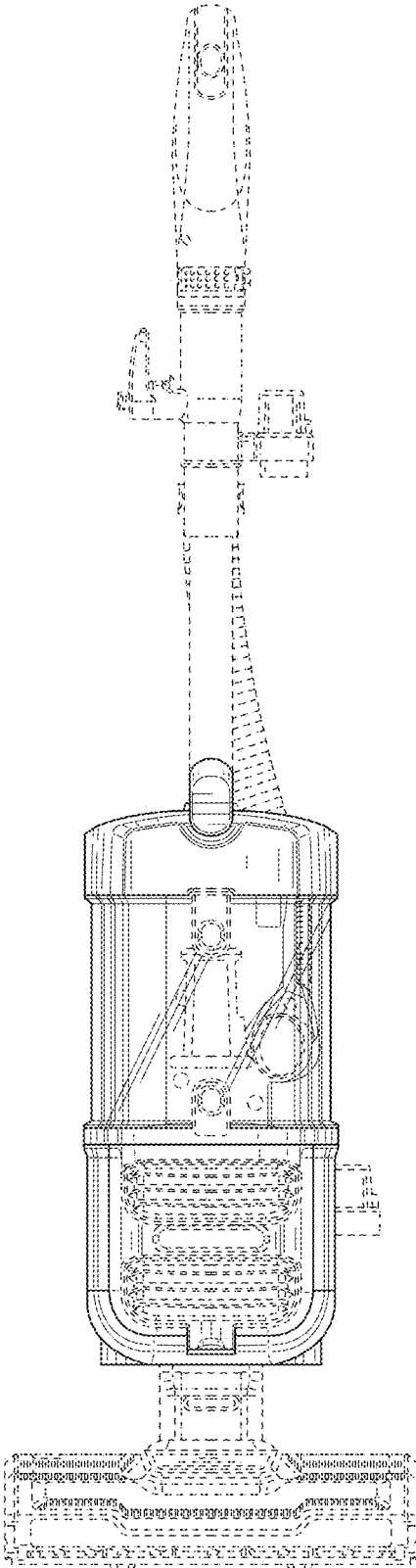


FIG. 9

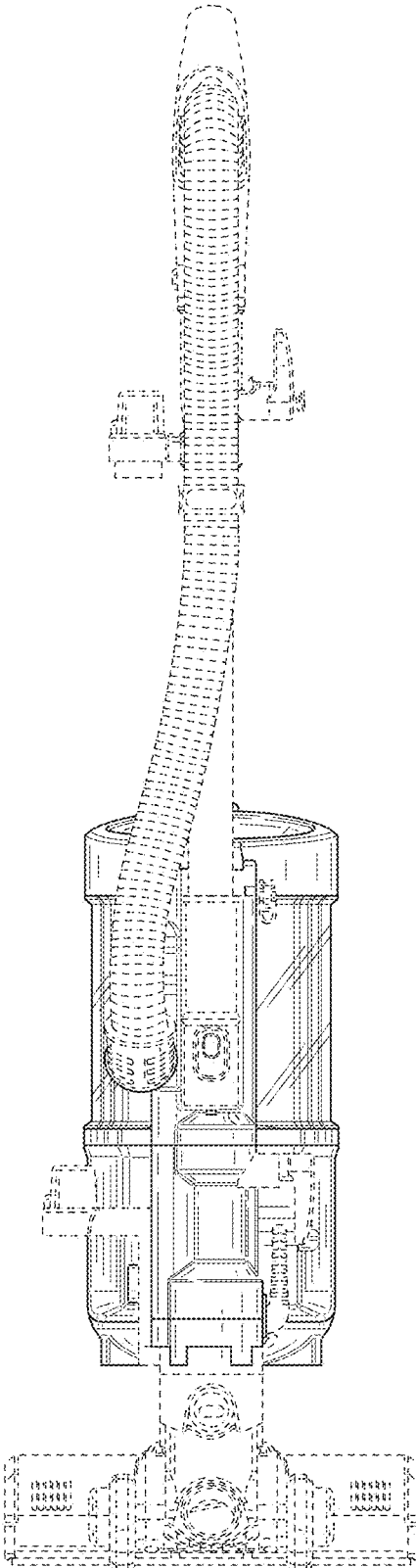


FIG. 10

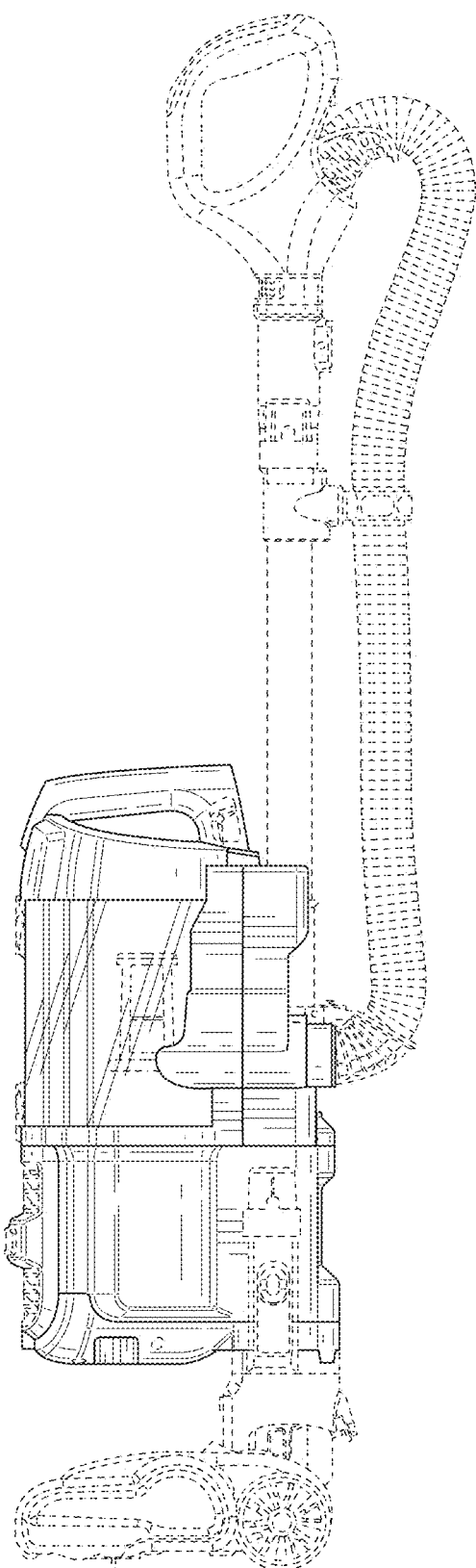


FIG. 11

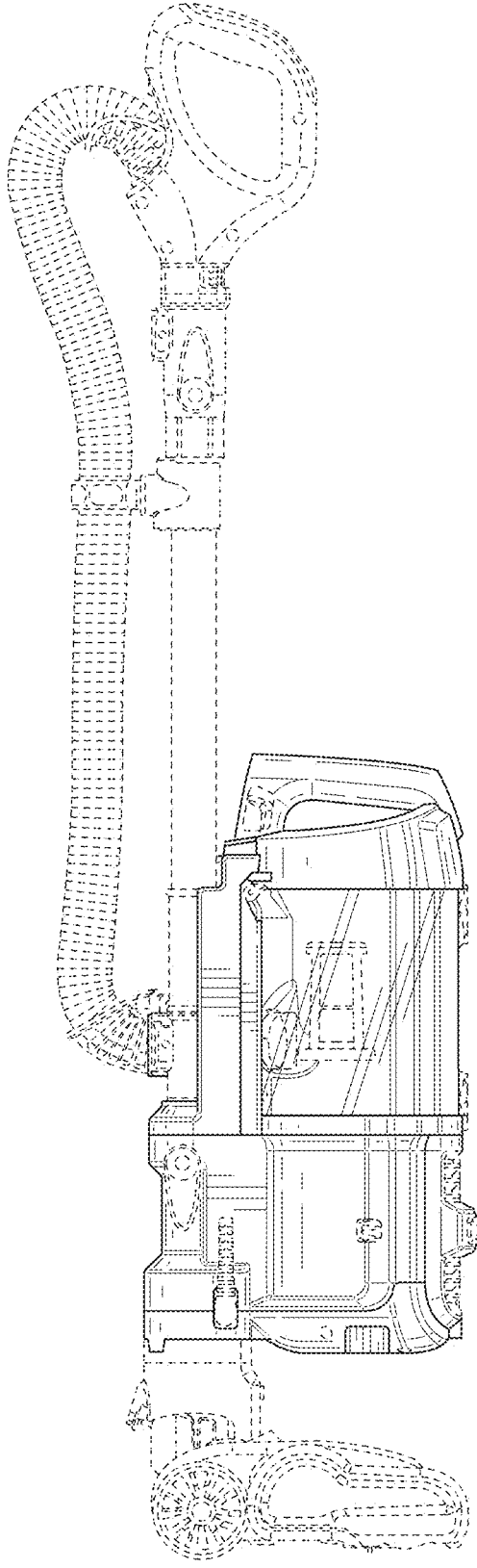


FIG. 12

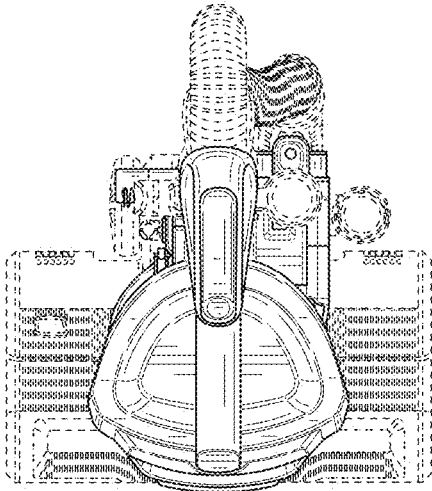


FIG. 13

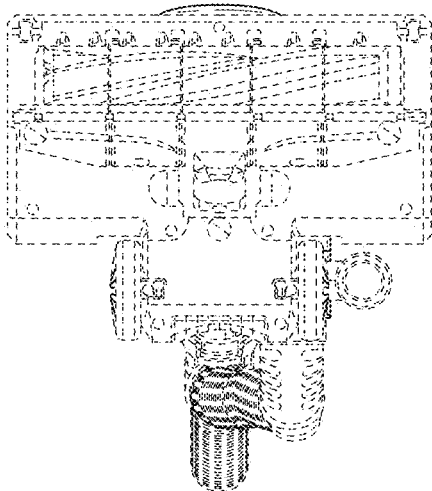


FIG. 14