



US00D514570S

(12) **United States Design Patent**
Ohta

(10) **Patent No.:** **US D514,570 S**

(45) **Date of Patent:** **** Feb. 7, 2006**

(54) **REGION OF A FINGERPRINT SCANNING
DEVICE WITH AN ILLUMINATED RING**

(75) Inventor: **Seiya Ohta**, Issaquah, WA (US)

(73) Assignee: **Microsoft Corporation**, Redmond, WA (US)

(**) Term: **14 Years**

(21) Appl. No.: **29/208,012**

(22) Filed: **Jun. 24, 2004**

(51) **LOC (8) Cl.** **14-02**

(52) **U.S. Cl.** **D14/384**

(58) **Field of Classification Search** D14/383-385,
D14/345, 402, 417; 382/124-126, 116, 181;
235/382, 382.5; 356/71, 237.1; 355/64, 65,
355/75, 81; 118/31.5; 283/68-70, 74, 75,
283/78

See application file for complete search history.

(56) **References Cited**

U.S. PATENT DOCUMENTS

D371,788 S	7/1996	Kenning et al.	
D397,683 S	9/1998	Sakamoto et al.	
5,920,642 A *	7/1999	Merjanian	382/126
5,943,125 A *	8/1999	King et al.	356/237.1
5,987,155 A *	11/1999	Dunn et al.	382/116
D425,881 S *	5/2000	Borza	D14/384
D429,725 S	8/2000	Morimiya	
D432,131 S	10/2000	Jones et al.	
D433,413 S	11/2000	Rozenberg et al.	
D434,764 S	12/2000	Norrilund	
D443,614 S *	6/2001	Do et al.	D14/345

6,263,090 B1 *	7/2001	Scott et al.	382/124
6,496,630 B2	12/2002	Iwai et al.	
D484,879 S	1/2004	Jones	
D487,266 S	3/2004	Morimiya	
D492,311 S	6/2004	Suzuki	
2002/0154796 A1	10/2002	Helot et al.	
2003/0103686 A1	6/2003	Ogura	
2004/0101172 A1	5/2004	Lane	
2004/0179723 A1	9/2004	Sano et al.	
2004/0184641 A1	9/2004	Nagasaka et al.	
2004/0201573 A1	10/2004	Yu et al.	
2004/0208346 A1	10/2004	Baharav et al.	

* cited by examiner

Primary Examiner—Freda S. Nunn

(74) *Attorney, Agent, or Firm*—Banner & Witcoff, Ltd.

(57) **CLAIM**

The ornamental design for a region of a fingerprint scanning device with an illuminated ring, as shown and described.

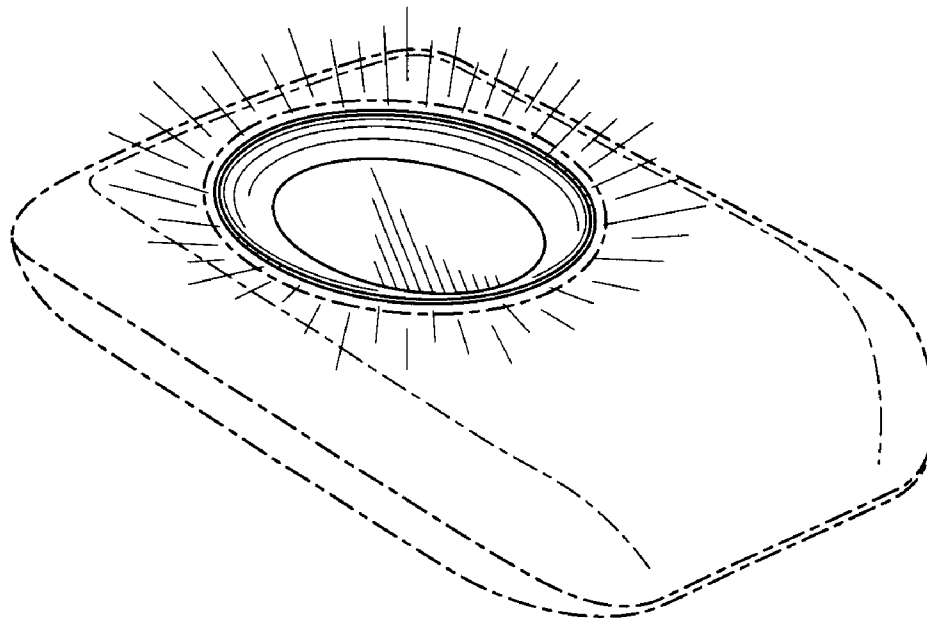
DESCRIPTION

FIG. 1 is a top perspective view of a region of a fingerprint scanning device with an illuminated ring showing my new design; and,

FIG. 2 is a top plan view thereof.

The uneven broken line oval in the Figures represents an unclaimed boundary of the design. The uneven broken line showing of the remainder of the fingerprint scanning device in the Figures is for illustrative purposes only and forms no part of the claimed design. The radial lines extending outward from the outermost solid line concentric oval in the Figures represent illumination from between the two outer solid line concentric ovals in the Figures.

1 Claim, 1 Drawing Sheet



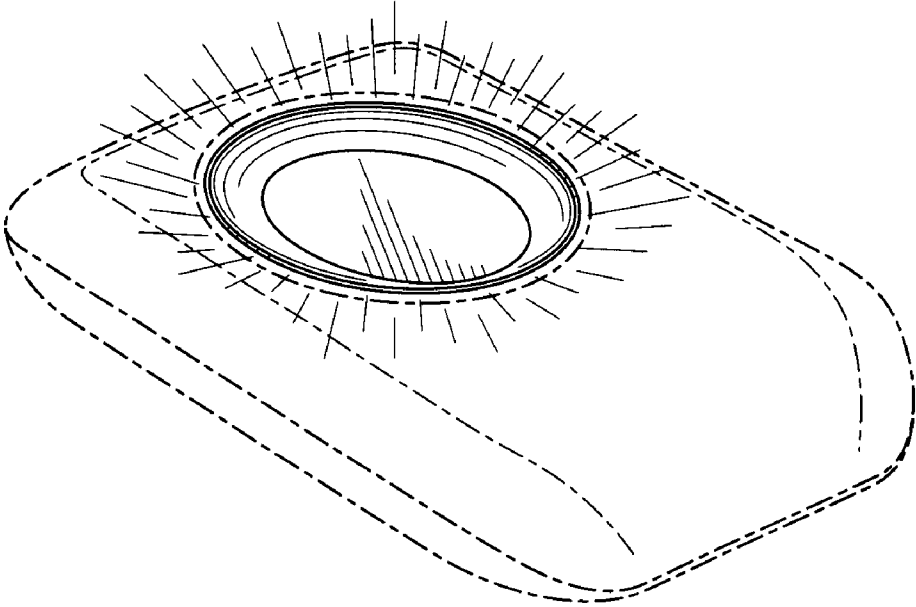


FIG. 1

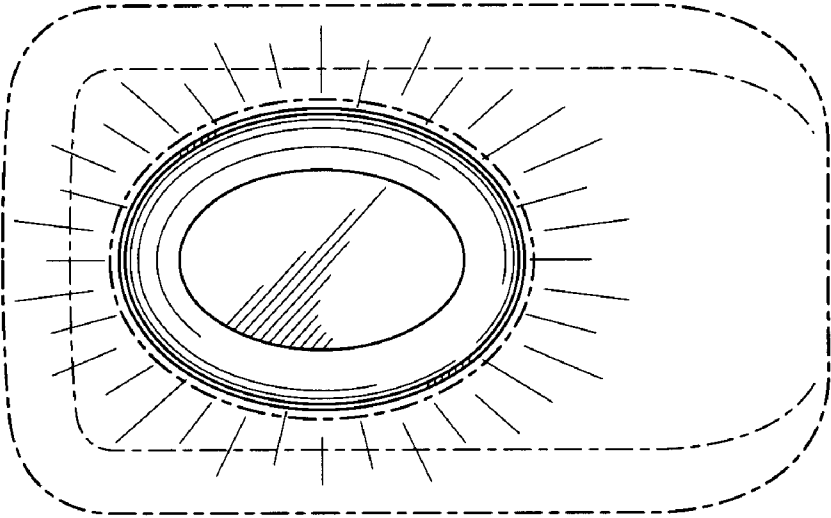


FIG. 2