

(19) World Intellectual Property
Organization
International Bureau



(43) International Publication Date
29 January 2004 (29.01.2004)

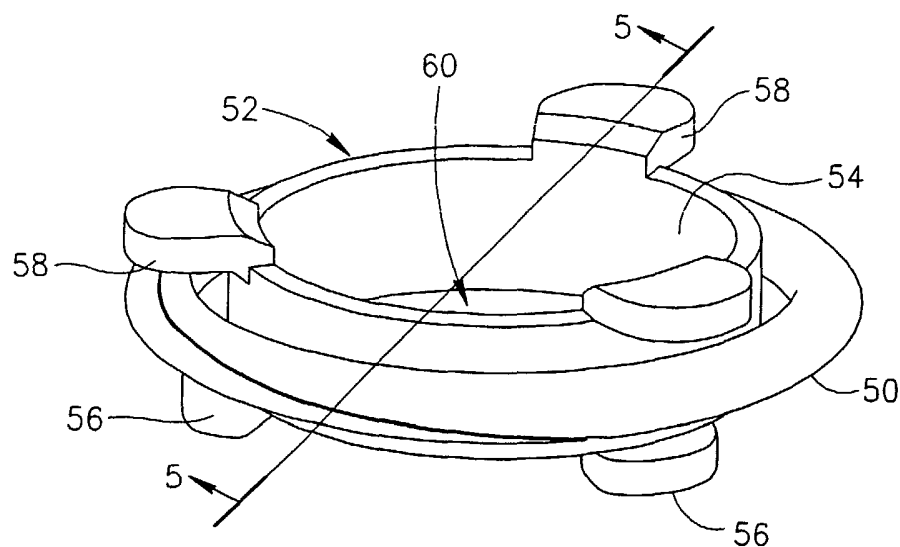
PCT

(10) International Publication Number
WO 2004/008936 A3

- (51) International Patent Classification⁷: **A61B 17/08**, 17/10
- (21) International Application Number: PCT/IL2003/000596
- (22) International Filing Date: 21 July 2003 (21.07.2003)
- (25) Filing Language: English
- (26) Publication Language: English
- (30) Priority Data:
150855 22 July 2002 (22.07.2002) IL
10/237,359 9 September 2002 (09.09.2002) US
- (71) Applicant (for all designated States except US): **NITI MEDICAL TECHNOLOGIES LTD.** [IL/IL]; P.O. Box 8634, Sappir Business & Technology Park, 42506 Netanya (IL).
- (72) Inventors; and
- (75) Inventors/Applicants (for US only): **MONASSEVITCH, Leonid** [IL/IL]; 6 Boaron St. Apt. A/18, 38303 Givat Olga (IL). **SPENSER, Benjamin** [IL/IL]; 42 Topaz Street, P.O. Box 4131, 38900 Caesarea (IL). **ARAD, Michael** [IL/IL]; 32 Remez St., 62192 Tel-Aviv (IL). **NE'EMAN, Ronen** [IL/IL]; 6 Hana Senesh St., 53454 Givataim (IL).
- (74) Agent: **JEREMY M. BEN-DAVID & CO. LTD.**; Har Hotzvim Hi-Tech Park, P.O. Box 45087, 91450 Jerusalem (IL).
- (81) Designated States (national): AE, AG, AL, AM, AT, AU, AZ, BA, BB, BG, BR, BY, BZ, CA, CH, CN, CO, CR, CU, CZ, DE, DK, DM, DZ, EC, EE, ES, FI, GB, GD, GE, GH, GM, HR, HU, ID, IL, IN, IS, JP, KE, KG, KP, KR, KZ, LC, LK, LR, LS, LT, LU, LV, MA, MD, MG, MK, MN, MW, MX, MZ, NI, NO, NZ, OM, PG, PH, PL, PT, RO, RU, SC, SD, SE, SG, SK, SL, SY, TJ, TM, TN, TR, TT, TZ, UA, UG, US, UZ, VC, VN, YU, ZA, ZM, ZW.
- (84) Designated States (regional): ARIPO patent (GH, GM, KE, LS, MW, MZ, SD, SL, SZ, TZ, UG, ZM, ZW), Eurasian patent (AM, AZ, BY, KG, KZ, MD, RU, TJ, TM), European patent (AT, BE, BG, CH, CY, CZ, DE, DK, EE, ES, FI, FR, GB, GR, HU, IE, IT, LU, MC, NL, PT, RO, SE, SI, SK, TR), OAPI patent (BF, BJ, CF, CG, CI, CM, GA, GN, GQ, GW, ML, MR, NE, SN, TD, TG).
- Published:**
— with international search report
— before the expiration of the time limit for amending the claims and to be republished in the event of receipt of amendments
- (88) Date of publication of the international search report: 15 July 2004

[Continued on next page]

(54) Title: ANASTOMOSIS RING APPLIER



(57) Abstract: An anastomosis ring (50) and support member (56) is disclosed. The ring is made of shape memory material and is deployed by using a clip deplore as herein disclosed. The tool is designed to effect an anastomosis of a tubular opening in an end-to-end fashion. The ring generally resembles a wound wire. The tool is designed to be used on a hollow body organ such as the intestines.

WO 2004/008936 A3



For two-letter codes and other abbreviations, refer to the "Guidance Notes on Codes and Abbreviations" appearing at the beginning of each regular issue of the PCT Gazette.

INTERNATIONAL SEARCH REPORT

International application No.
PCT/IL03/00596

A. CLASSIFICATION OF SUBJECT MATTER
 IPC(7) : A61B 17/08, 17/10
 US CL : 606/151 606/153 606/142
 According to International Patent Classification (IPC) or to both national classification and IPC

B. FIELDS SEARCHED
 Minimum documentation searched (classification system followed by classification symbols)
 U.S. : 606/151 606/153 606/142

Documentation searched other than minimum documentation to the extent that such documents are included in the fields searched

Electronic data base consulted during the international search (name of data base and, where practicable, search terms used)

C. DOCUMENTS CONSIDERED TO BE RELEVANT

Category *	Citation of document, with indication, where appropriate, of the relevant passages	Relevant to claim No.
X	US 2002/0022853 A1 (SWANSON et al.) 21 February 2002 (21.02.2002), paragraphs 10-14.	1-21
X	US 2002/0055752 A1 (SCHRAFT et al) 09 May 2002 (09.05.02), paragraphs 77-83.	1-21
X	US 6,402,765 B1 (MONASSEVITCH et al) 11 June 2002 (11.06.2002), abstract..	1-3

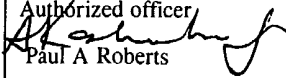
Further documents are listed in the continuation of Box C. See patent family annex.

* Special categories of cited documents:		
"A" document defining the general state of the art which is not considered to be of particular relevance	"T"	later document published after the international filing date or priority date and not in conflict with the application but cited to understand the principle or theory underlying the invention
"E" earlier application or patent published on or after the international filing date	"X"	document of particular relevance; the claimed invention cannot be considered novel or cannot be considered to involve an inventive step when the document is taken alone
"L" document which may throw doubts on priority claim(s) or which is cited to establish the publication date of another citation or other special reason (as specified)	"Y"	document of particular relevance; the claimed invention cannot be considered to involve an inventive step when the document is combined with one or more other such documents, such combination being obvious to a person skilled in the art
"O" document referring to an oral disclosure, use, exhibition or other means		
"P" document published prior to the international filing date but later than the priority date claimed	"&"	document member of the same patent family

Date of the actual completion of the international search
01 March 2004 (01.03.2004)

Date of mailing of the international search report
09 JUN 2004

Name and mailing address of the ISA/US
 Mail Stop PCT, Attn: ISA/US
 Commissioner for Patents
 P.O. Box 1450
 Alexandria, Virginia 22313-1450
 Facsimile No. (703) 305-3230

Authorized officer

 Paul A Roberts
 Telephone No. (703) 308-0858