



US00D997409S

(12) **United States Design Patent**  
**Yu**

(10) **Patent No.:** **US D997,409 S**

(45) **Date of Patent:** **\*\* Aug. 29, 2023**

(54) **RECHARGEABLE SPOTLIGHT**

(71) Applicant: **Jiaxiu Yu**, Guigang (CN)

(72) Inventor: **Jiaxiu Yu**, Guigang (CN)

(\*\*) Term: **15 Years**

(21) Appl. No.: **29/848,012**

(22) Filed: **Jul. 29, 2022**

(51) **LOC (14) Cl.** ..... **26-02**

(52) **U.S. Cl.**  
USPC ..... **D26/45**

(58) **Field of Classification Search**  
USPC ..... D26/37-52; D10/111-115  
CPC . F21L 2001/00; F21L 4/02; F21L 4/04; F21L  
4/005; F21L 4/022; F21L 4/045; F21L  
4/085; F21L 21/00; F21L 14/02; F21L  
14/023

See application file for complete search history.

(56) **References Cited**

**U.S. PATENT DOCUMENTS**

D231,483 S *	4/1974	Beer	.....	D26/48
D245,282 S *	8/1977	Brinkmann	.....	D26/45
D378,818 S *	4/1997	Yuen	.....	D26/38
D378,819 S *	4/1997	Yuen	.....	D10/2
5,911,497 A *	6/1999	Mele	.....	F21L 2/00 362/202
6,056,414 A *	5/2000	Krieger	.....	F21L 2/00 362/399
D429,013 S *	8/2000	Poon	.....	D26/45
D431,662 S *	10/2000	Krieger	.....	D26/45
D436,200 S *	1/2001	Cheong	.....	D26/45
D486,259 S *	2/2004	Crawford	.....	D26/46
D491,303 S *	6/2004	Shen	.....	D26/45
D561,923 S *	2/2008	Hsu	.....	D26/45
D566,870 S *	4/2008	Yuen	.....	D26/45
D621,979 S *	8/2010	Hesse	.....	D26/45
D629,938 S *	12/2010	Yuen	.....	D26/45
D634,462 S *	3/2011	Baker	.....	D26/45
D649,273 S *	11/2011	Baker	.....	D26/45

D653,386 S *	1/2012	Rose	.....	D26/128
D683,490 S *	5/2013	Lee	.....	D26/45
D718,481 S *	11/2014	Lee	.....	D26/45
D737,489 S *	8/2015	Russell	.....	D26/50
D752,795 S *	3/2016	Jigamian	.....	D26/50

(Continued)

**FOREIGN PATENT DOCUMENTS**

CN	302458854	*	6/2013
CN	307037100	*	12/2021
CN	307074325	*	1/2022

**OTHER PUBLICATIONS**

“Bercol Rechargeable Spotlight,” Jun. 25, 2022, amazon.com, site visited Nov. 29, 2022, URL: <https://www.amazon.com/dp/B0B53GP63V/> (Year: 2022).\*

(Continued)

*Primary Examiner* — Lauren D McVey

*Assistant Examiner* — Sarah L Smith

(74) *Attorney, Agent, or Firm* — Jeenam Park

(57) **CLAIM**

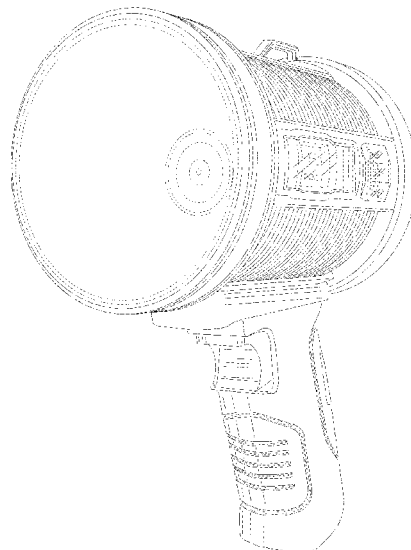
The ornamental design for a rechargeable spotlight, as shown and described.

**DESCRIPTION**

FIG. 1 is a perspective view of a rechargeable spotlight, showing my new design;  
FIG. 2 is a front view thereof;  
FIG. 3 is a rear view thereof;  
FIG. 4 is a left side view thereof;  
FIG. 5 is a right side view thereof;  
FIG. 6 is a top plan view thereof; and,  
FIG. 7 is a bottom plan view thereof.

The broken lines shown in the drawings illustrate portions of the rechargeable spotlight that form no part of the claimed design.

**1 Claim, 7 Drawing Sheets**



(56)

**References Cited**

U.S. PATENT DOCUMENTS

D833,049 S \* 11/2018 Yu ..... D26/45  
D896,420 S \* 9/2020 Inskeep ..... F21V 14/065  
D26/45  
D984,701 S \* 4/2023 Yu ..... D26/45  
2015/0252983 A1\* 9/2015 Lee ..... F21V 14/065  
362/109

OTHER PUBLICATIONS

102 "Milaoshu Rechargeable Spotlight," Jul. 4, 2022, amazon.com, site visited Nov. 29, 2022, URL: [https://www.amazon.com/MILAOSHU-Rechargeable-Flashlights-Searchlight-Emergencies/dp/B0B5R7VG8C?source=ps-sl-shoppingads-lpcontext&ref\\_=fplfs&smid=A30IKX8YJ6HEEJ&th=1](https://www.amazon.com/MILAOSHU-Rechargeable-Flashlights-Searchlight-Emergencies/dp/B0B5R7VG8C?source=ps-sl-shoppingads-lpcontext&ref_=fplfs&smid=A30IKX8YJ6HEEJ&th=1) (Year: 2022).\*

\* cited by examiner

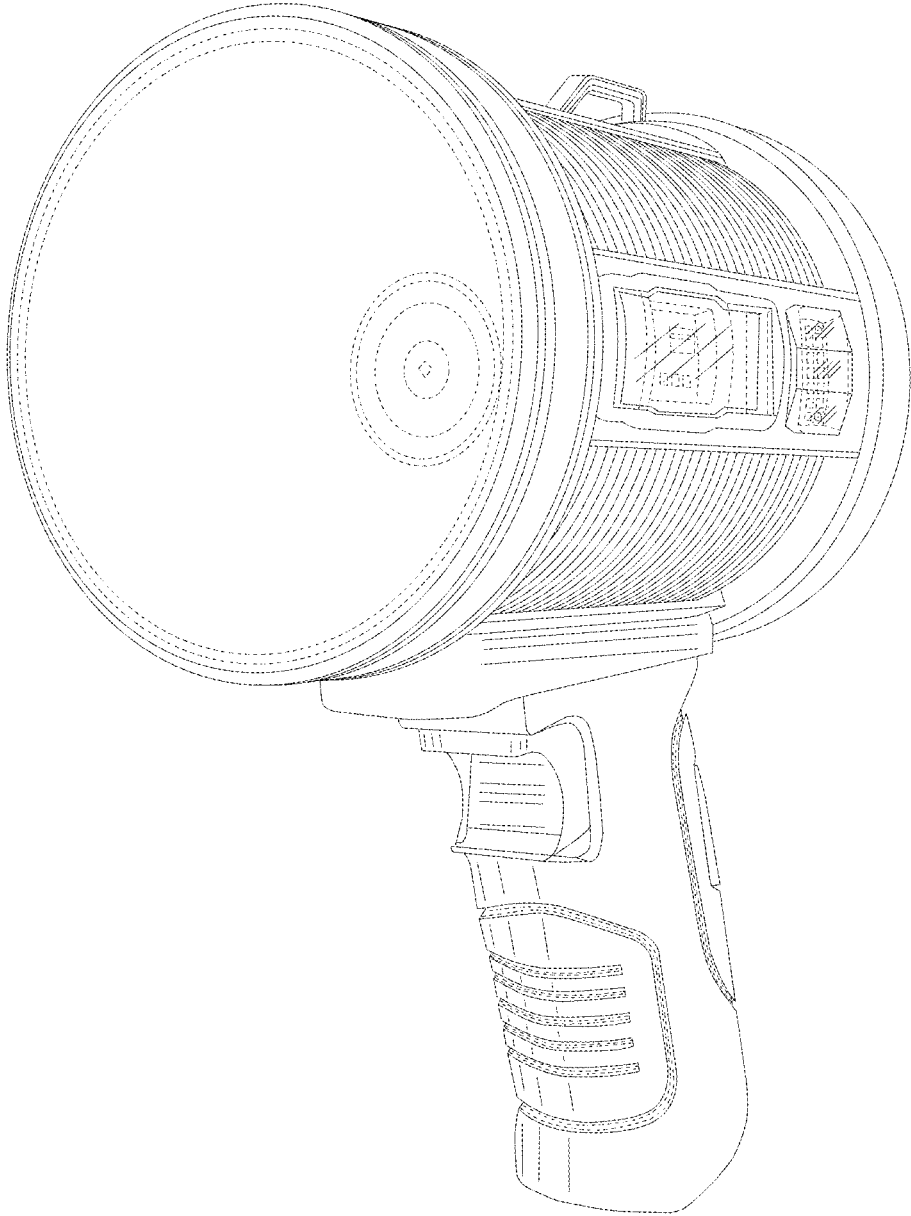


FIG. 1

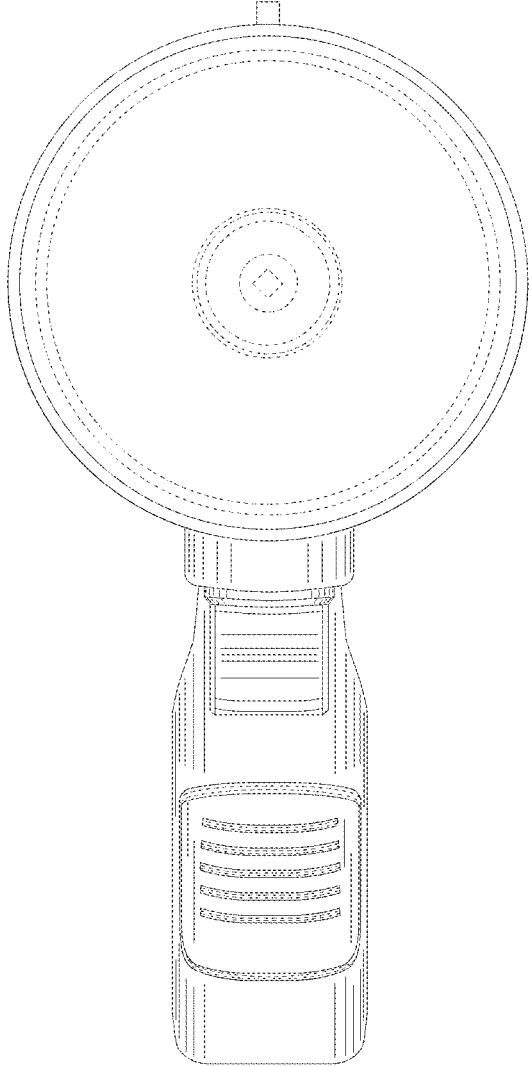


FIG. 2

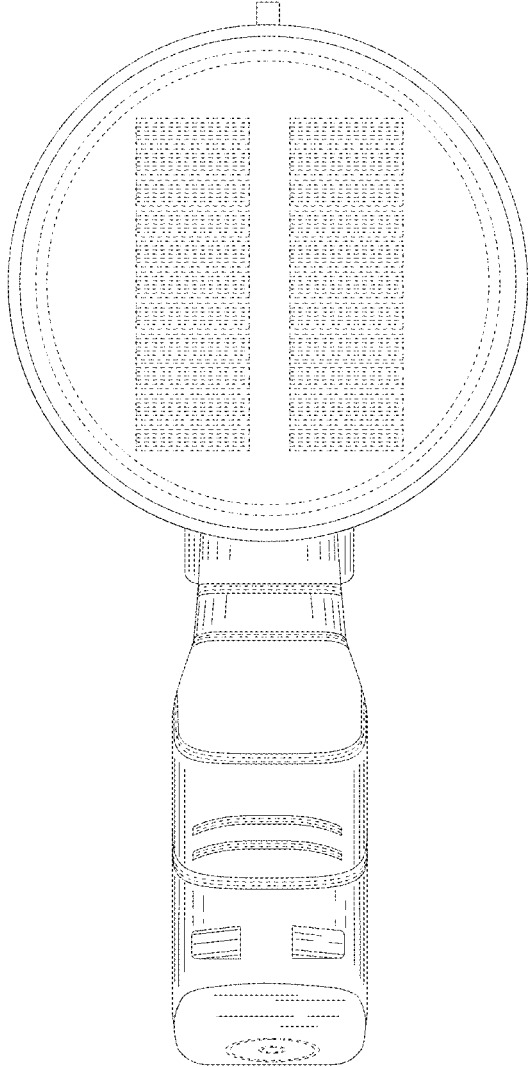


FIG. 3

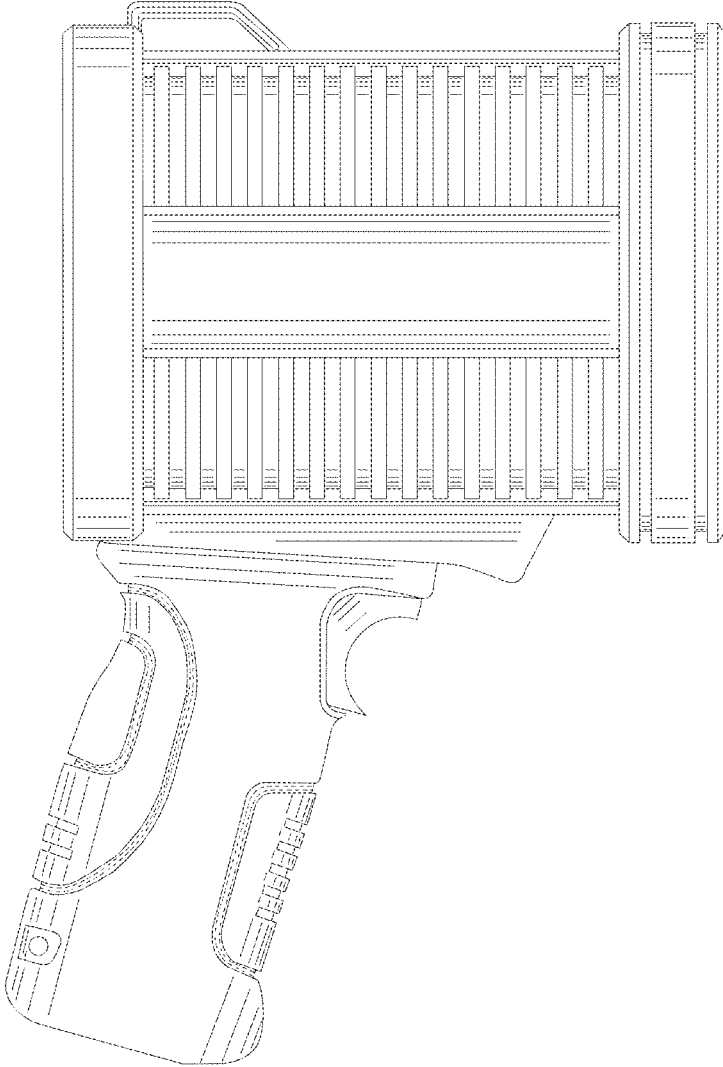


FIG. 4

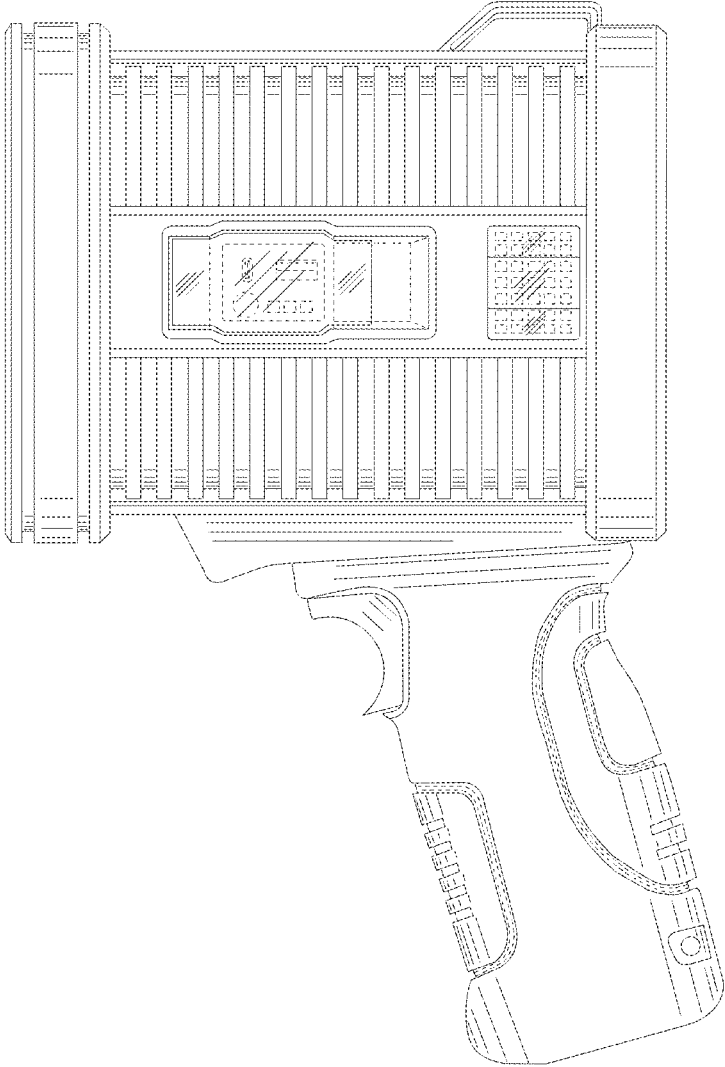


FIG. 5

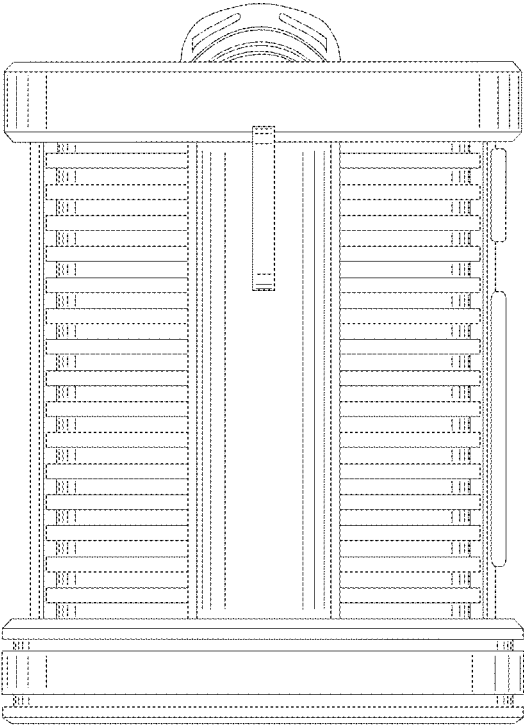


FIG. 6

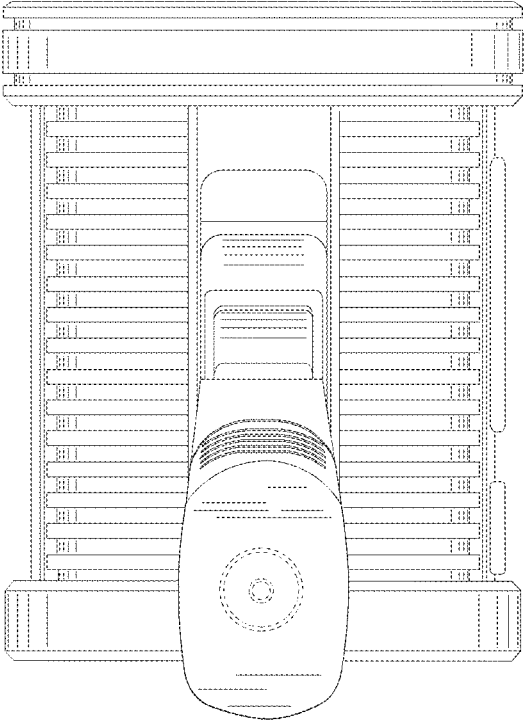


FIG. 7