



US00D730468S

(12) **United States Design Patent**
Nay

(10) **Patent No.:** **US D730,468 S**

(45) **Date of Patent:** **** May 26, 2015**

- (54) **LONGBOARD WHEEL**
- (71) Applicant: **Chauncey L. Nay**, St. George, UT (US)
- (72) Inventor: **Chauncey L. Nay**, St. George, UT (US)
- (73) Assignee: **Chauncey L. Nay**, St. George, UT (US)
- (**) Term: **14 Years**
- (21) Appl. No.: **29/507,303**
- (22) Filed: **Oct. 27, 2014**

D517,632 S *	3/2006	Chen	D21/779
D517,633 S *	3/2006	Chen	D21/779
7,311,318 B1 *	12/2007	Funk	280/87.042
2002/0020975 A1 *	2/2002	Dahan	280/11.221

* cited by examiner

Primary Examiner — Cynthia M Chin

(74) *Attorney, Agent, or Firm* — Maschoff Brennan

(57) **CLAIM**

The ornamental design for a longboard wheel, as shown and described.

DESCRIPTION

FIG. 1 is an upper perspective view of a first embodiment of a longboard wheel, illustrating the wheels attached to an exemplary longboard;

FIG. 2 is an upper perspective view of the longboard wheel shown in FIG. 1;

FIG. 3 is a front view of the longboard wheel shown in FIG. 1;

FIG. 4 is a rear view of the longboard wheel shown in FIG. 1;

FIG. 5 is a left side view of the longboard wheel shown in FIG. 1;

FIG. 6 is a right side view of the longboard wheel shown in FIG. 1;

FIG. 7 is an upper perspective view of another embodiment of a longboard wheel;

FIG. 8 is a front view of the longboard wheel shown in FIG. 7;

FIG. 9 is a rear view of the longboard wheel shown in FIG. 7;

FIG. 10 is a left side view of the longboard wheel shown in FIG. 7; and,

FIG. 11 is a right side view of the longboard wheel shown in FIG. 7.

The broken lines shown in the figures are included for the purpose of illustrating the environment in which the article resides and forms no part of the claimed design.

1 Claim, 5 Drawing Sheets

Related U.S. Application Data

(62) Division of application No. 29/422,468, filed on May 21, 2012, now Pat. No. Des. 717,383.

(51) **LOC (10) Cl.** **21-02**

(52) **U.S. Cl.**
USPC **D21/779**

(58) **Field of Classification Search**

CPC A63C 17/00; A63C 17/01; A63C 17/04;
A63C 17/06; A63C 17/22; A63C 17/18

USPC D21/563, 761, 762, 765, 771, 779;
D12/204–213; 280/11.19, 11.215,

280/11.221–11.26, 11.28, 11.32, 87.042,
280/809, 816; 152/165; 301/5.1, 5.7,

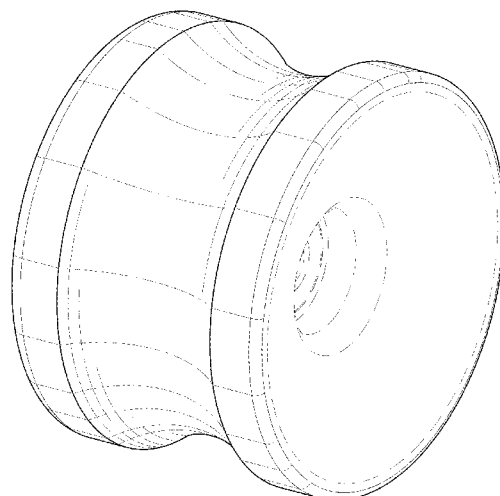
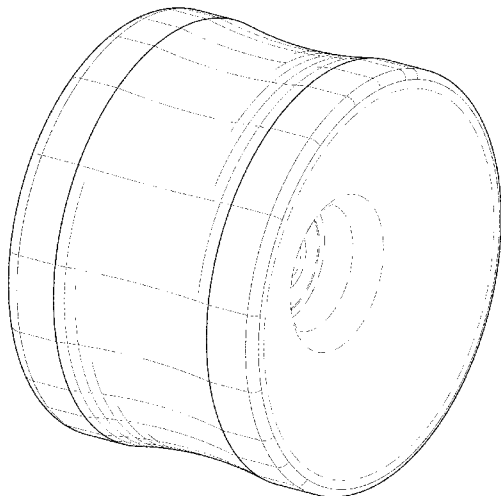
301/5.301–5.309

See application file for complete search history.

References Cited

U.S. PATENT DOCUMENTS

622,391 A *	4/1899	Rankin et al.	301/5.307
698,110 A *	4/1902	Foy	301/5.301
817,739 A *	4/1906	Loepp	301/5.1
1,542,103 A *	6/1925	Shoemaker	301/5.304
D299,733 S *	2/1989	Taminich	D21/779
4,805,934 A *	2/1989	Mullenax	280/7.12
6,290,242 B1 *	9/2001	Ludwig	280/11.233



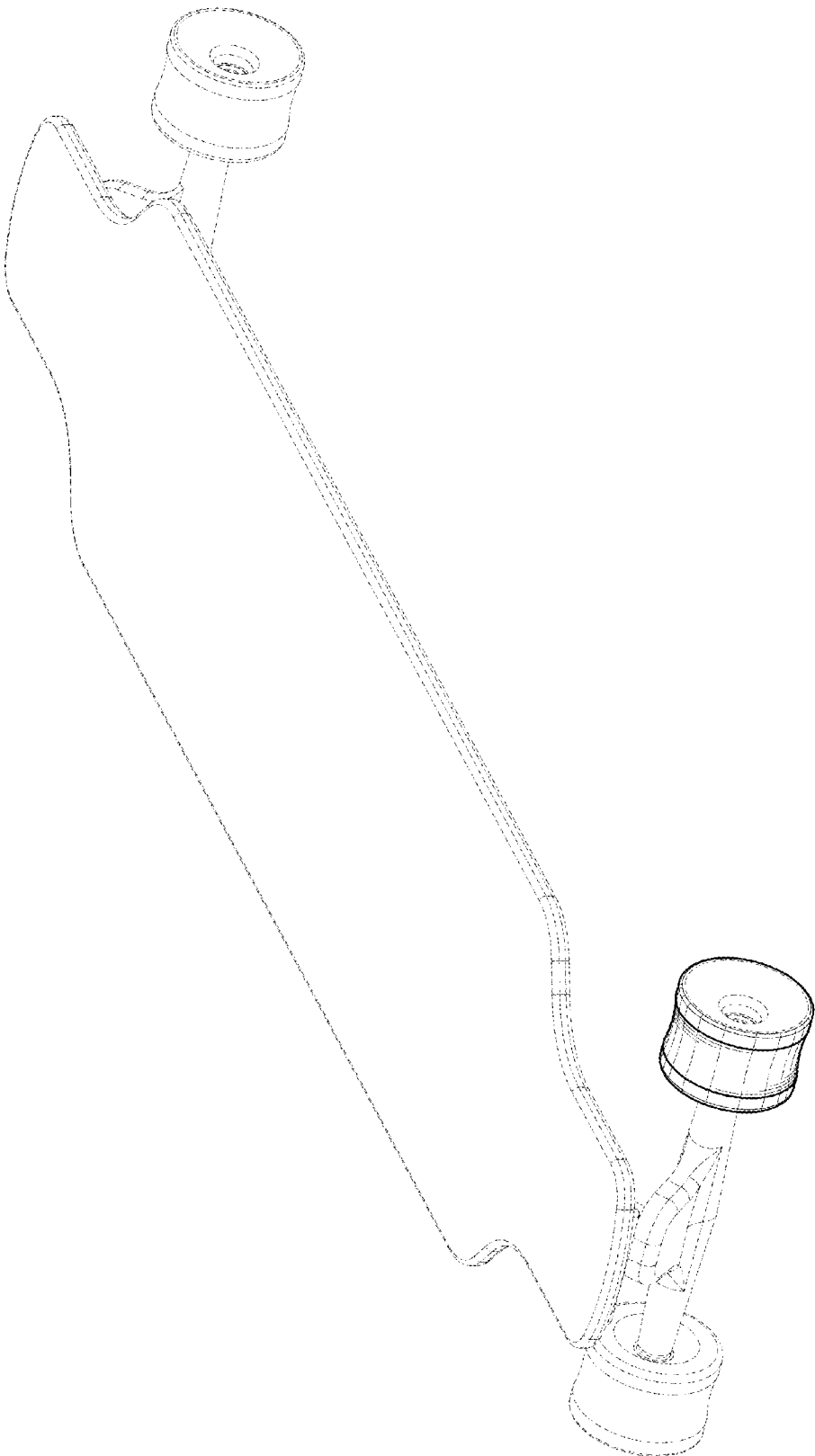


Fig. 1

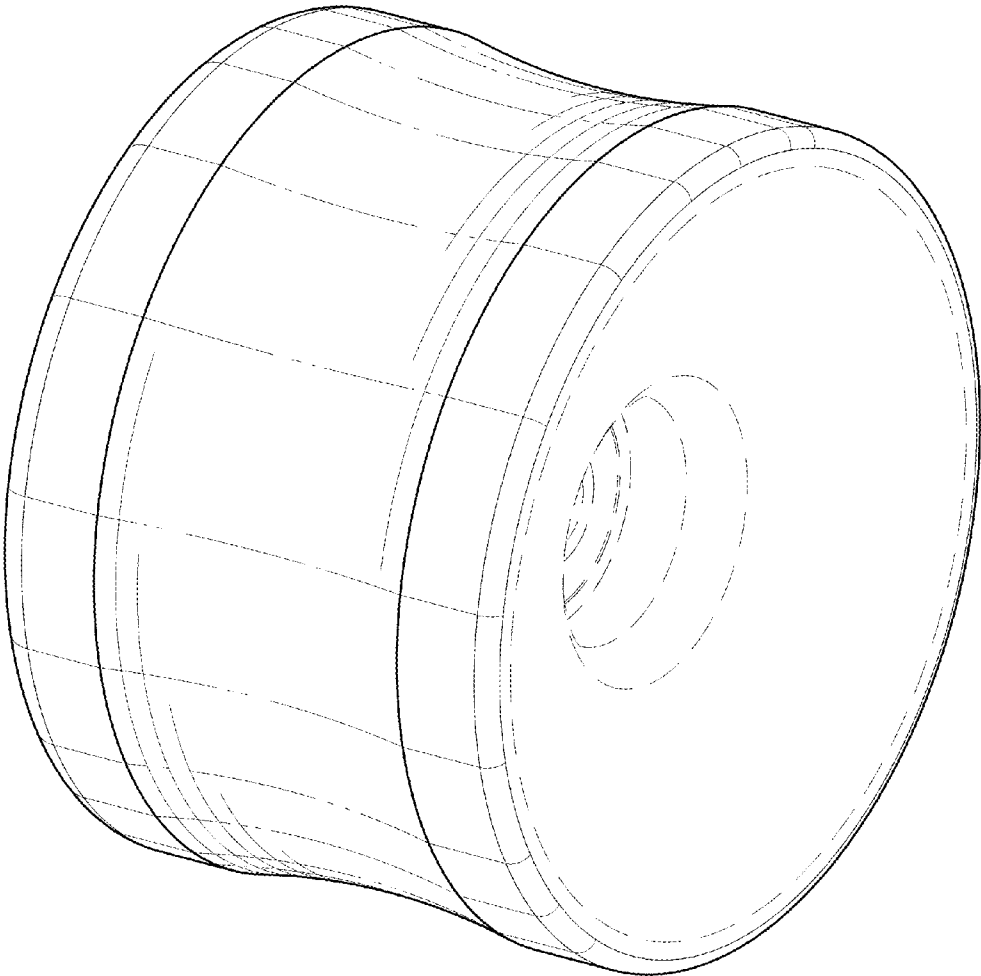


Fig. 2

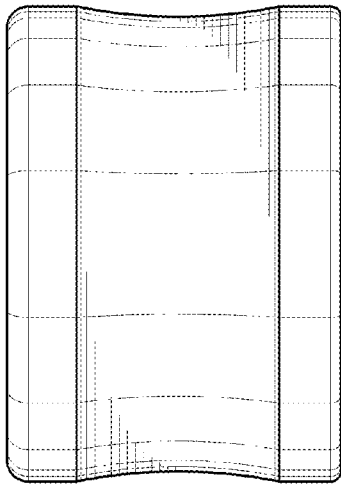


Fig. 3

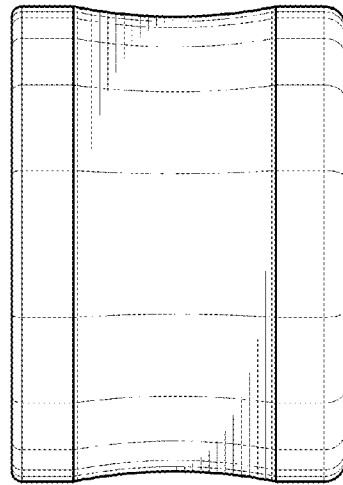


Fig. 4

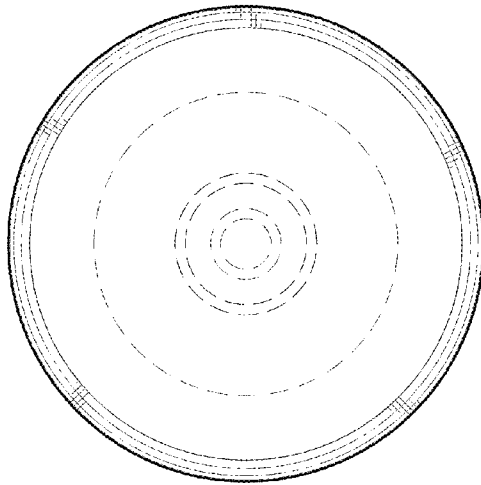


Fig. 5

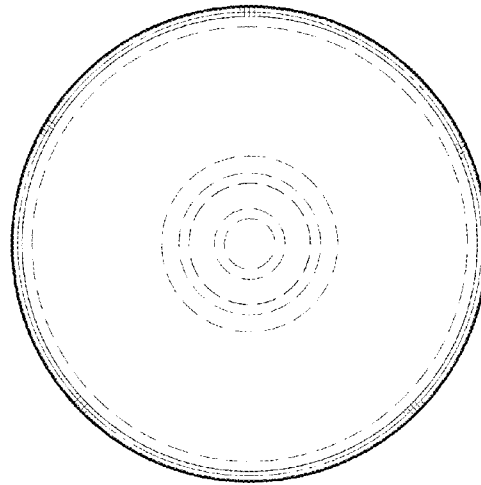


Fig. 6

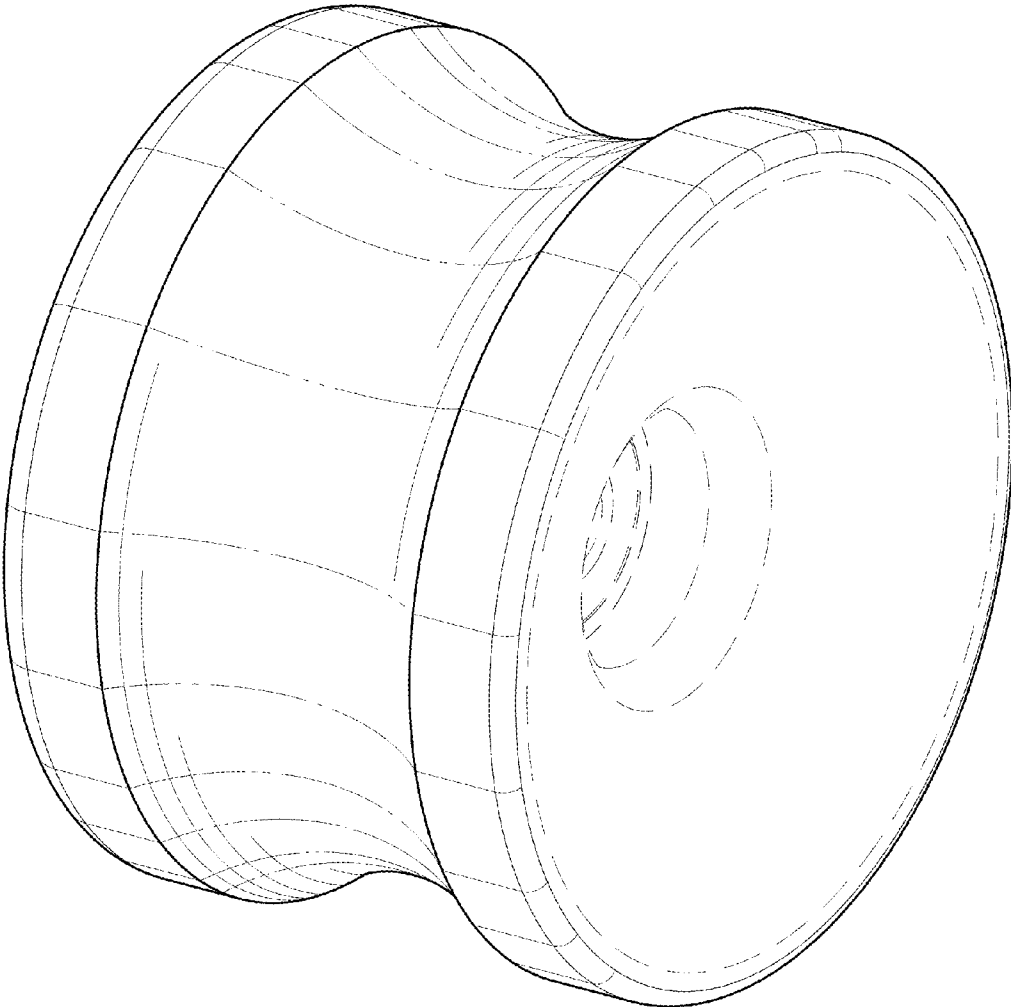


Fig. 7

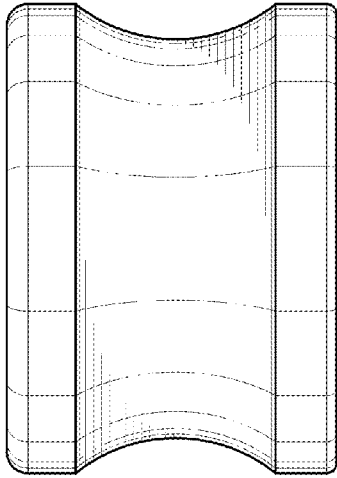


Fig. 8

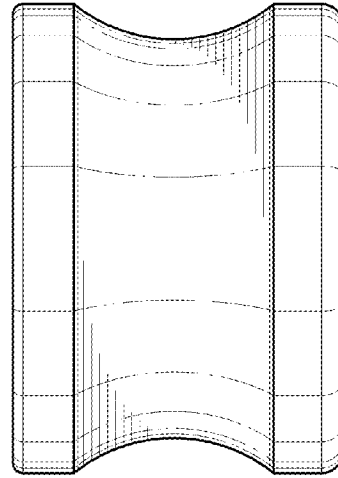


Fig. 9

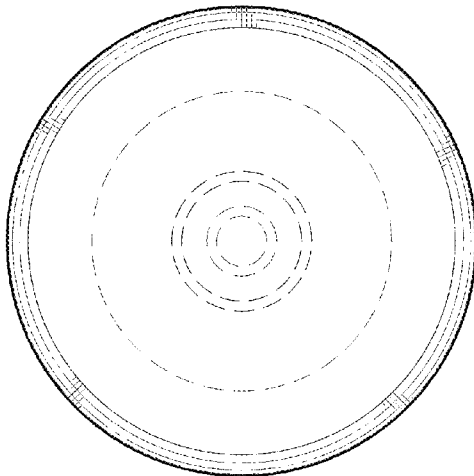


Fig. 10

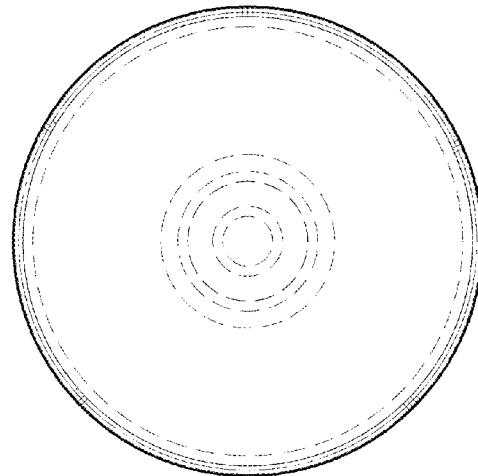


Fig. 11