



(12) **United States Design Patent**
Ye

(10) **Patent No.:** **US D1,010,100 S**
(45) **Date of Patent:** **** Jan. 2, 2024**

(54) **PROBE FOR NASAL ASPIRATORS**

(71) Applicant: **Chunling Ye, Jiangxi (CN)**

(72) Inventor: **Chunling Ye, Jiangxi (CN)**

(73) Assignee: **Chunling Ye, Ganzhou (CN)**

(**) Term: **15 Years**

(21) Appl. No.: **29/819,079**

(22) Filed: **Dec. 13, 2021**

(30) **Foreign Application Priority Data**

Jun. 11, 2021 (CN) 202121309527.4

(51) **LOC (14) Cl.** **29-02**

(52) **U.S. Cl.**
USPC **D24/108**

(58) **Field of Classification Search**
USPC D24/108, 110, 110.1, 112-115, 127, 128,
D24/129, 130, 133, 186; D9/724
CPC A61M 25/0043; A61M 25/0067; A61M
25/0097; A61M 2210/0618; A61M 1/008;
A61M 27/00; A61M 39/00; A61F 2/958
See application file for complete search history.

(56) **References Cited**

U.S. PATENT DOCUMENTS

D270,283 S *	8/1983	Goodnow	D24/110
D542,915 S *	5/2007	Bensoussan	D24/115
D594,968 S *	6/2009	Sebban	D24/108
D883,470 S *	5/2020	Wei	D24/108
D965,765 S *	10/2022	Zhang	D24/108
D969,307 S *	11/2022	Zhang	D24/115
D972,123 S *	12/2022	Chai	D24/108
D972,129 S *	12/2022	Wei	D24/115
D978,326 S *	2/2023	Ma	D24/108
D983,352 S *	4/2023	Ma	D24/108

2009/0048581 A1 *	2/2009	Sebban	A61M 1/65 604/319
2018/0369459 A1 *	12/2018	Abate	A61M 11/02
2022/0143294 A1 *	5/2022	Wei	A61M 1/64
2022/0288295 A1 *	9/2022	Pan	A61M 1/60
2022/0395625 A1 *	12/2022	Ye	A61M 1/64

* cited by examiner

Primary Examiner — Richard Kearney
Assistant Examiner — Michael Hoffman

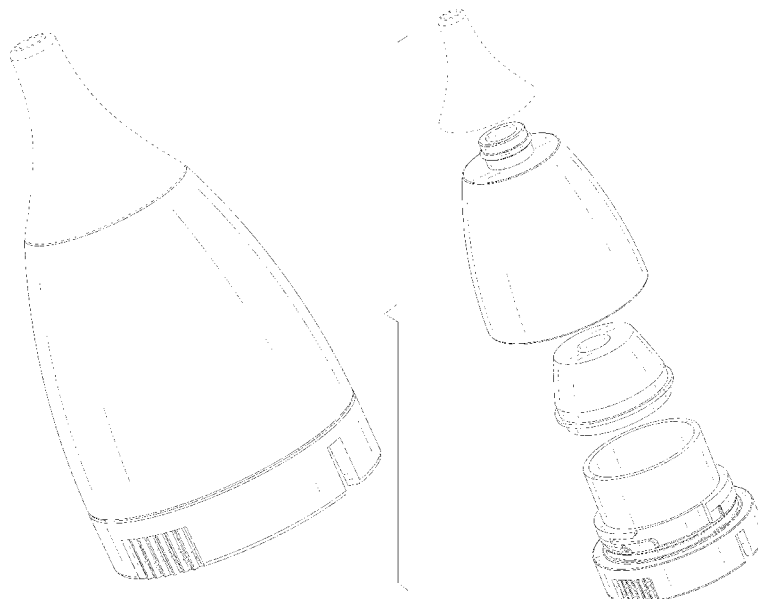
(57) **CLAIM**

The ornamental design for a probe for nasal aspirators, as shown and described.

DESCRIPTION

FIG. 1 is a perspective view of a probe for nasal aspirators embodying my new design;
 FIG. 2 is a front elevation view thereof;
 FIG. 3 is a rear elevation view thereof;
 FIG. 4 is a left side elevation view thereof;
 FIG. 5 is a right side elevation view thereof;
 FIG. 6 is a top plan view thereof;
 FIG. 7 is a bottom plan view thereof;
 FIG. 8 is a cross-sectional view thereof taken along lines 8-8 of FIG. 4;
 FIG. 9 is an exploded left side elevation view thereof;
 FIG. 10 is a cross-sectional view thereof taken along lines 10-10 of FIG. 9;
 FIG. 11 is a top exploded perspective view thereof;
 FIG. 12 is a bottom exploded perspective view thereof;
 FIG. 13 is a top perspective view thereof, showing the article in use; and,
 FIG. 14 is an exploded perspective view thereof, showing the article in use.
 The broken lines shown in the figures depict portions of the probe for nasal aspirators that form no part of the claimed design.

1 Claim, 14 Drawing Sheets



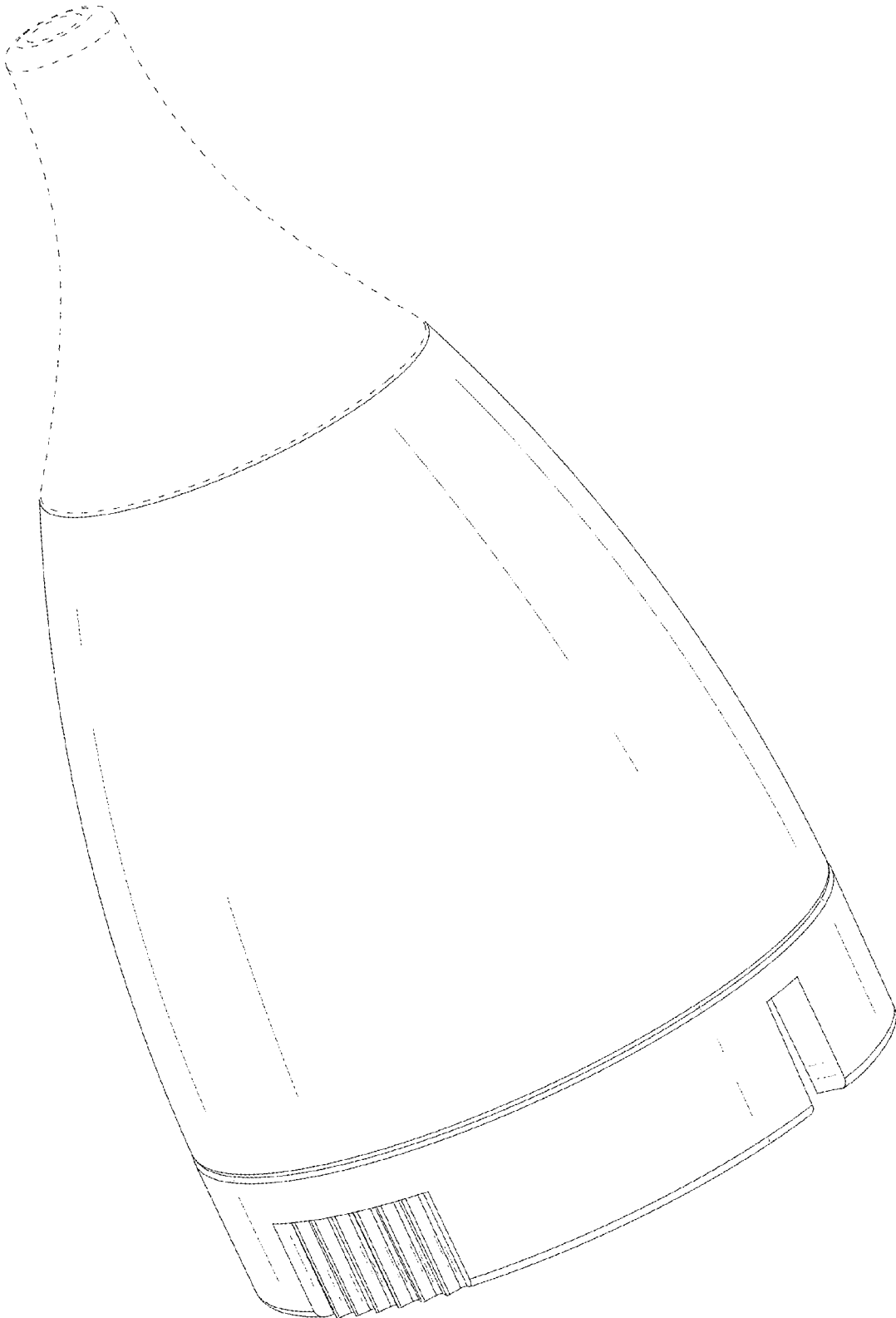


FIG.1

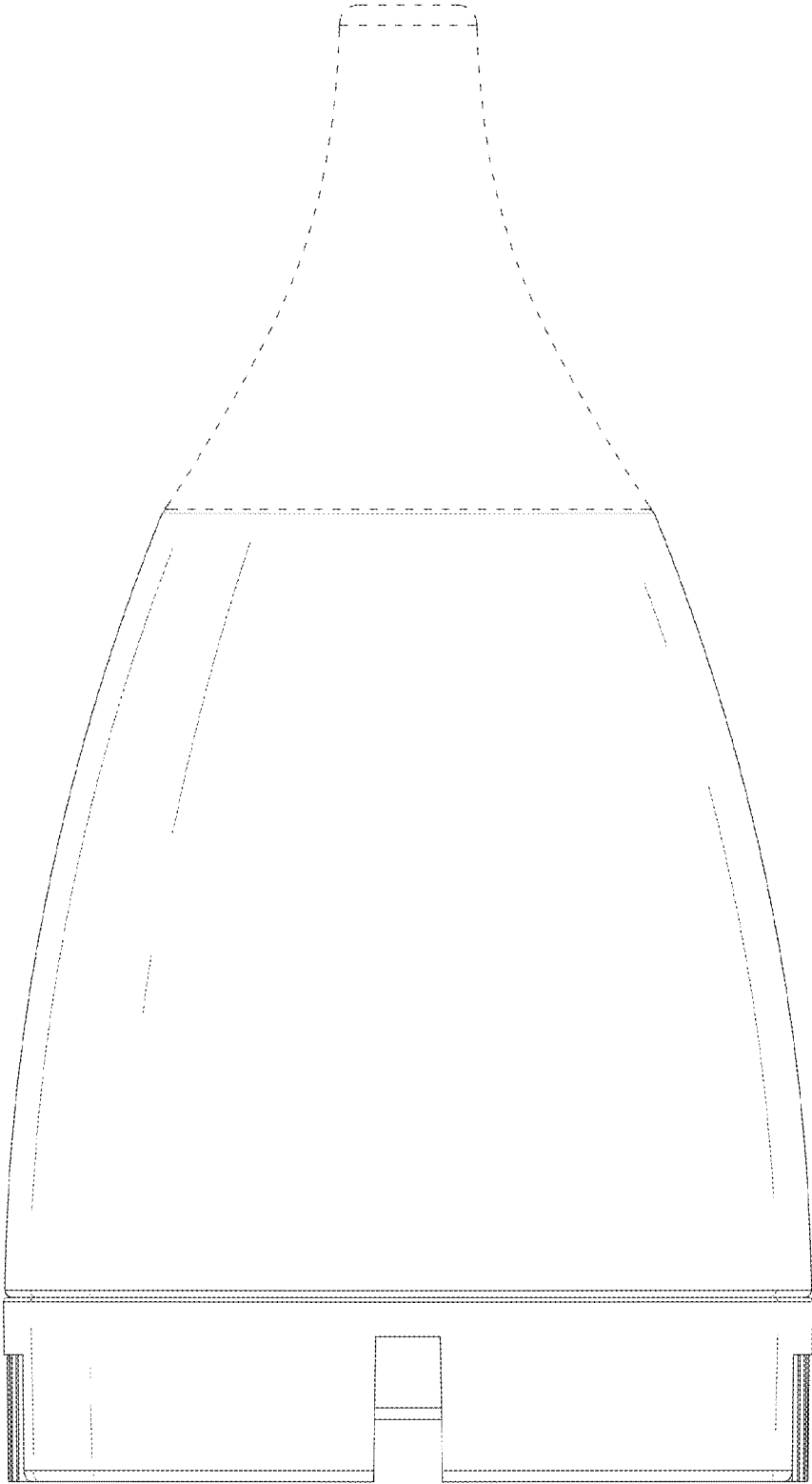


FIG.2

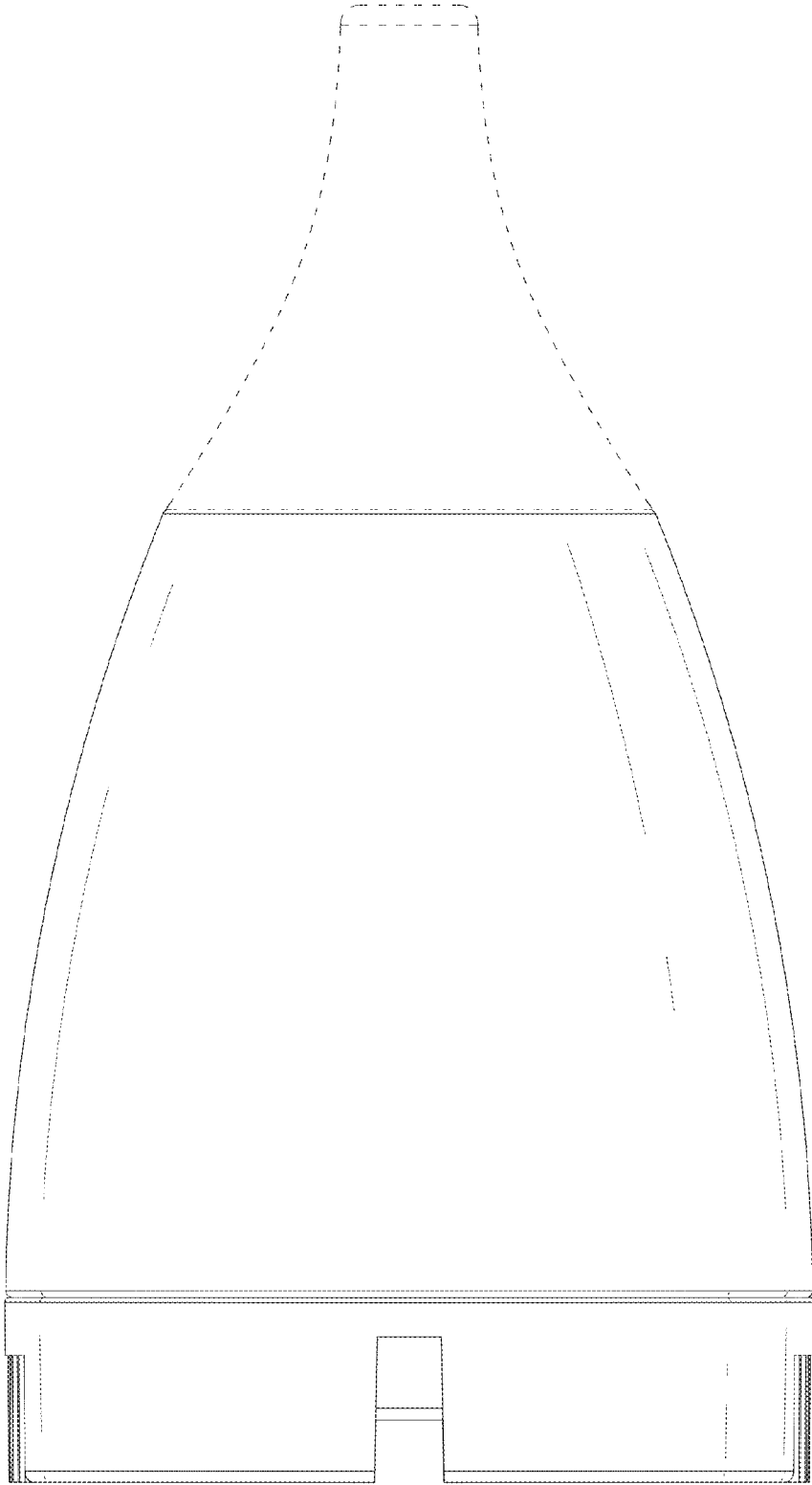


FIG.3

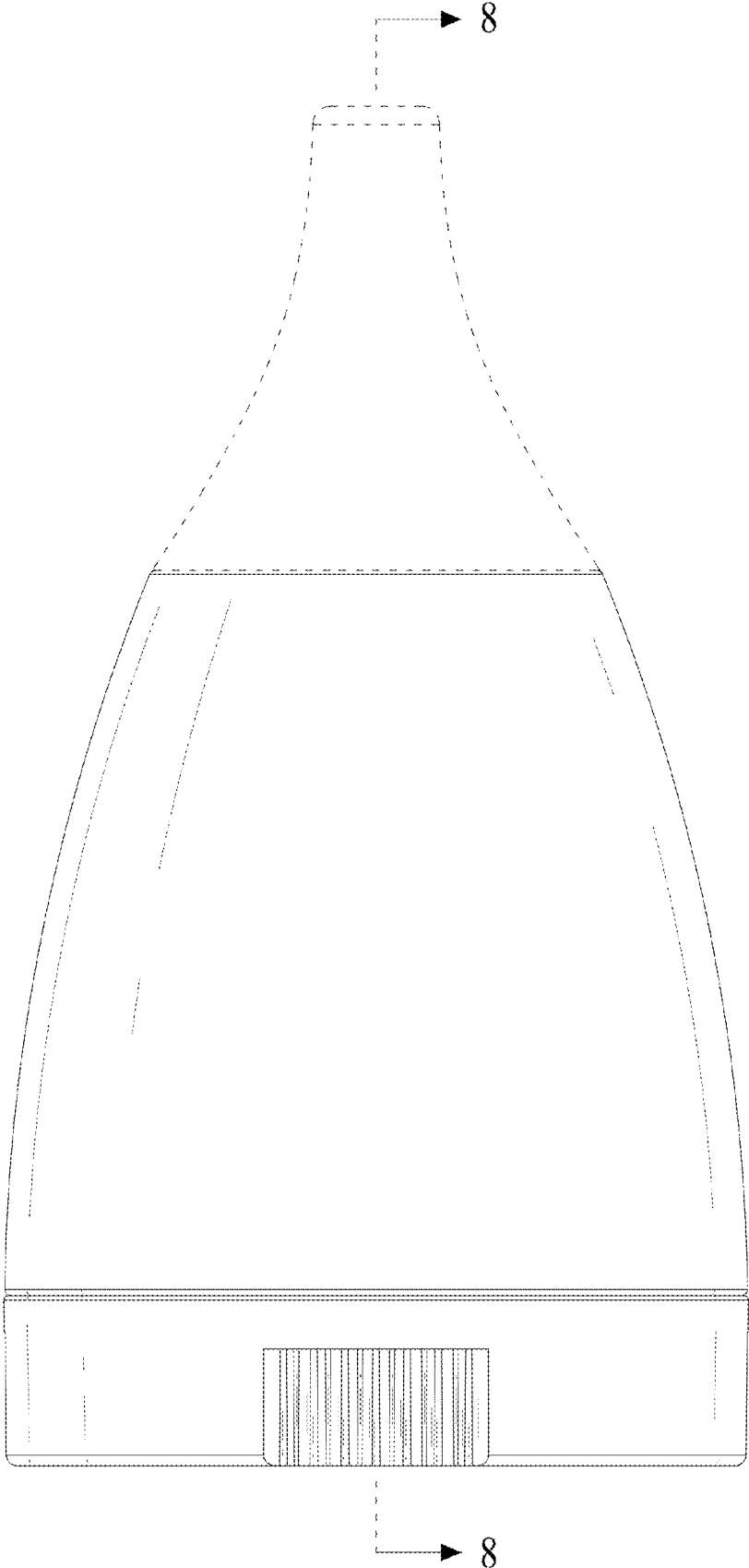


FIG.4

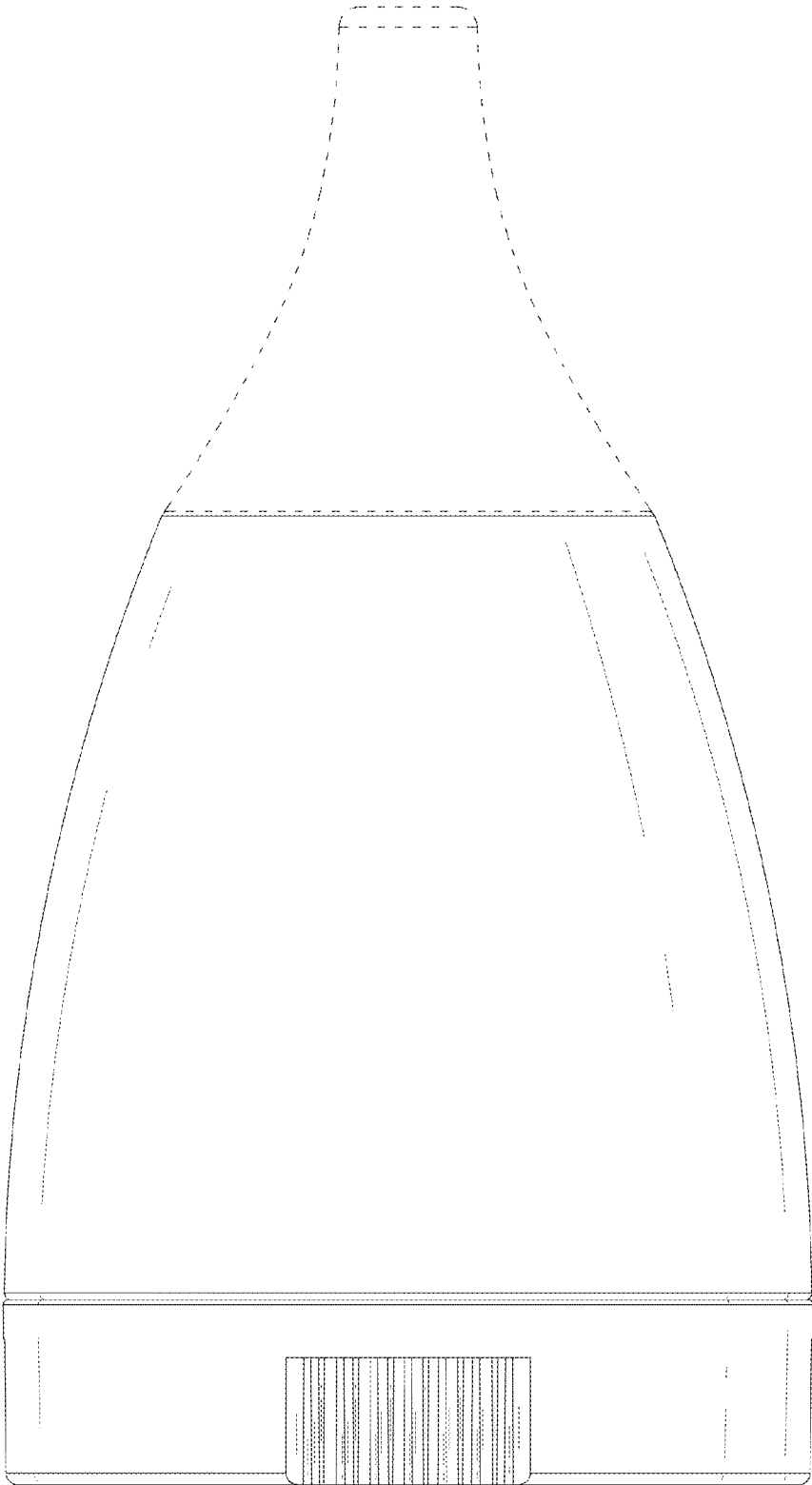


FIG.5

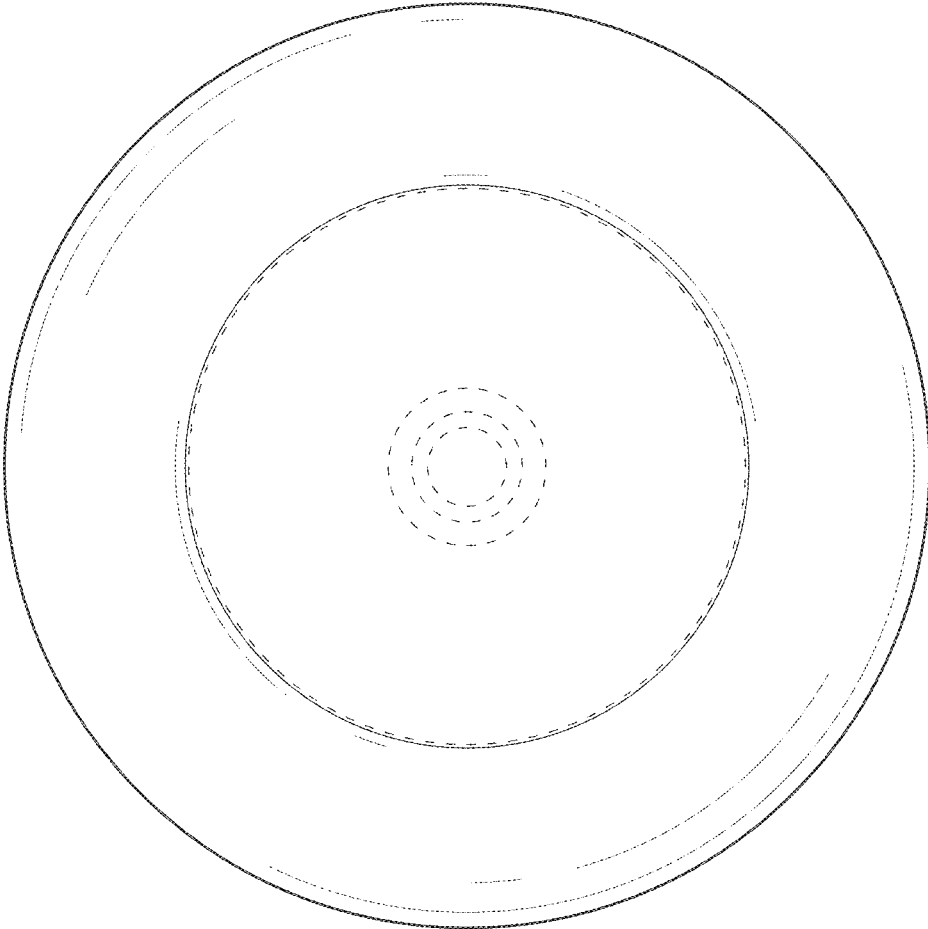


FIG.6

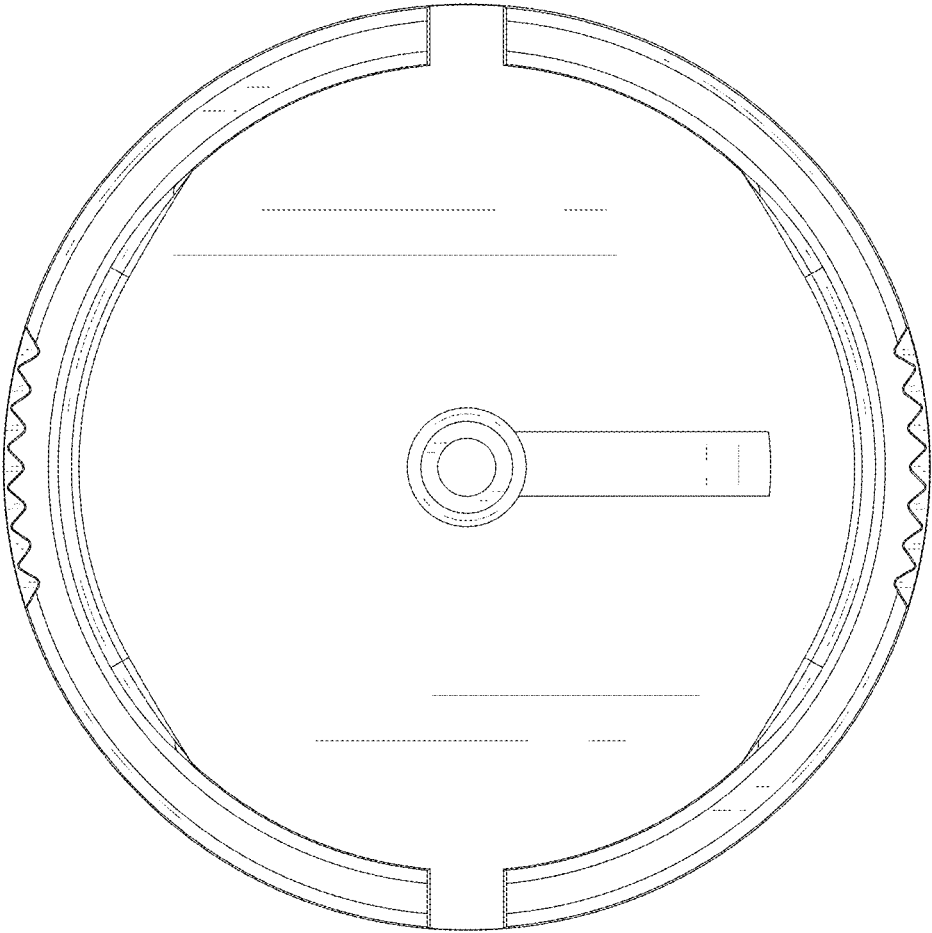


FIG.7

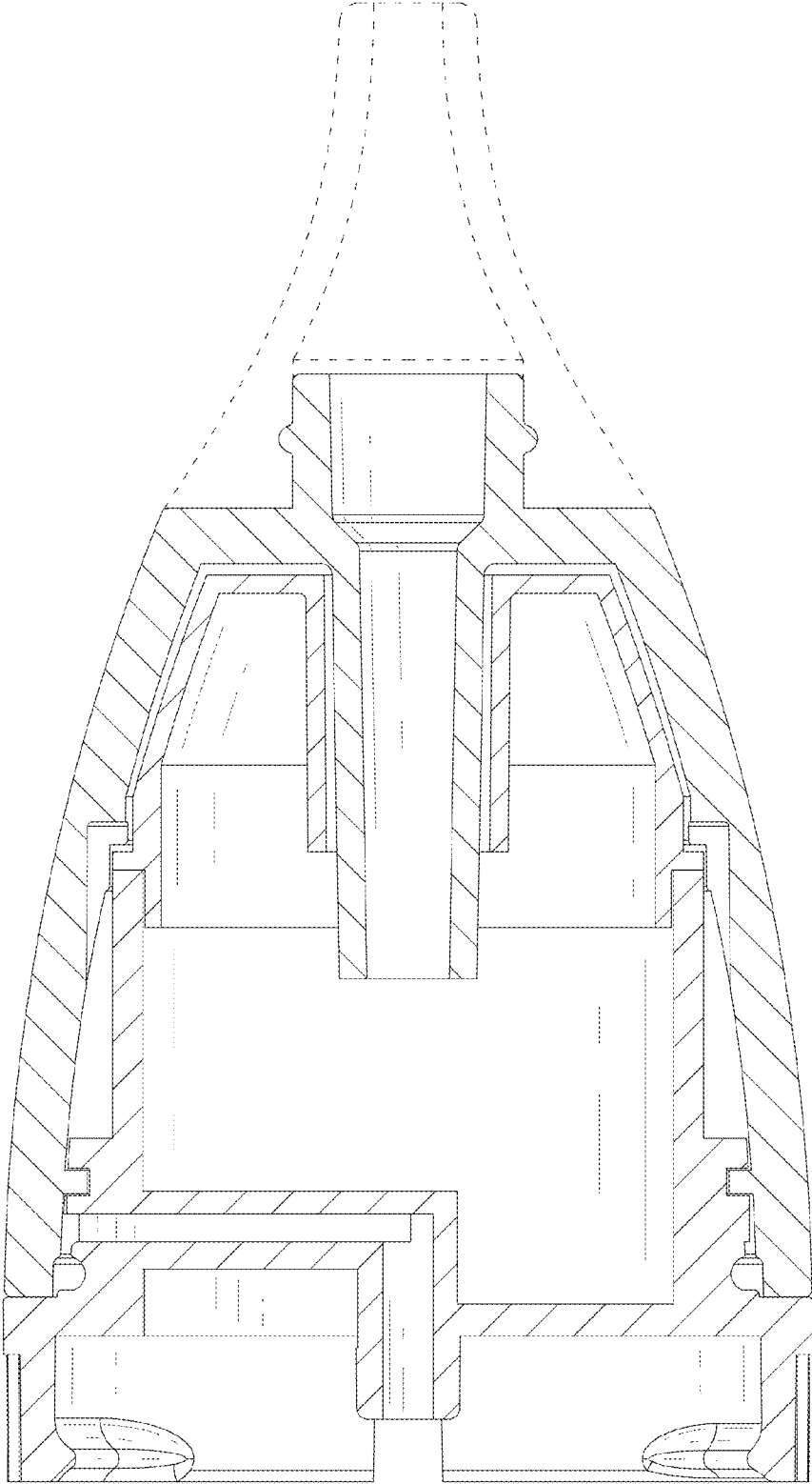


FIG.8

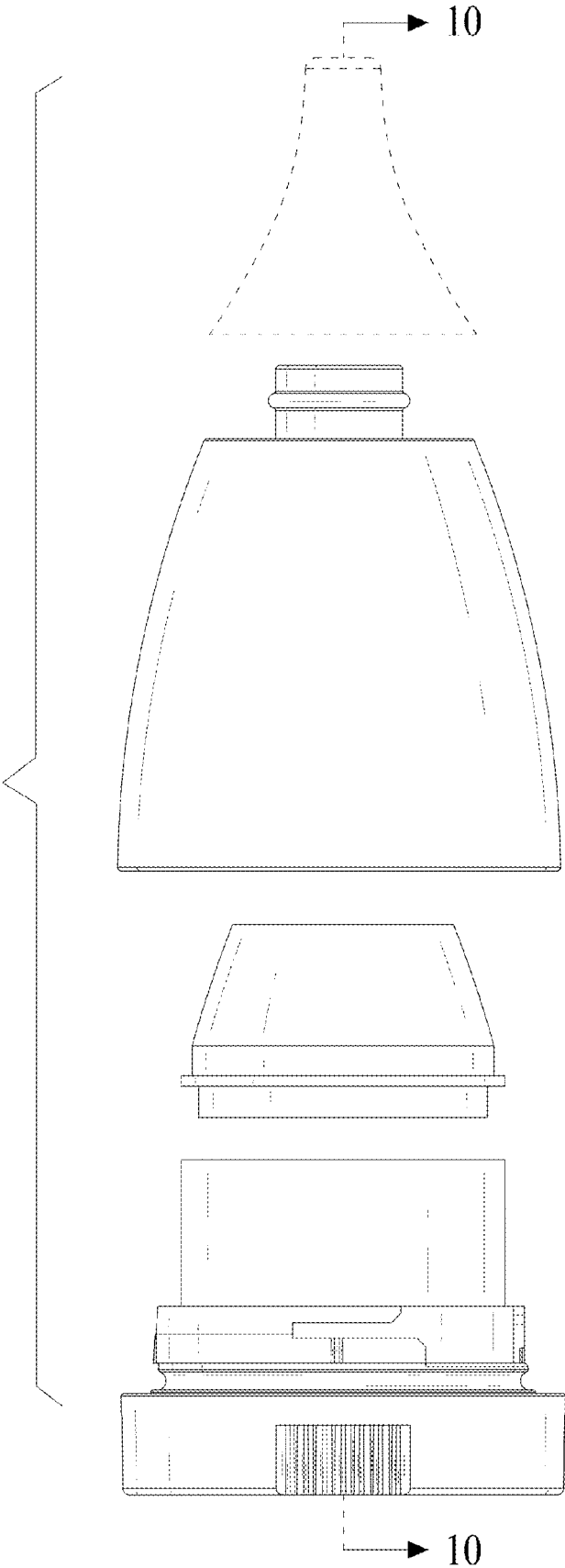


FIG.9

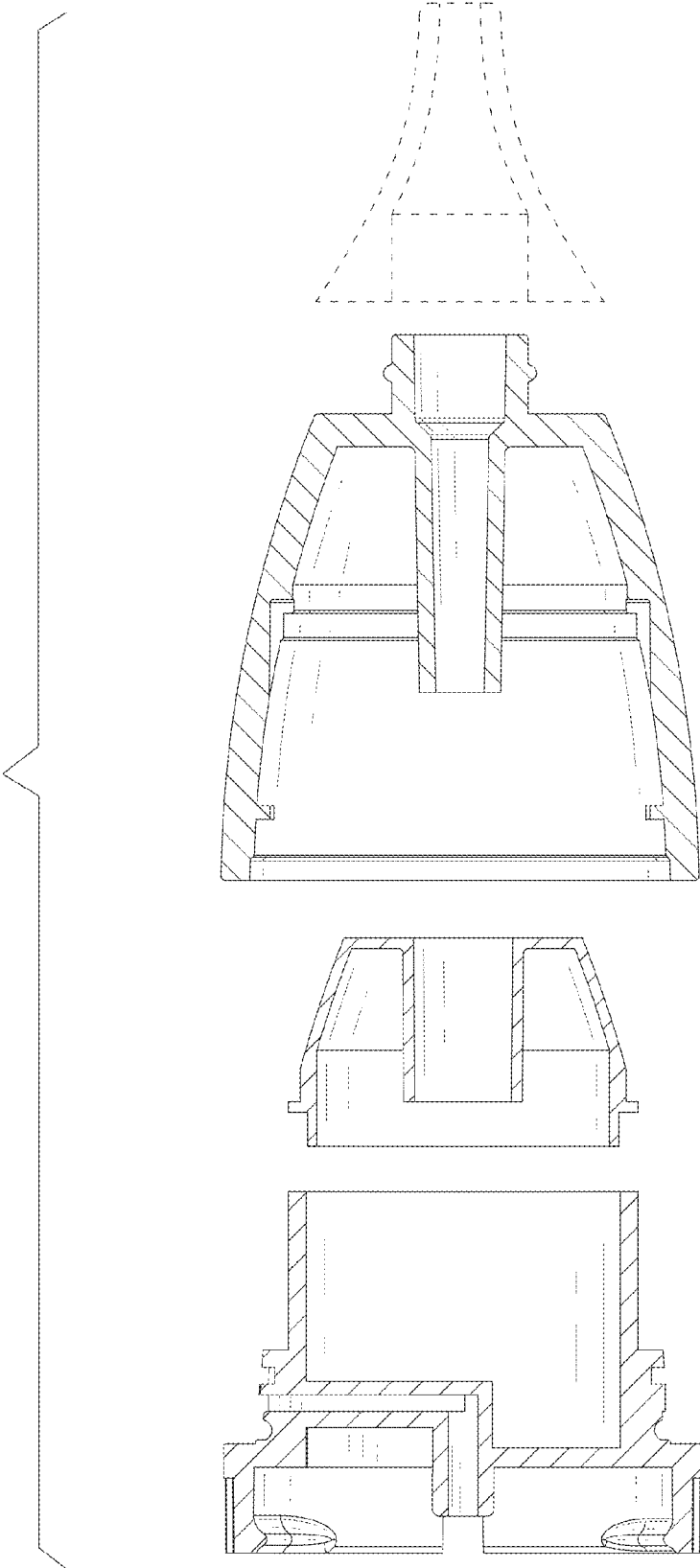


FIG.10

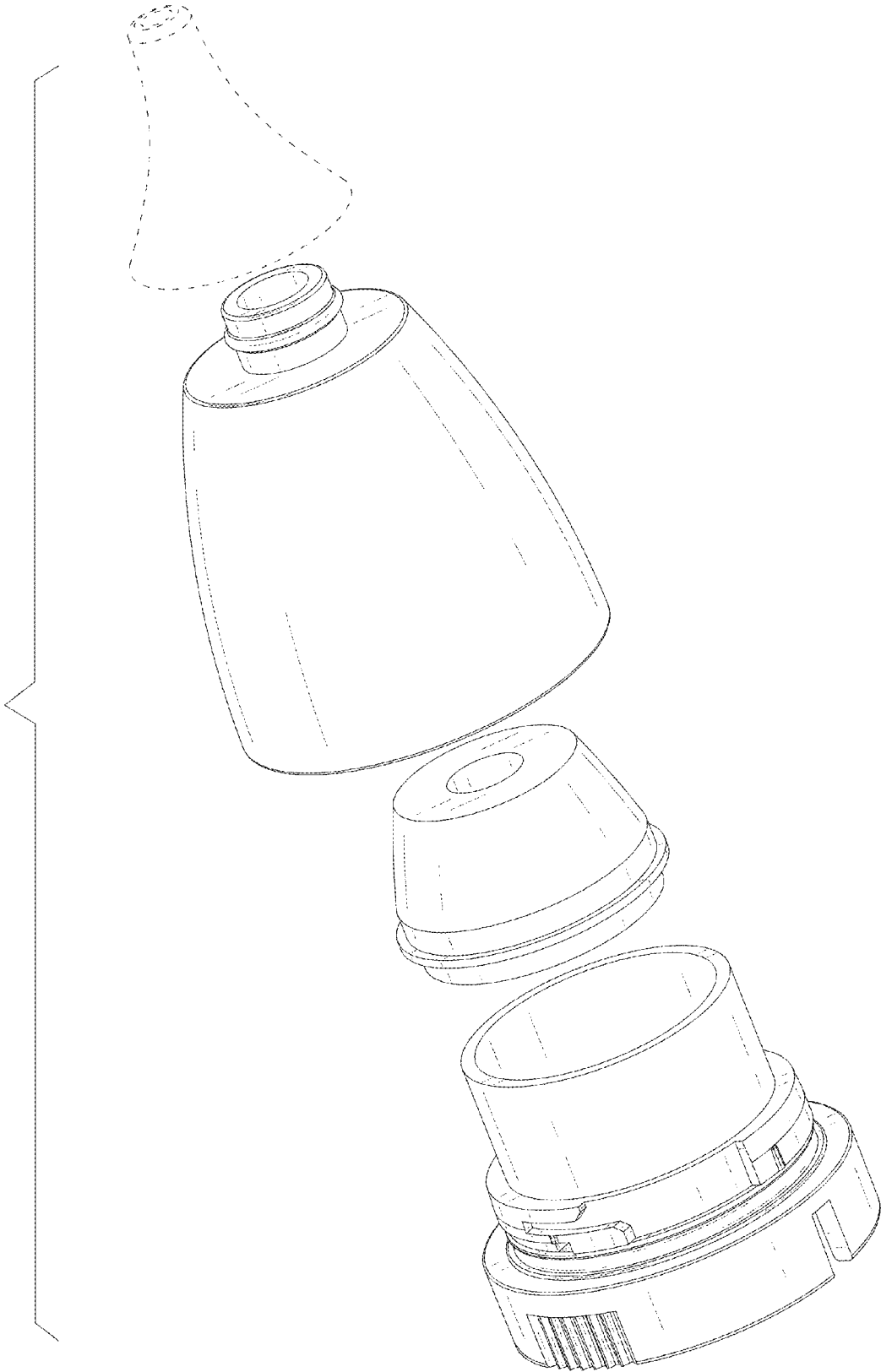


FIG.11

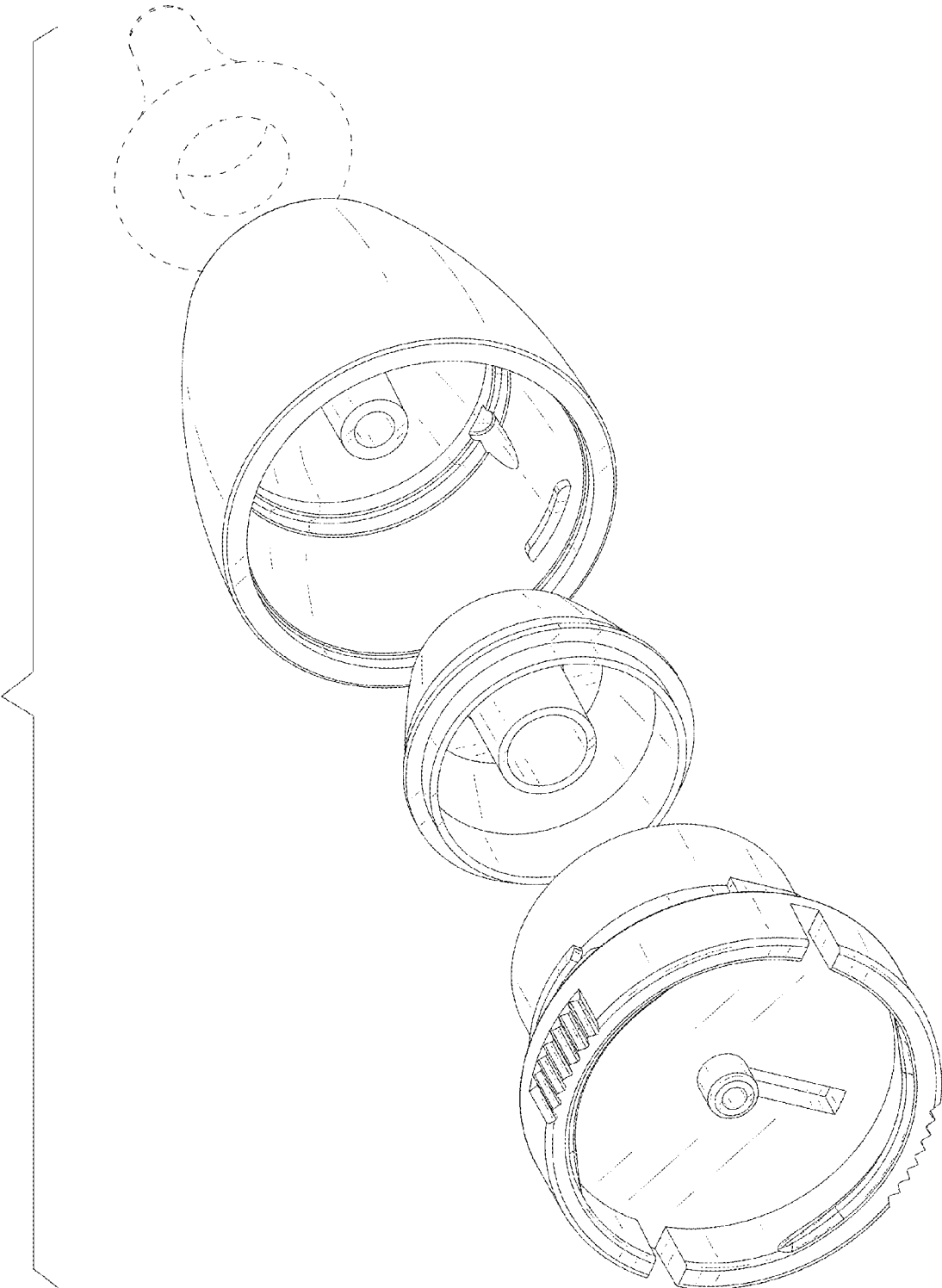


FIG.12

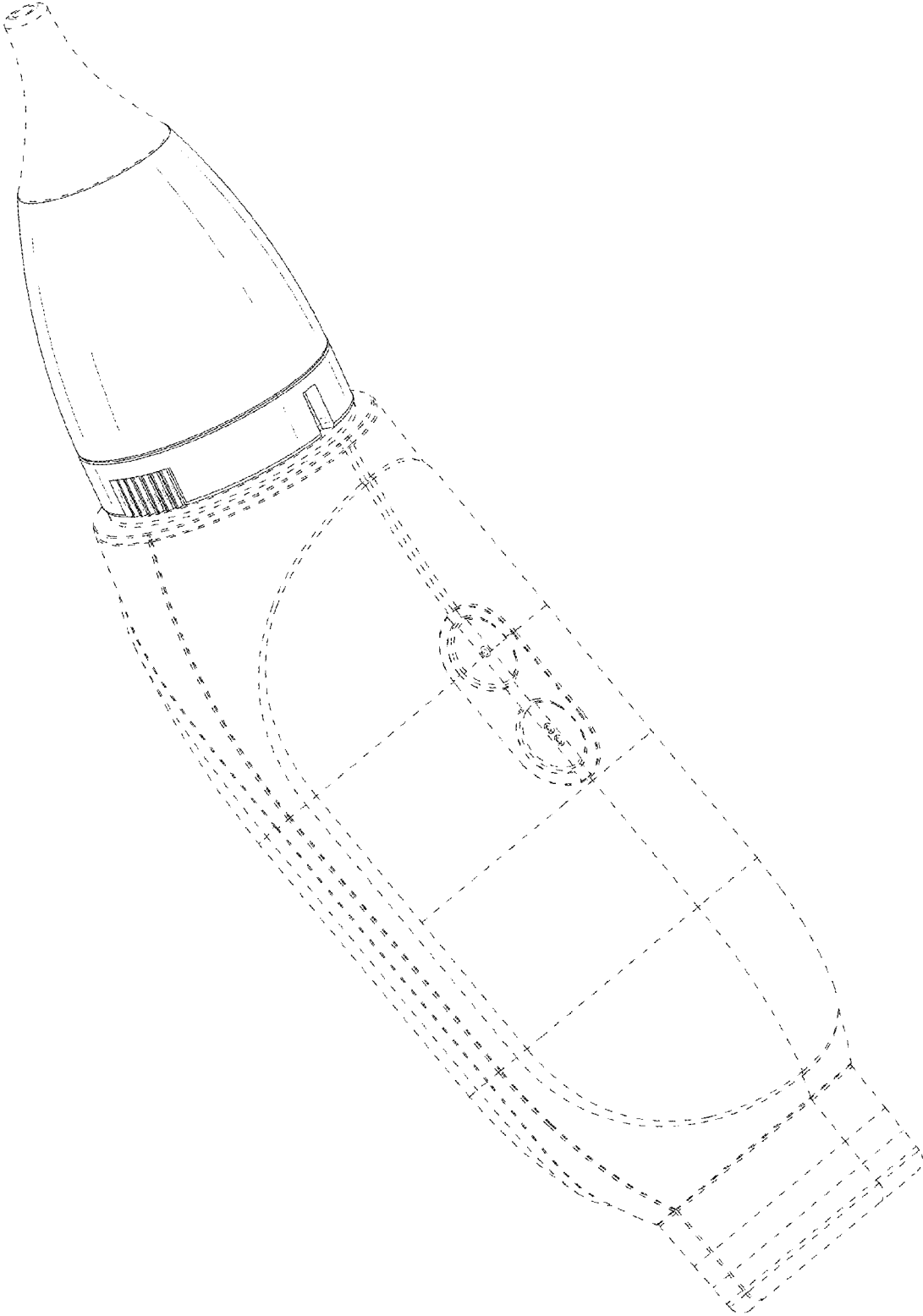


FIG.13

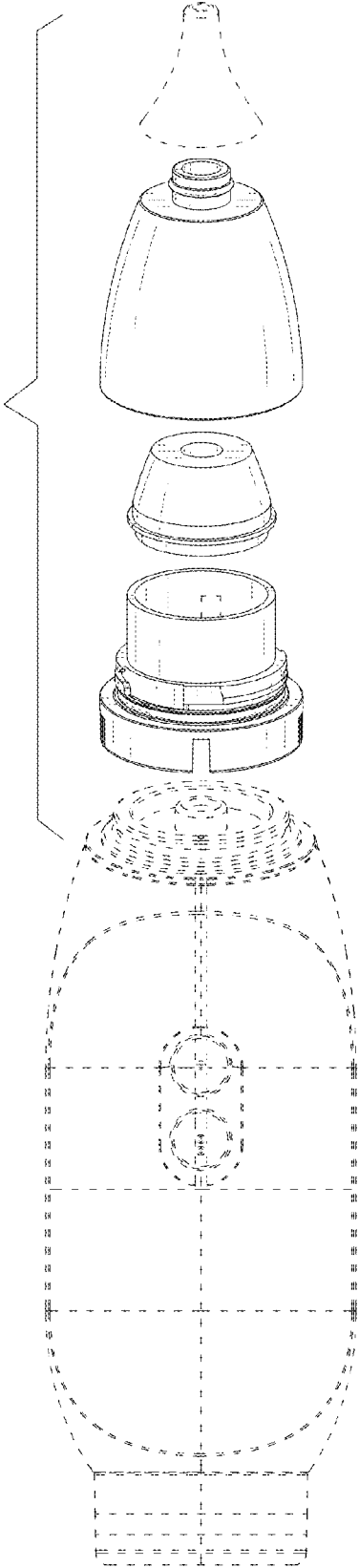


FIG.14