



US0D1083282S

(12) **United States Design Patent**
Donahue

(10) **Patent No.:** **US D1,083,282 S**

(45) **Date of Patent:** **** Jul. 8, 2025**

- (54) **MODULAR VASE**
- (71) Applicant: **CEMETERY HELPERS, LLC**,
Hollywood, FL (US)
- (72) Inventor: **Holly R. Donahue**, Hollywood, FL
(US)
- (**) Term: **15 Years**
- (21) Appl. No.: **29/970,477**
- (22) Filed: **Oct. 29, 2024**

2,241,463	A *	5/1941	Keller	A47G 7/06
					47/41.01
2,424,235	A *	7/1947	Hoffer	B29C 45/26
					249/102
2,482,278	A *	9/1949	Koerner	A47G 7/06
					248/225.11
2,496,792	A *	2/1950	Hellberg	A47J 31/4407
					248/346.03
2,704,444	A *	3/1955	Carew	A47G 23/0216
					215/377
2,754,625	A *	7/1956	Rasmussen	A47G 7/06
					47/41.1

(Continued)

FOREIGN PATENT DOCUMENTS

GB 6372471 * 6/2024

Primary Examiner — Paula Allen Greene

(74) *Attorney, Agent, or Firm* — Jon Gibbons; Fleit
Intellectual Prope

- Related U.S. Application Data**
- (62) Division of application No. 29/846,089, filed on Jul. 13, 2022, now Pat. No. Des. 1,049,545.
 - (51) **LOC (15) Cl.** **99-00**
 - (52) **U.S. Cl.**
USPC **D99/19**
 - (58) **Field of Classification Search**
USPC D99/19, 18, 5, 17; D11/164, 146, 142,
D11/130; D7/620, 523, 619.1; D20/10,
D20/41; D21/753; 40/124.5, 647;
47/41.11; 248/545; 52/104; 220/475
CPC A61G 17/00; A61G 17/08; A47G 7/06;
A47G 23/00; B65D 25/00; B65D 25/02
See application file for complete search history.

(57) **CLAIM**

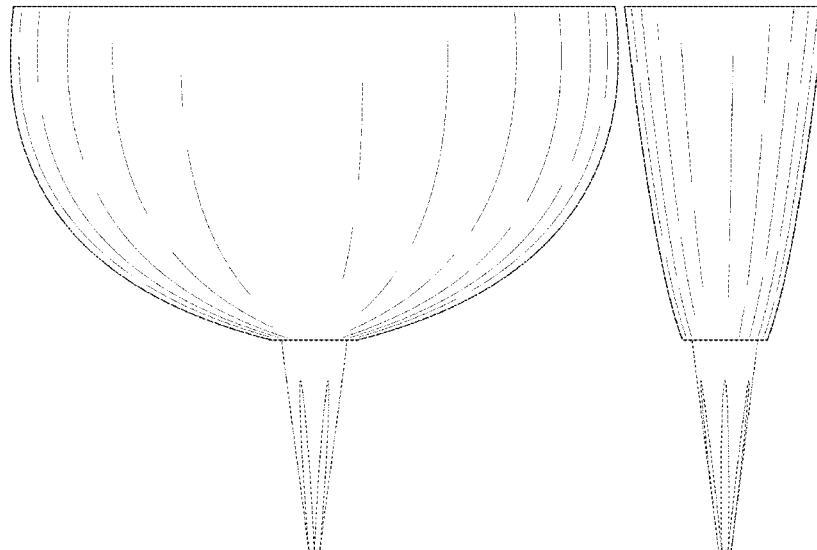
The ornamental design for modular vase as shown and described.

DESCRIPTION

FIG. 1 is a perspective view of the modular vase;
 FIG. 2 is a front elevational view thereof;
 FIG. 3 is a rear elevational view thereof;
 FIG. 4 is a left side elevational view thereof;
 FIG. 5 is a right side elevational view thereof;
 FIG. 6 is a top plan view thereof;
 FIG. 7 is a bottom plan view thereof;
 FIG. 8 is a perspective explosion view with a first bottom piece thereof; and,
 FIG. 9 is a perspective explosion view with a second bottom piece thereof.
 Broken lines shown in the figures form no part of the claimed design.

- (56) **References Cited**
- U.S. PATENT DOCUMENTS**
- | | | | | | |
|-----------|-----|---------|-----------|-------|-------------|
| 1,326,086 | A * | 12/1919 | Ormandy | | B60N 3/102 |
| | | | | | 220/17.1 |
| 1,400,970 | A * | 12/1921 | Norman | | E04H 13/003 |
| | | | | | 40/124.5 |
| 1,874,185 | A * | 8/1932 | Goldstein | | A47G 7/06 |
| | | | | | 248/156 |
| 1,879,220 | A * | 9/1932 | Harmony | | A01G 9/02 |
| | | | | | 248/156 |
| 1,986,468 | A * | 1/1935 | Farmer | | B60T 15/46 |
| | | | | | 303/64 |

1 Claim, 8 Drawing Sheets



(56)

References Cited

U.S. PATENT DOCUMENTS

2,997,199	A *	8/1961	Reachi	A47G 7/06	5,586,647	A *	12/1996	Barta	A47G 19/2261
				220/630					206/217
3,001,326	A *	9/1961	O'Brien	E04H 13/003	D396,383	S *	7/1998	Hanson	D7/620
				D99/19	D416,514	S *	11/1999	Koo	D11/164
3,066,447	A *	12/1962	Reiterer	A01G 9/124	6,067,748	A *	5/2000	Williams	A47G 7/06
				52/155					47/41.01
3,134,523	A *	5/1964	Hostetter	A47G 19/2266	6,128,855	A *	10/2000	Salamh	A47G 7/06
				222/572					47/41.01
3,142,934	A *	8/1964	Mehling	A47G 7/06	6,149,119	A *	11/2000	O'Connell	A47G 19/2205
				D99/19					248/156
3,229,948	A *	1/1966	King	E04H 13/003	D440,733	S *	4/2001	Williams	D99/19
				248/346.03	D500,703	S *	1/2005	Giampavolo	D11/146
3,297,289	A *	1/1967	La Raus	B65D 61/00	6,898,879	B2 *	5/2005	Regelin	G09F 3/12
				248/152					52/103
D208,097	S *	7/1967	Henr	D7/558	D549,525	S *	8/2007	Kozel	D7/620
3,328,914	A *	7/1967	Newman	A47G 7/06	D551,502	S *	9/2007	Bodum	D7/509
				47/41.1	D572,625	S *	7/2008	Doan	D11/146
3,456,660	A *	7/1969	Borchardt	E04H 15/62	7,793,462	B1 *	9/2010	Sherette	A47G 7/06
				135/118					428/34.1
3,482,731	A *	12/1969	Douty	B65D 25/24	D626,790	S *	11/2010	Gibson	D7/584
				215/377	7,861,888	B2 *	1/2011	Niedzwiecki	A47G 19/2255
3,541,727	A *	11/1970	Carlson	A47G 7/06					206/520
				47/41.1	D657,633	S *	4/2012	Butler	D7/620
4,204,598	A *	5/1980	Adams	A47G 7/06	8,307,584	B2 *	11/2012	Karenbauer	E04H 13/001
				248/152					52/103
D265,746	S *	8/1982	Robillard	D20/41	D705,013	S *	5/2014	Audibert	D7/620
D279,260	S *	6/1985	Fortuna	D9/500	9,051,082	B1 *	6/2015	Klinge	A47G 19/2205
D285,504	S *	9/1986	Messer	D6/300	D834,375	S *	11/2018	Garipalli	A47G 19/2255
4,659,049	A *	4/1987	Watson	A47G 23/0225					D7/524
				248/346.11	D842,216	S *	3/2019	Tovey	D12/401
4,723,745	A *	2/1988	Conway	G09F 23/06	11,692,368	B2 *	7/2023	Currie	A47G 7/07
				428/40.1					47/41.11
D297,319	S *	8/1988	Carlson	D11/143	D1,026,568	S *	5/2024	McNaughton	D7/619.1
4,870,781	A *	10/1989	Jones	A01G 17/04	D1,049,545	S *	10/2024	Donahue	D99/19
				248/27.8	2005/0022433	A1 *	2/2005	Regelin	G09F 3/12
D320,493	S *	10/1991	Fewell	D11/146					40/124.5
5,222,703	A *	6/1993	Ricciardelli	A63B 55/50	2008/0179341	A1 *	7/2008	Kozel	A45F 3/44
				248/156					220/737
5,279,072	A *	1/1994	Garbo	A01G 5/04	2016/0047138	A1 *	2/2016	McCaslin	A47G 7/06
				47/41.14					52/103
5,322,254	A *	6/1994	Birkmeier	A47G 7/06	2017/0172072	A1 *	6/2017	Jablonski	A01G 17/04
				248/231.9	2017/0283134	A1 *	10/2017	Meyers	A47G 19/2288
					2017/0283143	A1 *	10/2017	Nicks	B65D 65/466

* cited by examiner



FIG. 1

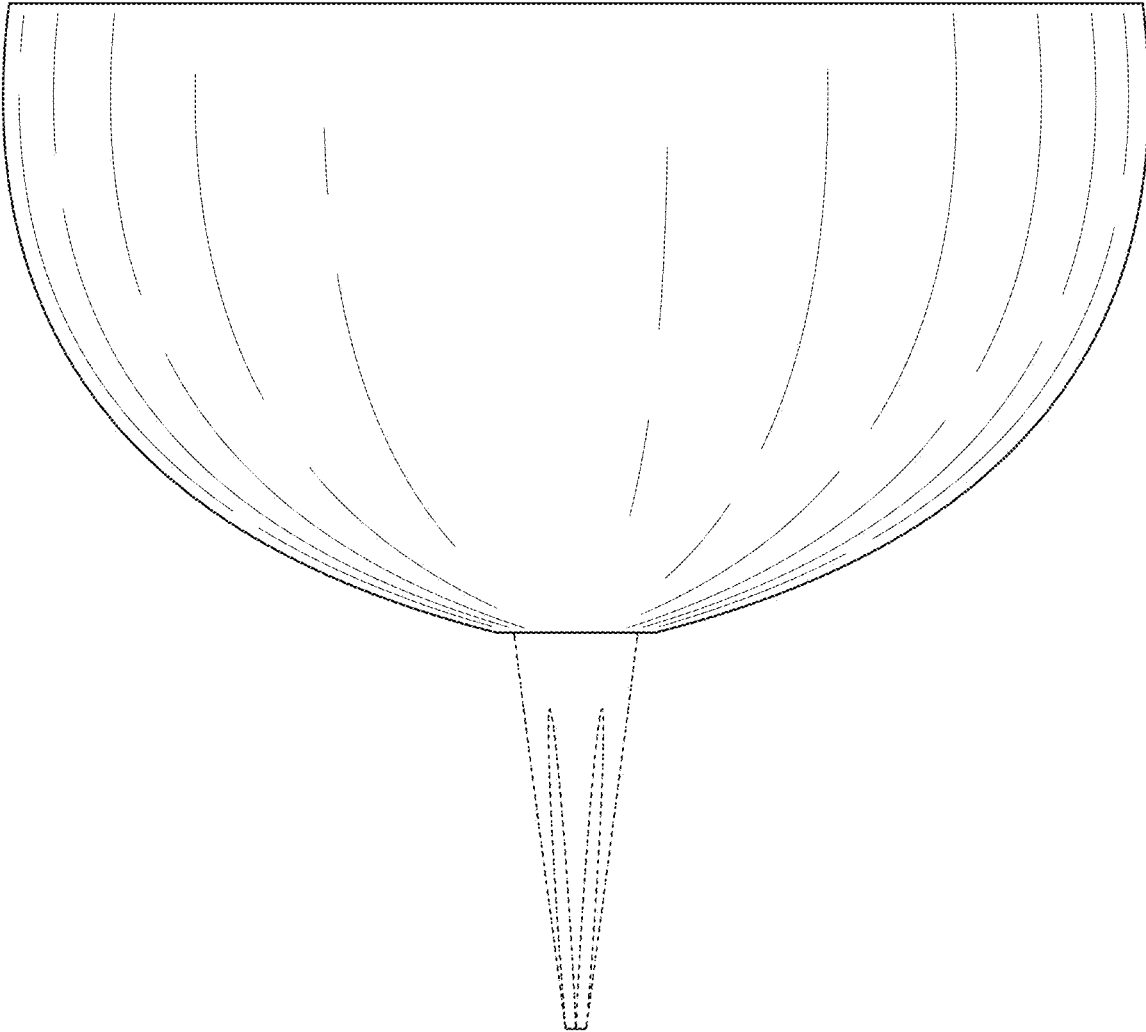


FIG. 2

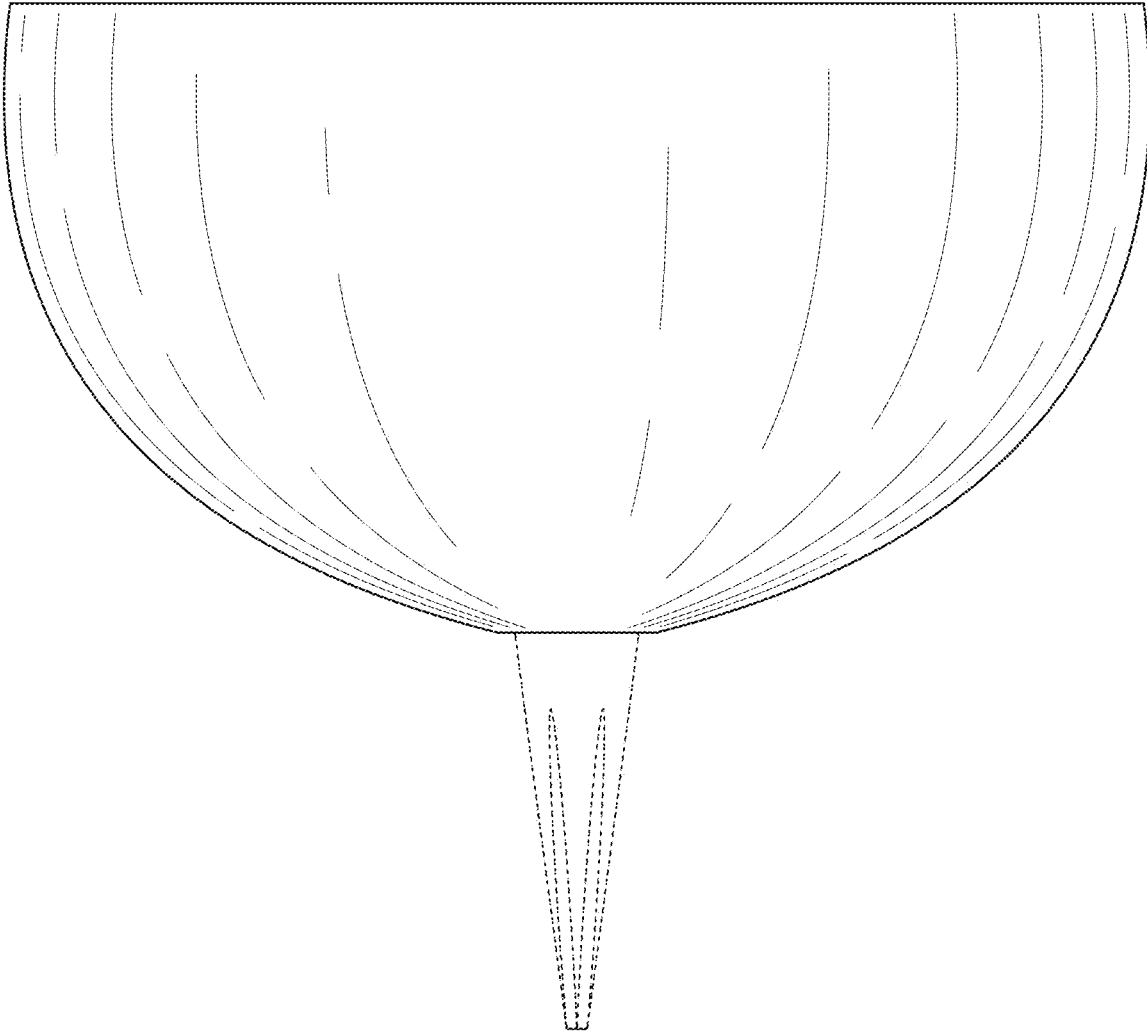


FIG. 3

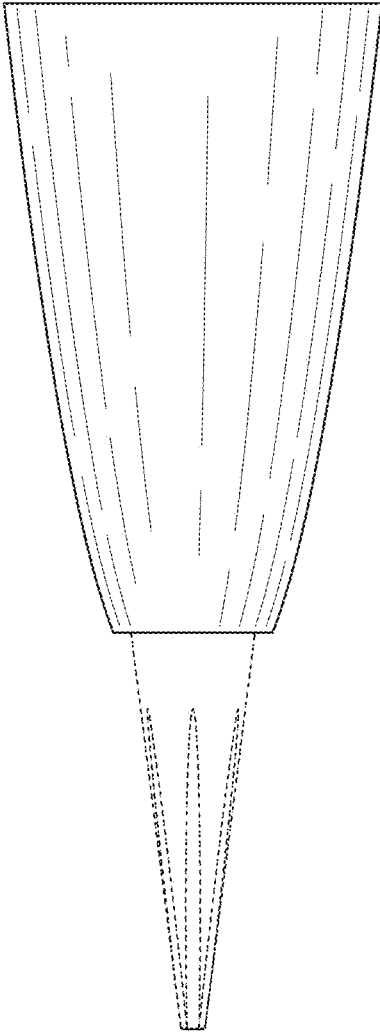


FIG. 4

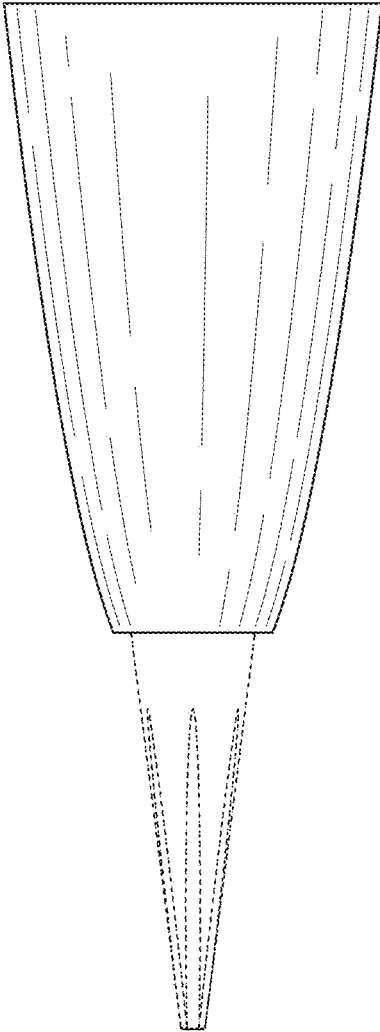


FIG. 5

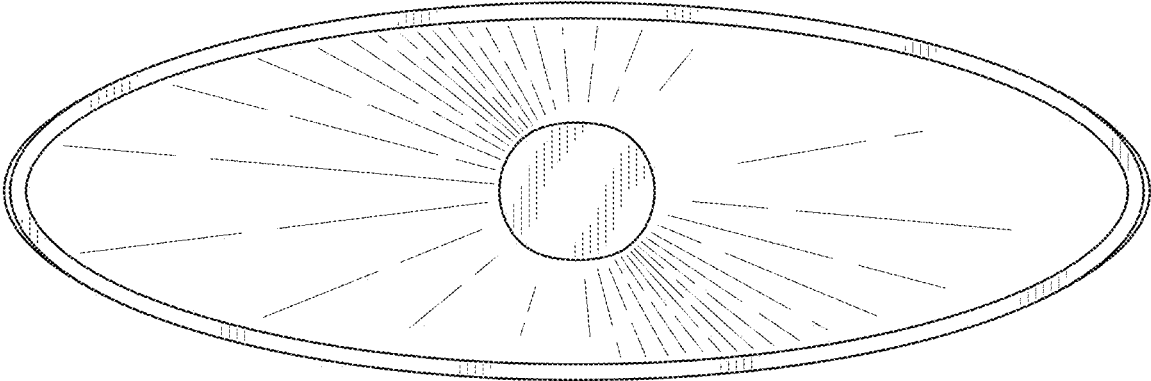


FIG. 6

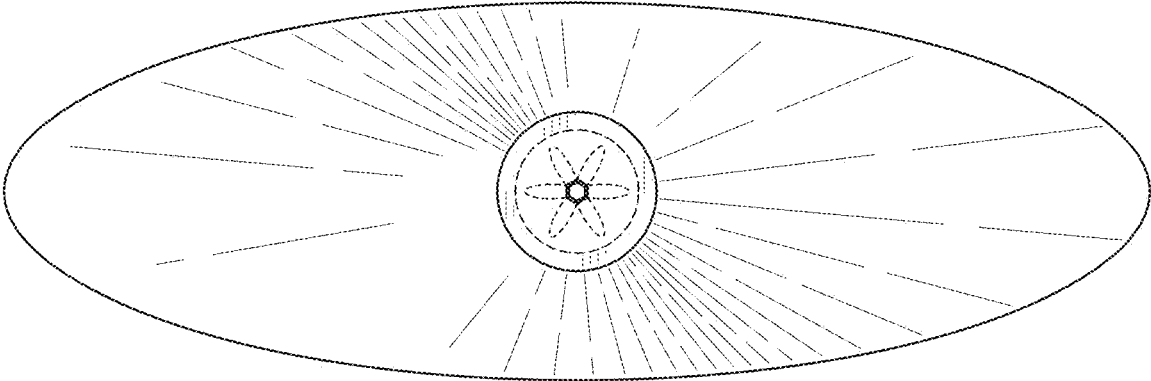


FIG. 7

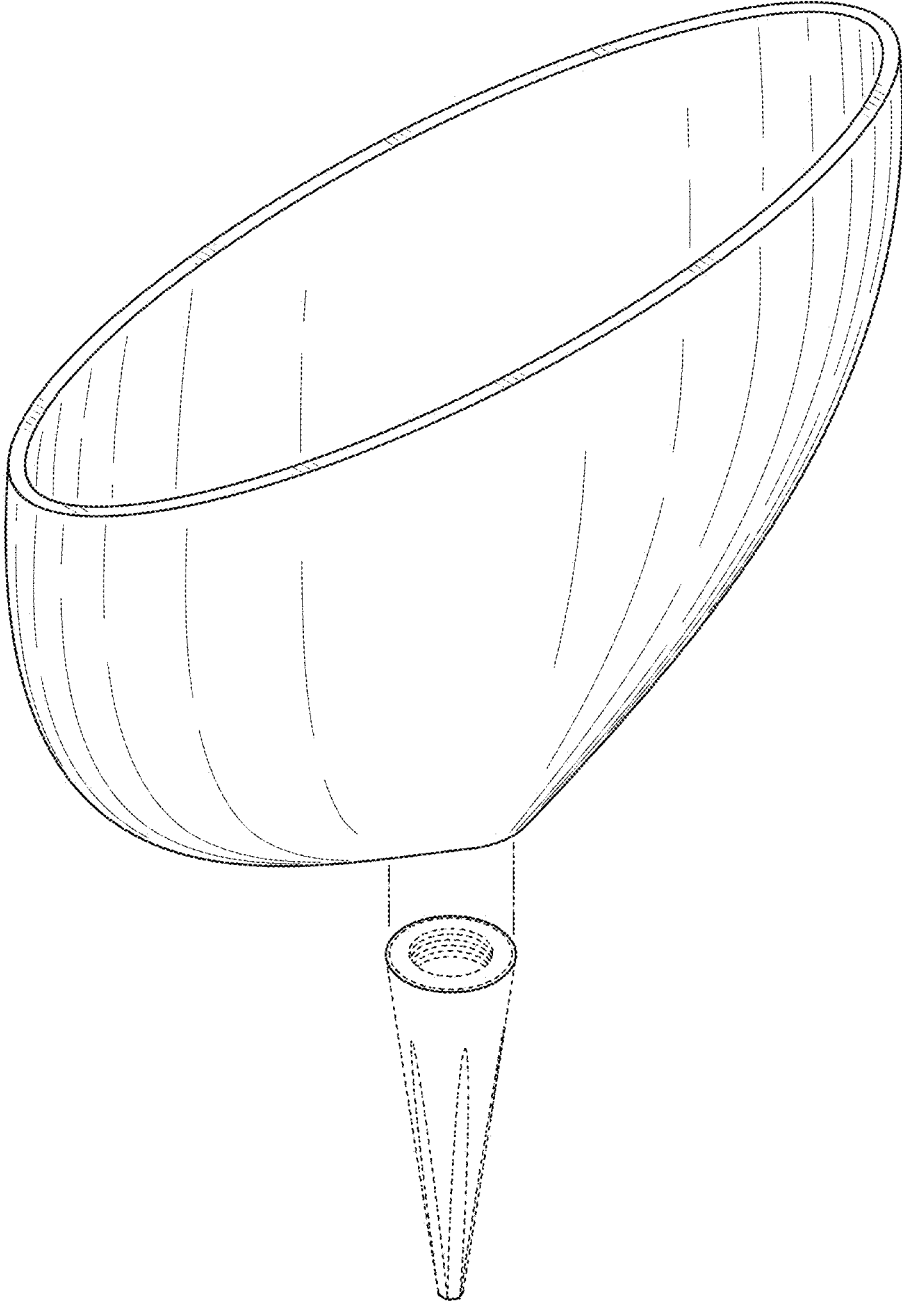


FIG. 8

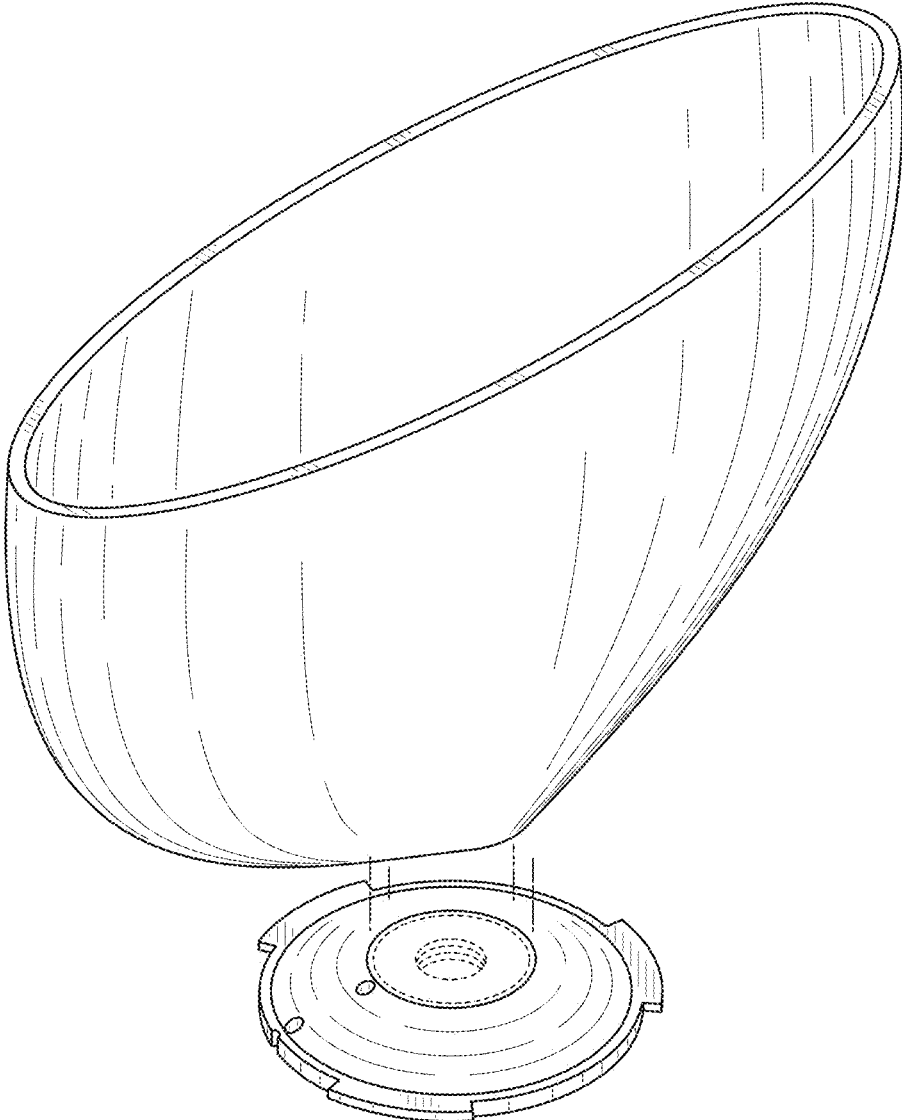


FIG. 9